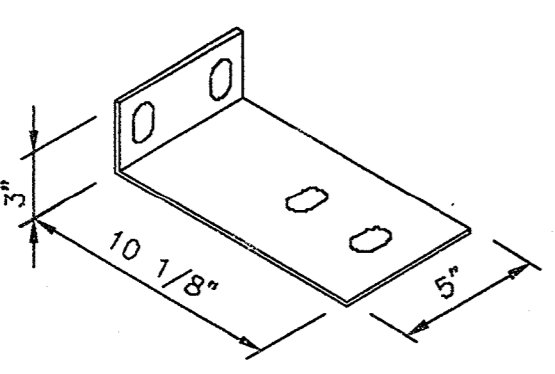
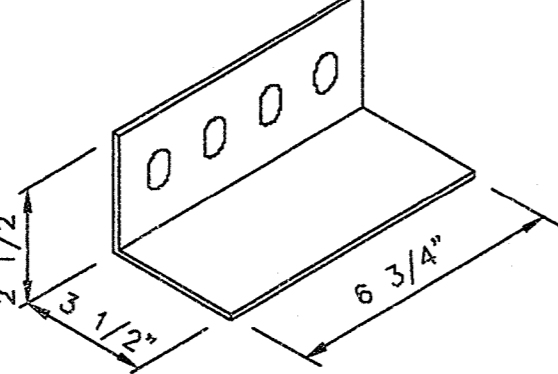
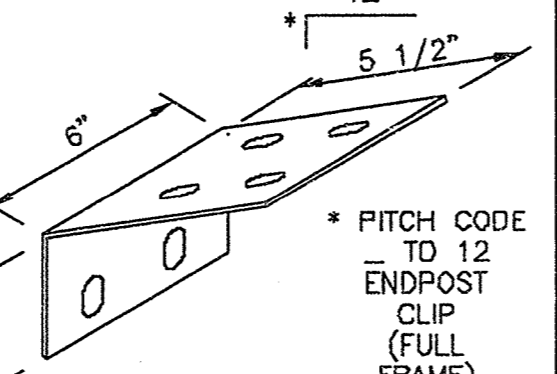
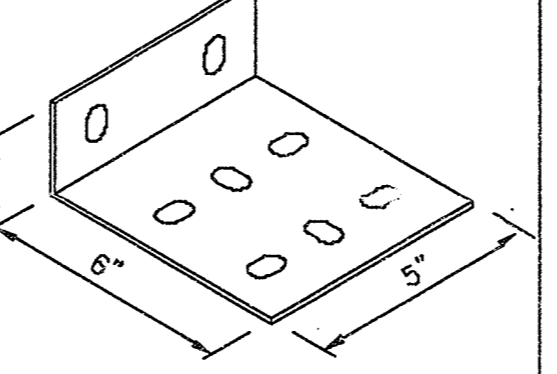
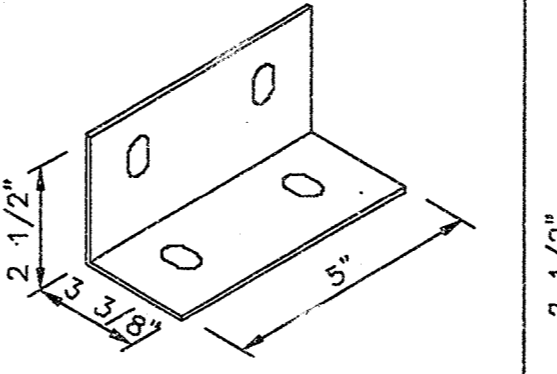
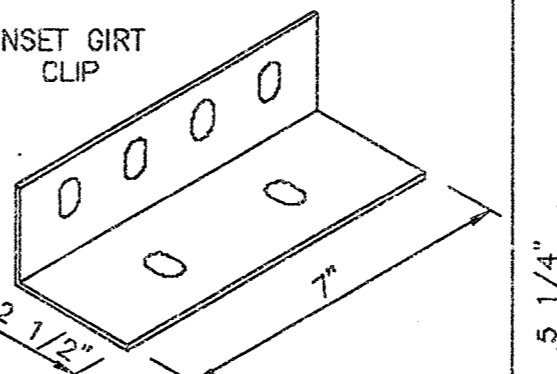
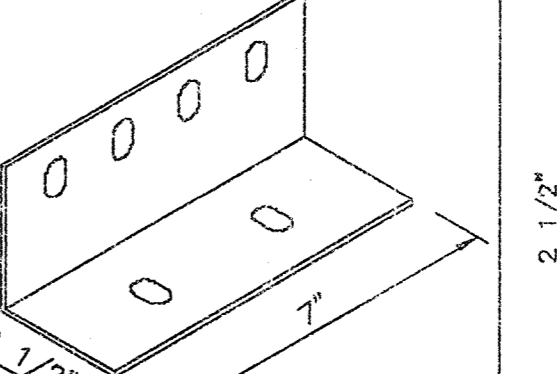
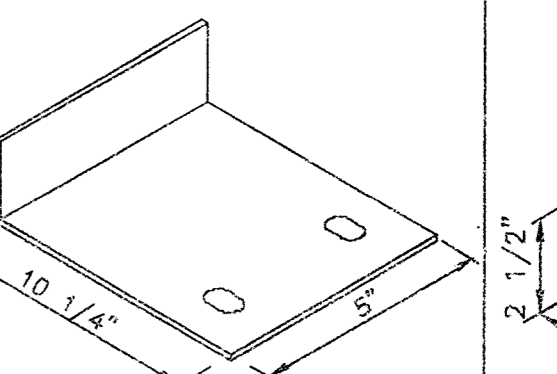
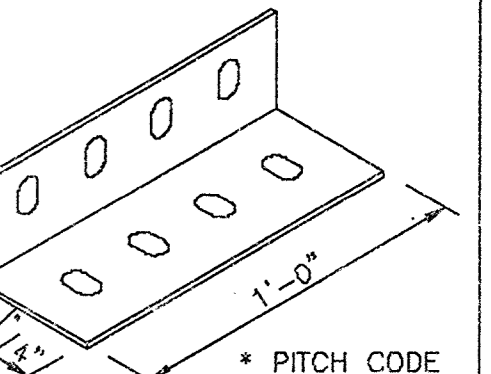
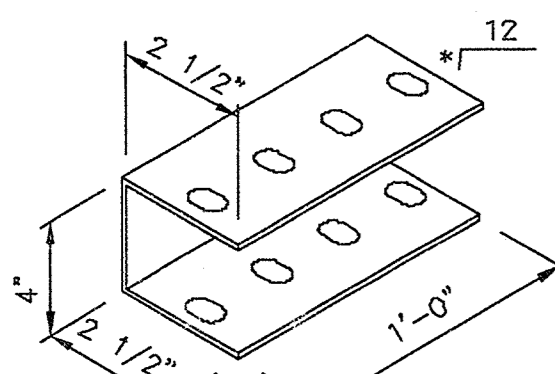
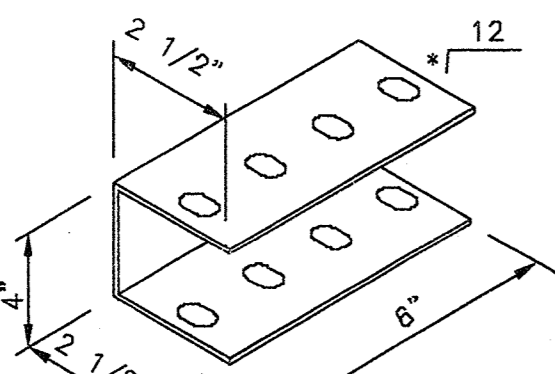
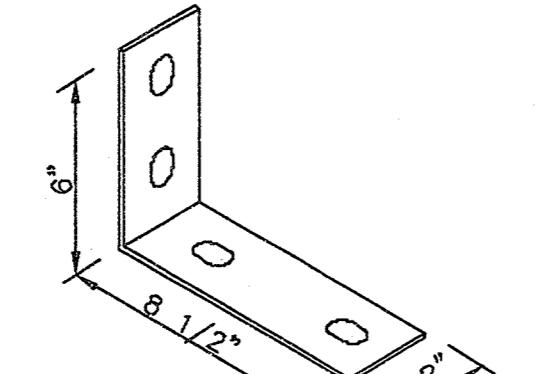
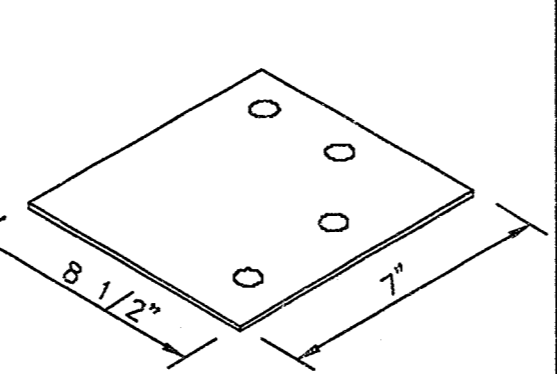
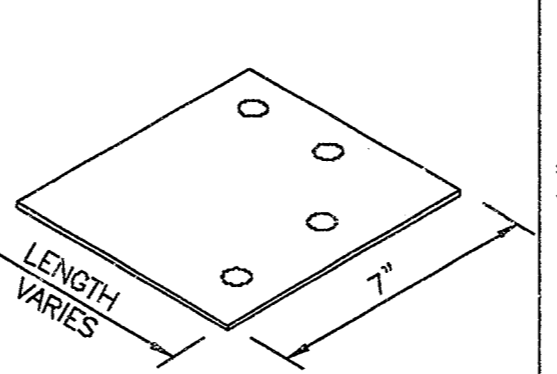
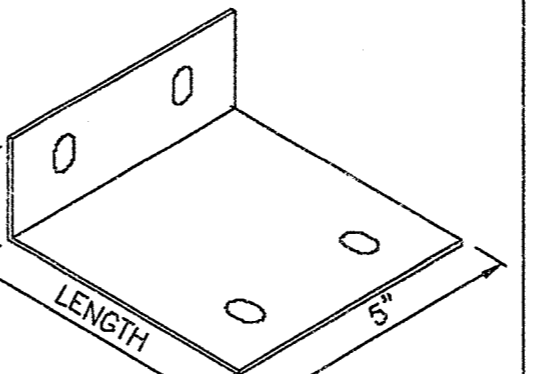
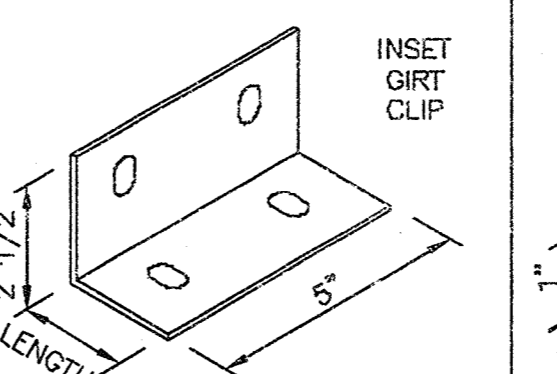
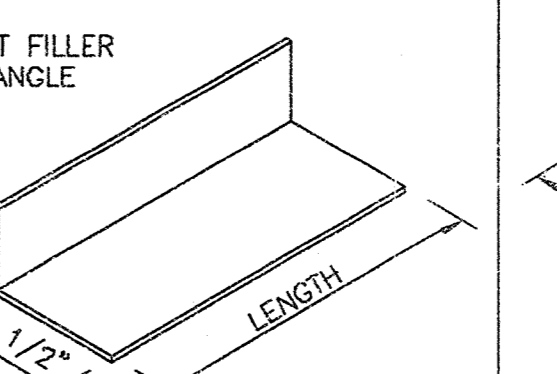
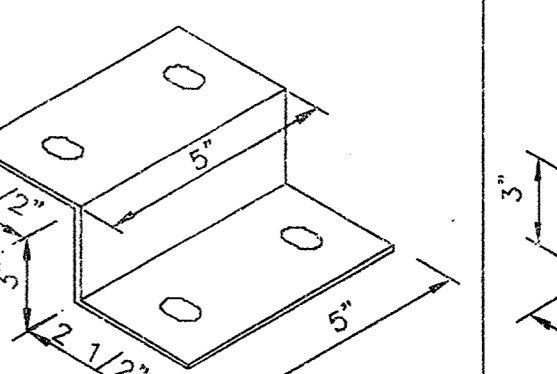
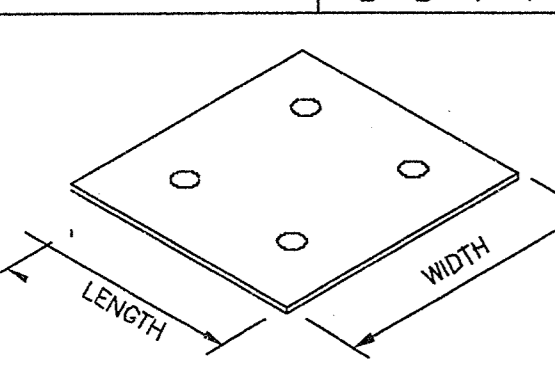
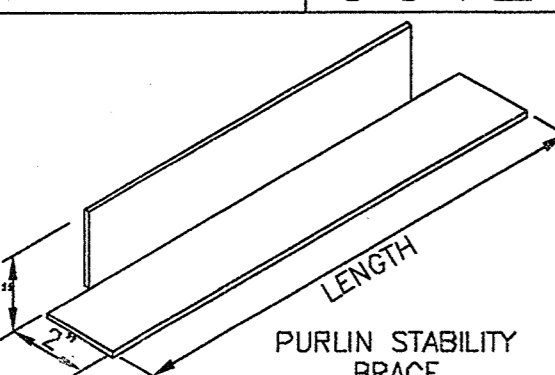
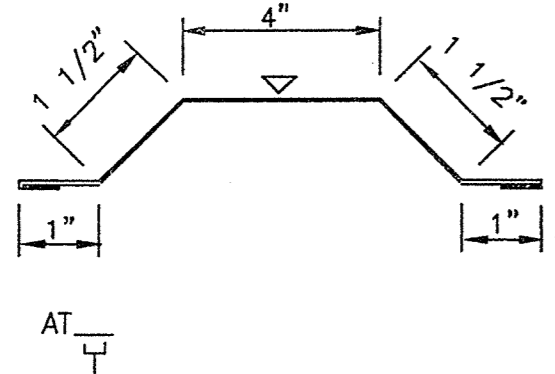
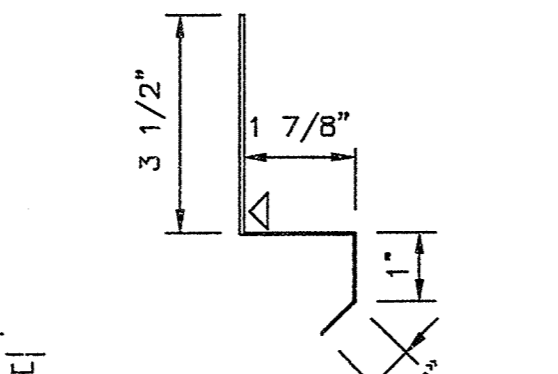
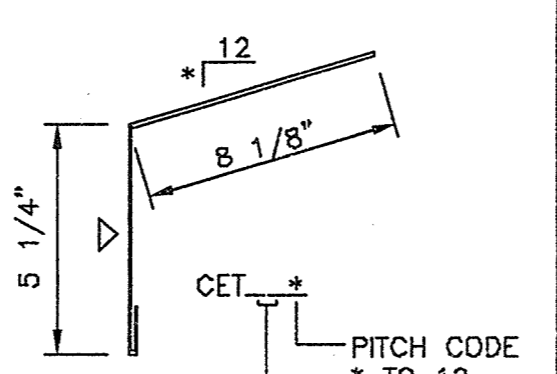
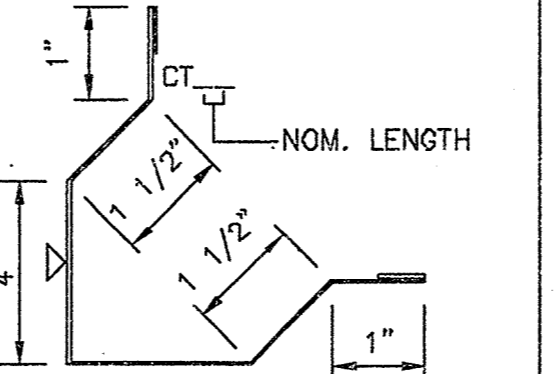
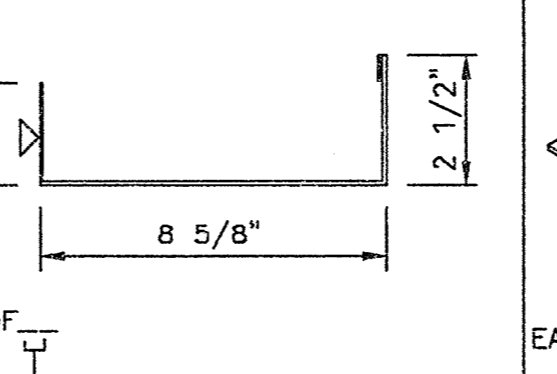
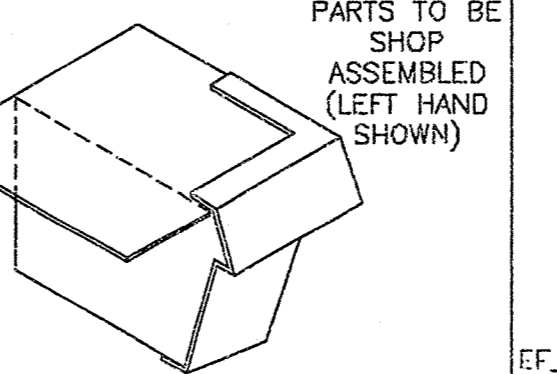
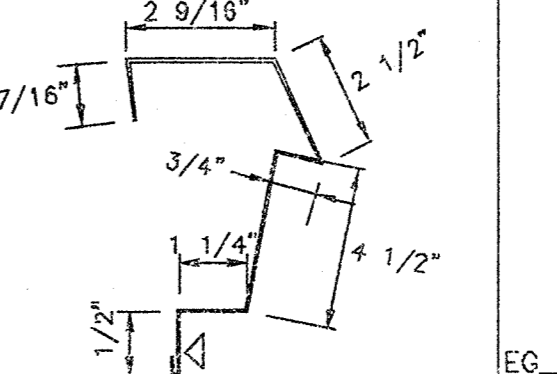
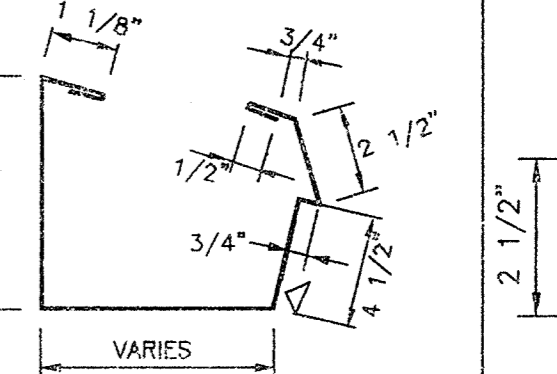
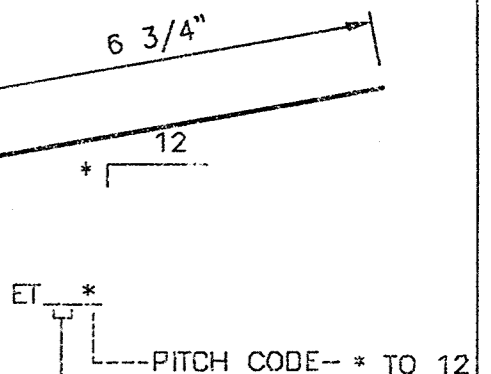
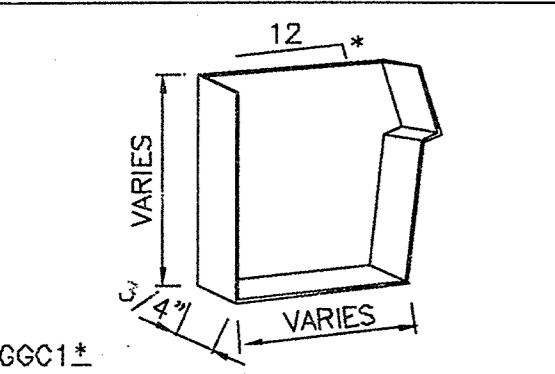
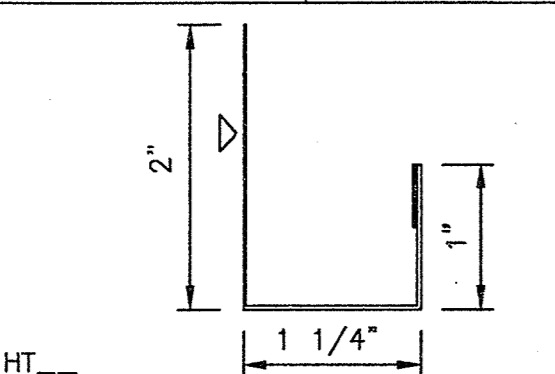
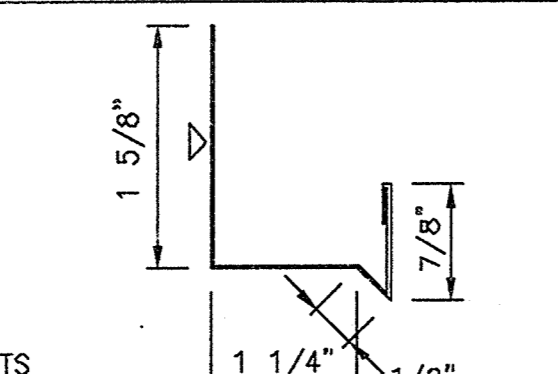
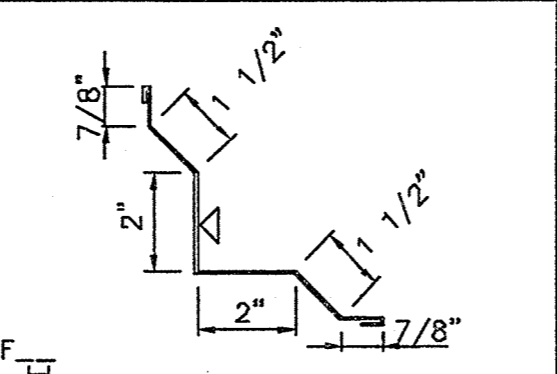
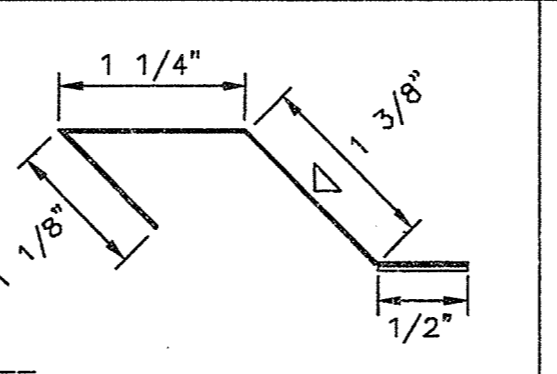
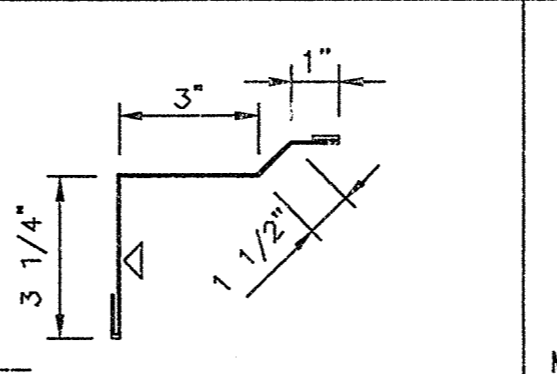
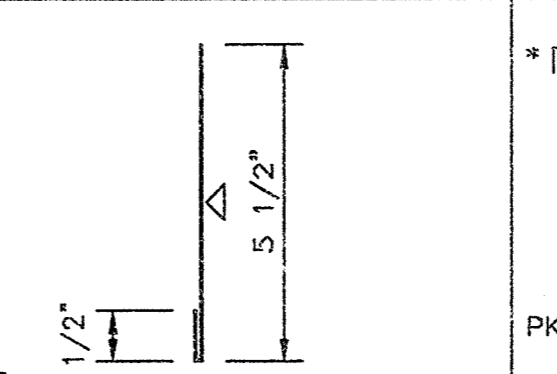
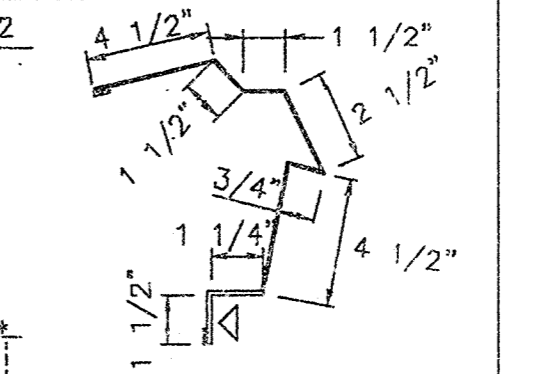
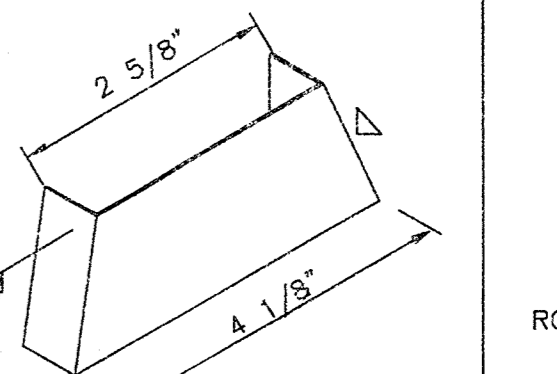
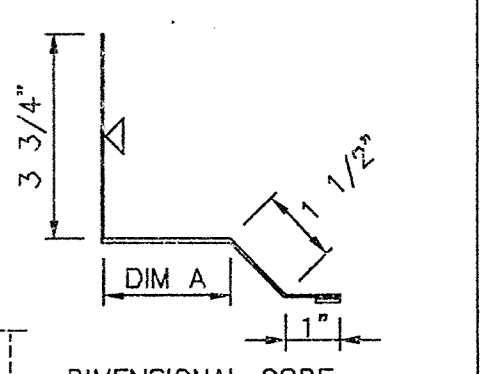
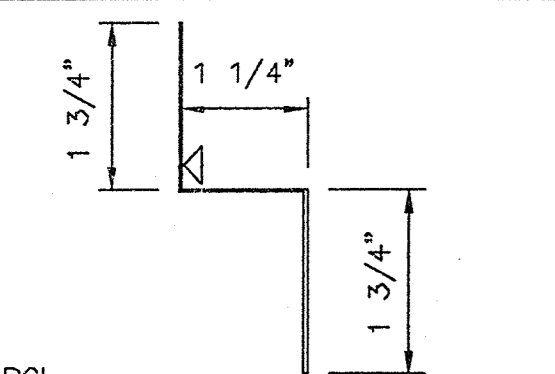
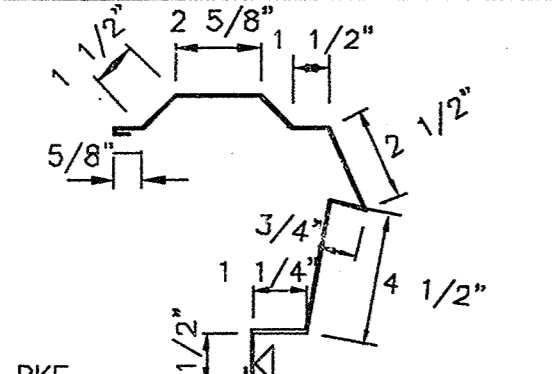
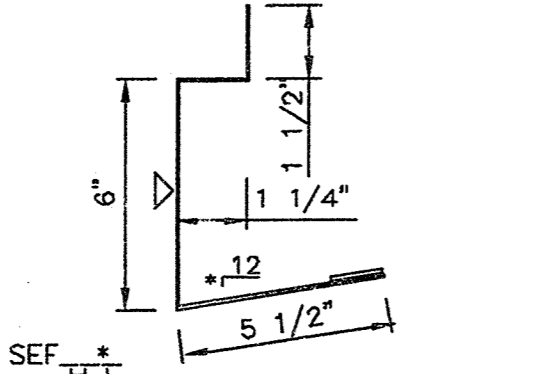
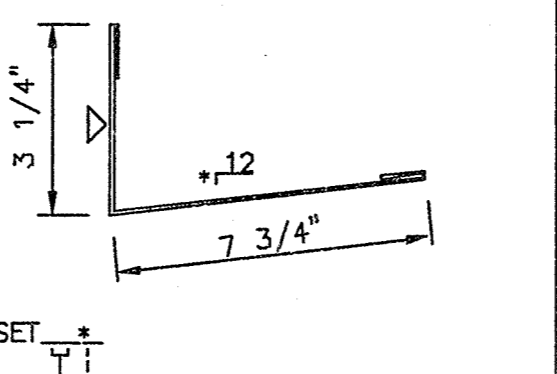
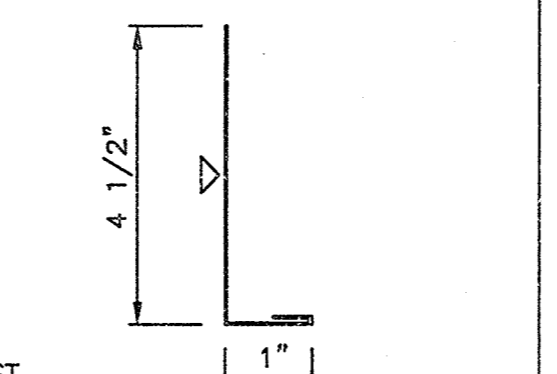
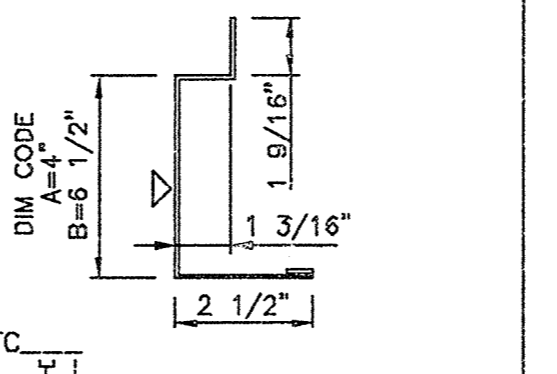
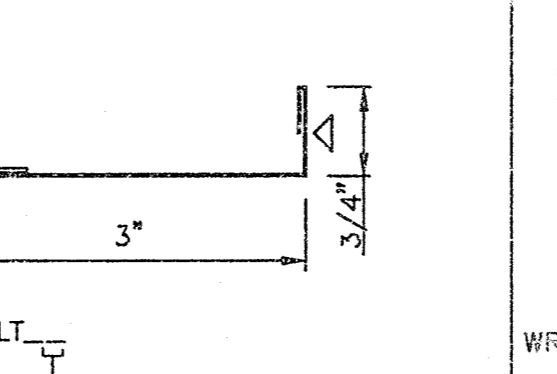
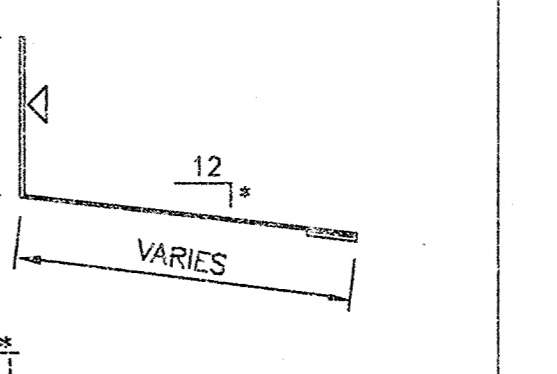


STANDARD CLIPS									
KEY TO MARK NUMBERS REFER TO EN50A1									
	DOOR JAMB CLIP (OUTSET) DJC1	DOOR JAMB CLIP (INSET) DJC2*	* PITCH CODE TO 12 ENDPOST CLIP (FULL FRAME) FFC *	OUTSET GIRT CLIP GC4	INSET GIRT CLIP GC5	INSET GIRT CLIP GC6	INSET GIRT CLIP GC8	CORNER COL. CONN. TO RAKE CHANNEL GC9	OUTSET GIRT CLIP (FULL FRAME) GC10*
									
GIRT CONN. CLIP (OUTSET) GC11*	GIRT CONN. CLIP (INSET) GC12*	PURLIN CONN. CLIP GC16	OUTSET GIRT CORNER CLIP GCC072084	OUTSET GIRT CORNER CLIP (GEN.) GCC_	INSET GIRT CORNER CLIP GCD_	INSET GIRT CLIP GCE_	GIRT CONN. CLIP TO EAVE PURLIN GPC1	JAMB BASE CLIP JBC1	
									
JAMB TO COL. CONN. PLATE JC_	PURLIN STABILITY BRACE PSB_								

STANDARD TRIM									
TRIM COLOR NOTE △ DESIGNATES COLOR SIDE									
	ADAPTOR TRIM AT_	BASE TRIM BT_	CANOPY EAVE TRIM CET_	CORNER TRIM CT_	DOOR FLASHING DF_	EAVE ASSEMBLY EA_	EAVE FASCIA EF_	EAVE GUTTER EG_	EAVE TRIM ET_
									
GUTTER CLOSURE GGC_	HEADER TRIM HT_	HEADER TRIM HTS_	INSIDE CORNER TRIM ICF_	JAMB TRIM JT_	MASONRY TRIM MS_	MASONRY EAVE TRIM MT_	PEAK FASCIA PKF_	PANEL RIB FILLER PRF1	ROOF HEIGHT CHANGE FLASHING RCF_
									
RAKE CLOSURE RCL_	RAKE FASCIA RKF_	SOFFIT EAVE FLASH SEF_	SOFFIT EAVE TRIM SET_	SOFFIT TRIM ST_	SOFFIT TRIM (ROOF EXT.) STC_	TUF-LITE TRIM TLT_	WALL TO ROOF FLASHING WRF_		

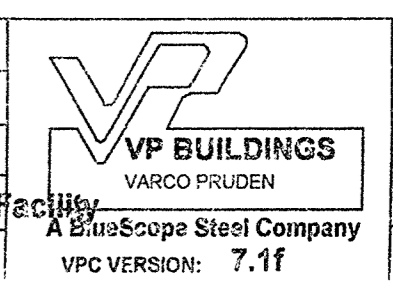
THE VP ENGINEER'S SEAL APPLIES ONLY TO THE WORK PRODUCT OF VP AND DESIGN AND PERFORMANCE REQUIREMENTS SPECIFIED BY VP. THE VP ENGINEER'S SEAL DOES NOT APPLY TO THE PERFORMANCE OR DESIGN OF ANY OTHER PRODUCT OR COMPONENT FURNISHED BY VP EXCEPT TO ANY DESIGN OR PERFORMANCE REQUIREMENTS SPECIFIED BY VP.

THIS DRAWING, INCLUDING THE INFORMATION HEREON, REMAINS THE PROPERTY OF VP BUILDINGS. IT IS PROVIDED SOLELY FOR ERECTING THE BUILDING DESCRIBED IN THE APPLICABLE PURCHASE ORDER AND SHALL NOT BE MODIFIED, REPRODUCED OR USED FOR ANY OTHER PURPOSE WITHOUT PRIOR WRITTEN APPROVAL OF VP BUILDINGS.

THE GENERAL CONTRACTOR AND/OR ERECTOR IS SOLELY RESPONSIBLE FOR ACCURATE, GOOD QUALITY WORKMANSHIP IN ERECTING THIS BUILDING IN CONFORMANCE WITH THIS DRAWING, DETAILS REFERENCED IN THIS DRAWING, ALL APPLICABLE VP ERECTION GUIDES, AND INDUSTRY STANDARDS PERTAINING TO PROPER ERECTION, INCLUDING THE CORRECT USE OF TEMPORARY BRACING.

VP Buildings			
3200 Players Club Circle Memphis TN 38125			
REV	DATE	BY	DESCRIPTION

MRD19 Drawing	
BUILDER	Broadmoor, LLC
CUSTOMER	John F. Stennis Space Center
LOCATION	Stennis Space Center, Mississippi
PROJECT	Riverine and Combatant Craft Operations Facility
BUILDERS PC#	



JOB NO	08-28914EP3
DATE	4/30/09
DRAWING CHECK	BR BR
PAGE	31