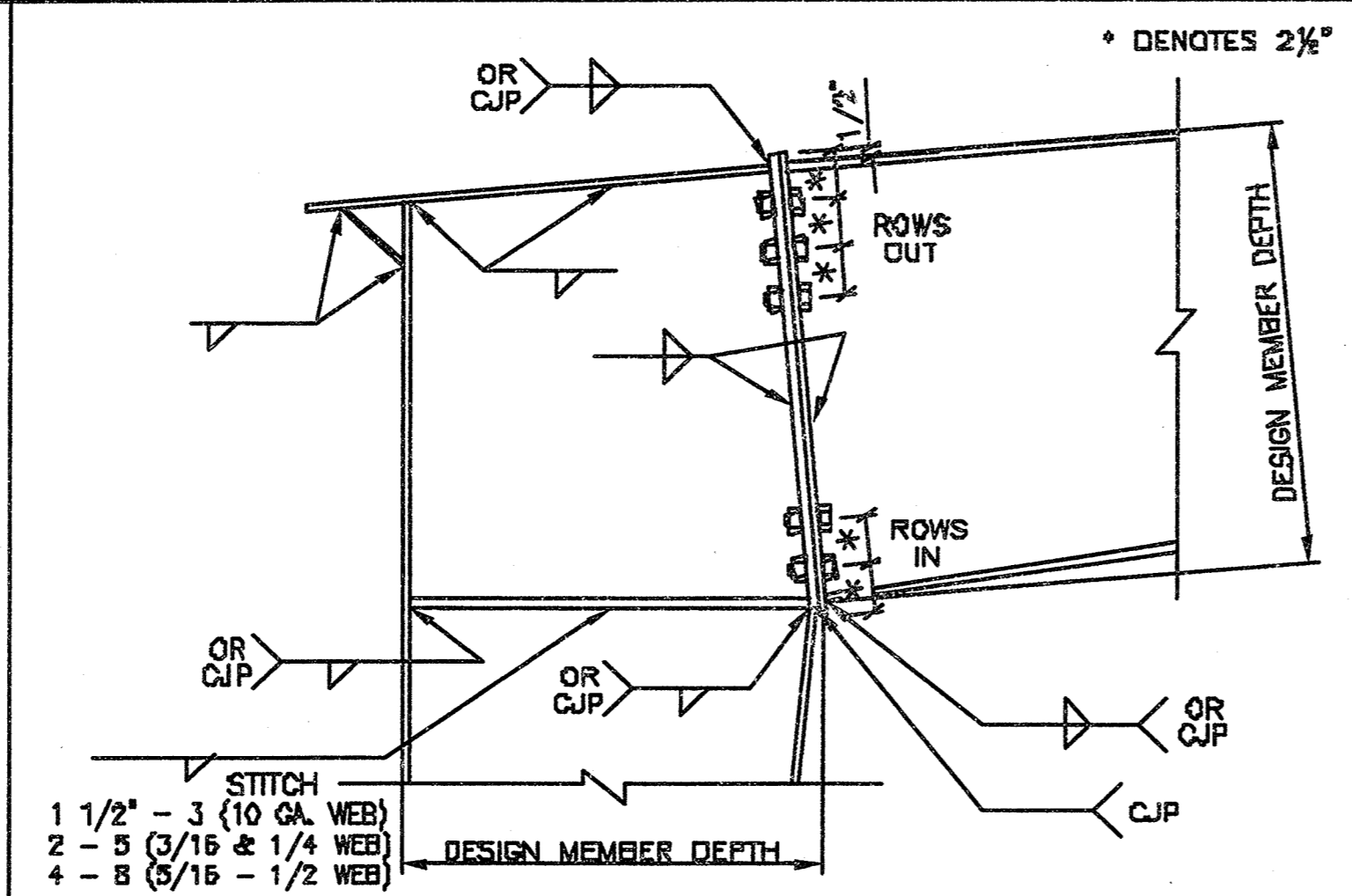
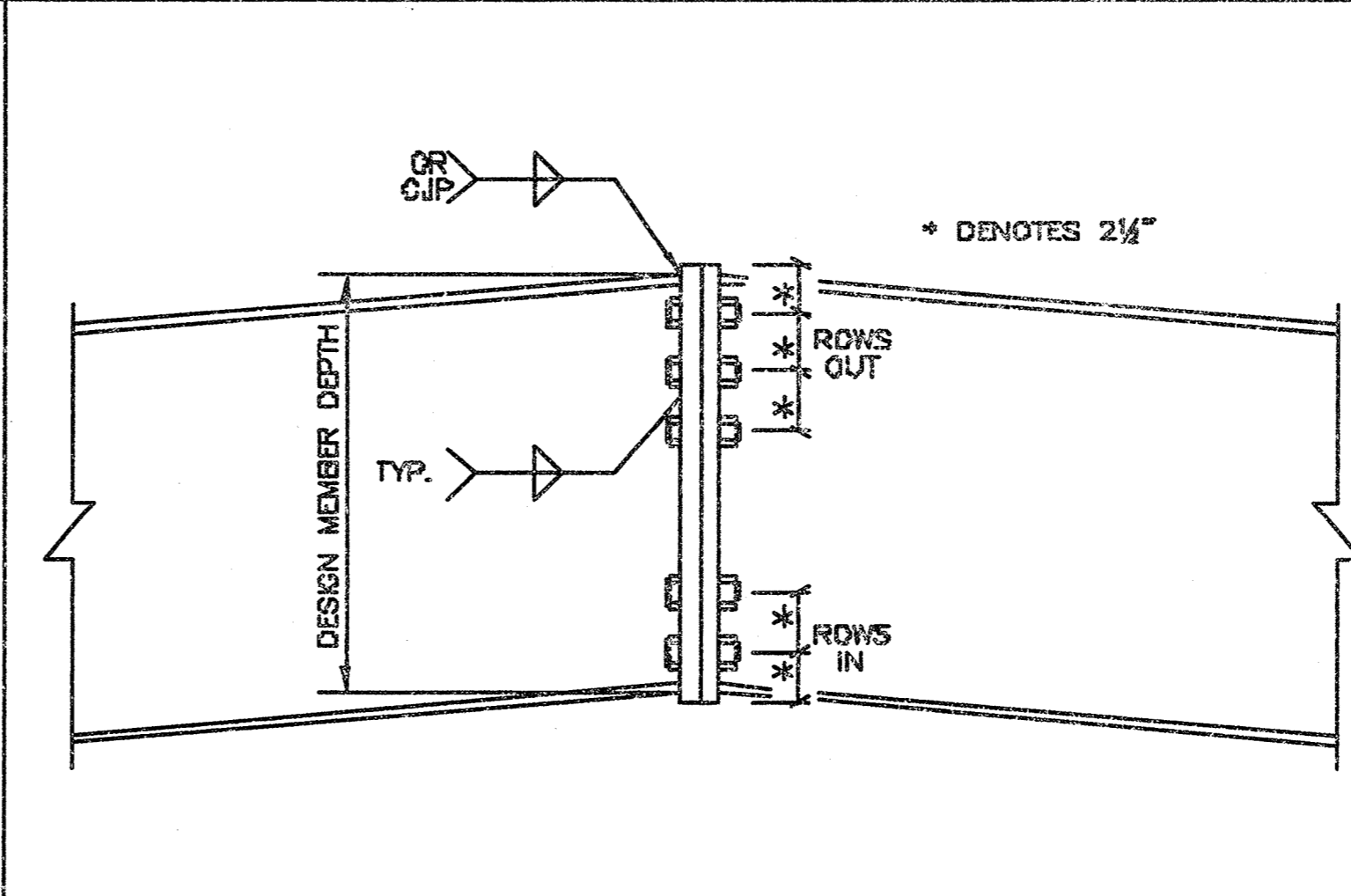


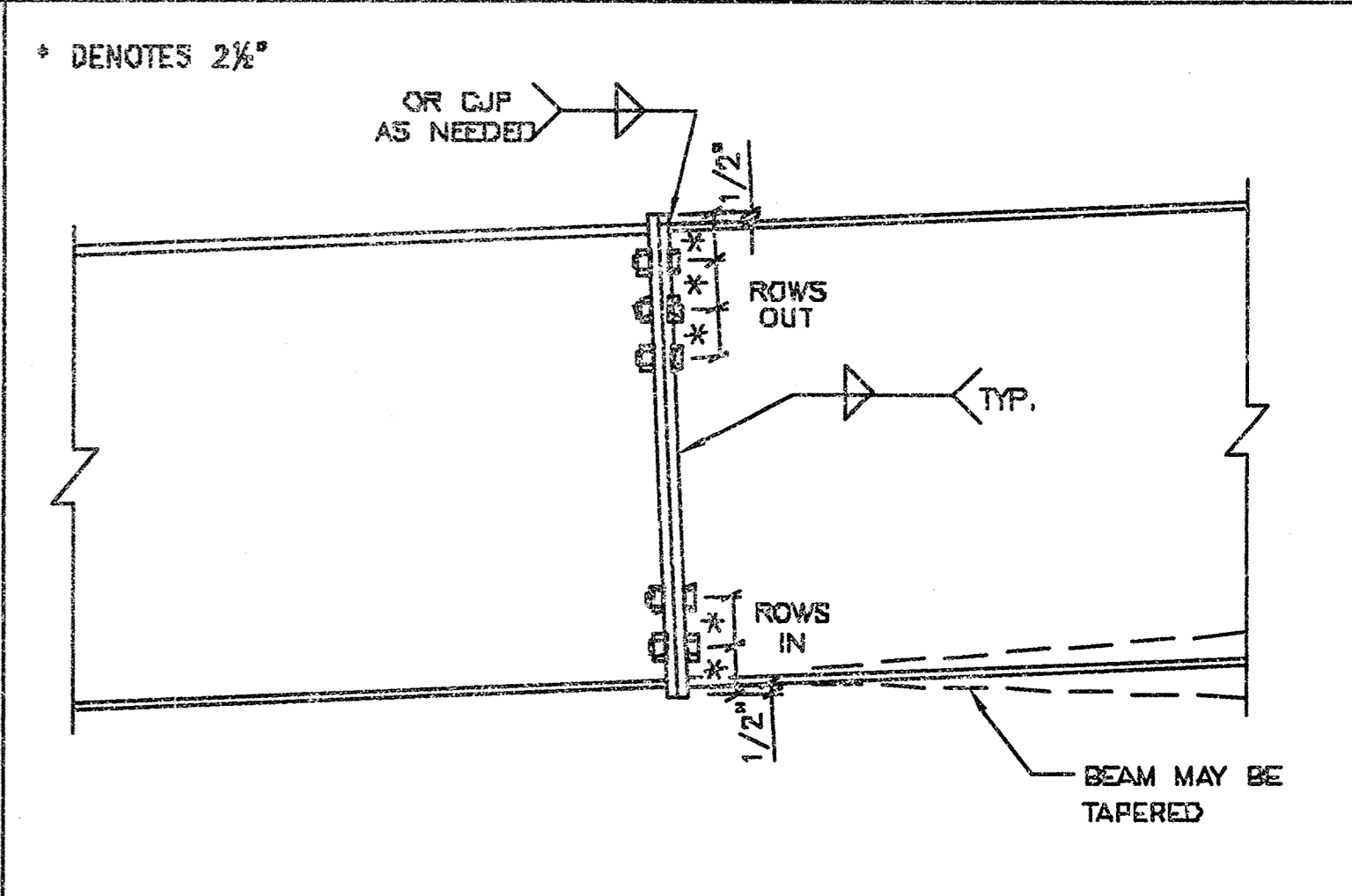
HAUNCH / COLUMN CONNECTION
TOP BOLTED



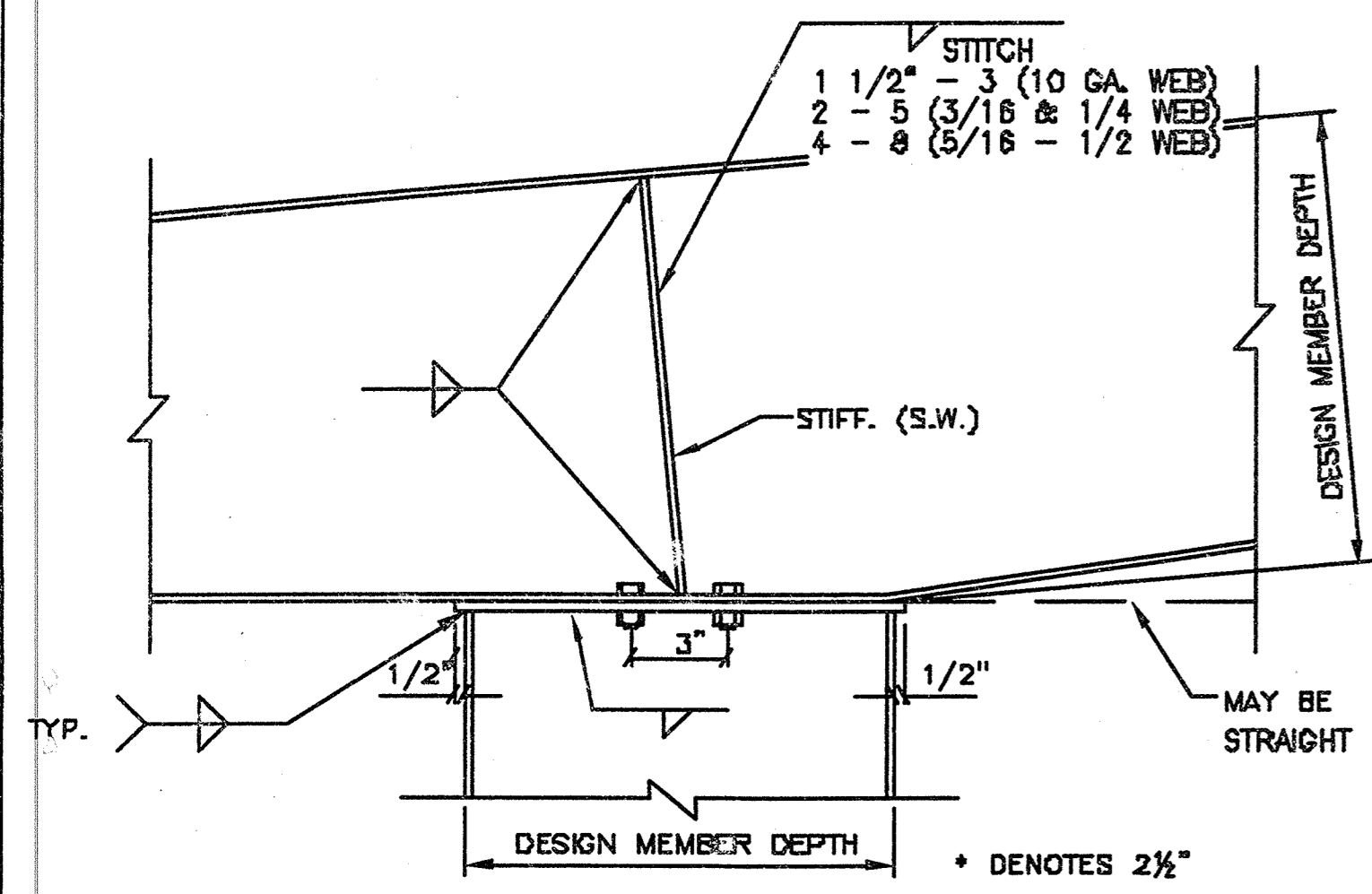
LOW SIDE HAUNCH CONNECTION
FACE BOLTED



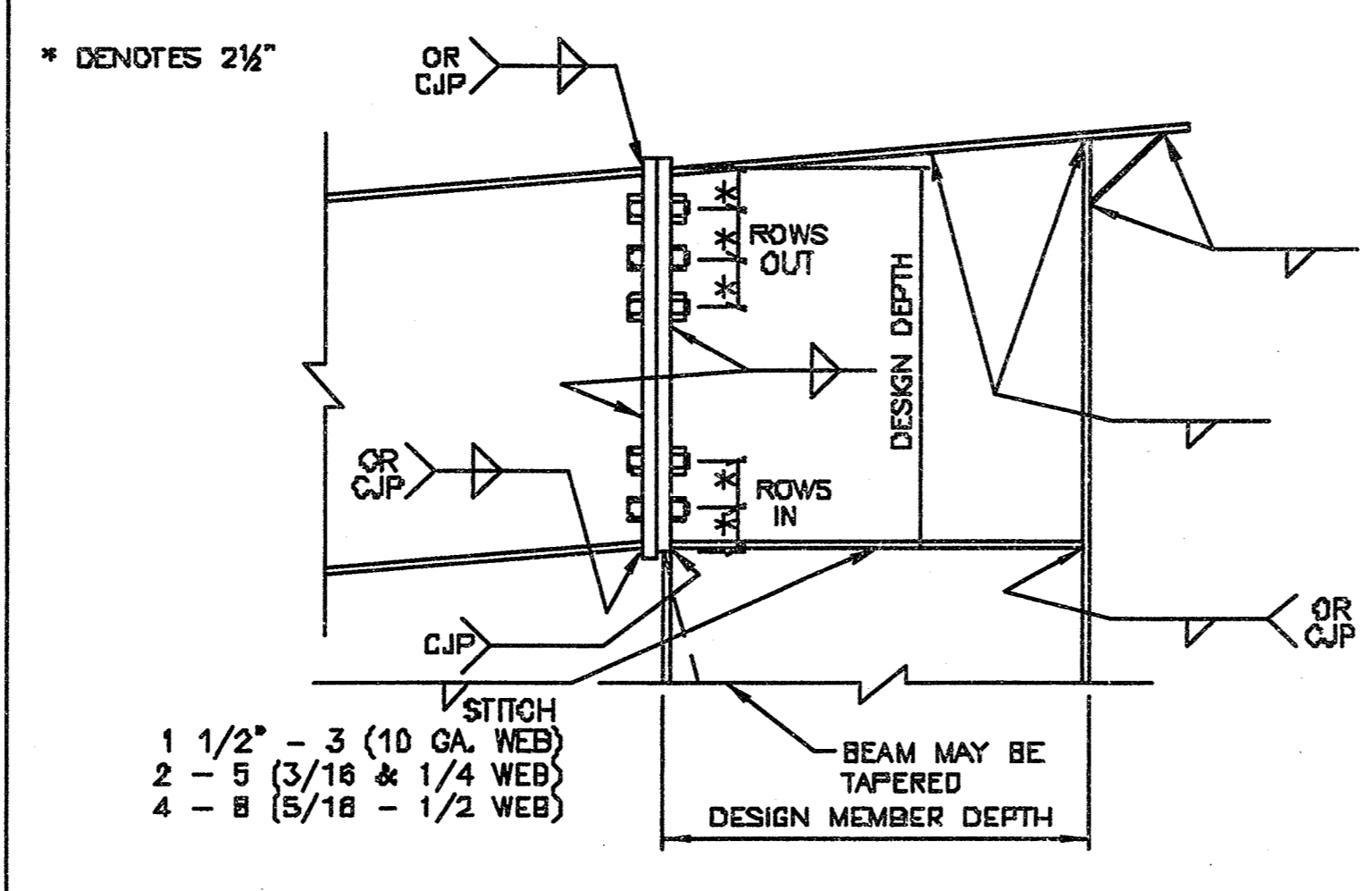
RIDGE CONNECTION
BOLTED



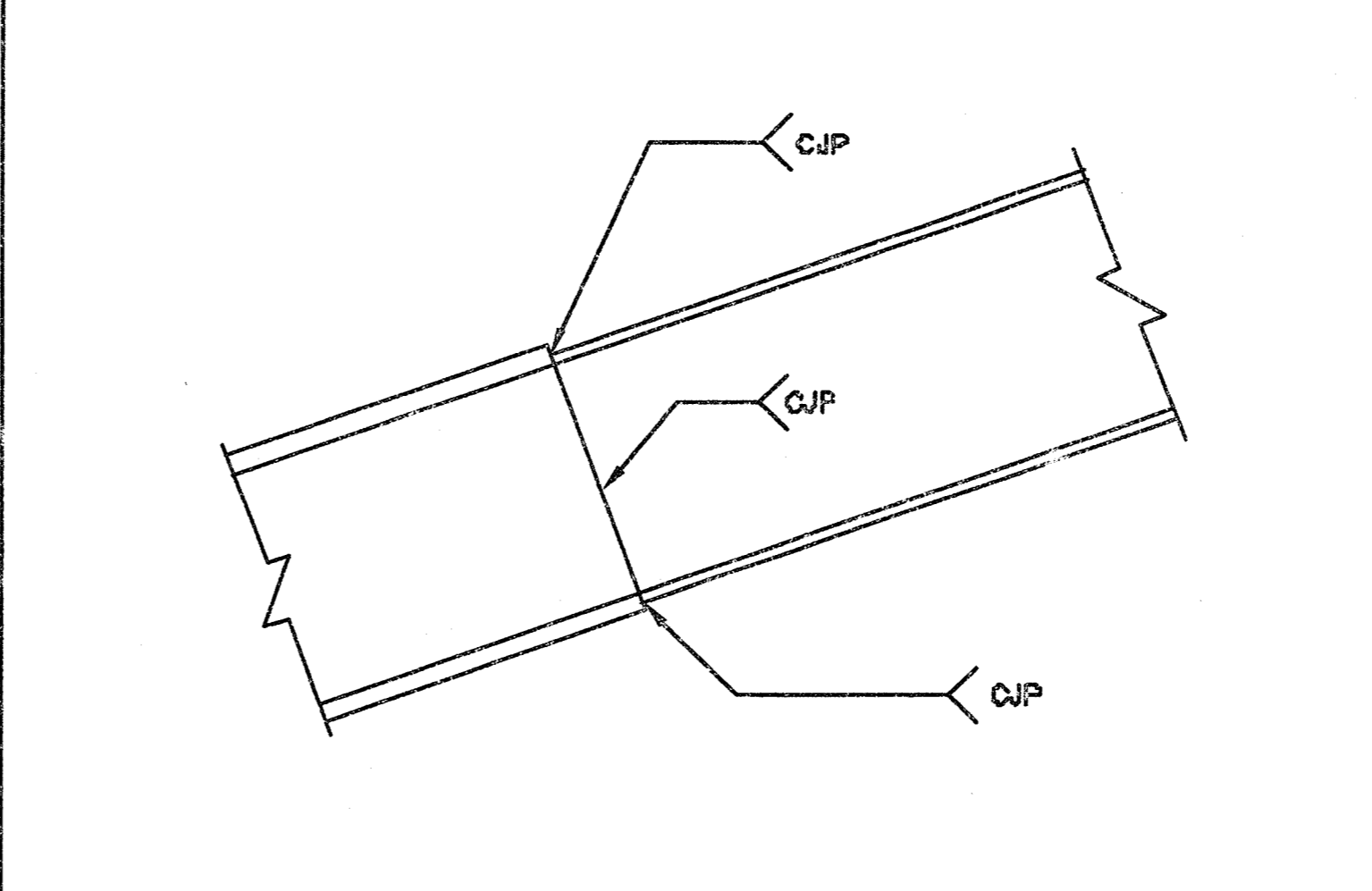
SPLICE CONNECTION



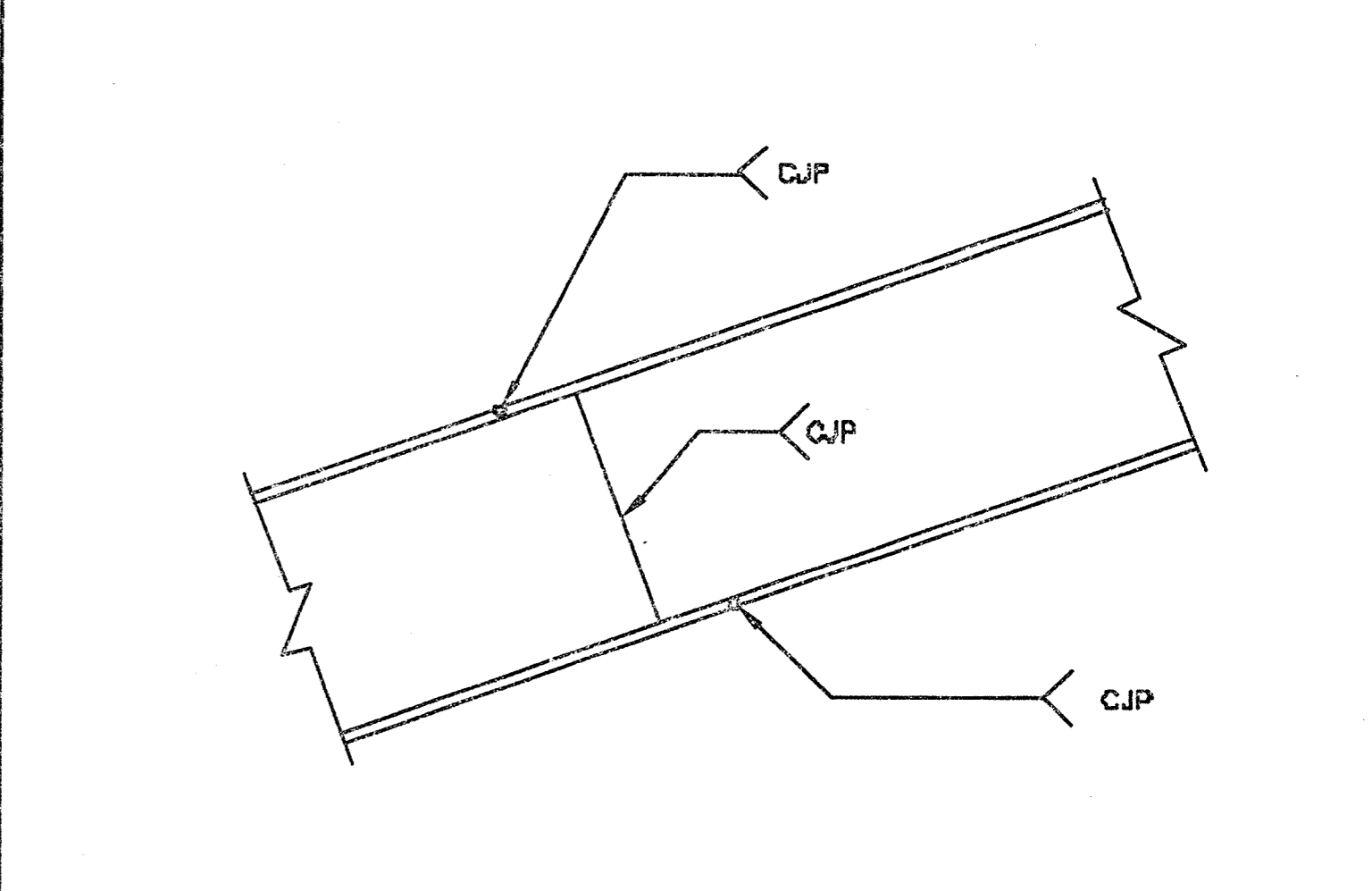
FRAME CONNECTION
INTERIOR COLUMN



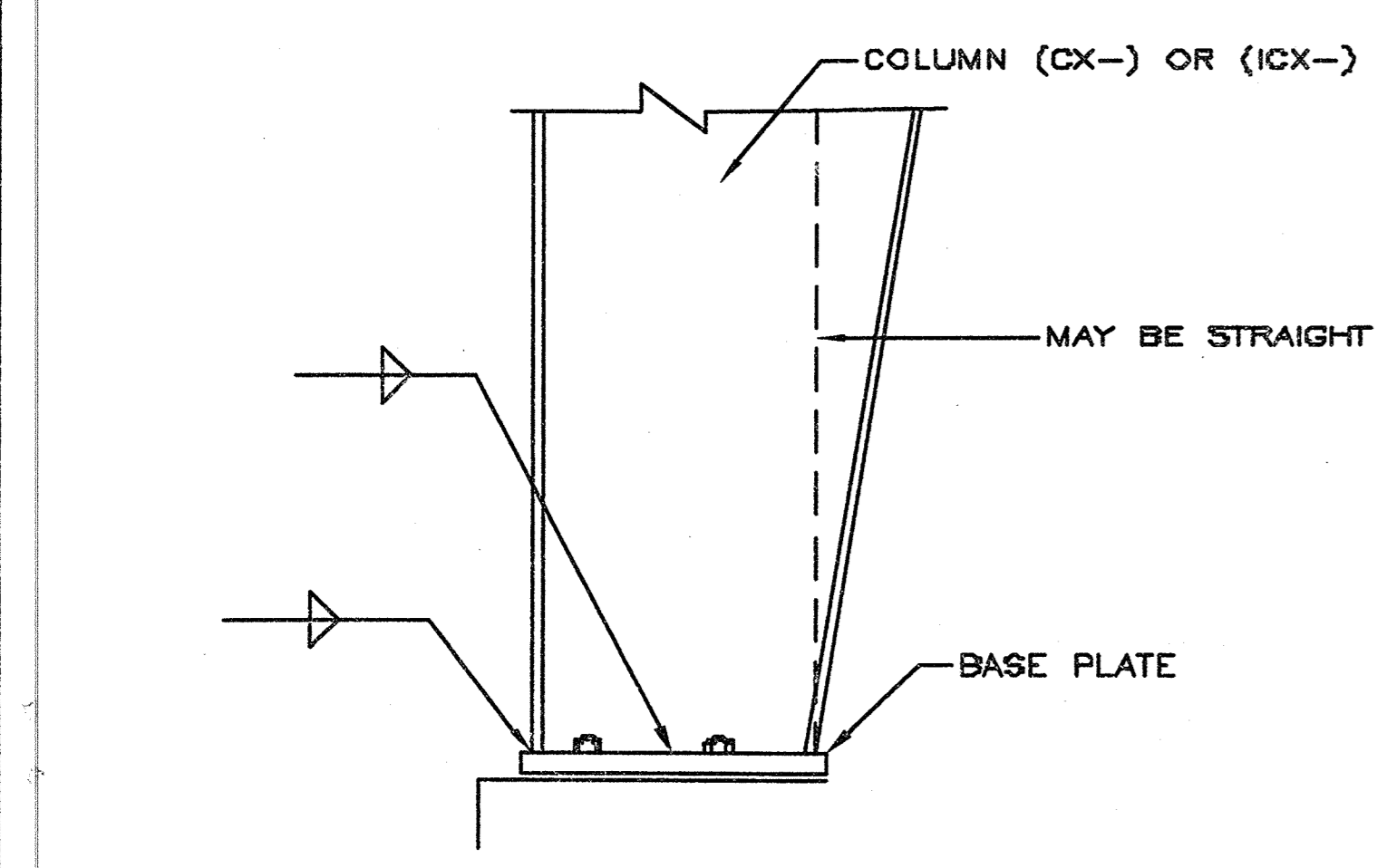
HIGH SIDE CONNECTION
FACE BOLTED



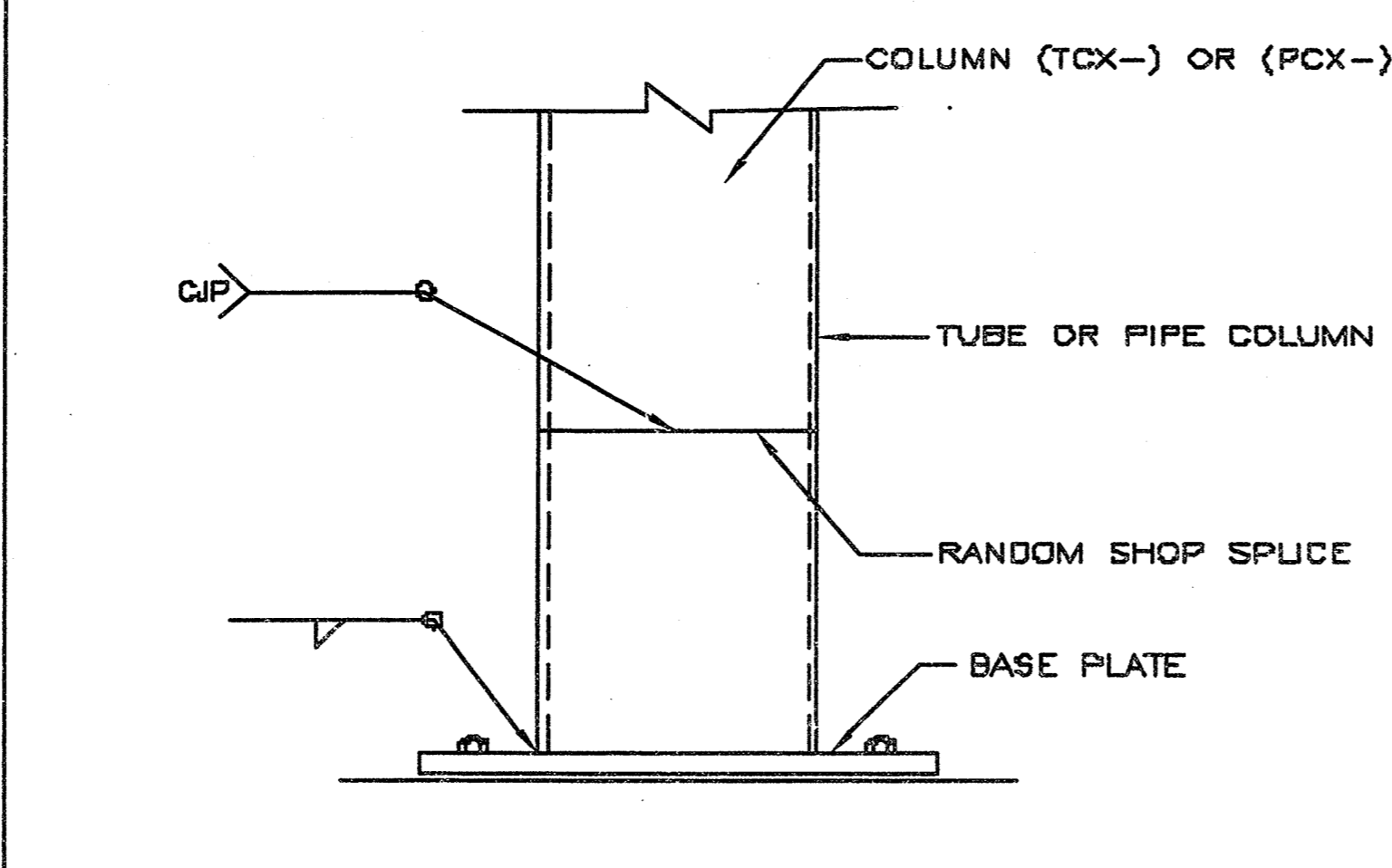
FLANGE CHANGE CONNECTION
SPUCE



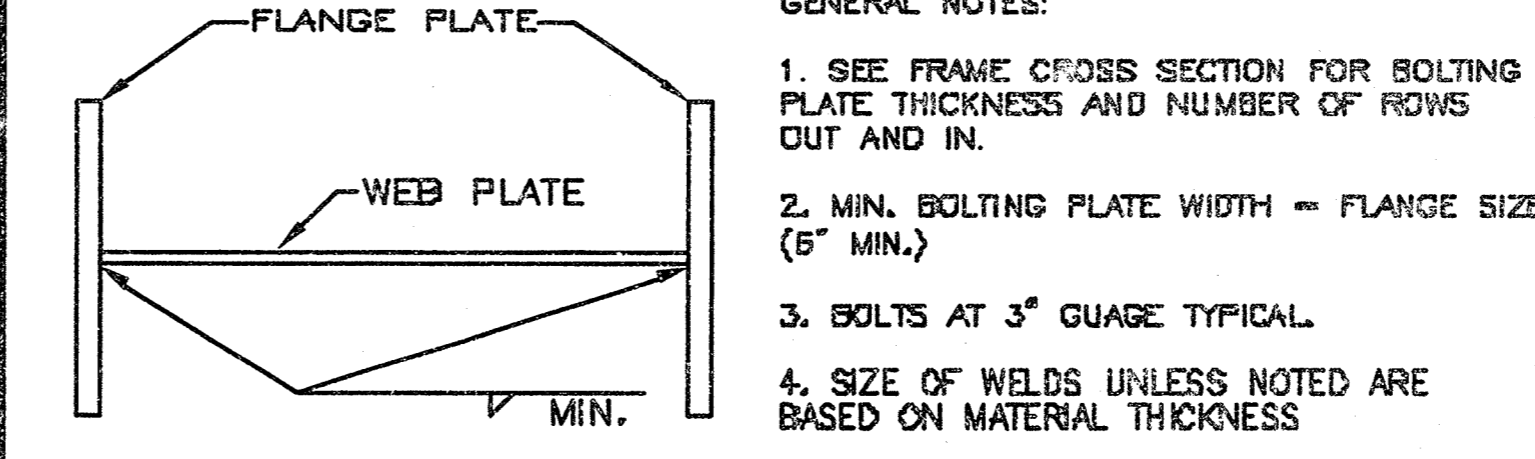
RANDOM SHOP SPLICE
SHOP SPLICE



TYPICAL BASE PLATE CONNECTION
BASE PLATE TO COLUMN



TUBE OR PIPE BASE PLATE CONNECTION
BASE PLATE TO COLUMN



GENERAL NOTES:

- SEE FRAME CROSS SECTION FOR BOLTING PLATE THICKNESS AND NUMBER OF ROWS OUT AND IN.
- MIN. BOLTING PLATE WIDTH = FLANGE SIZE (6" MIN.)
- BOLTS AT 3" GAUGE TYPICAL
- SIZE OF WELDS UNLESS NOTED ARE BASED ON MATERIAL THICKNESS

		FLANGE THICKNESS											
		3/16"	1/4"	5/16"	3/8"	1/2"	5/8"	3/4"	1"	1 1/8"	1 1/4"	> 1 1/4"	
WEB THICKNESS	3/16" OR LESS	1/8"	1/8"	1/8"	1/8"	1/8"	1/8"	3/16"	3/16"	3/16"	3/16"	3/16"	
	1/4"	1/8"	1/8"	1/8"	1/8"	1/8"	1/8"	3/16"	3/16"	3/16"	1/4"	1/4"	
	5/16"	1/8"	1/8"	3/16"	3/16"	3/16"	3/16"	3/16"	3/16"	1/4"	1/4"	5/16"	
	3/8"	1/8"	1/8"	3/16"	3/16"	3/16"	3/16"	3/16"	3/16"	1/4"	1/4"	5/16"	
	1/2"	1/8"	1/8"	3/16"	3/16"	3/16"	3/16"	3/16"	3/16"	1/4"	1/4"	5/16"	
5/8"	1/8"	1/8"	3/16"	3/16"	3/16"	1/4"	1/4"	1/4"	1/4"	1/4"	5/16"		
3/4"	3/16"	3/16"	3/16"	3/16"	3/16"	1/4"	1/4"	1/4"	1/4"	1/4"	5/16"		

TYPICAL NOTES
TYPICAL SECTION THRU BUILT-UP MEMBERS

LIGHT GAGE WELDS -
SHAPES PRODUCED FROM DOUBLE CEE LIGHT GAGE MATERIALS SHALL BE JOINED BY INTERMITTENT GROOVE WELDS DOWN BOTH SIDES OF THE MEMBER. THE WELDS INT SHALL BE 2" LONG AND LOCATED NO FURTHER APART FROM THE SPACING SHOWN IN THE TABLE. IN ADDITION TO THE REQUIRED INTERMITTENT WELDS THE FIRST 2" AT EACH END OF THE MEMBER SHALL BE JOINED BY 2" OF WELD.

SPACING TABLE	
MEMBER LENGTH	MAX. SPACING OF 2" WELD
< 6'	L(in.) / 6
≥ 6' - < 12'	12"
≥ 12' - < 18'	24"
≥ 18' - < 24'	36"
≥ 24'	48"

LIGHT GAGE WELDS

THE VP ENGINEER'S SEAL APPLIES ONLY TO THE WORK PRODUCT OF VP AND DESIGN AND PERFORMANCE REQUIREMENTS SPECIFIED BY VP. THE VP ENGINEER'S SEAL DOES NOT APPLY TO THE PERFORMANCE OR DESIGN OF ANY OTHER PRODUCT OR COMPONENT FURNISHED BY VP EXCEPT TO ANY DESIGN OR PERFORMANCE REQUIREMENTS SPECIFIED BY VP.

THIS DRAWING, INCLUDING THE INFORMATION HEREON, REMAINS THE PROPERTY OF VP BUILDINGS. IT IS PROVIDED SOLELY FOR ERECTING THE BUILDING DESCRIBED IN THE APPLICABLE PURCHASE ORDER AND SHALL NOT BE MODIFIED, REPRODUCED OR USED FOR ANY OTHER PURPOSE WITHOUT PRIOR WRITTEN APPROVAL OF VP BUILDINGS.

THE GENERAL CONTRACTOR AND/OR ERECTOR IS SOLELY RESPONSIBLE FOR ACCURATE, GOOD QUALITY WORKMANSHIP IN ERECTING THIS BUILDING IN CONFORMANCE WITH THIS DRAWING, DETAILS REFERENCED IN THIS DRAWING, ALL APPLICABLE VP ERECTION GUIDES, AND INDUSTRY STANDARDS PERTAINING TO PROPER ERECTION INCLUDING THE CORRECT USE OF TEMPORARY BRACINGS.

VP Buildings			
3200 Players Club Circle Memphis TN 38125			
REV	DATE	BY	DESCRIPTION

MRD50 Drawing	
BUILDER	Broadmoor, LLC
CUSTOMER	John F. Stennis Space Center
LOCATION	Stennis Space Center, Mississippi
PROJECT	Riverine and Combatant Craft Operations Facility
BUILDERS PO#	

VARCO PRUDEN
A BlueScope Steel Company

JOBNO 08-28914EP3
DATE 4/30/09
DRAWN/CHECK BR BR
PAGE 32