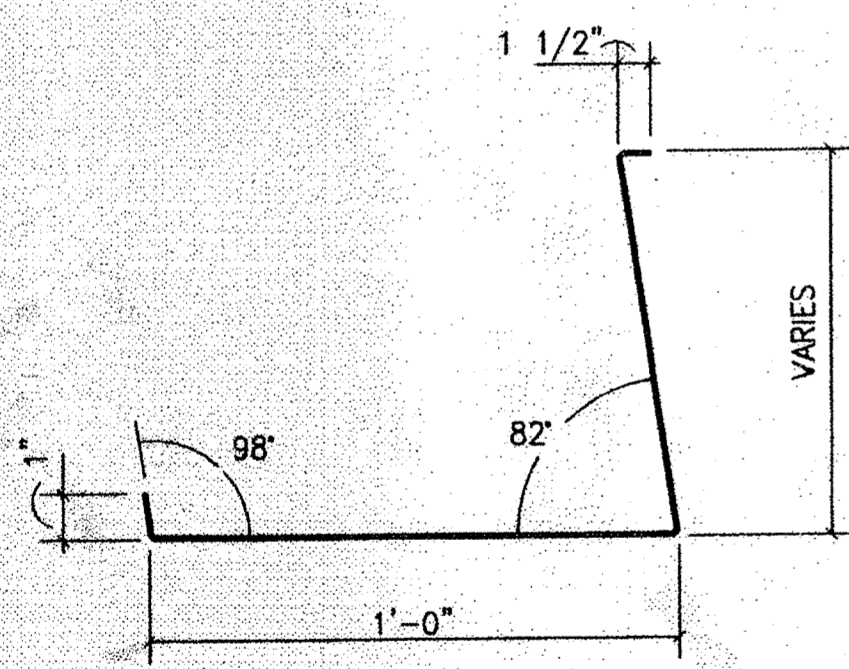
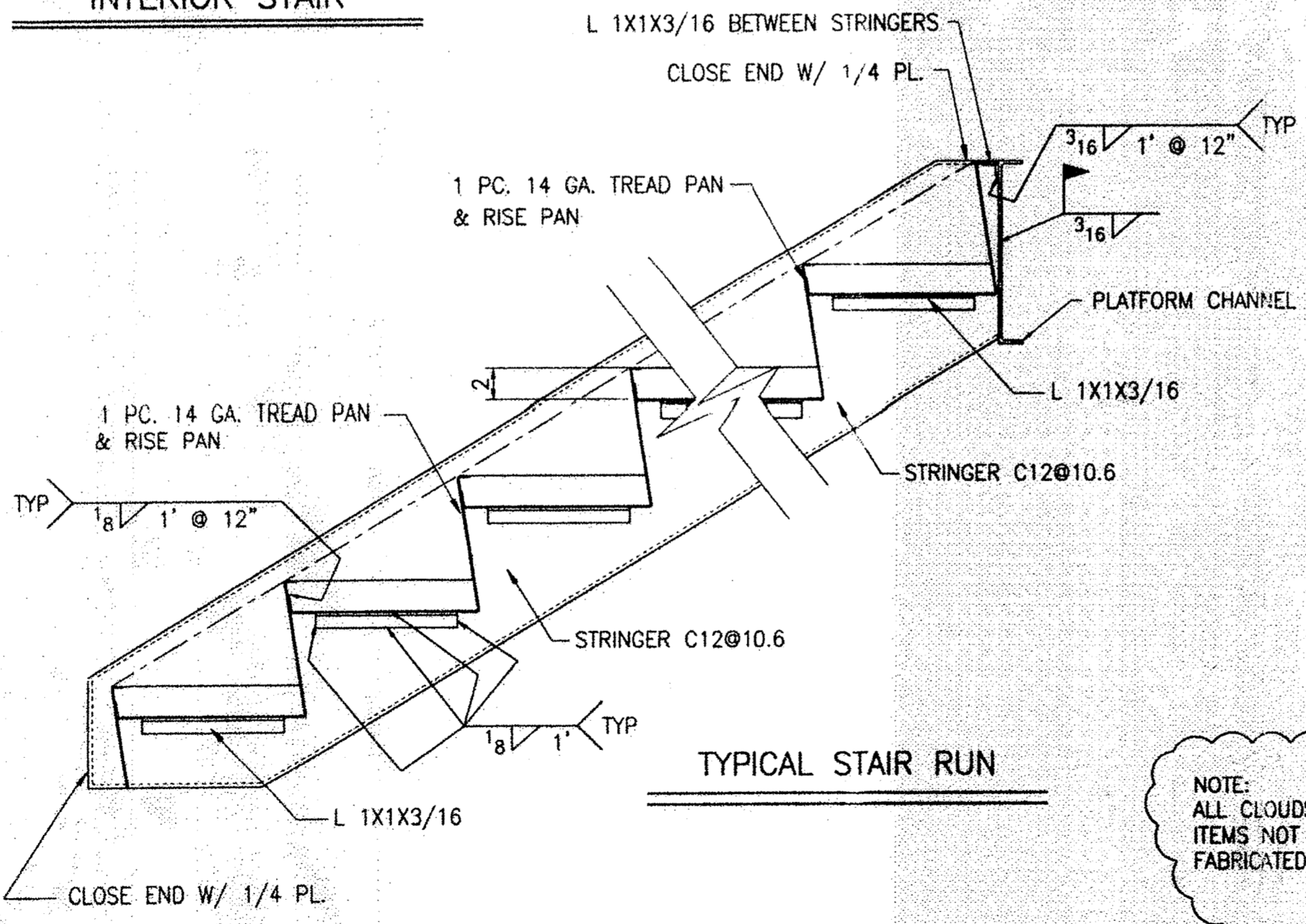


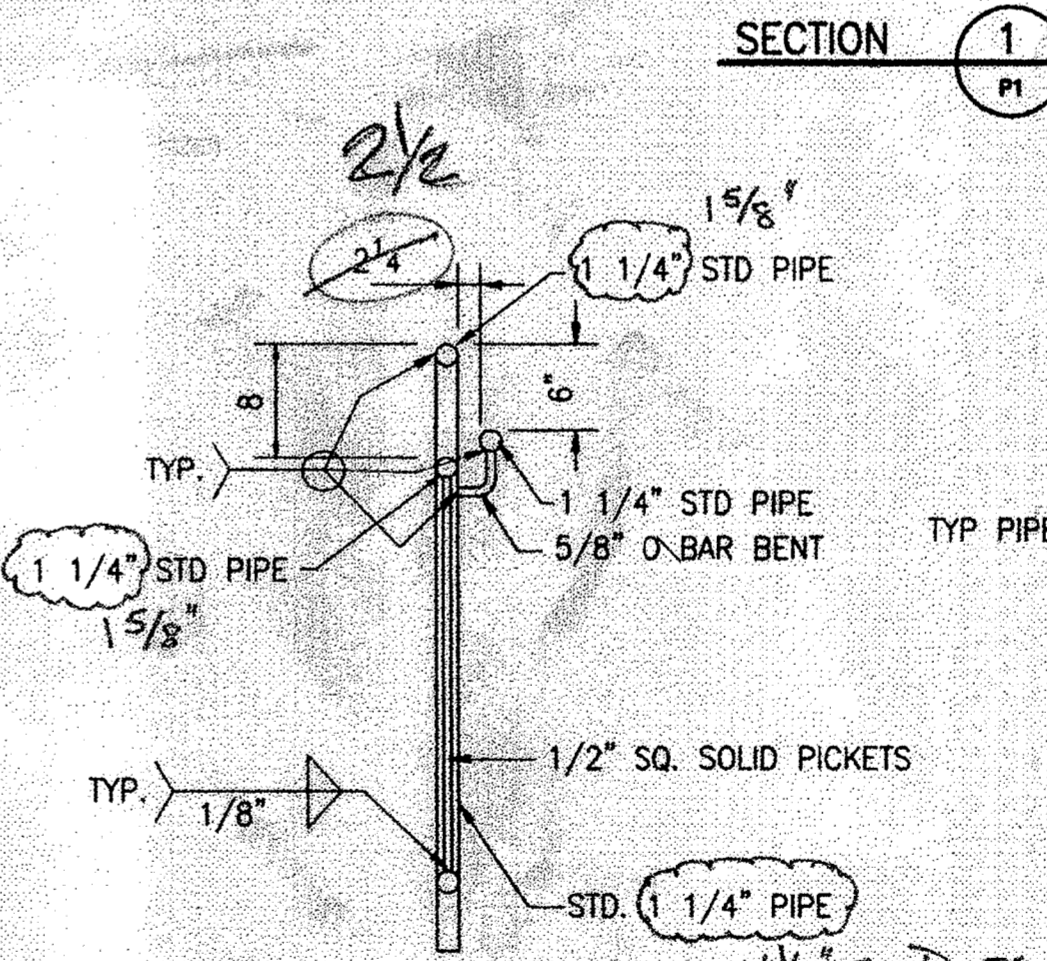
INTERIOR STAIR



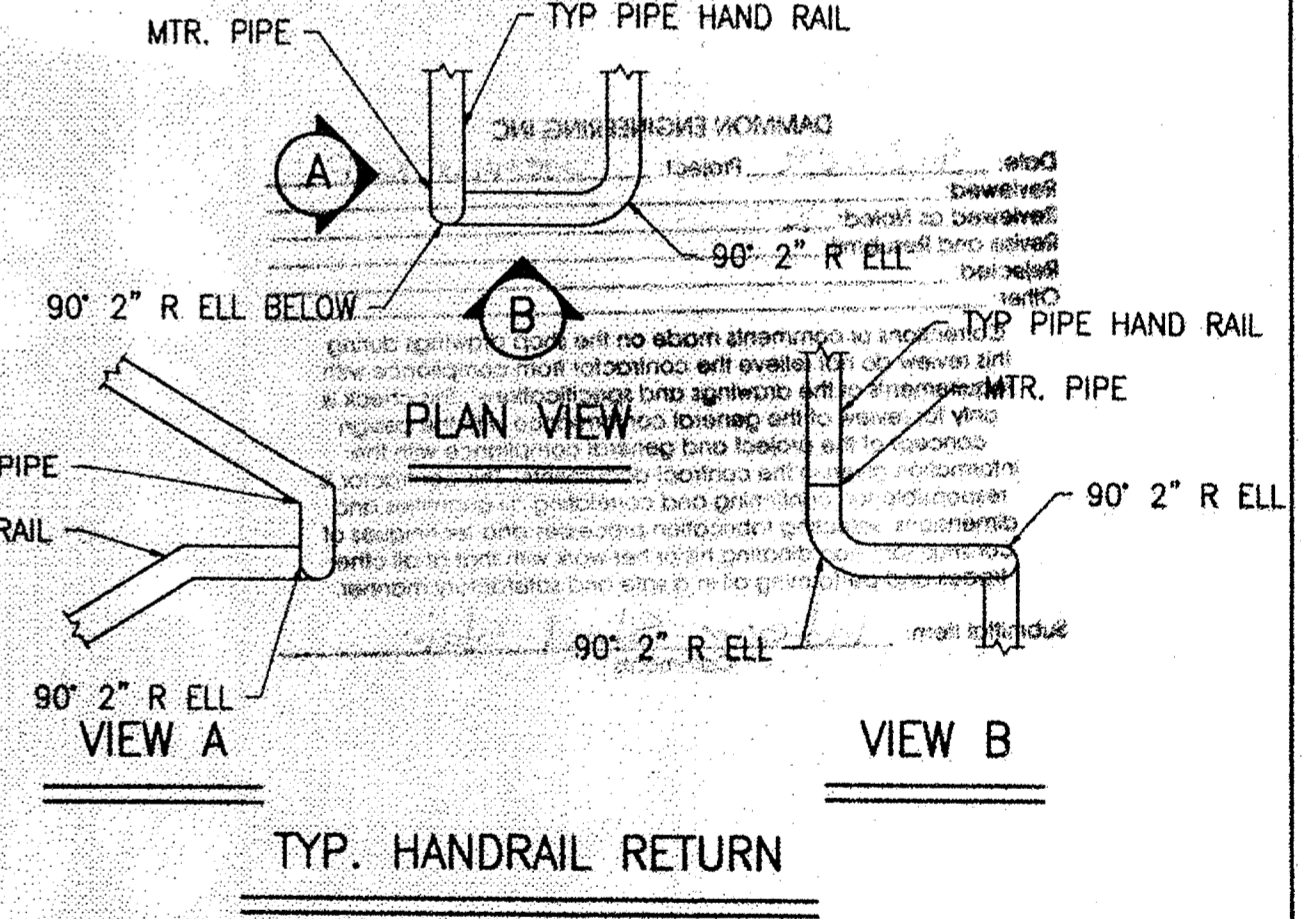
TYP. 14 GA. TREAD & RISE PAN



TYPICAL STAIR RUN



TYPICAL GUARD RAIL



VIEW A

VIEW B

TYP. HANDRAIL RETURN

NOTE:
ALL CLOUDS ARE TO BE CHECKED AND VERIFIED.
ITEMS NOT CORRECTED IN CLOUDS SHALL BE
FABRICATED AND ERECTED AS SHOWN.

BOES IRON WORKS, INC.
2321 PERDIDO STREET NEW ORLEANS, LA 70119
PHONE (504) 827-1869 FAX (504) 821-4789

PROJECT	COMBAT CRAFT OPERATIONS FACILITY		
LOCATION	NASA JOHN C. STENNIS SPACE CTR. MISS.		
DETAIL OF	INTERIOR STAIR PROPOSAL		
CONTRACTOR	XX	Project Name: STENNIS RESTORATION Contract: N14950-05-D-0096	
ARCHITECT	DAMMON ENGINEERING, INC.		Rev. Proj.: 3013-70 Submitted: 005100-01
REVISIONS	Reviewed by: J. Collins Date: 2/15/09		
DETAILERS JOB #	09008		
DWG. FILE LOCATION	DWG/BIW/09008		
HOLES	PAINT	SSPC-SP 3	DRAWN
13 16	FAB. STD. PRIME	GPD	CHECKED
UNLESS NOTED			SHEET #
			P1
			JOB #

ISSUED FOR APPROVAL	REV.	DATE	DESCRIPTION	REV.	DATE	DESCRIPTION	APPROVALS				FABRICATOR RELEASE TO SHOP FOR FABRICATION
							ARCHITECT	ENGINEER	CONTRACTOR	OTHER	
DATE	1/30/09						SIGNATURE	SIGNATURE	SIGNATURE	SIGNATURE	SIGNATURE
PROPOSAL DWG.							DATE	DATE	DATE	DATE	DATE

DRAWINGS PREPARED BY DETAILER FROM INFORMATION CONTAINED IN THE PROJECT DOCUMENTS WITH INSTRUCTIONS FROM THE FABRICATOR. DETAILER IS NOT RESPONSIBLE FOR ANY DESIGN, ENGINEERING OR CODE ISSUES WHICH MAY ARISE FROM THE USE OF THESE DRAWINGS. APPROVALS SHOULD BE OBTAINED FROM THE OWNER, ARCHITECT, ENGINEER, CONTRACTOR, WHICH EVER IS APPLICABLE. THE FABRICATOR SHOULD CHECK THE DETAIL DOCUMENTS FOR CORRECTNESS BEFORE RELEASING FOR FABRICATION. THE USE OF THE DETAILED DRAWINGS FOR FABRICATION CONSTITUTES ACCEPTANCE AND APPROVAL OF THE DRAWINGS, MATERIAL LIST OR CUT LIST, WHICH EVER APPLIES.