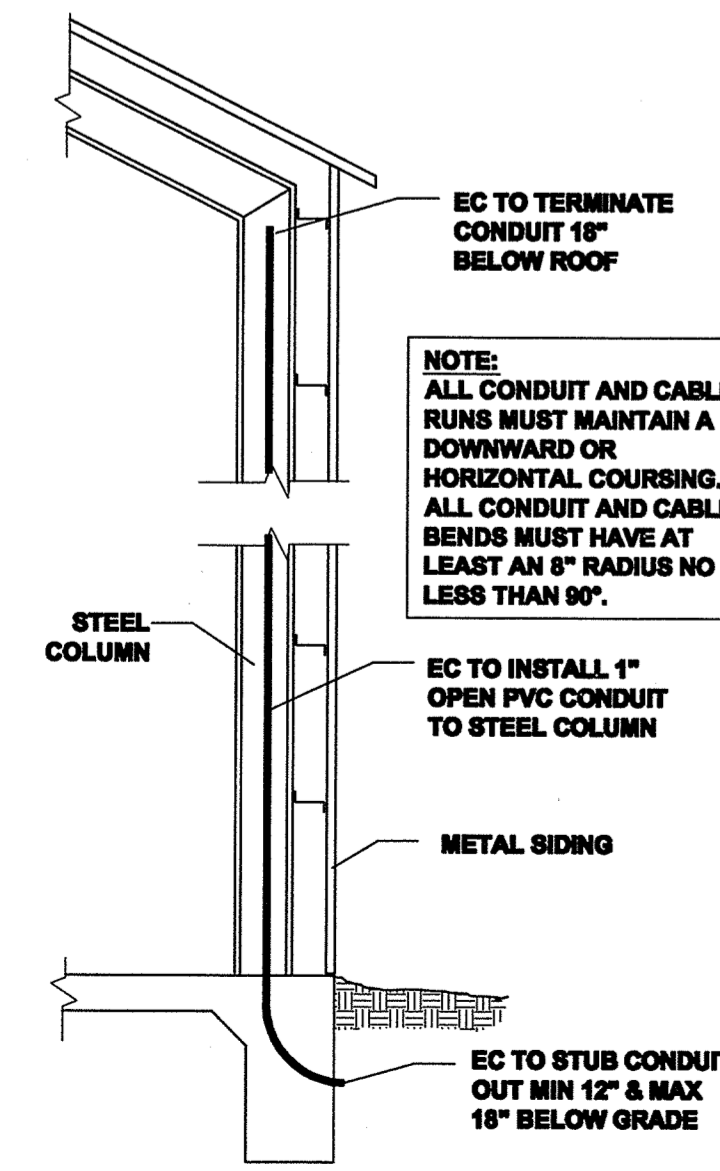
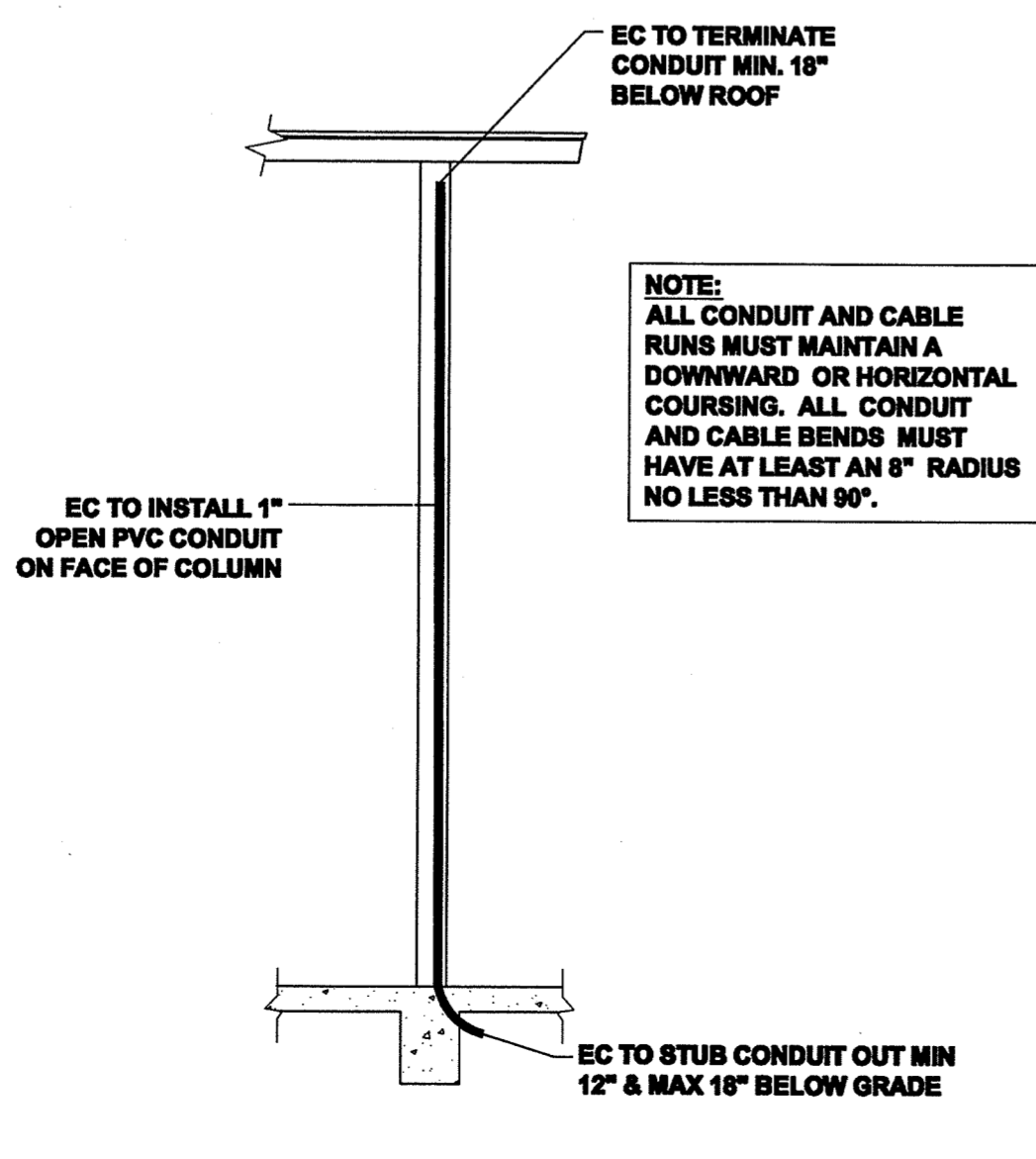


**SPECIFIC NOTES:**

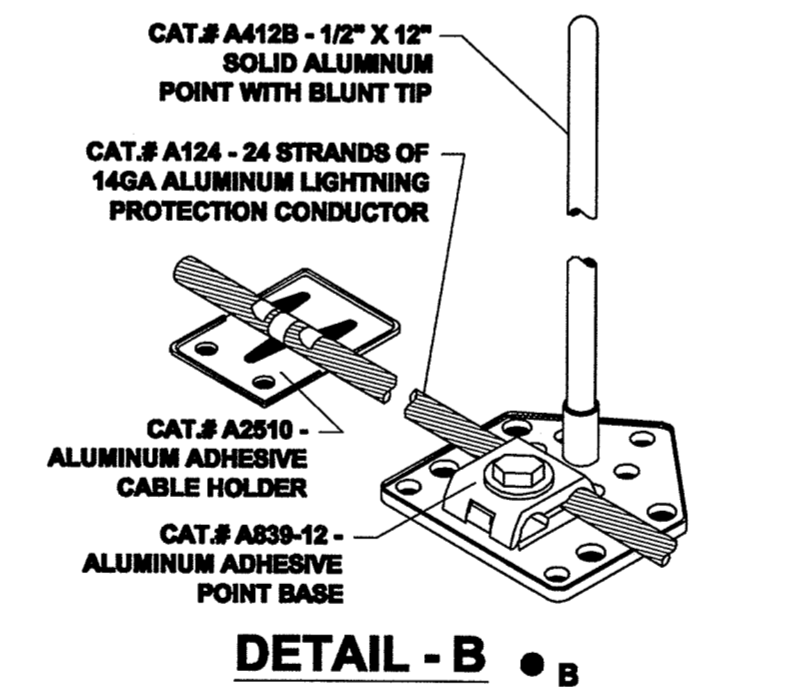
- ① LOWER ROOF IS UNDER ZONE OF PROTECTION CREATED BY HIGHER PROTECTED ROOFS.



**DOWNLEAD DETAIL - 100**

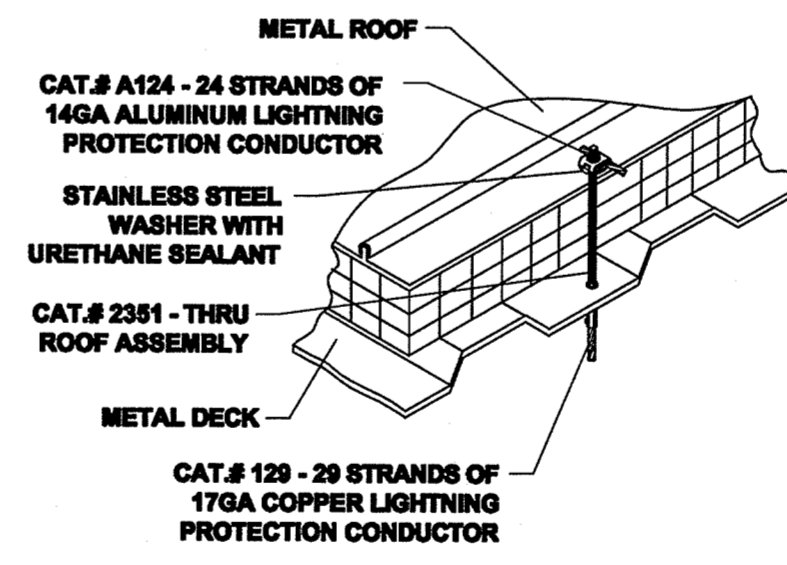


**DOWNLEAD DETAIL - 101**

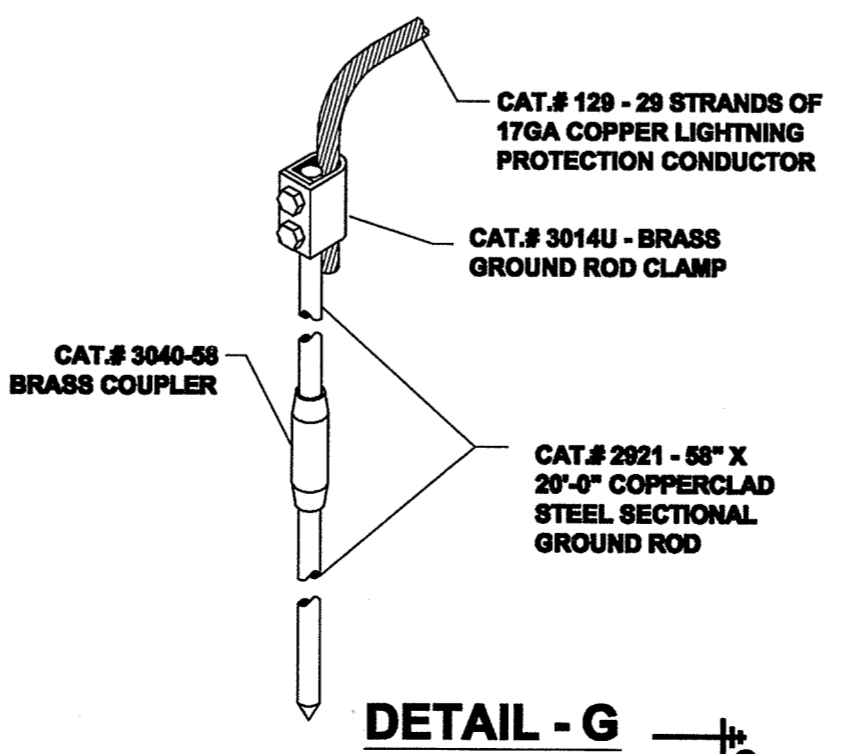


**DETAIL - B**

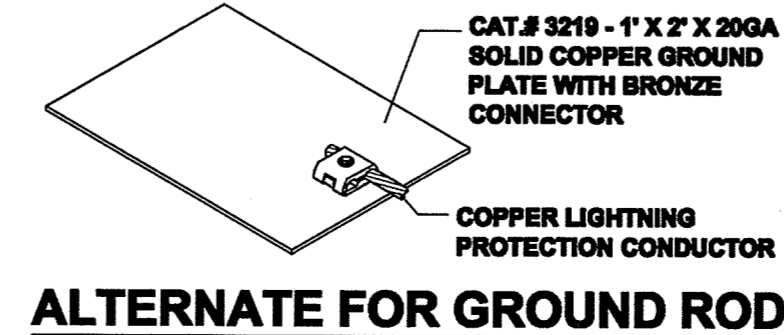
- NOTE: ADHERE CABLE HOLDER AND BASE TO ROOF WITH URETHANE SEALANT.
- NOTE: AS REQUIRED BY LIGHTNING PROTECTION CODES DETAIL USES ALUMINUM COMPONENTS IN ORDER TO BE COMPATIBLE WITH ALUMINUM/GALVALUME/GALVANIZED METAL ROOF.



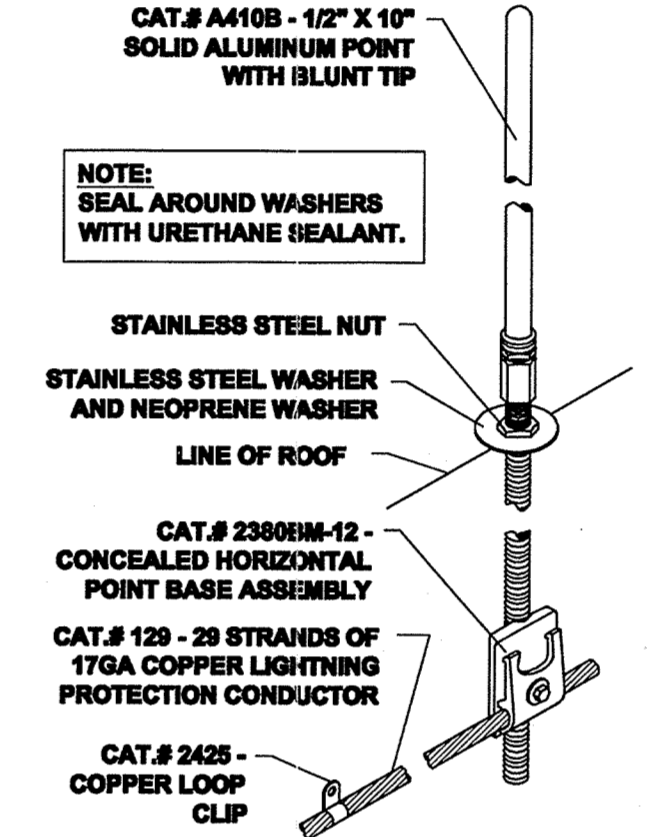
**DETAIL - T**



**DETAIL - G**

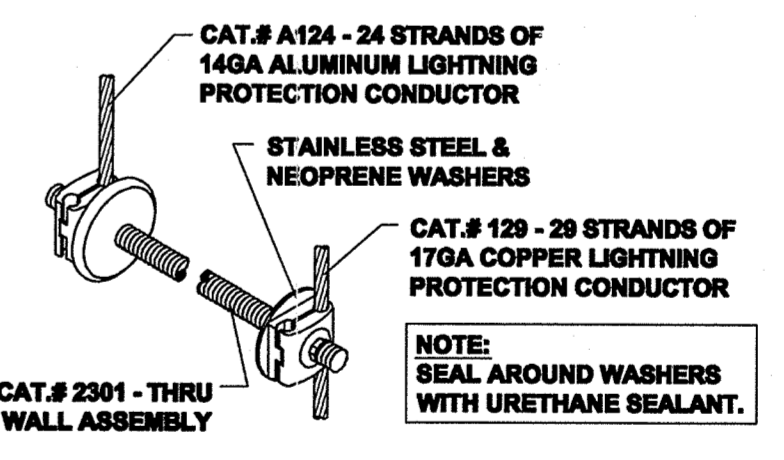


**ALTERNATE FOR GROUND ROD**

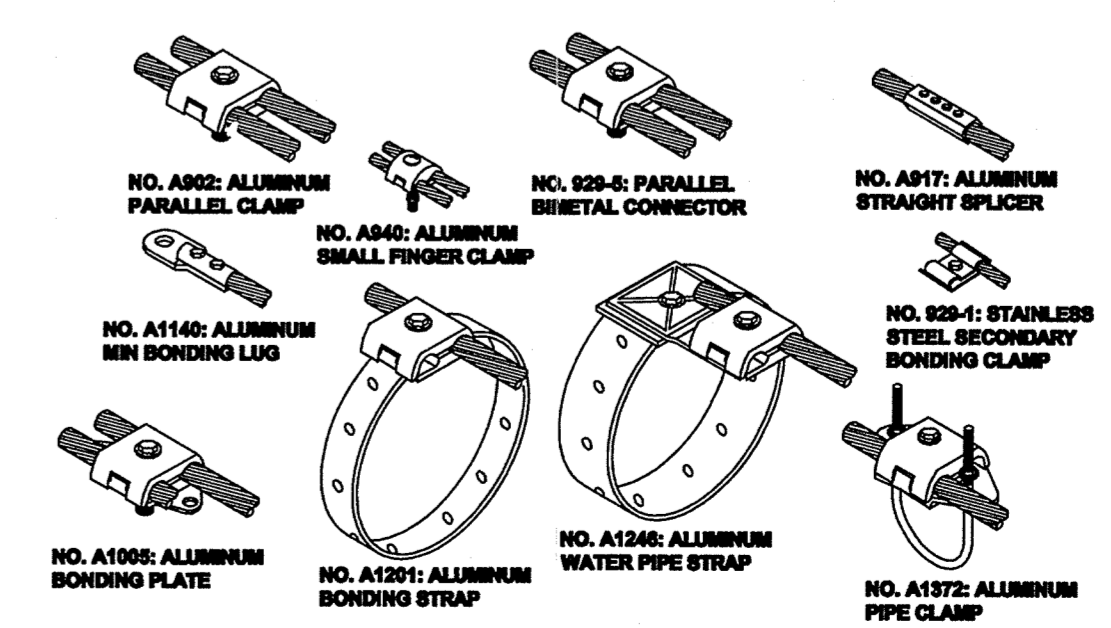


**DETAIL - A**

- NOTE: SEAL AROUND WASHERS WITH URETHANE SEALANT.
- NOTE: USE CAT.# A1950-12-12 AIR TERMINAL SWIVEL AS REQUIRED.
- NOTE: AS REQUIRED BY LIGHTNING PROTECTION CODES DETAIL USES ALUMINUM COMPONENTS IN ORDER TO BE COMPATIBLE WITH ALUMINUM/GALVALUME/GALVANIZED METAL ROOF.



**DETAIL - TW**



**TYPICAL BONDING & SPLICING EQUIPMENT**

**EQUIPMENT MANUFACTURERS**

**UNDERWRITERS LABORATORIES STAMP**

DESIGN RATED PER OR EXCEEDED:

- UL-98 - LIGHTNING PROTECTION EQUIPMENT STANDARD
- UL-98-A - LIGHTNING PROTECTION INSTALLATION STANDARD

ISSUED: David Riley

- GENERAL INSTALLATION NOTES**
- 1) ALL MATERIALS TO BE UNDERWRITERS LABORATORIES LISTED AND LABELED. LABELS TO BE ON ALL AIR TERMINALS AND AT 10' INTERVALS ON CONDUCTOR CABLE.
  - 2) LOCATE AIR TERMINALS AS SHOWN. TAKE CARE TO INSURE THAT ALL AIR TERMINALS ARE WITHIN 2'-0" OF OUTSIDE BUILDING EDGE, OUTSIDE CORNER, AND ROOF EDGE. INSURE AIR TERMINAL PROTECTS 18" ABOVE OBJECT PROTECTED AND THAT SPACING DOES NOT EXCEED 20'-0". AIR TERMINALS 2'-0" ABOVE OBJECT PROTECTED SHALL NOT EXCEED SPACING OF 26'-0".
  - 3) MAINTAIN DOWNWARD OR HORIZONTAL COURSING OF MAIN CONDUCTOR CABLE AND INSURE THAT ALL BENDS HAVE AT LEAST AN 8" RADIUS AND ARE LESS THAN 90°.
  - 4) SUPPORT ALL EXPOSED CONDUCTOR CABLE AT 3'-0" ON CENTER MAXIMUM.
  - 5) BOND TO WATER SERVICE AND OTHER PIPING SYSTEMS AS REQUIRED BY CODES.
  - 6) INTERCONNECT LIGHTNING PROTECTION GROUND WITH OTHER BUILDING GROUND SYSTEMS AS REQUIRED BY CODES.
  - 7) BOND METAL BODIES ON ROOF THAT ARE OUTSIDE THE ZONE OF PROTECTION THAT ARE SUBJECT TO A DIRECT LIGHTNING STRIKE OR WHICH EXCEED THE HEIGHT OF ADJACENT AIR TERMINALS WITH MAIN SIZE CONDUCTOR CABLE. TYPICAL METAL BODIES INCLUDE BUT ARE NOT LIMITED TO EXHAUST FANS, VENTS, HANDRAILS, AIR HANDLING UNITS, LADDERS, ANTENNAS, COOLING TOWERS, SMOKESTACKS, ETC.
  - 8) ACTUAL JOBSITE CONDITIONS MAY ALTER SOME AIR TERMINAL AND GROUNDING LOCATIONS.
  - 9) GROUND ELECTRODES SHALL BE INSTALLED AS SHOWN BUT IN NO INSTANCE SHALL THEY BE LESS THAN 1'-0" BELOW GRADE AND 2'-0" FROM FOUNDATION WALL. ELECTRODES SHALL PENETRATE EARTH AT LEAST 10'.

**CERTIFICATION**  
INSTALLATION SHALL COMPLY IN ALL RESPECTS TO ULL CODE 98A. UPON COMPLETION THE ULL CERTIFICATE OF INSPECTION WILL BE OBTAINED.

**REVISION NO.3**

DATE: \_\_\_\_\_ DRAWN: \_\_\_\_\_ CHECKED: \_\_\_\_\_  
**REVISION NO.2**

DATE: \_\_\_\_\_ DRAWN: \_\_\_\_\_ CHECKED: \_\_\_\_\_  
**REVISION NO.1**

DATE: \_\_\_\_\_ DRAWN: \_\_\_\_\_ CHECKED: \_\_\_\_\_

Lightning Protection

**BONDED** Systems, Ltd.

Corporate Office:  
122 Leasley Lane  
Argyle, TX 76226  
Tel: 800-950-7933  
Fax: 940-455-2225  
website: www.bondedlp.com

Installation of Lightning Protection Systems and Grounding Systems

**PROJECT TYPE**

**ROOF PLAN & LIGHTNING PROTECTION LAYOUT**

**PROJECT TITLE**

**STENNIS SPACE CENTER SOF RIVERINE AND COMBATANT CRAFT OPERATIONS FACILITY**

**BAY ST. LOUIS, MISSISSIPPI**

DRAWN	CHECKED	SHEET
B.SMITH	S.PHILLIPS	1 OF 1

ORIENTATION	JOB NO.	DATE
AS SHOWN	87839-08 LA	4/1/09

SCALE: 1/16" = 1'-0"