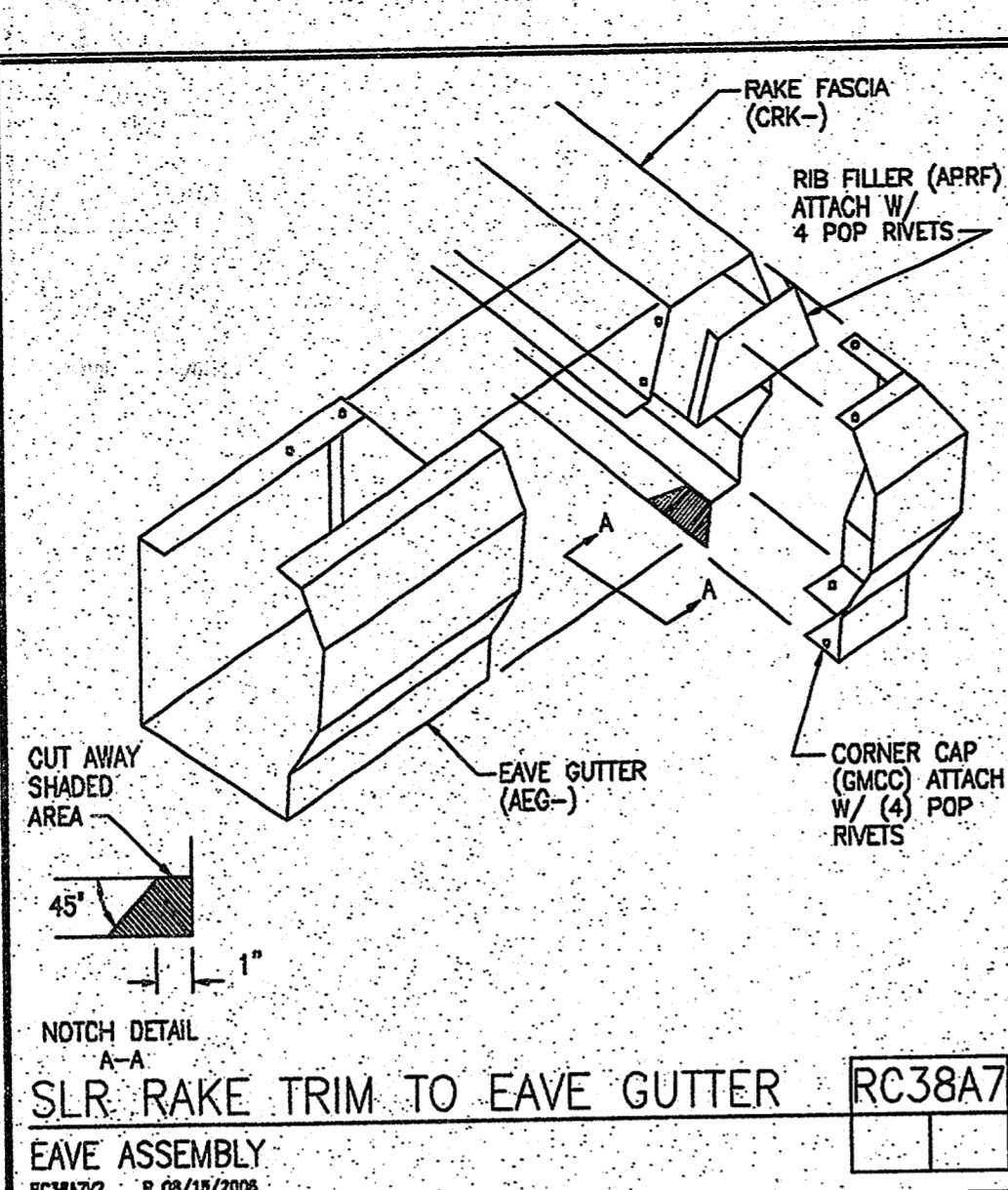
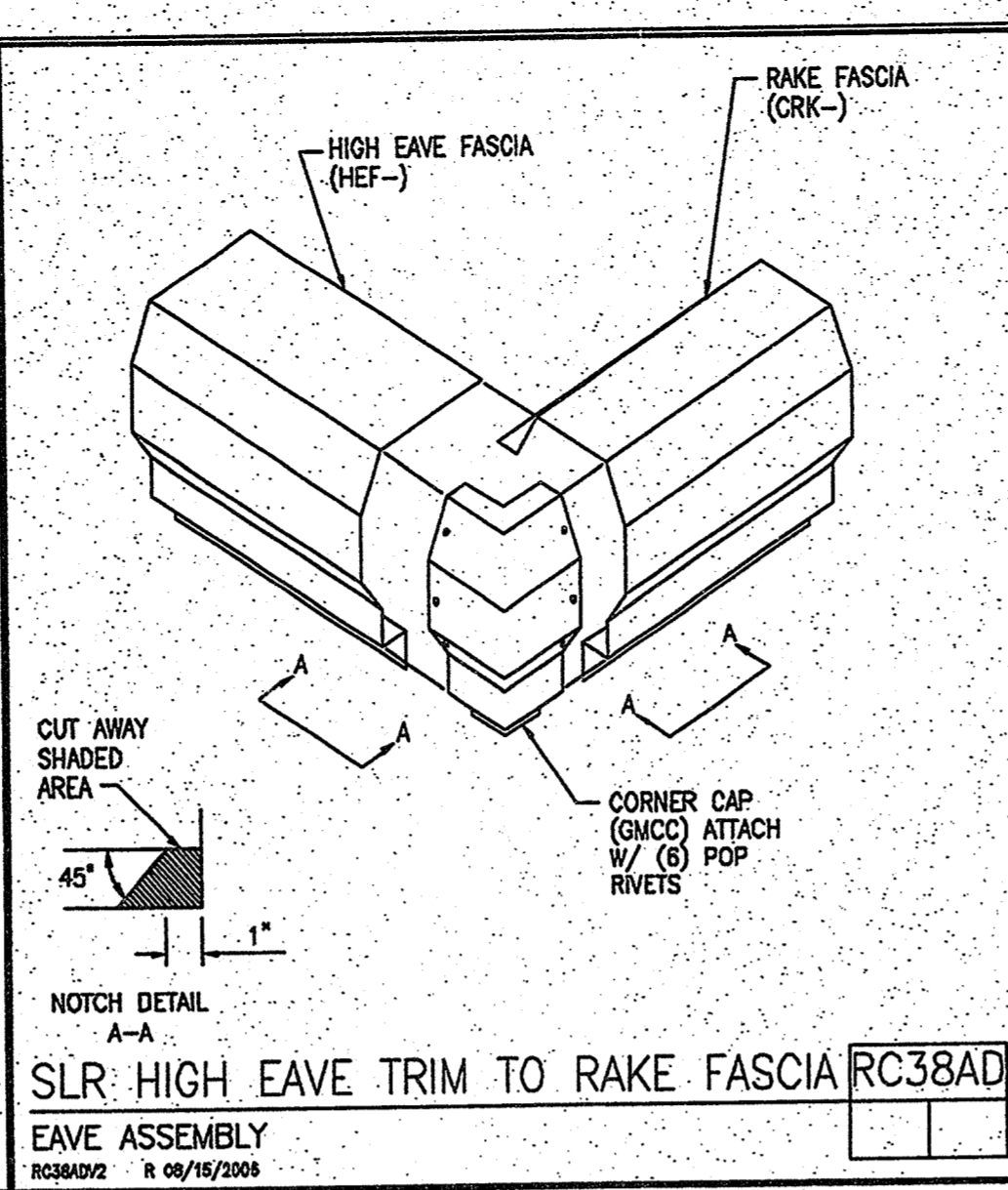


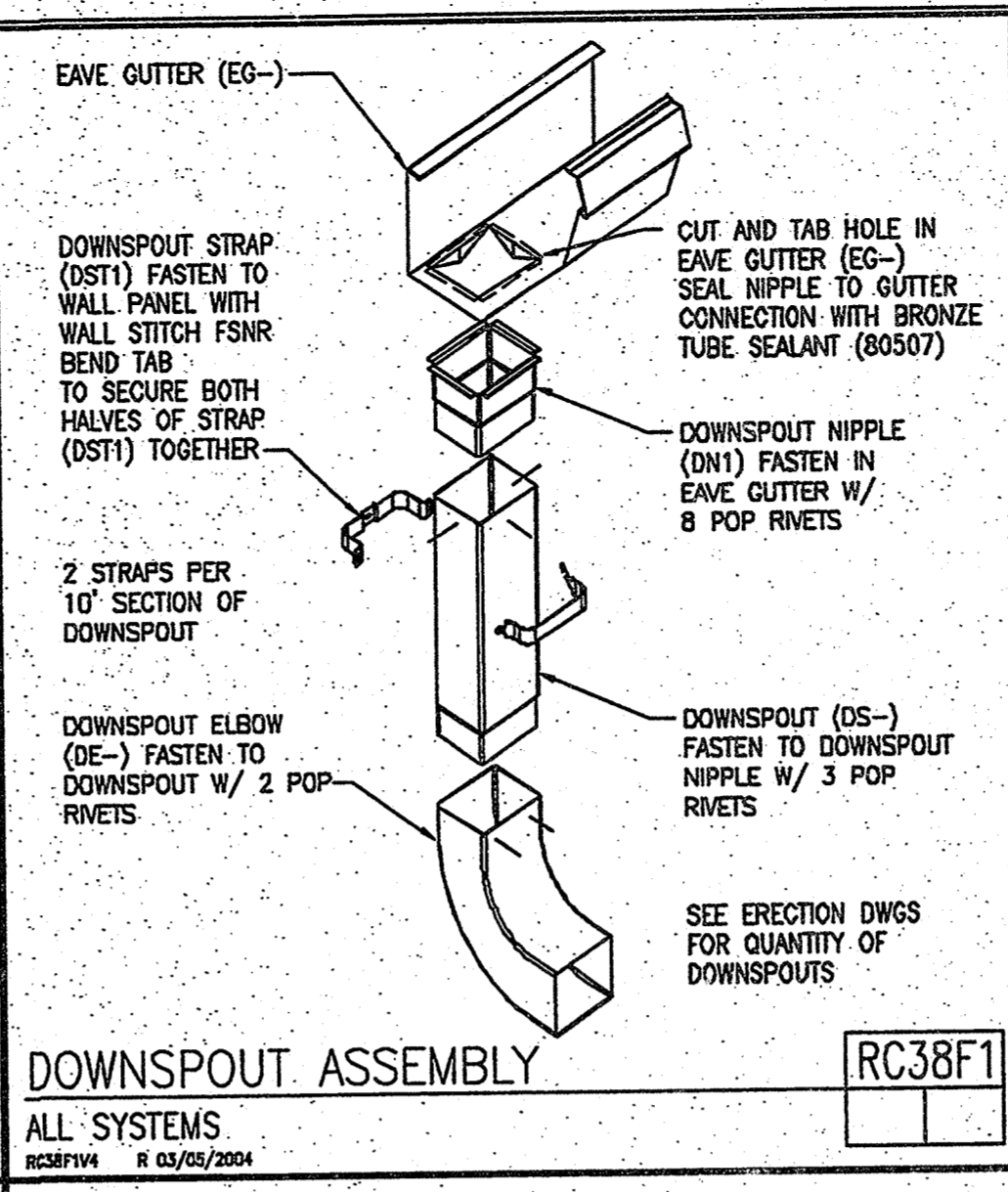
SLR ROOF W/EAVE GUTTER RC3264  
PR, VR OR RPR PANEL AT RAKE EXT OR CANOPY  
RC3264/2 R 08/14/2007



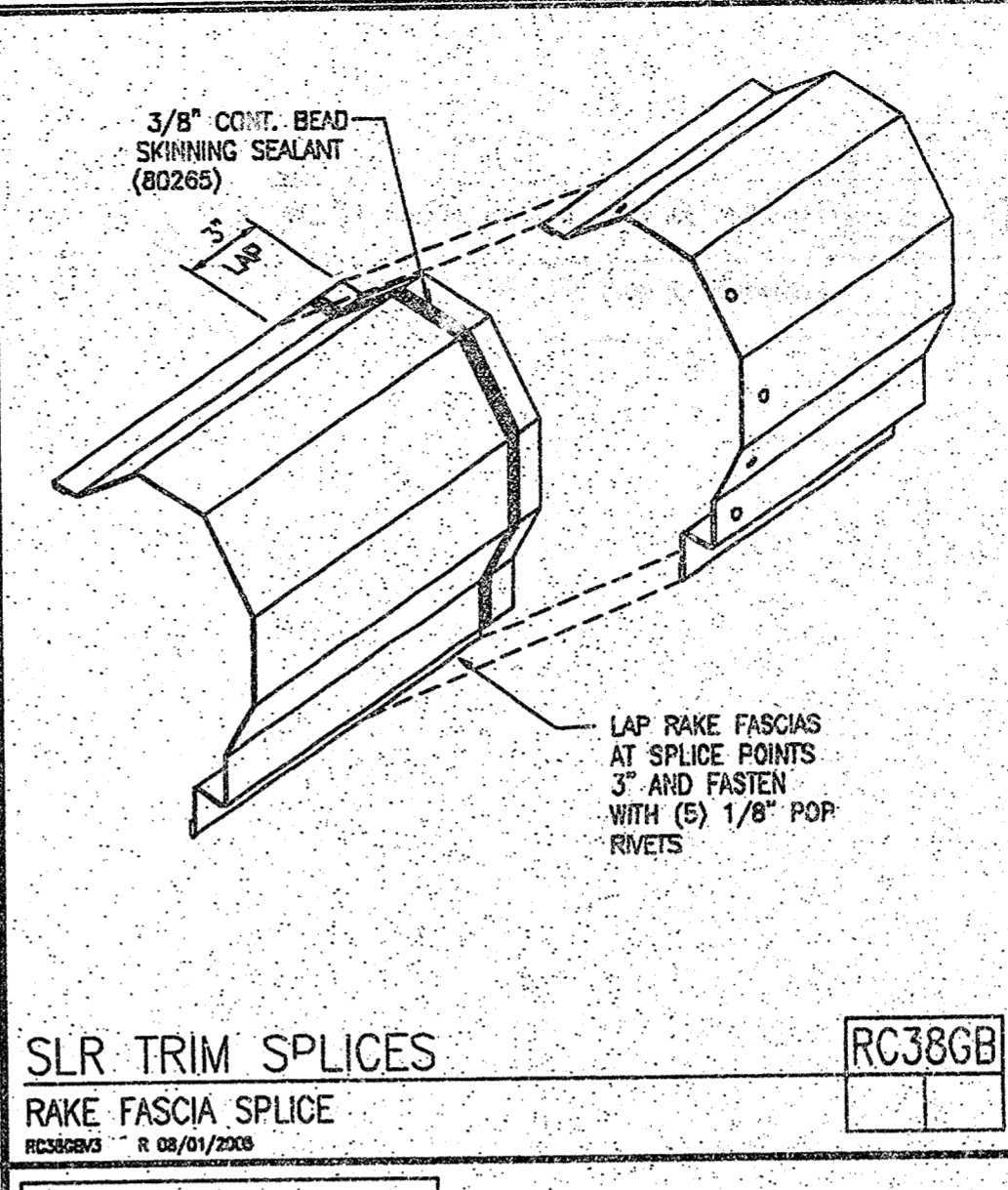
SLR RAKE TRIM TO EAVE GUTTER RC38A7  
EAVE ASSEMBLY  
RC38A7/2 R 08/14/2006



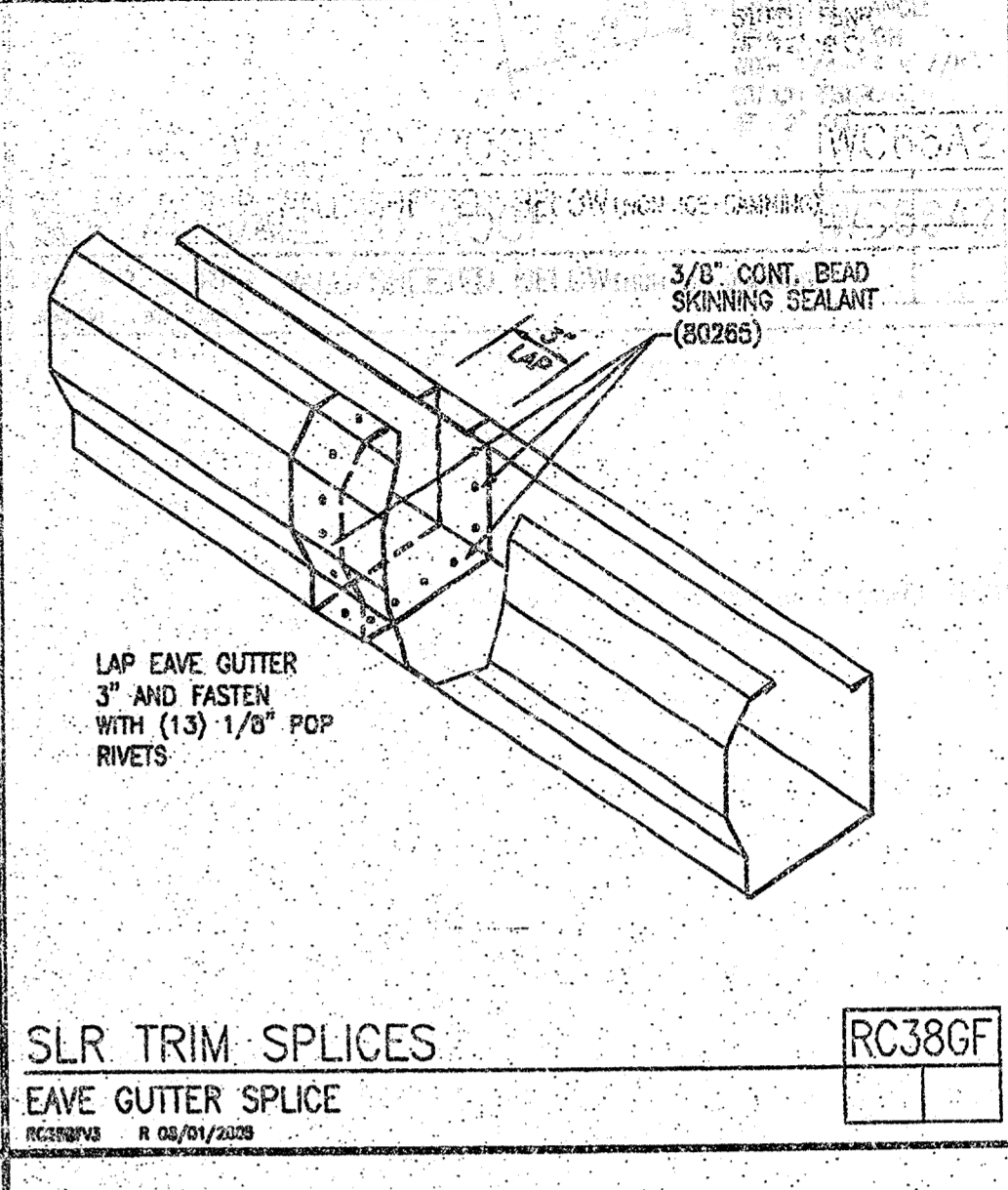
SLR HIGH EAVE TRIM TO RAKE FASCIA RC38AD  
EAVE ASSEMBLY  
RC38AD/2 R 08/14/2006



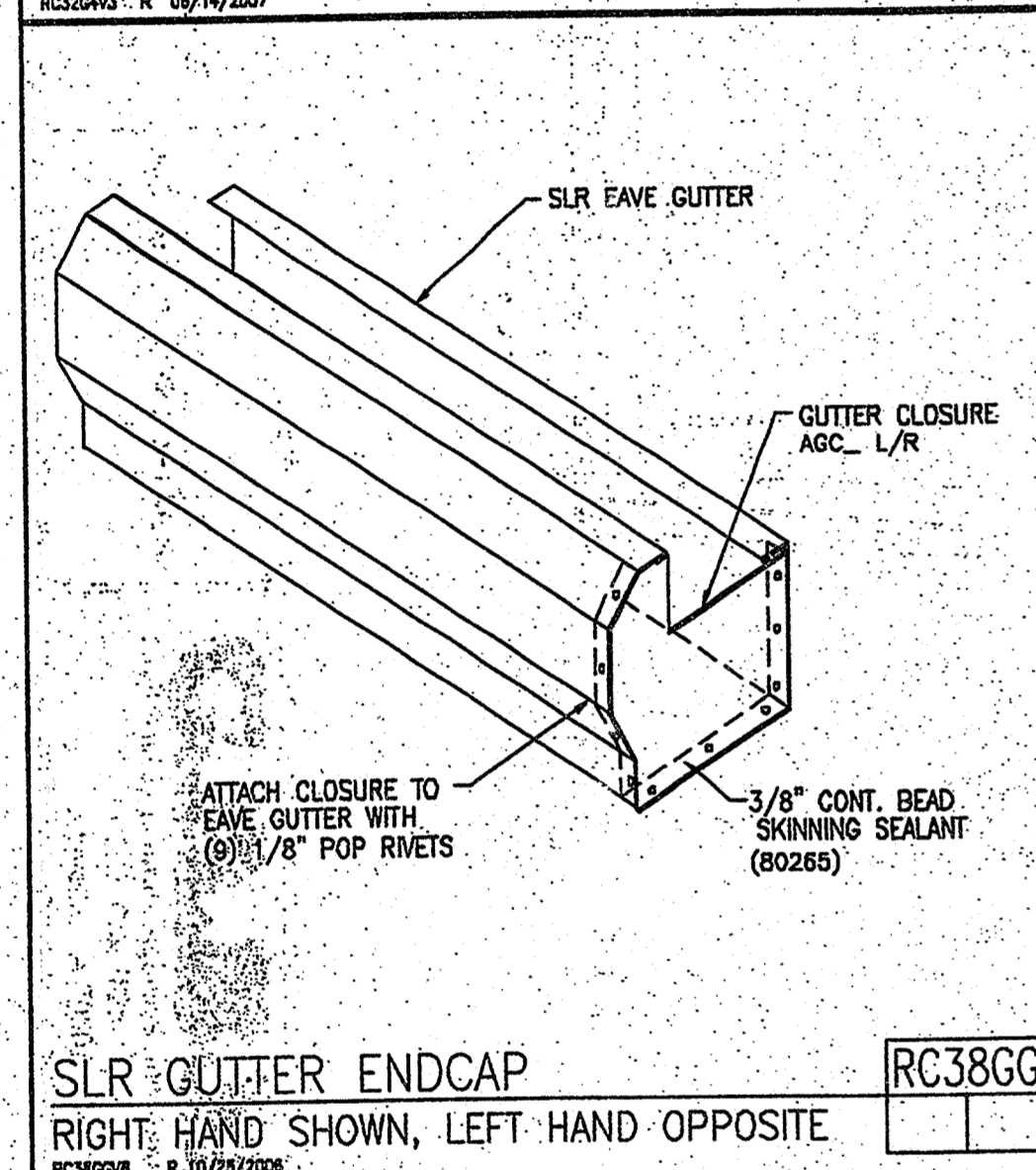
DOWNSPOUT ASSEMBLY RC38F1  
ALL SYSTEMS  
RC38F1/4 R 03/05/2004



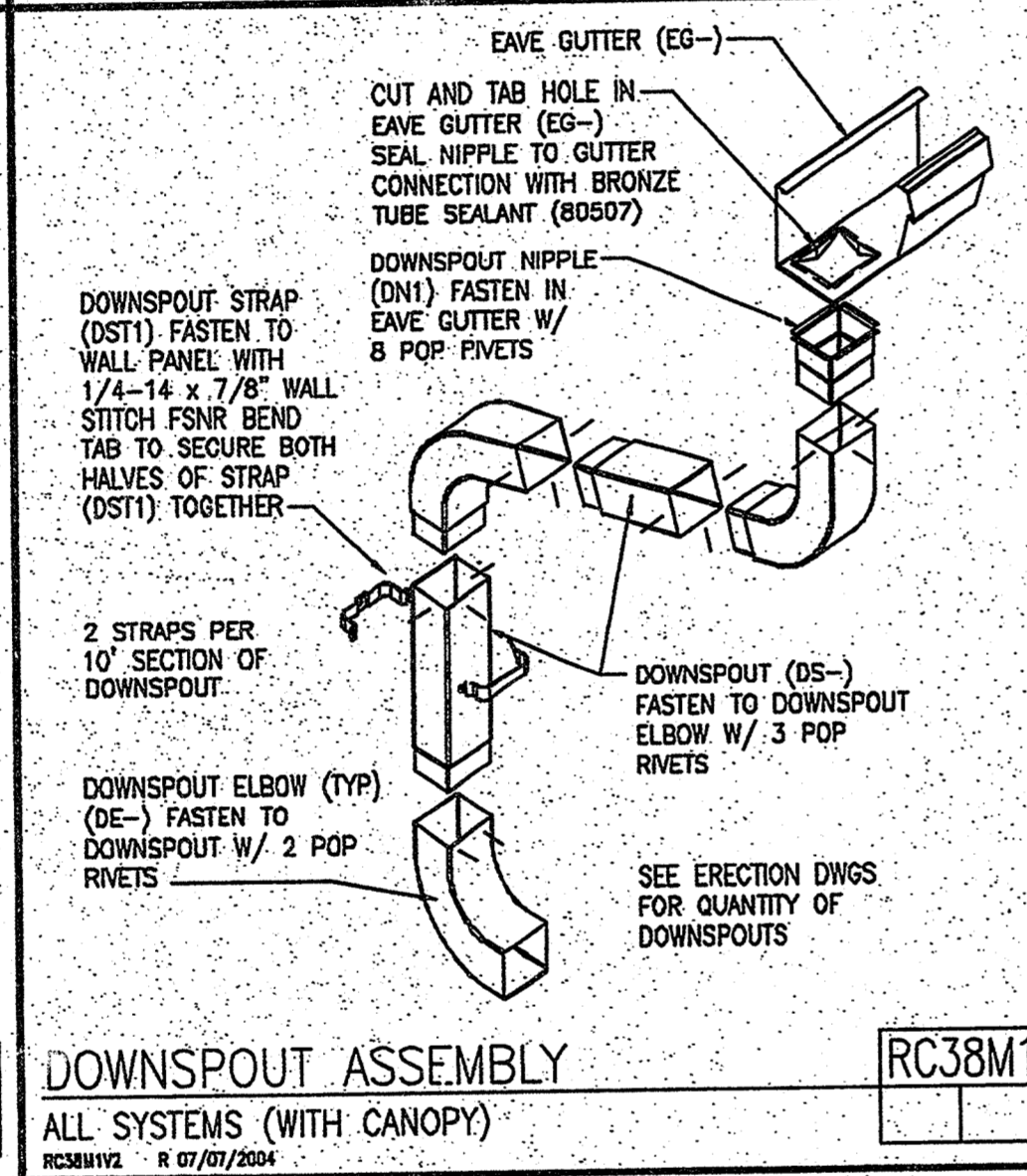
SLR TRIM SPLICES RC38GB  
RAKE FASCIA SPLICE  
RC38GB/3 R 08/01/2008



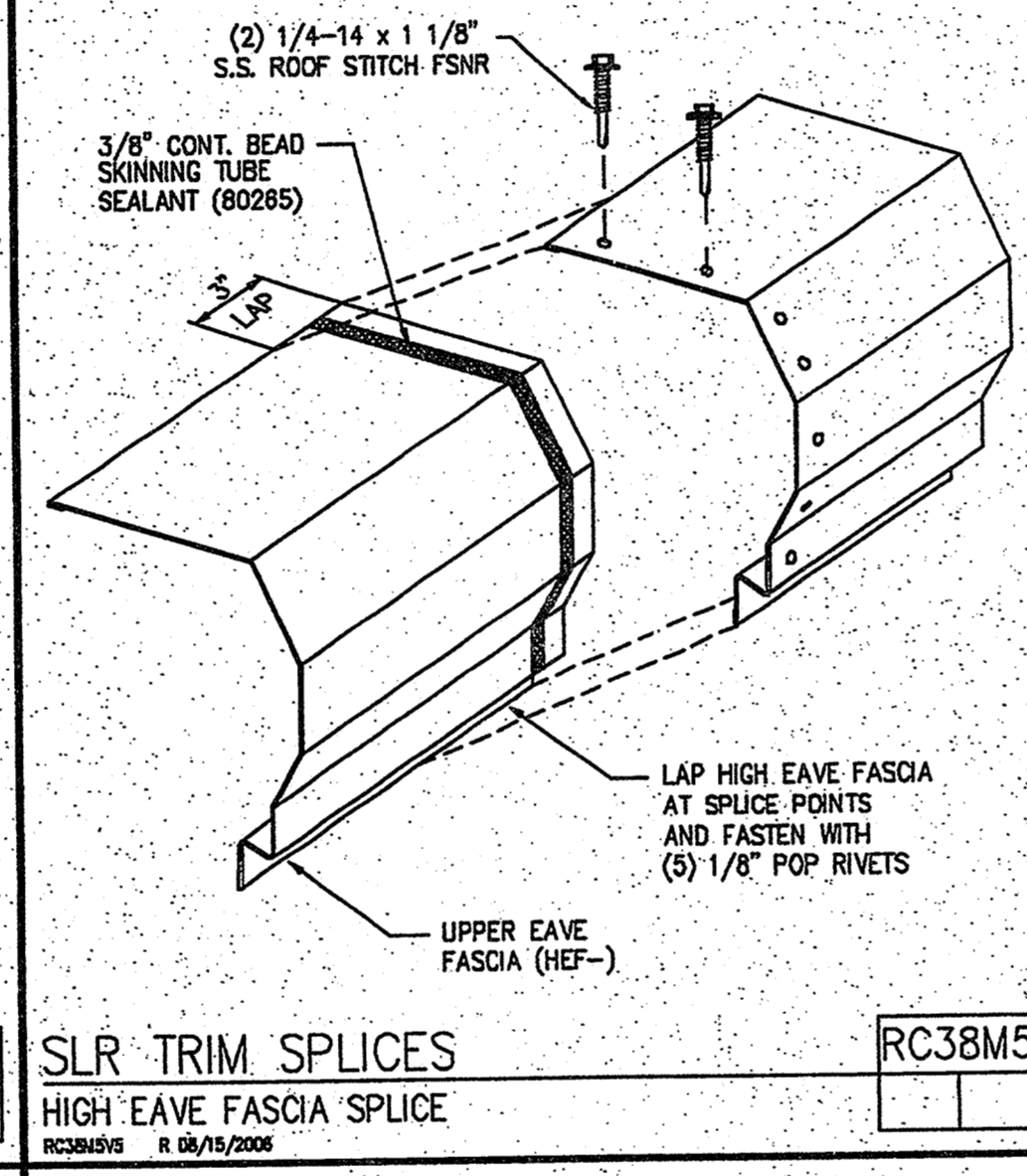
SLR TRIM SPLICES RC38GF  
EAVE GUTTER SPLICE  
RC38GF/3 R 08/01/2008



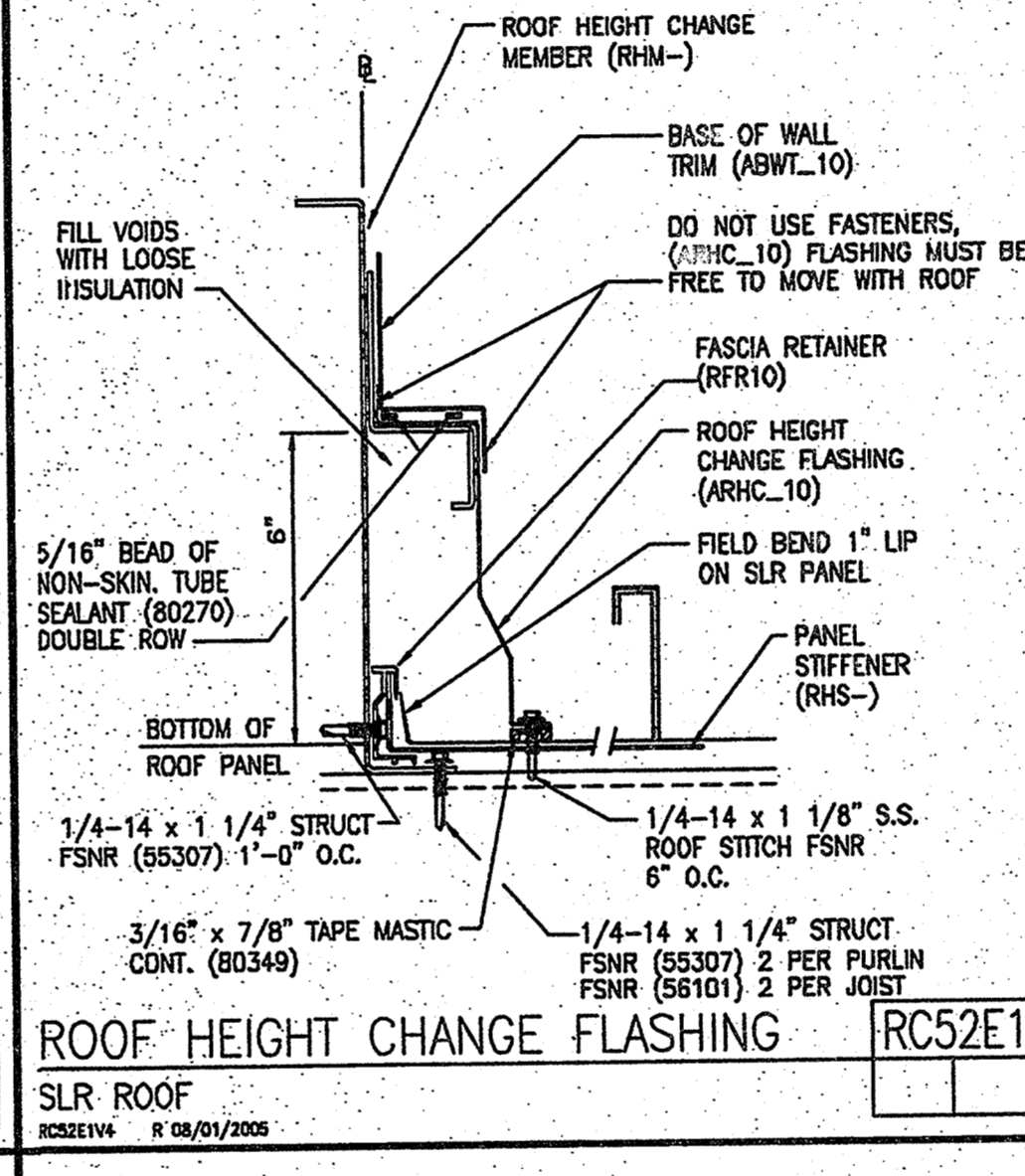
SLR GUTTER ENDCAP RC38GG  
RIGHT HAND SHOWN, LEFT HAND OPPOSITE  
RC38GG/8 R 10/23/2006



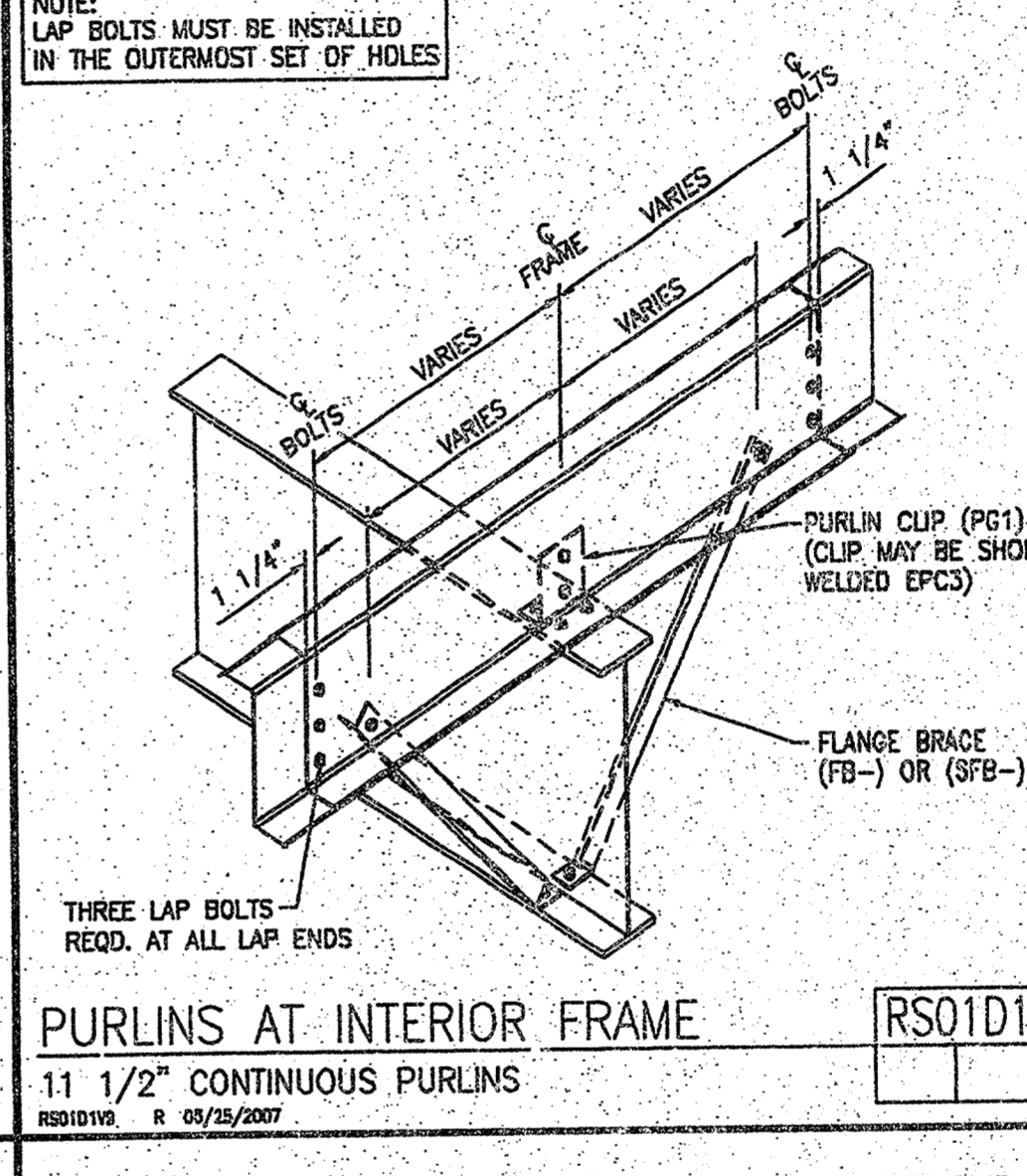
DOWNSPOUT ASSEMBLY RC38M1  
ALL SYSTEMS (WITH CANOPY)  
RC38M1/2 R 07/01/2004



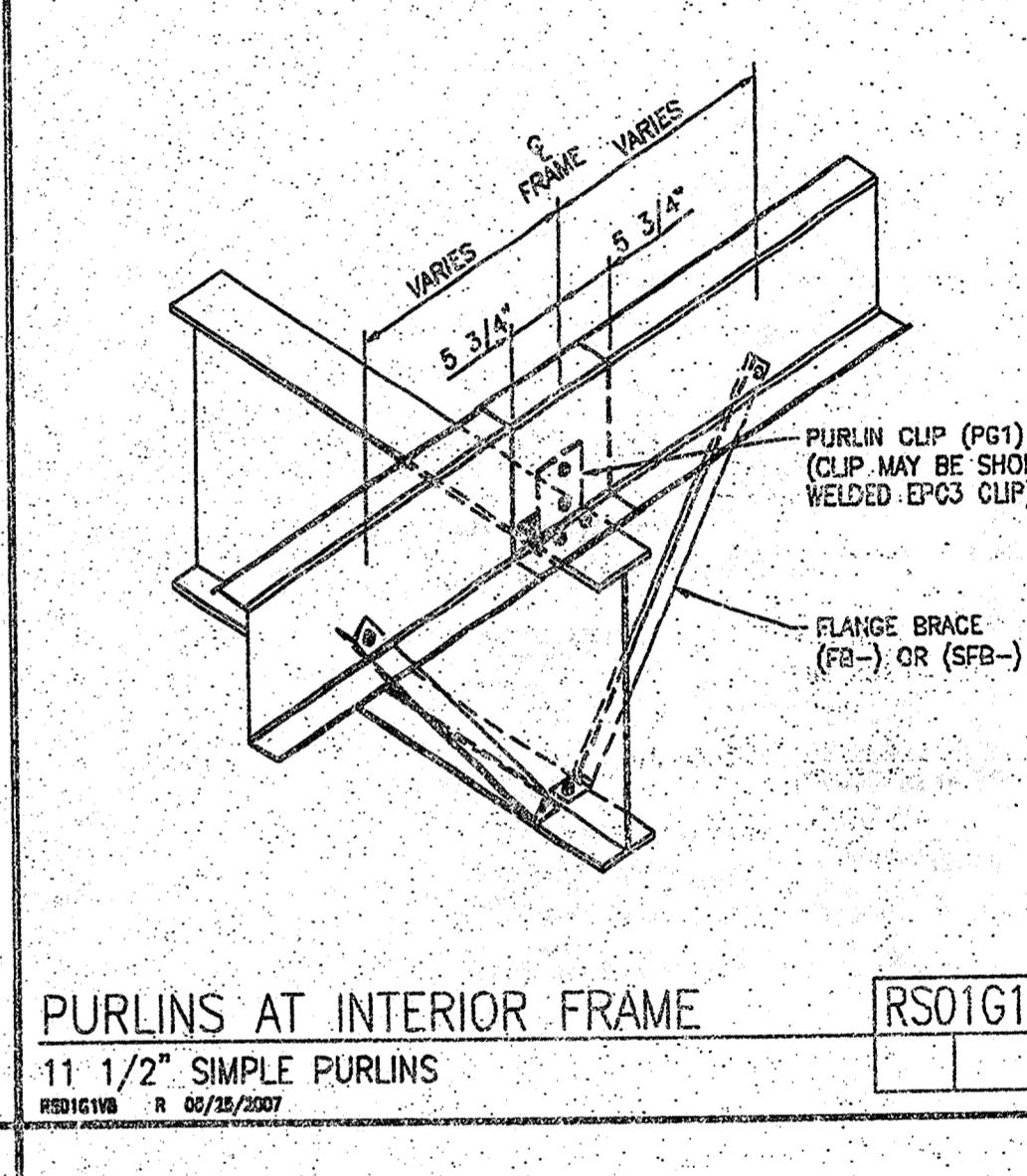
SLR TRIM SPLICES RC38M5  
HIGH EAVE FASCIA SPLICE  
RC38M5/5 R 08/15/2006



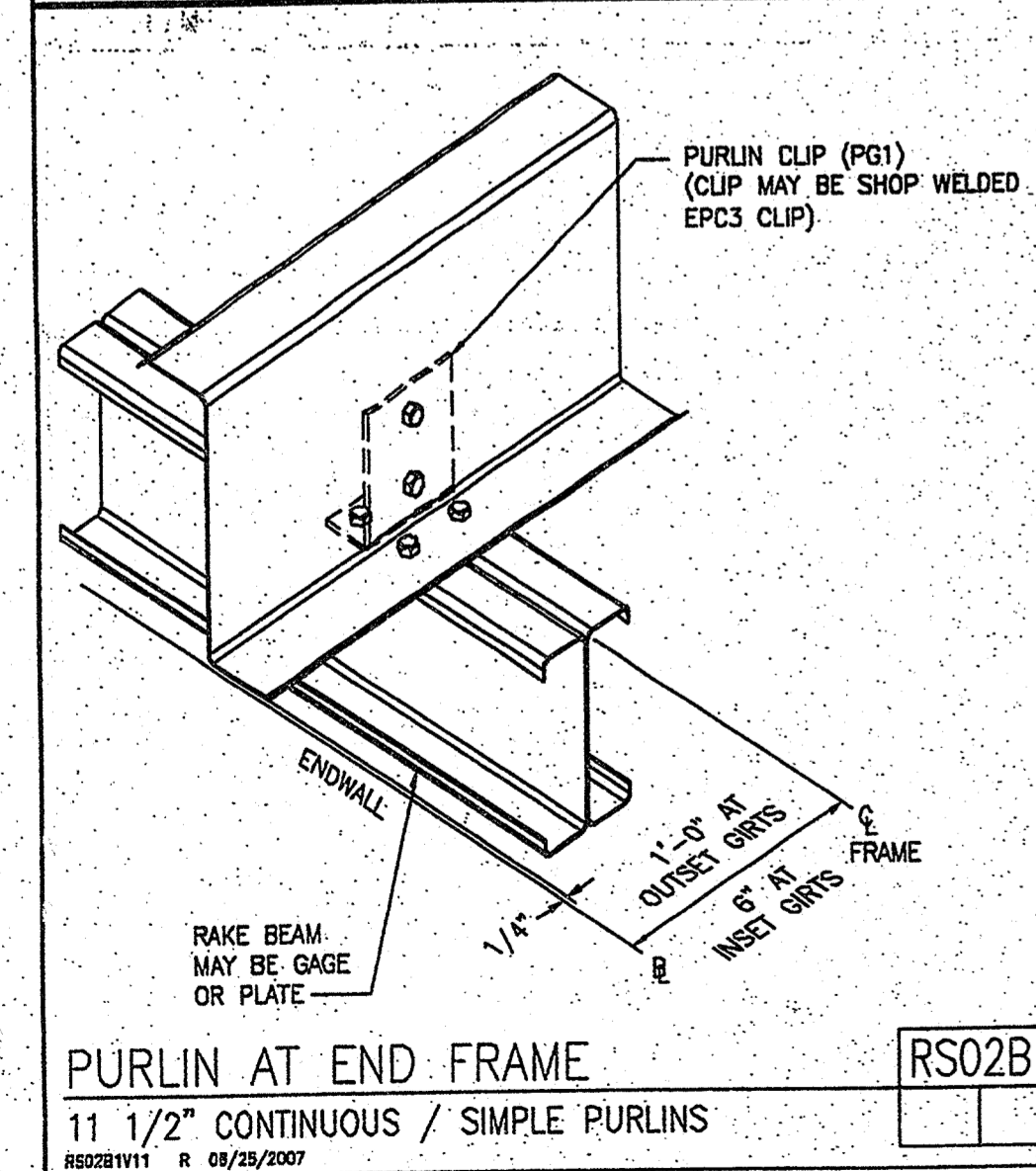
SLR HEIGHT CHANGE FLASHING RC52E1  
SLR ROOF  
RC52E1/4 R 08/01/2005



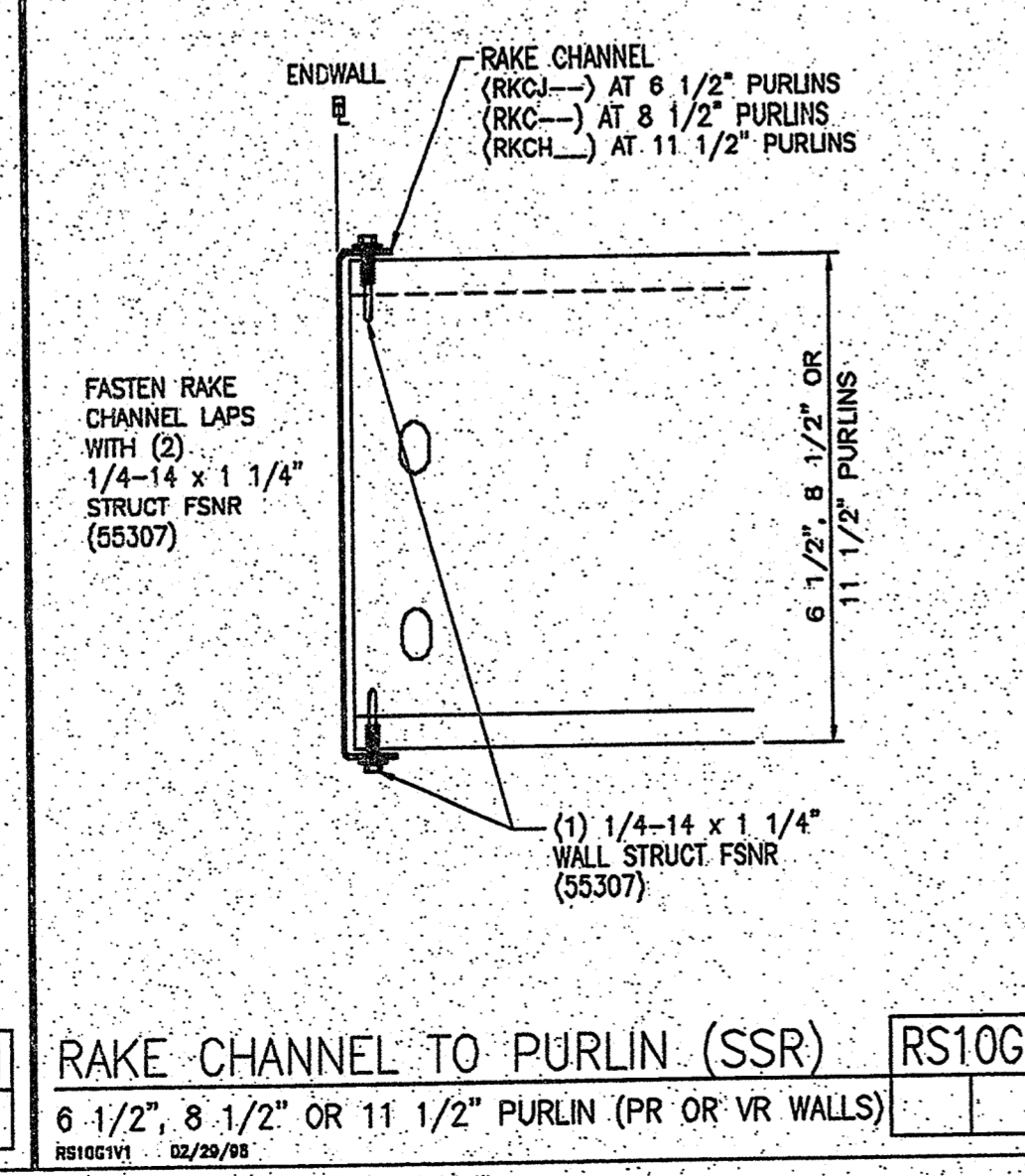
PURLINS AT INTERIOR FRAME RS01D1  
11 1/2" CONTINUOUS PURLINS  
RS01D1/8 R 03/25/2007



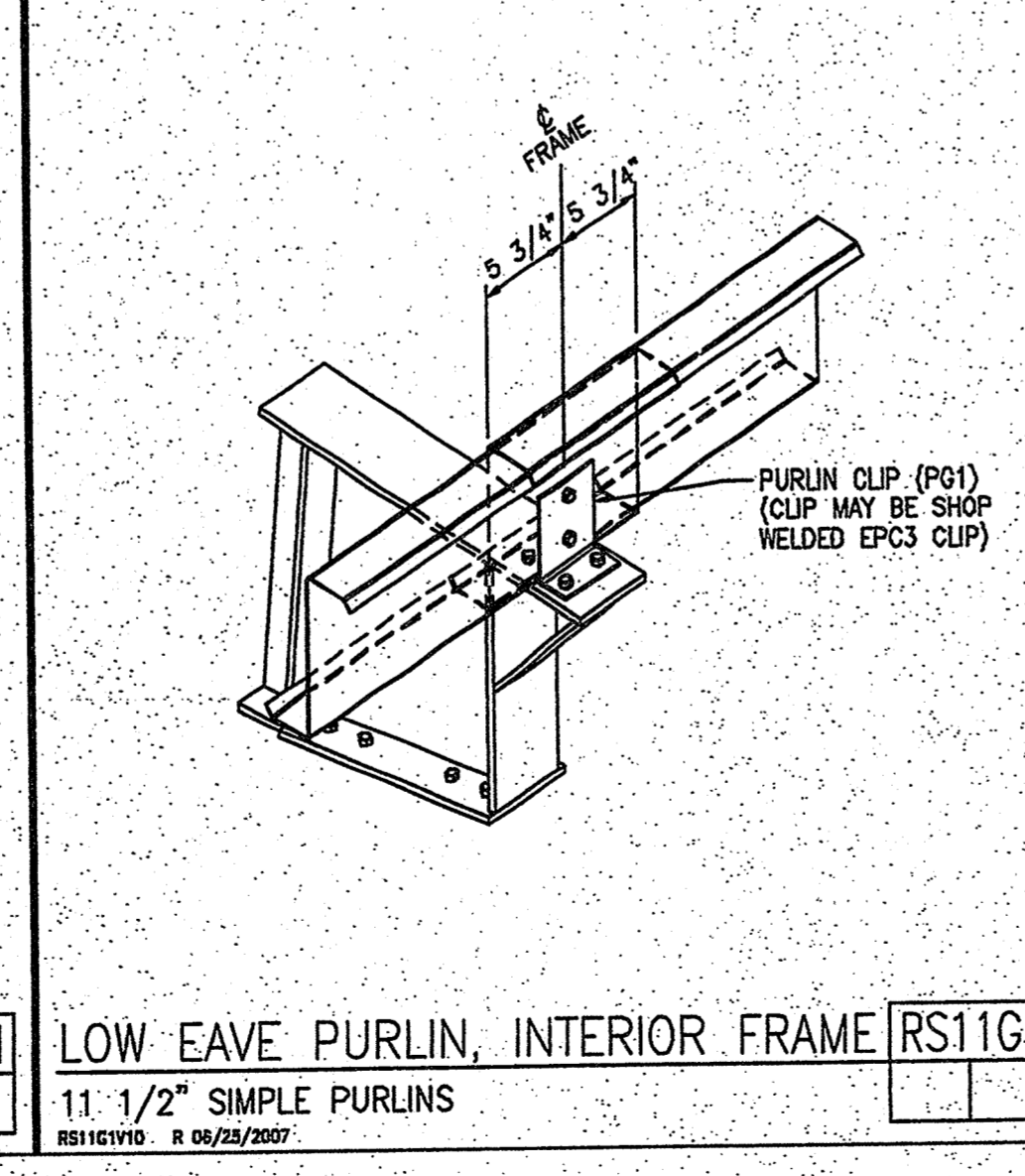
PURLINS AT INTERIOR FRAME RS01G1  
11 1/2" SIMPLE PURLINS  
RS01G1/8 R 03/25/2007



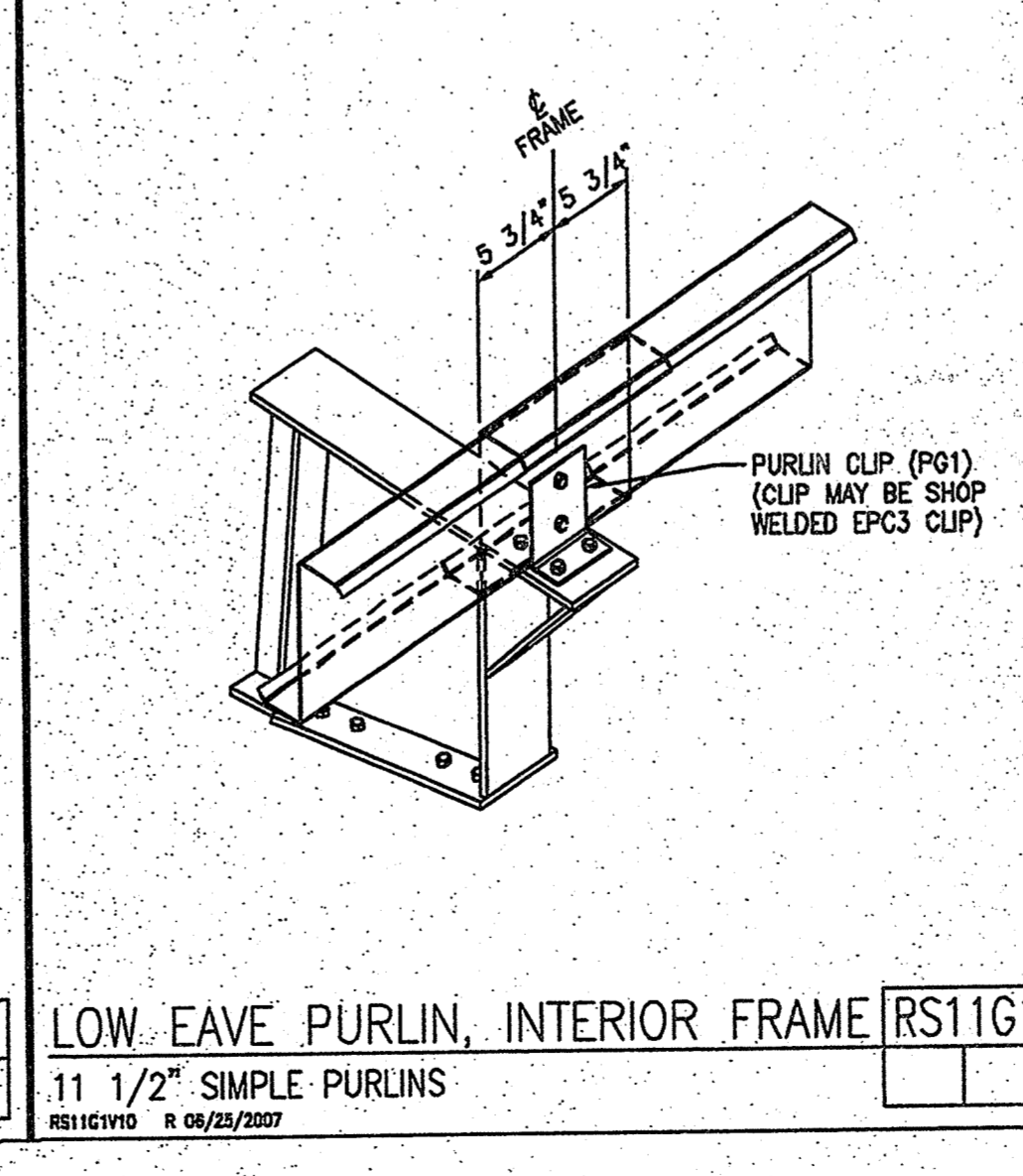
PURLIN AT END FRAME RS02B1  
11 1/2" CONTINUOUS / SIMPLE PURLINS  
RS02B1/11 R 08/28/2007



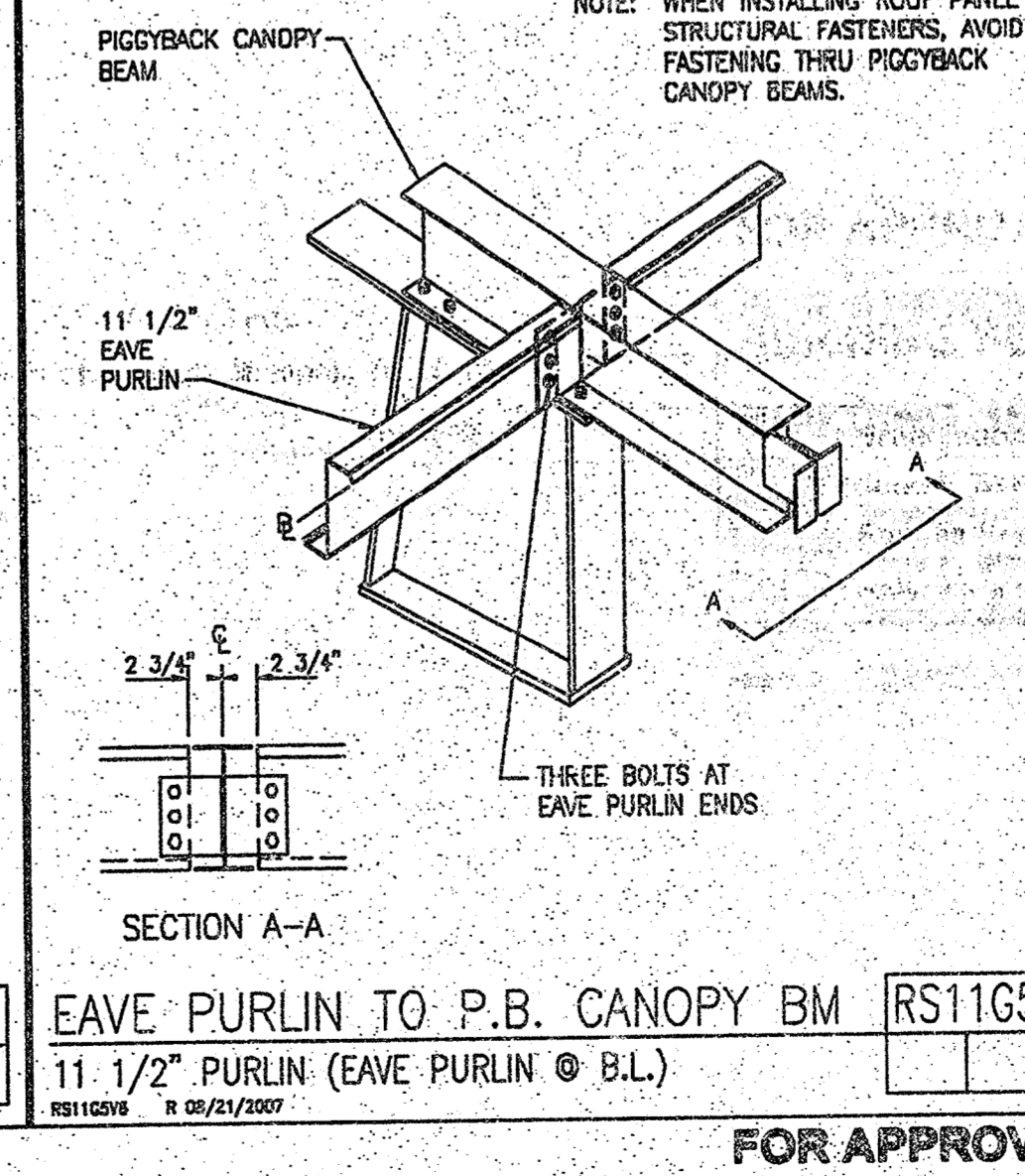
RAKE CHANNEL TO PURLIN (SSR) RS10G1  
6 1/2", 8 1/2" OR 11 1/2" PURLIN (PR OR VR WALLS)  
RS10G1/11 R 02/28/08



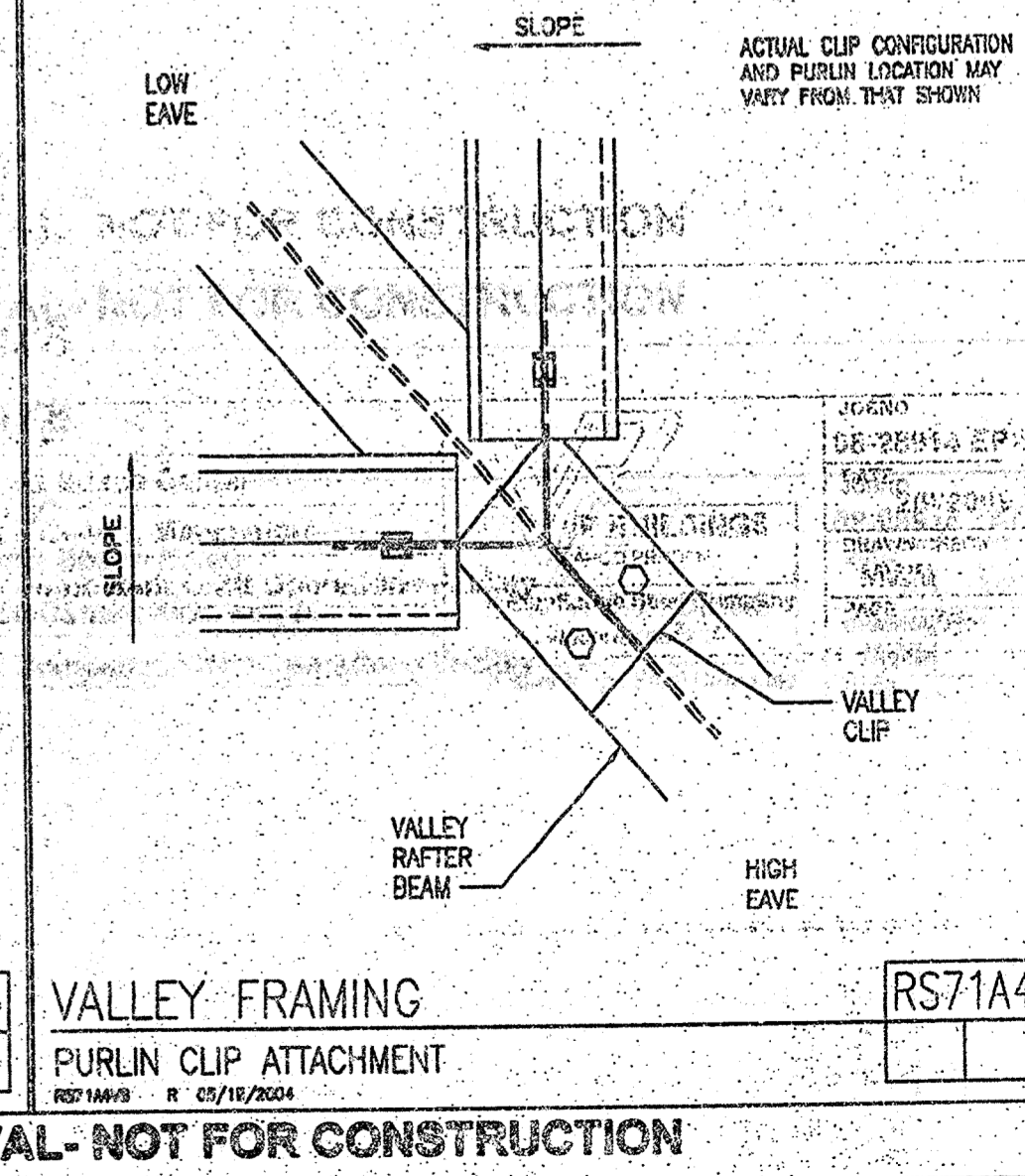
LOW EAVE PURLIN, INTERIOR FRAME RS11G1  
11 1/2" SIMPLE PURLINS  
RS11G1/10 R 08/23/2007



LOW EAVE PURLIN, INTERIOR FRAME RS11G1  
11 1/2" SIMPLE PURLINS  
RS11G1/10 R 08/23/2007



EAVE PURLIN TO P.B. CANOPY BM RS11G5  
11 1/2" PURLIN (EAVE PURLIN @ B.L.)  
RS11G5/9 R 05/15/2004



VALLEY FRAMING RS71A4  
PURLIN CLIP ATTACHMENT  
RS71A4/3 R 05/15/2004

FOR APPROVAL - NOT FOR CONSTRUCTION

THE VP ENGINEER'S SEAL APPLIES ONLY TO THE WORK PRODUCT OF VP AND DESIGN AND PERFORMANCE REQUIREMENTS SPECIFIED BY VP. THE VP ENGINEER'S SEAL DOES NOT APPLY TO THE PERFORMANCE OR DESIGN OF ANY OTHER PRODUCT OR COMPONENT FURNISHED BY VP EXCEPT TO ANY DESIGN OR PERFORMANCE REQUIREMENTS SPECIFIED BY VP.

THIS DRAWING, INCLUDING THE INFORMATION HEREON, REMAINS THE PROPERTY OF VP BUILDINGS. IT IS PROVIDED SOLELY FOR ERECTING THE BUILDING DESCRIBED IN THE APPLICABLE PURCHASE ORDER AND SHALL NOT BE REPRODUCED OR USED FOR ANY OTHER PURPOSE WITHOUT PRIOR WRITTEN APPROVAL OF VP BUILDINGS. THE GENERAL CONTRACTOR AND/OR ERECTOR IS SOLELY RESPONSIBLE FOR ACCURATE, GOOD QUALITY WORKMANSHIP IN ERECTING THIS BUILDING IN CONFORMANCE WITH THIS DRAWING, DETAILS REFERENCED IN THIS DRAWING, ALL APPLICABLE VP ERECTION GUIDES, AND INDUSTRY STANDARDS PERTAINING TO PROPER ERECTION, INCLUDING THE CORRECT USE OF TEMPORARY

VP Buildings			
REV	DATE	BY	DESCRIPTION
3200 Players Club Circle Memphis TN 38125			

BUILDING SED'S		JOB NO.	
BUILDER	Broadmoor, LLC		08-28914 EPI
CUSTOMER	John F. Stennis Space Center	DATE	2/12/2009
LOCATION	Stennis Space Center, Mississippi	DRAWING CHECK	MVM
PROJECT	Riverine and Combatant Craft Operations Facility	PAGE	45

