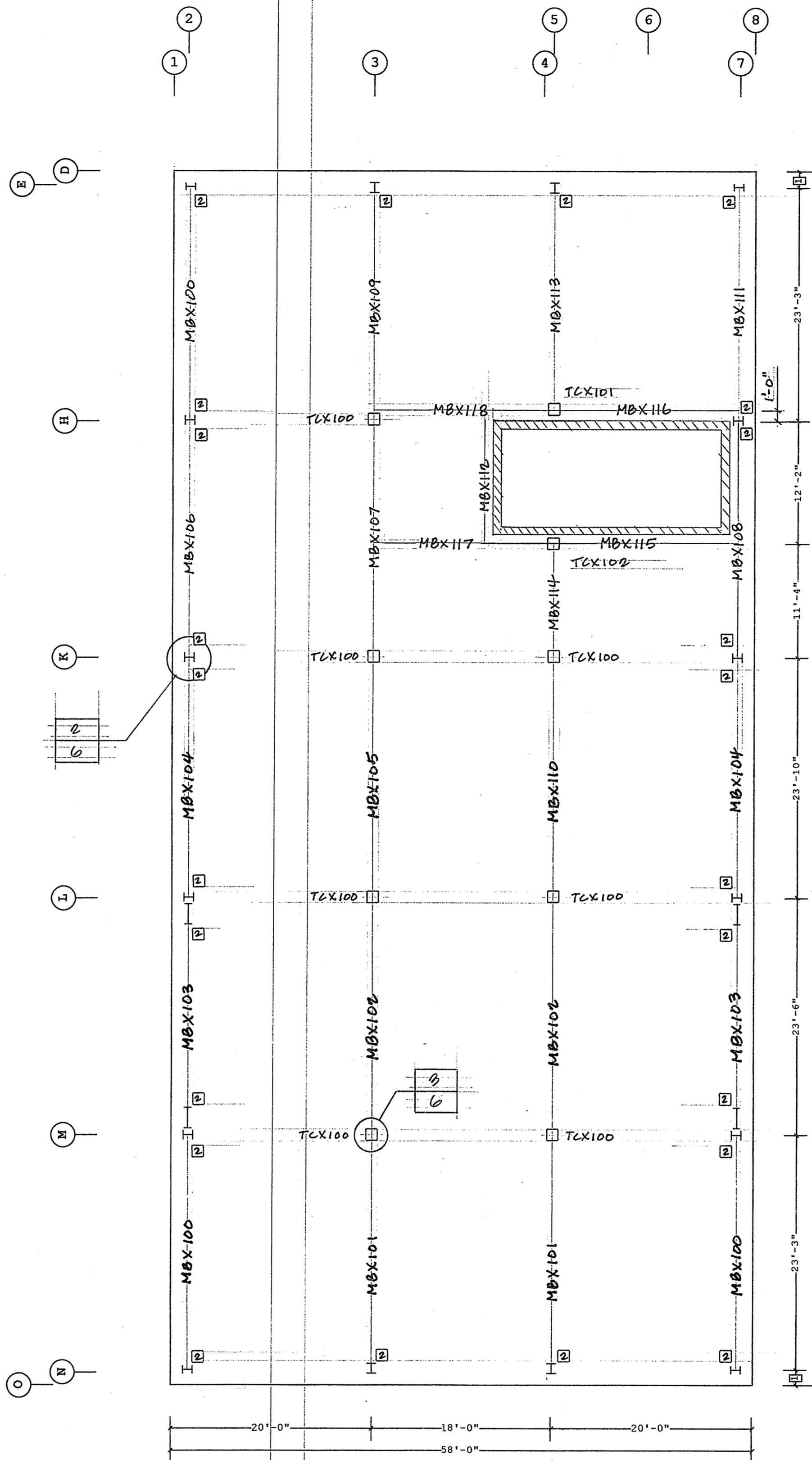
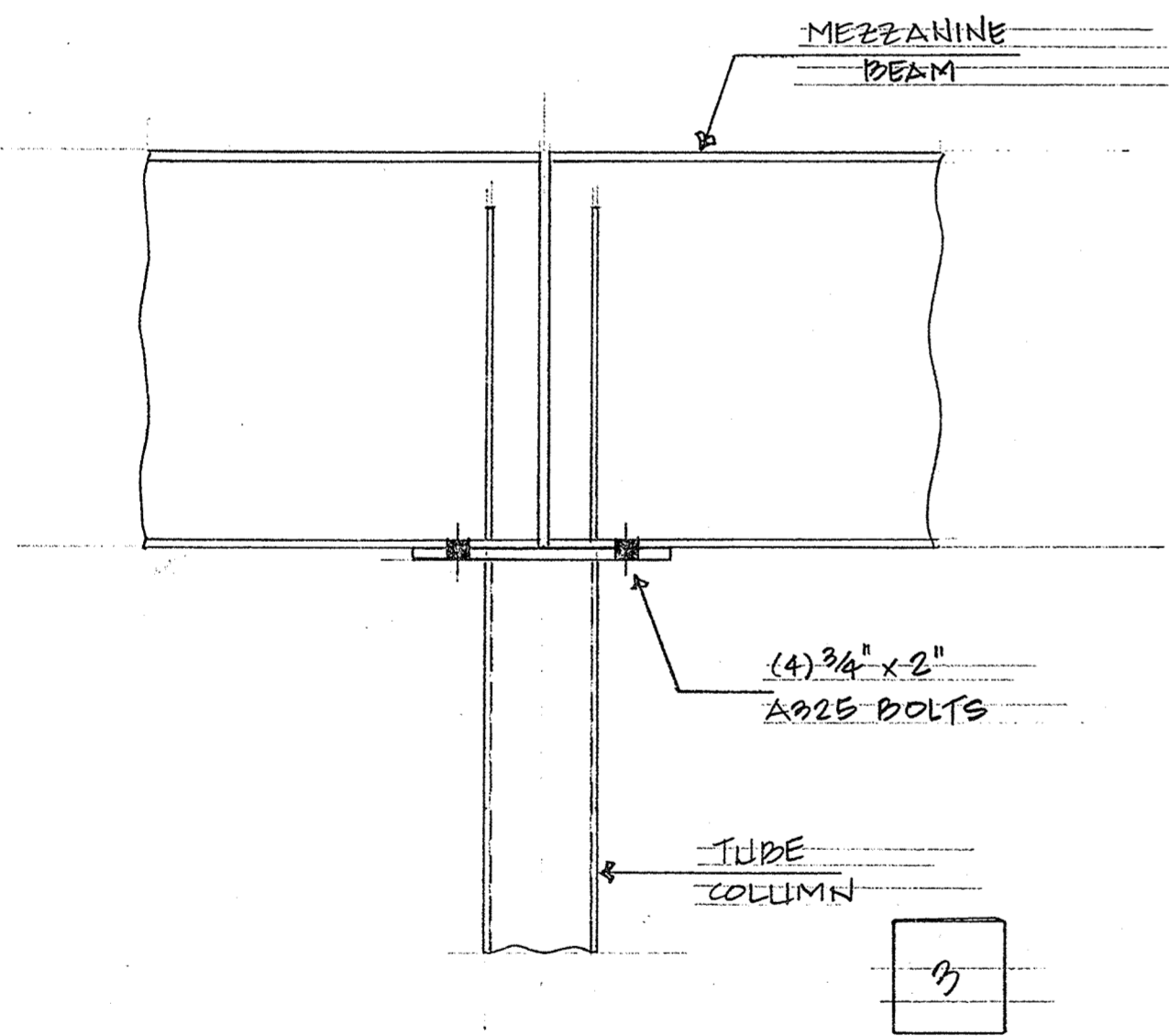
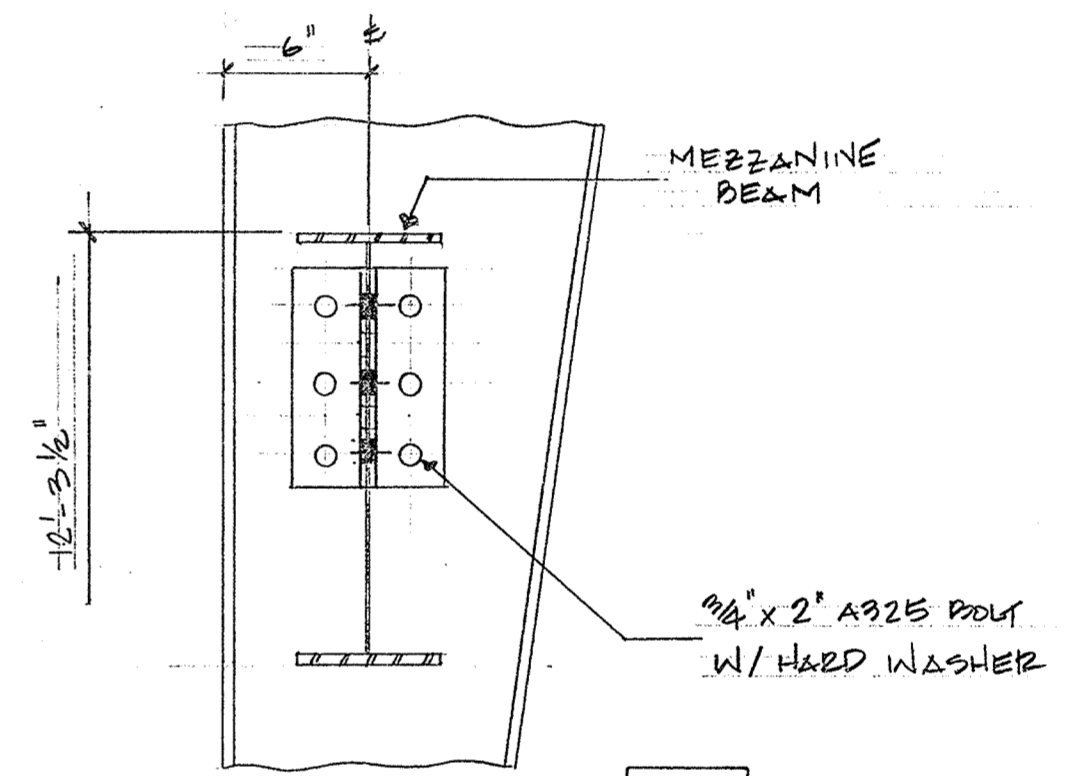


Mezzanine 1 @ 12/9/0
 Floor Type Non-Composite
 Loading Type Office
 Mezzanine Category Entire Floor
 Bracing Category Unbraced
 Top of Floor 12'-9"
 Total Thickness of Deck + Topping 3"
 Top of Joist 12'-6"
 Min. Clearance from Floor to Rafter 9'-6"
 Min. Clearance from Floor to Joist 11'-4"
 Floor Dead Load 50.00 psf
 Floor Live Load 100.00 psf Not Reducible
 Coll. Load: 5.00 psf
 Floor Live Load Deflection 360
 Floor Dead + Floor Live Deflection 240

Part	Mem. Width	Thick.	Webthk	Depth	Approx. Lgth
MBX100	6"	.5000	.1875	1'-6"	23'-1 3/4"
MBX101	8"	.5000	.1875	1'-6"	22'-7 1/4"
MBX102	8"	.5000	.1875	1'-6"	23'-5 1/2"
MBX103	6"	.5000	.1875	1'-6"	18'-1"
MBX104	6"	.5000	.1875	1'-6"	23'-8 3/4"
MBX105	8"	.5000	.1875	1'-6"	23'-9 1/2"
MBX106	6"	.5000	.1875	1'-6"	23'-4 3/4"
MBX107	8"	.5000	.2500	1'-6"	23'-5 1/2"
MBX108	8"	.6250	.1875	1'-6"	23'-4 3/4"
MBX109	8"	.5000	.1875	1'-6"	22'-7 1/4"
MBX110	8"	.5000	.1875	1'-6"	24'-9 3/4"
MBX111	6"	.5000	.1875	1'-6"	23'-1 3/4"
MBX112	6"	.3125	.1345	11"	13'-0 3/4"
MBX113	8"	.5000	.1875	1'-6"	22'-6"
MBX114	6"	.3125	.1644	11"	10'-6"
MBX115	6"	.3125	.1345	1'-2"	18'-2 3/4"
MBX116	6"	.3125	.1345	1'-2"	18'-2 3/4"
MBX117	8"	.3750	.1875	1'-2"	17'-10 3/4"
MBX118	8"	.3750	.1875	1'-2"	17'-10 3/4"



MEZZANINE LAYOUT



NOTE: WASHERS ARE REQUIRED OVER ALL SLOTS FOUND IN BOLTED CONNECTIONS.



2 (2) MBX100
 1 1'-7"
 Dimension Key

Shape Name = Operations Building, Wall = 1

THE VP ENGINEER'S SEAL APPLIES ONLY TO THE WORK PRODUCT OF VP AND DESIGN AND PERFORMANCE REQUIREMENTS SPECIFIED BY VP. THE VP ENGINEER'S SEAL DOES NOT APPLY TO THE PERFORMANCE OR DESIGN OF ANY OTHER PRODUCT OR COMPONENT FURNISHED BY VP EXCEPT TO ANY DESIGN OR PERFORMANCE REQUIREMENTS SPECIFIED BY VP.

THIS DRAWING, INCLUDING THE INFORMATION HEREON, REMAINS THE PROPERTY OF VP BUILDINGS. IT IS PROVIDED SOLELY FOR ERECTING THE BUILDING DESCRIBED IN THE APPLICABLE PURCHASE ORDER AND SHALL NOT BE MODIFIED, REPRODUCED OR USED FOR ANY OTHER PURPOSE WITHOUT PRIOR WRITTEN APPROVAL OF VP BUILDINGS. THE GENERAL CONTRACTOR AND/OR ERECTOR IS SOLELY RESPONSIBLE FOR ACCURATE, GOOD QUALITY WORKMANSHIP IN ERECTING THIS BUILDING IN CONFORMANCE WITH THIS DRAWING DETAILS REFERENCED IN THIS DRAWING. ALL APPLICABLE VP ERECTION GUIDES, AND INDUSTRY STANDARDS PERTAINING TO PROPER ERECTION, INCLUDING THE CORRECT USE OF TEMPORARY BRACING.

VP Buildings			
REV	DATE	BY	DESCRIPTION

MEZZANINE LAYOUT	
BUILDER	Broadmoor, LLC
CUSTOMER	John F. Stennis Space Center
LOCATION	Stennis Space Center, Mississippi
PROJECT	Riverine and Combatant Craft Operations Facility

JOBNO 08-28914 EP1
 DATE 16 APR 09
 DRAWN/CHECK PCD
 VP BUILDINGS
 VARIO PRUDEN
 A BlueScope Steel Company