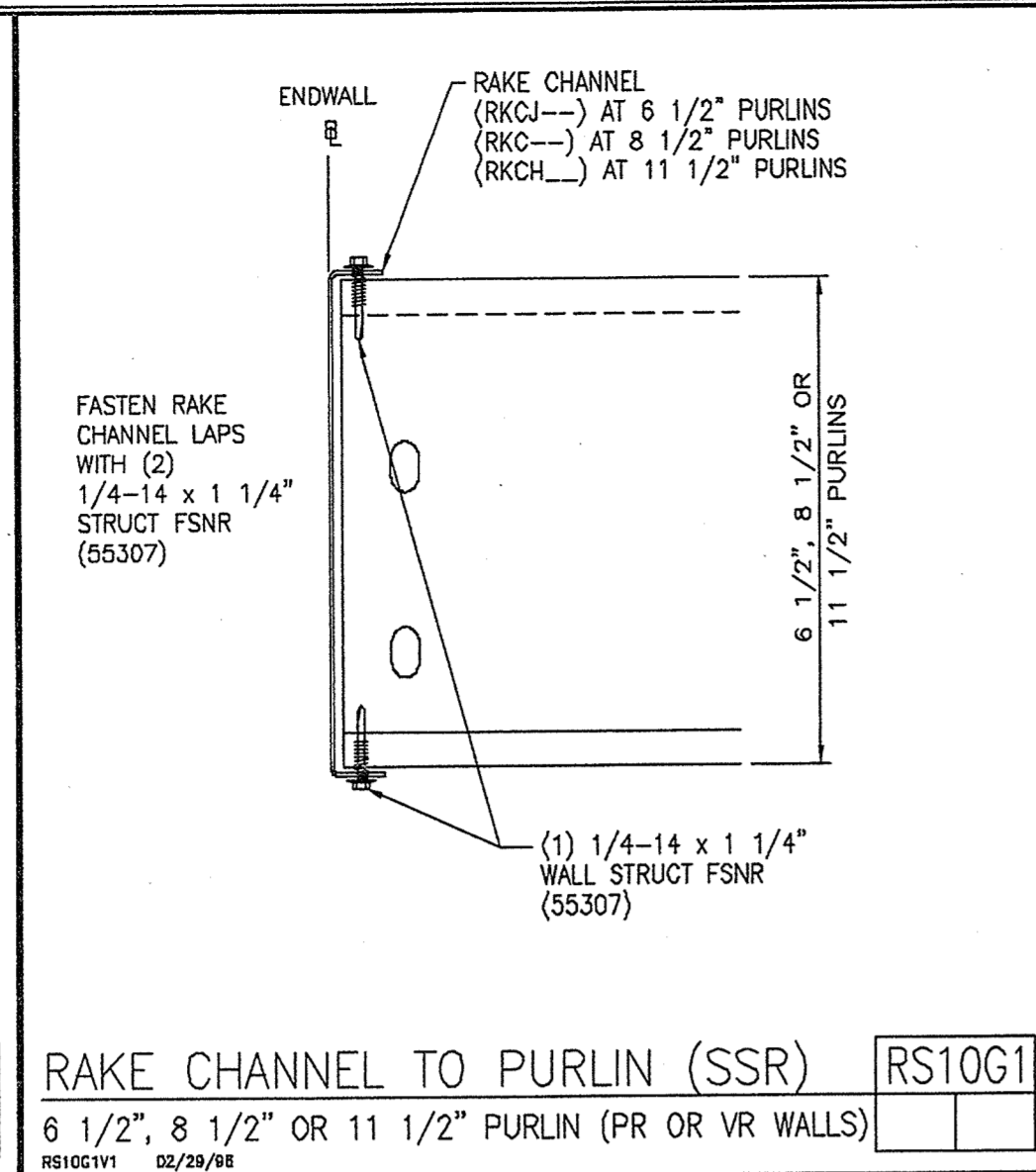
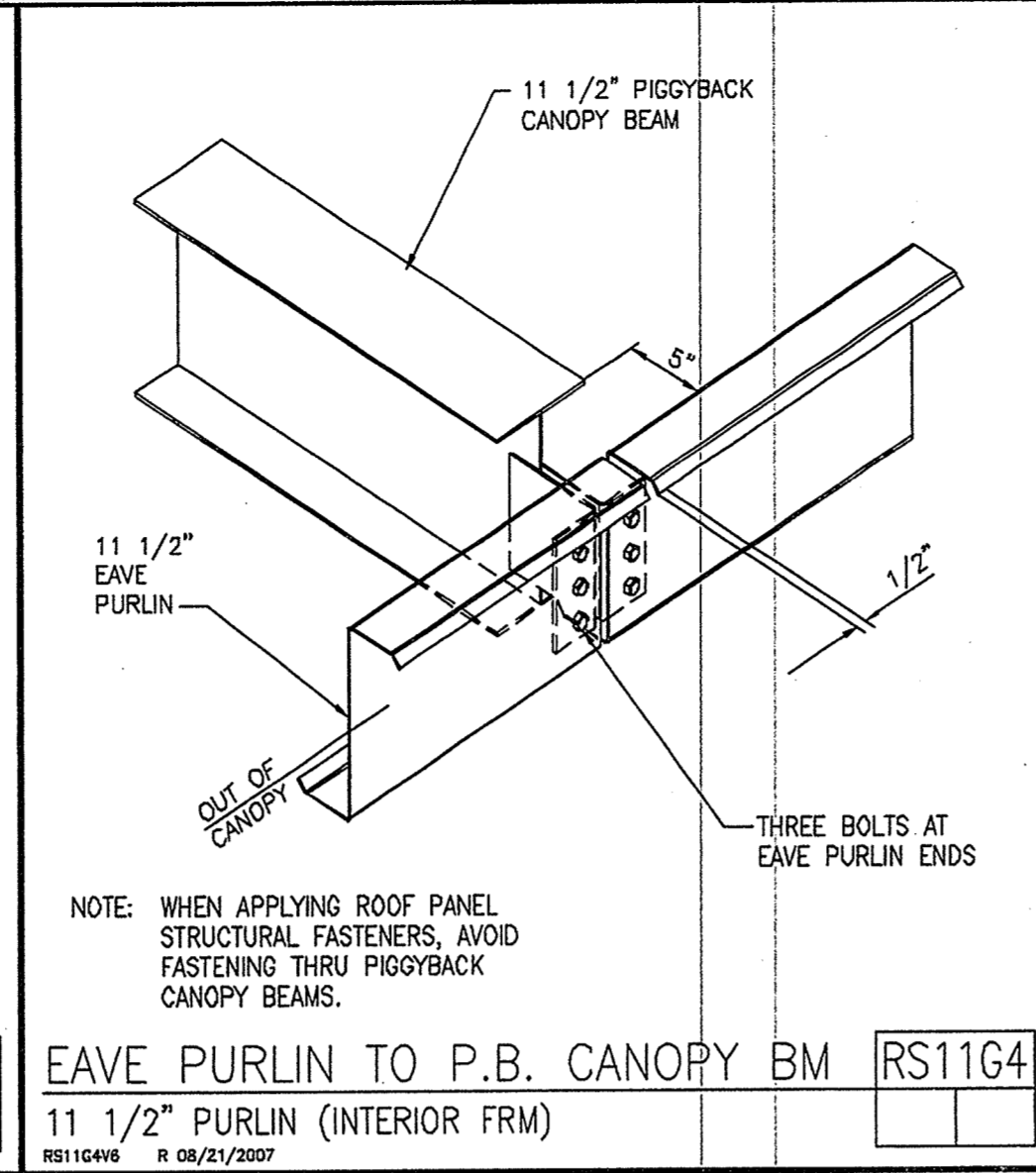


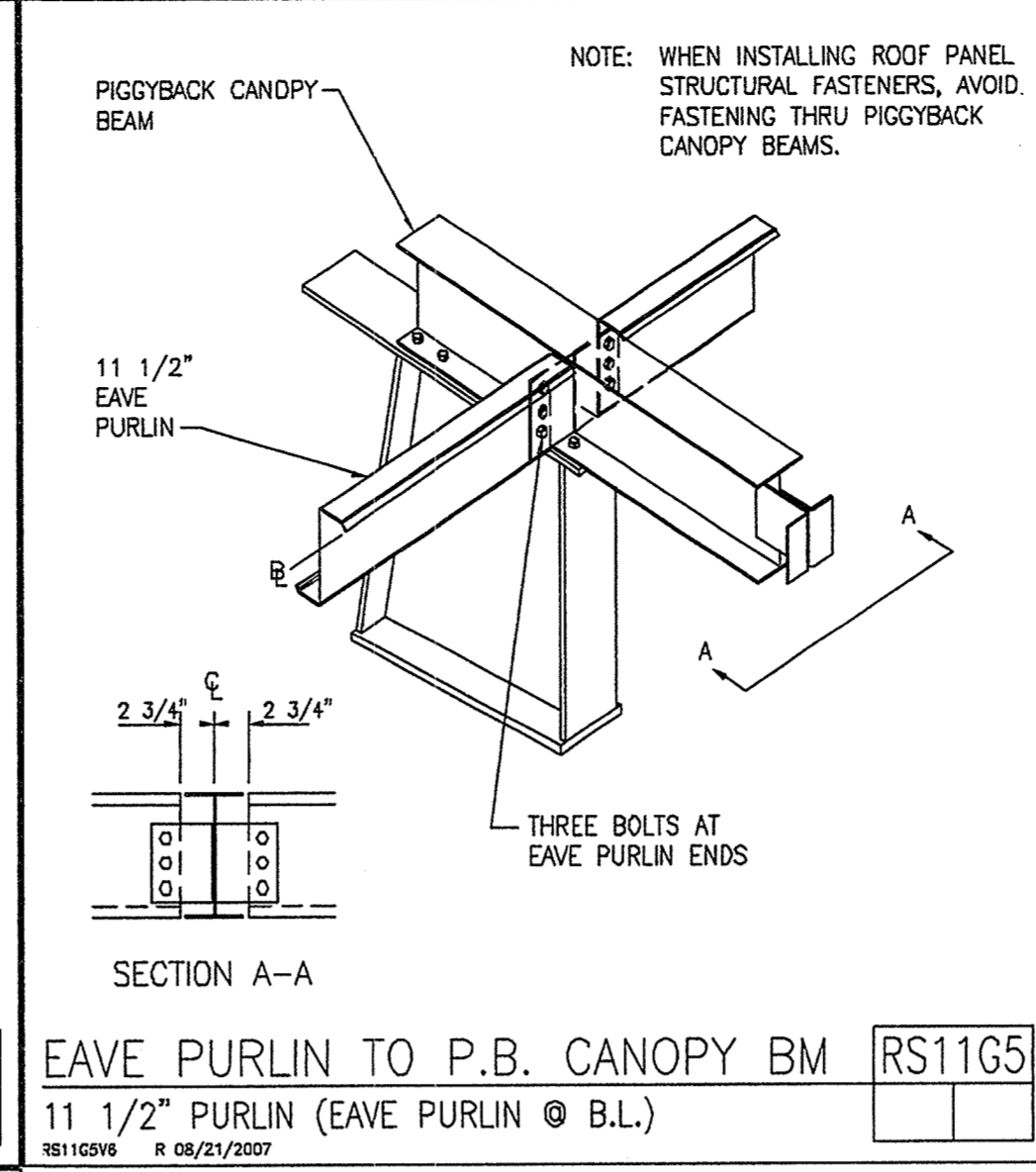
**PURLIN AT END FRAME**  
 11 1/2" CONTINUOUS / SIMPLE PURLINS  
 RS02B1  
 R 06/25/2007



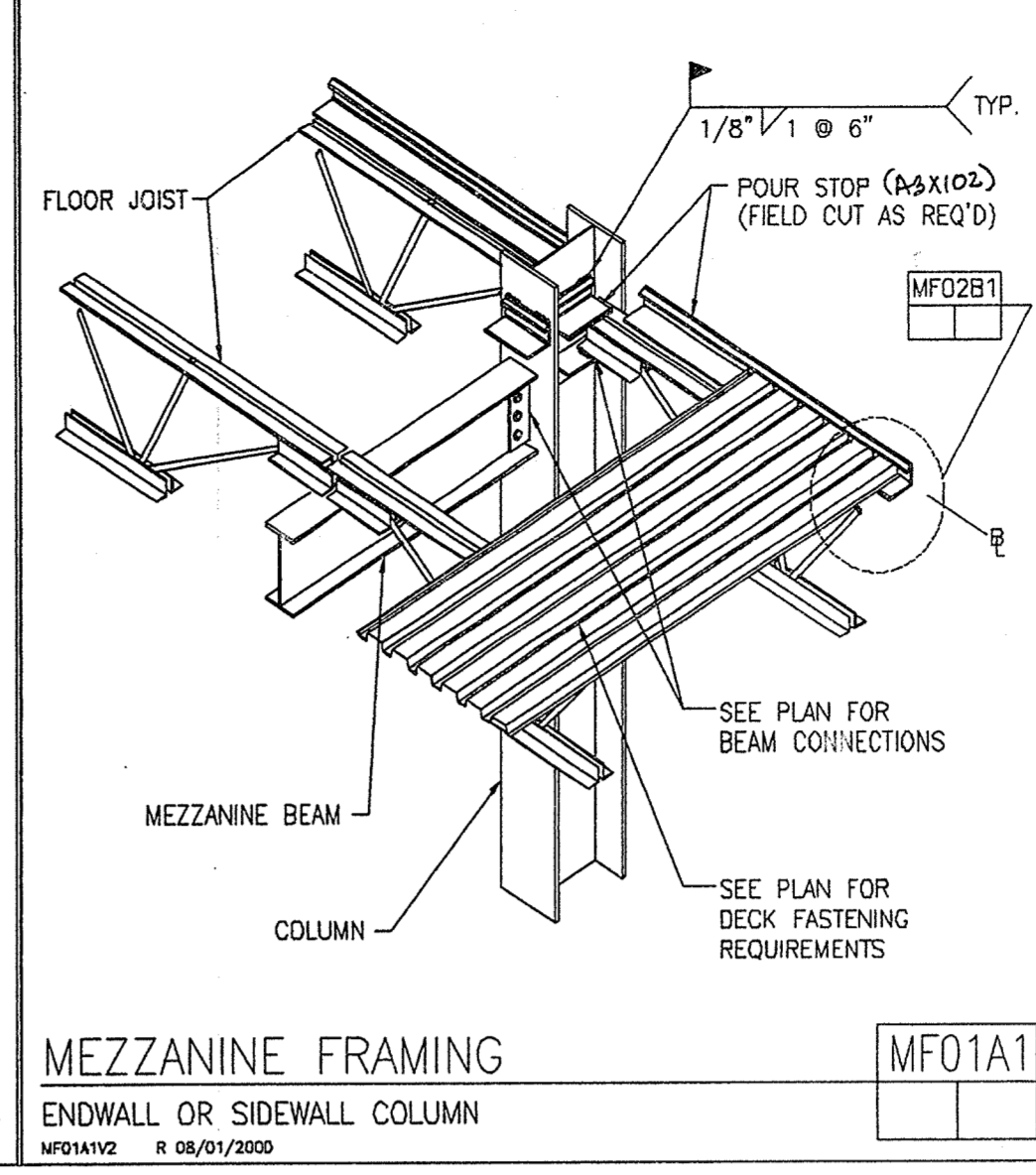
**RAKE CHANNEL TO PURLIN (SSR)**  
 6 1/2", 8 1/2" OR 11 1/2" PURLIN (PR OR VR WALLS)  
 RS10G1  
 R 02/28/08



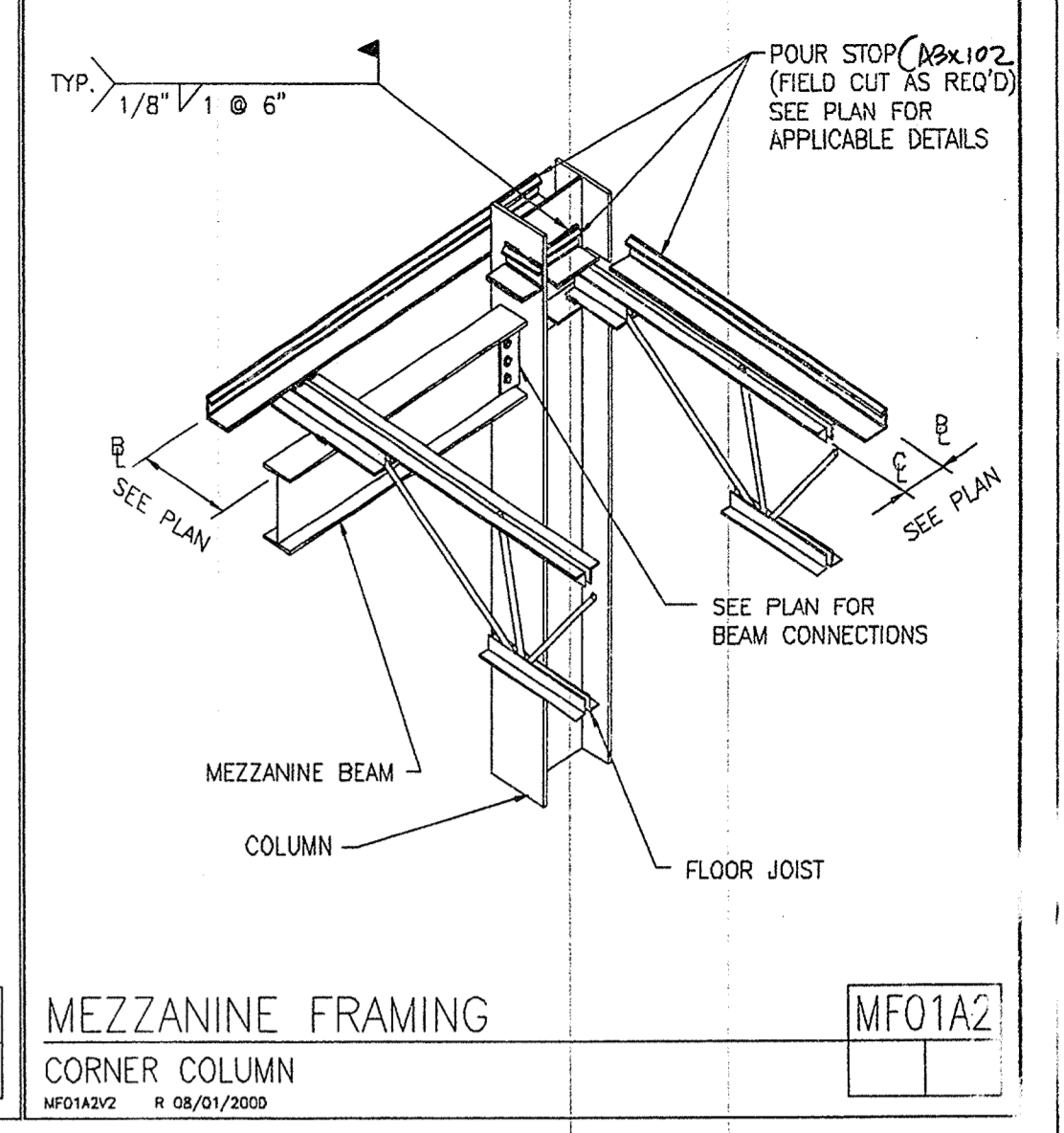
**EAVE PURLIN TO P.B. CANOPY BM**  
 11 1/2" PURLIN (INTERIOR FRM)  
 RS11G4  
 R 08/21/2007



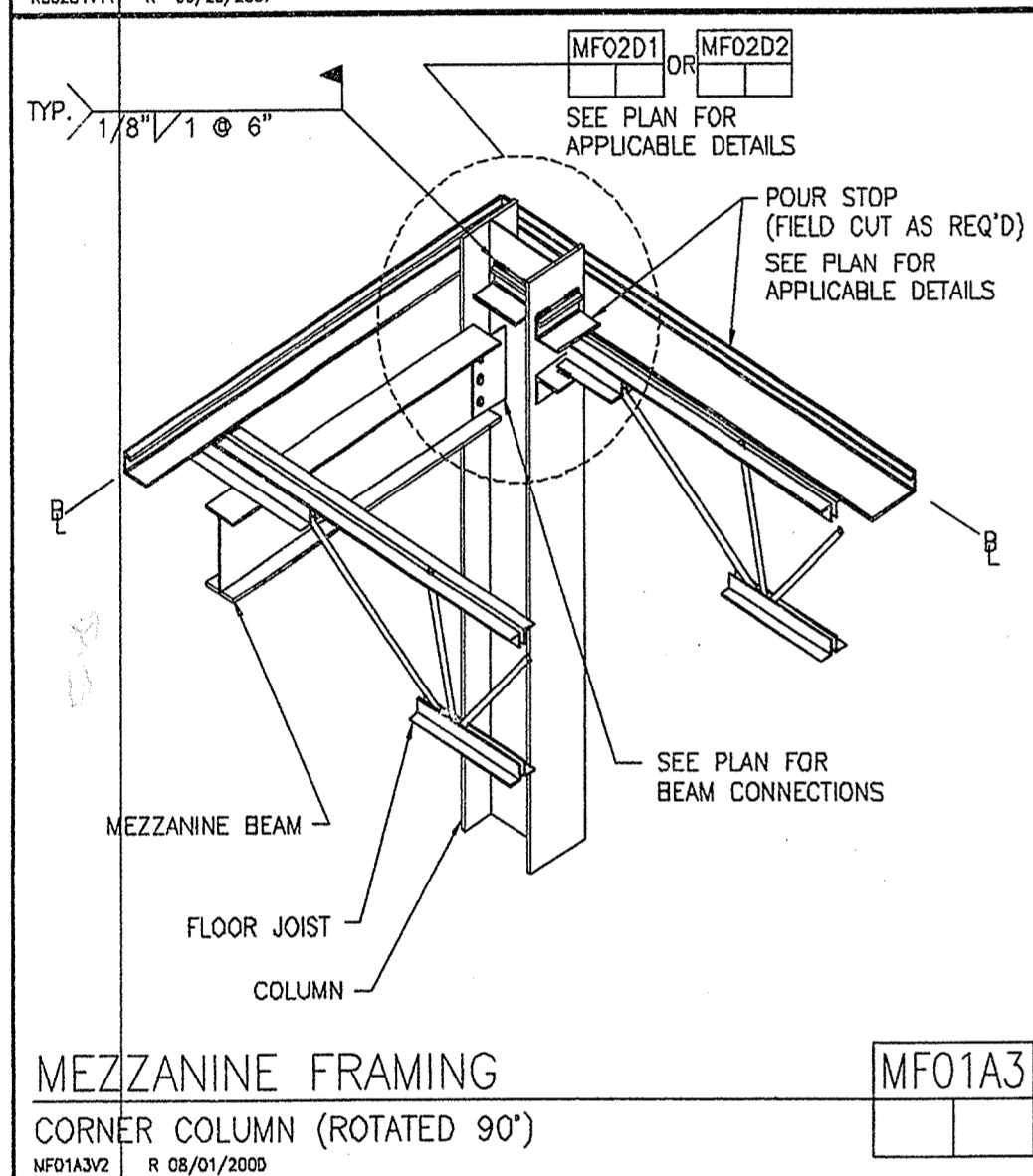
**EAVE PURLIN TO P.B. CANOPY BM**  
 11 1/2" PURLIN (EAVE PURLIN @ B.L.)  
 RS11G5  
 R 08/21/2007



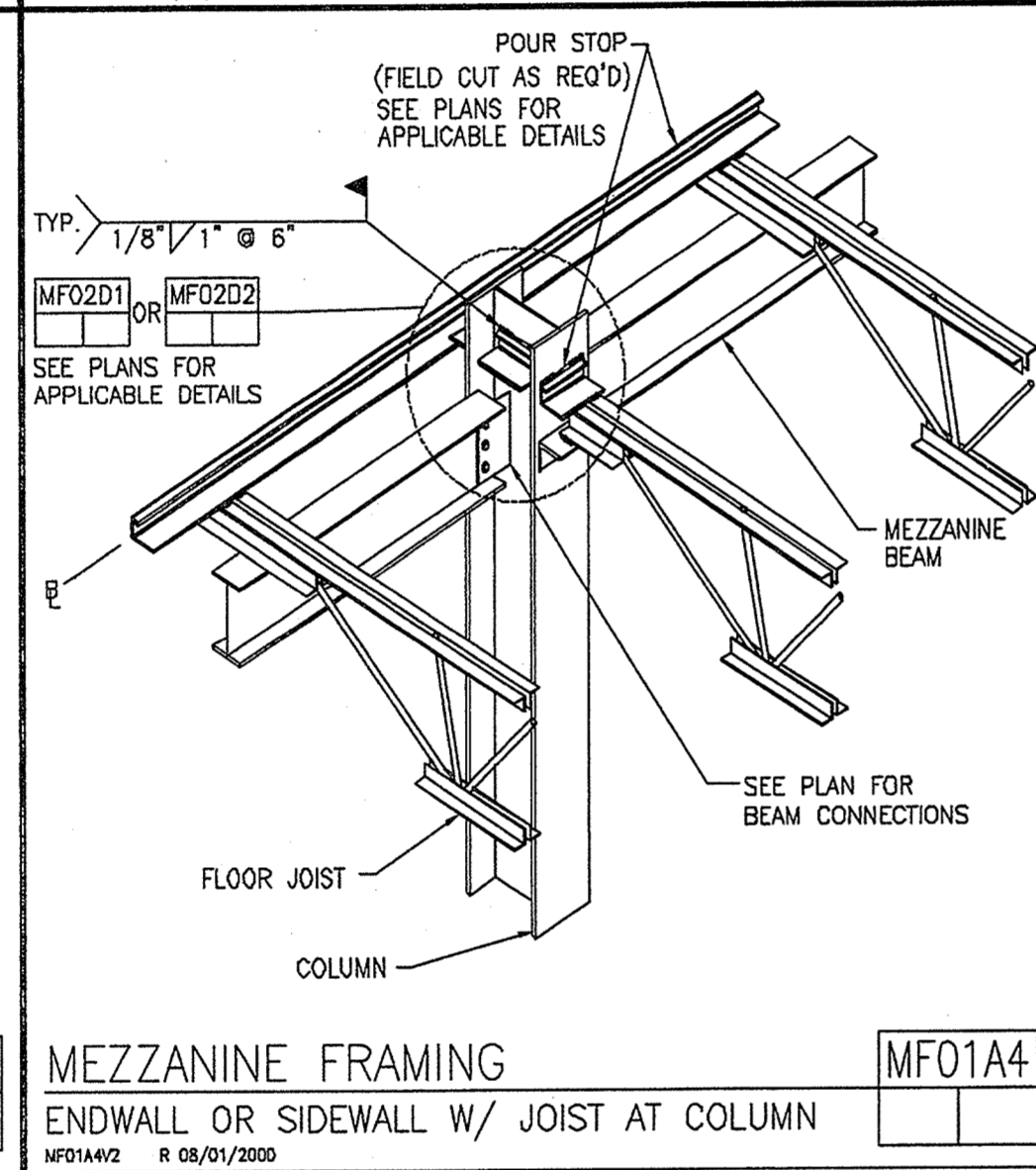
**MEZZANINE FRAMING**  
 ENDWALL OR SIDEWALL COLUMN  
 MF01A1  
 R 08/01/2000



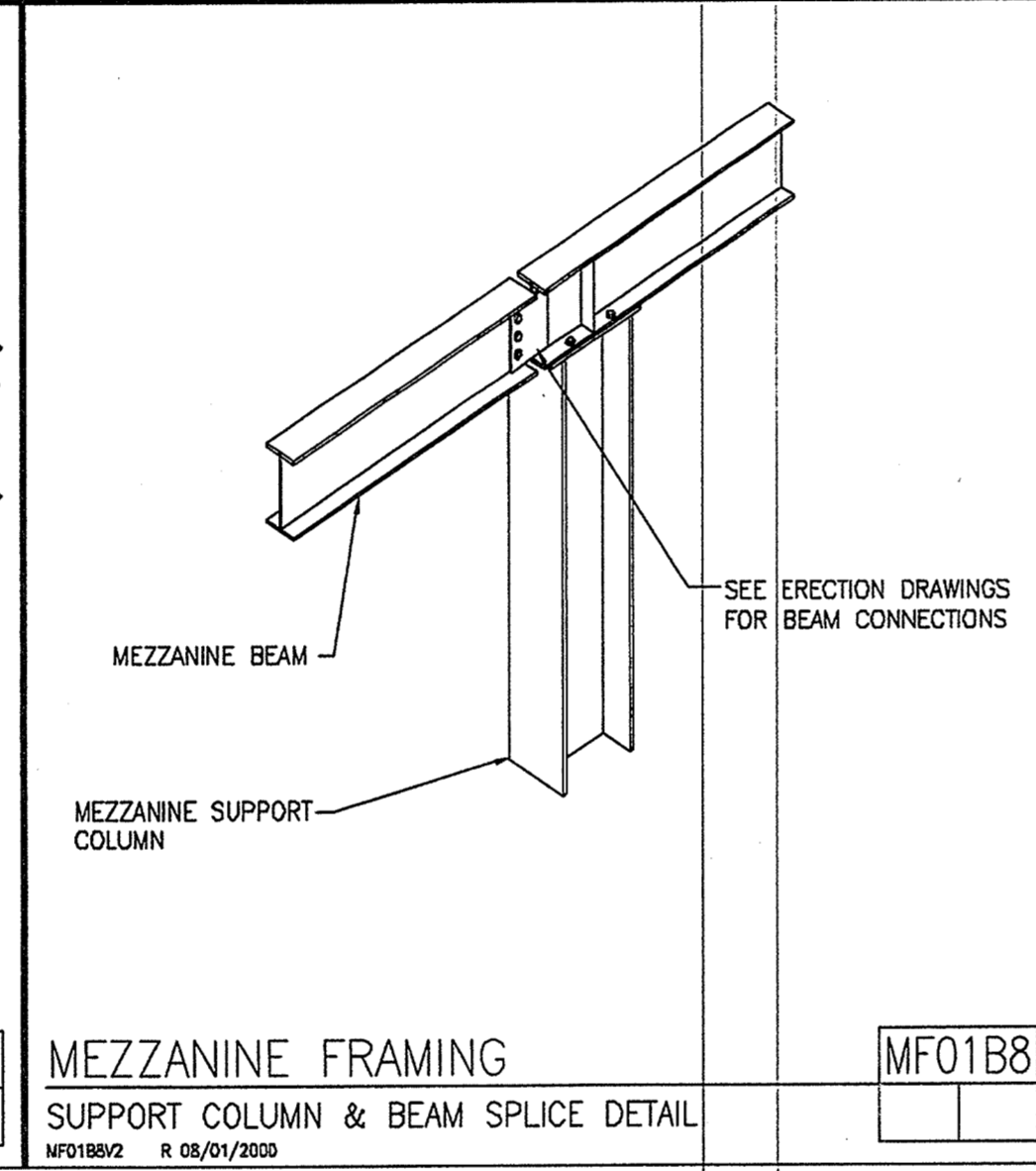
**MEZZANINE FRAMING**  
 CORNER COLUMN  
 MF01A2  
 R 08/01/2000



**MEZZANINE FRAMING**  
 CORNER COLUMN (ROTATED 90°)  
 MF01A3  
 R 08/01/2000



**MEZZANINE FRAMING**  
 ENDWALL OR SIDEWALL W/ JOIST AT COLUMN  
 MF01A4  
 R 08/01/2000



**MEZZANINE FRAMING**  
 SUPPORT COLUMN & BEAM SPLICE DETAIL  
 MF01B8  
 R 08/01/2000

THE VP ENGINEER'S SEAL APPLIES ONLY TO THE WORK PRODUCT OF VP AND DESIGN AND PERFORMANCE REQUIREMENTS SPECIFIED BY VP. THE VP ENGINEER'S SEAL DOES NOT APPLY TO THE PERFORMANCE OR DESIGN OF ANY OTHER PRODUCT OR COMPONENT FURNISHED BY VP EXCEPT TO ANY DESIGN OR PERFORMANCE REQUIREMENTS SPECIFIED BY VP.

THIS DRAWING, INCLUDING THE INFORMATION HEREON, REMAINS THE PROPERTY OF VP BUILDINGS. IT IS PROVIDED SOLELY FOR ERECTING THE BUILDING DESCRIBED IN THE APPLICABLE PURCHASE ORDER AND SHALL NOT BE MODIFIED, REPRODUCED OR USED FOR ANY OTHER PURPOSE WITHOUT PRIOR WRITTEN APPROVAL OF VP BUILDINGS.

THE GENERAL CONTRACTOR AND/OR ERECTOR IS SOLELY RESPONSIBLE FOR ACCURATE, GOOD QUALITY WORKMANSHIP IN ERECTING THIS BUILDING IN CONFORMANCE WITH THIS DRAWING, DETAILS REFERENCED IN THIS DRAWING, ALL APPLICABLE VP ERECTION GUIDES, AND INDUSTRY STANDARDS PERTAINING TO PROPER ERECTION, INCLUDING THE CORRECT USE OF TEMPORARY BRACING.

VP Buildings			
3200 Players Club Circle Memphis TN 38125			
REV	DATE	BY	DESCRIPTION
NTS			

BUILDING SED'S	
BUILDER	Broadmoor, LLC
CUSTOMER	John F. Stennis Space Center
LOCATION	Stennis Space Center, Mississippi
PROJECT	Riverine and Combatant Craft Operations Facility
BUILDERS PDF	

JOBNO	08-28914 EP1
DATE	16 APR 09
DRAWN/CHECK	PCD
PAGE	92 OF 92

