

- Halo™ Delivers the Most Effective Eye/Face Washdown Coverage and Spray Pattern
- Exceeds American National Standard Z358.1-2009 Specifications
- Industry's Only Self-Draining Design – The Aquaduct™
- Separate Supply and Waste Pipes – Meets CEN and Plumbing Requirements
- Ergonomic Hand Activation Eyewash Paddle – Easy to Reach from Any Direction
- Barrier Free
- Fully-Assembled and Factory-Tested Eyewash or Eye/Face Wash with Hinged Dust Covers
- Yellow Transparent Plastic and Stainless Steel Bowl Covers Available
- Antimicrobial Protection
- Universal Identification Sign and Inspection Tag Included
- Patents Pending

Specifications

Standard Eyewash or Eye/Face Wash Units save space and fit easily into any work environment. Halo eyewash or eye/face wash, operated by an ergonomic, highly visible push handle, provides effective wash down coverage and spray pattern. Integral strainer reduces debris in the water and also prevents clogging. Includes antimicrobial protection.

This plumbing fixture is not intended to dispense water for human consumption through drinking or for preparation of food or beverages.

Pipe and Fittings

Piping to ½" NPT water supply inlet on unit. Piping to 1¼" NPT drain outlet for eyewash.

1¼" piping assembly manufactured of one of the following materials:

- Galvanized steel with BradTect® safety yellow coating
- Type 304 corrosion resistant stainless steel
- Type 316 corrosion-resistant stainless steel
- Chrome plated red brass.

Ball Valve

½" stay-open eye and eye/face wash valve manufactured of the following materials and supplied with either type 304 or 316 stainless steel pull rod and handle:

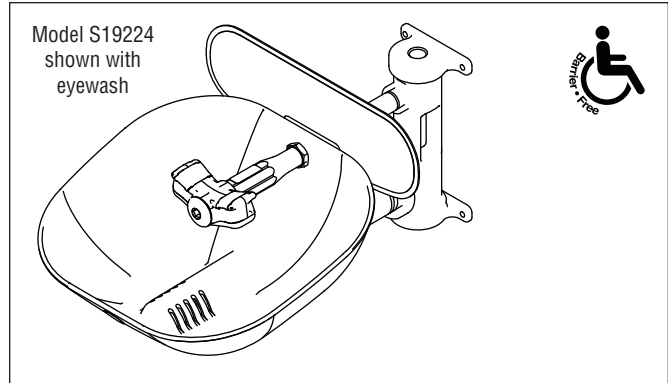
- Chrome-plated brass
- Type 316 stainless steel
- Self-closing chrome-plated brass (self closing eyewash valve may not meet local requirements for eyewash activation).

Eyewash

The Halo eyewash system offers a high performance rinsing platform that provides rapid relief to an individual's eyes that have been injured by chemicals or particulate. The eyewash provides 4.8 gpm of water at a safe velocity while maintaining its effectiveness (exceeds minimum water flow of 0.4 GPM at 30 PSI). Eyewash is protected by flip open dust covers that open when product is activated or by a full bowl dust cover that activates the unit when it is opened. Contains an antimicrobial agent to protect the Halo eyewash. Safe, steady water flow under varying water supply conditions from 30–90 PSI is assured by integral flow control in the sprayhead assembly.

Eye/Face Wash

The Halo eye/face wash system offers a high performance rinsing platform that provides rapid relief to an individual's eyes and face that have been injured by chemicals or particulate. This system provides the most complete face wash available in the market. The eye/face wash provides 4.8 gpm of water at a safe velocity while maintaining its effectiveness (exceeds minimum water flow of 0.4 GPM at 30 PSI). Eye/face wash is protected by flip open dust covers that open when product is activated or by a full bowl dust cover that activates the unit when it is opened. Contains an antimicrobial agent to protect the Halo eye/face wash. Safe, steady water flow under varying water supply conditions from 30–90 PSI is assured by integral flow control in the sprayhead assembly.



Bowl and Dust Cover

Bowl is constructed of yellow impact-resistant plastic, Type 304 corrosion-resistant stainless steel or Type 316 corrosion-resistant stainless steel. Dust cover is constructed of transparent yellow impact-resistant plastic, Type 304 corrosion-resistant stainless steel or Type 316 corrosion-resistant stainless steel.

Activation

Type 304 stainless steel push handle with optional aluminum or type 304 stainless steel foot pedal. Type 316 stainless steel push handle with optional Type 316 stainless steel foot pedal.

Drench Hose

Perforated sprayhead with protective sprayhead cover is ABS plastic and provides soft spray for cleansing eyes and face. Chrome-plated brass valve with extended handle stays open once handle is squeezed. 8' (2438mm) yellow reinforced thermoplastic hose has ¾" NPT male thread. Burst strength is 450 PSI. Attachment Kit includes ½" NPT supply, fittings and hanger for attaching hose to eyewashes. The sprayhead contains an antimicrobial agent to protect the sprayhead.

Backflow Prevention

Series N9 dual-check backflow preventer has a chrome-nickel plated brass body and includes atmospheric vent for continuous pressure applications. The check valve comes with ¾" female dual NPT female inlet and outlet connections. It can sustain a maximum pressure of 125 PSI (8.6 bars). The check valve is certified to CSA B64.8.

Series 9D dual-check backflow preventer with intermediate atmospheric vent can be used under continuous pressure. The primary check valve uses a rubber disc seating adjacent to a mating rubber part to ensure tight closing. A second check valve employs a rubber disc-to-metal seating.

Wall Bracket

Heavy-gauge sand cast aluminum protected with BradTect safety yellow coating. Includes three clearance holes for mounting bracket onto wall (mounting hardware not included).

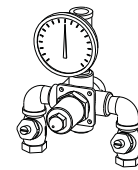
Waste

1¼" drain fitting and tailpiece furnished.

Recommended Option:

Navigator S19-2000 EFX8
Emergency Thermostatic Mixing Valve

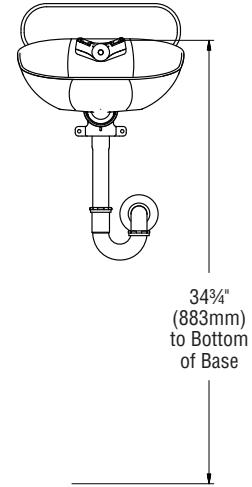
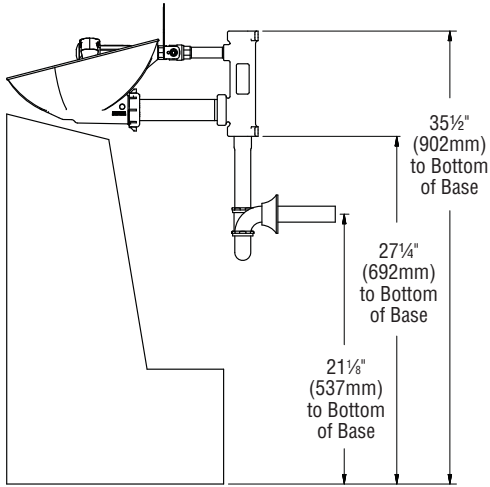
NAVIGATOR



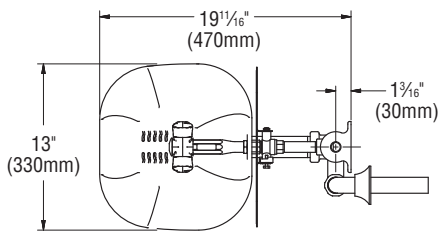
Satisfies ANSI Z358.1-2009
tepid water requirements.

 **Halo**
EYE/FACEWASH

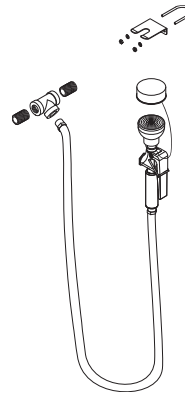
S19224 shown with Eyewash and Plastic Bowl



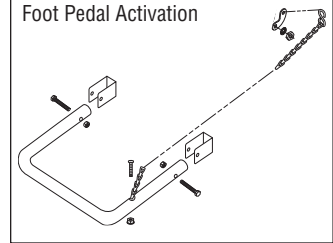
Eyewash Bowl



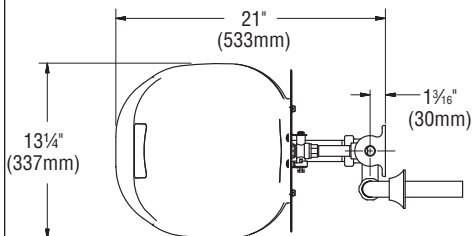
S19-430EH Drench Hose



Foot Pedal Activation



Dust Cover



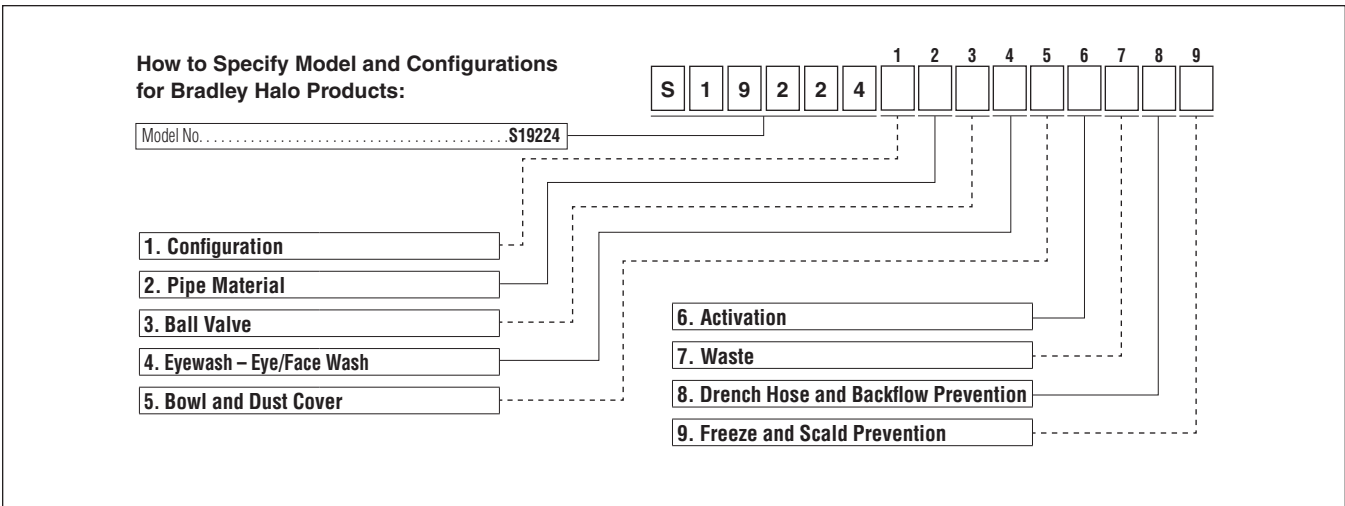
All dimensions assume standard thread engagement. Variations in manufacturing allow for +/- 1/16" (3mm) per threaded joint. To find the tolerance of a dimension, add the number of thread joints across the length of the dimension and multiply it by 1/16" (3mm).

Standard Selections (Must select one from each category)

Configuration	
<input type="checkbox"/> 0	Standard Wall Mount
Pipe Material	
<input type="checkbox"/> A	NPT, Yellow BradTect Galvanized Steel
<input type="checkbox"/> B	NPT, All 304 Stainless Steel
<input type="checkbox"/> C	NPT, All 316 Stainless Steel
<input type="checkbox"/> D	NPT, Chrome-Plated
Ball Valve	
<input type="checkbox"/> 1	Stay-Open Eyewash, Chrome-Plated brass
<input type="checkbox"/> 2	Stay-Open Eyewash, 316 SS
Eyewash – Eye/Face Wash	
<input type="checkbox"/> A	Halo Eyewash
<input type="checkbox"/> B	Halo Eye/Face Wash
<input type="checkbox"/> D	Halo Eyewash, 304 SS Yoke
<input type="checkbox"/> E	Halo Eye/Face Wash, 304 SS Yoke
<input type="checkbox"/> G	Halo Eyewash, 316 SS Yoke
<input type="checkbox"/> H	Halo Eye/Face Wash, 316 SS Yoke
Bowl and Dust Cover	
<input type="checkbox"/> A	Plastic Bowl, No Dust Cover
<input type="checkbox"/> B	Plastic Bowl, Plastic Dust Cover
<input type="checkbox"/> D	304 SS, No Dust Cover
<input type="checkbox"/> E	304 SS, 304 SS Dust Cover
<input type="checkbox"/> F	304 SS, Plastic Dust Cover
<input type="checkbox"/> G	316 SS, No Dust Cover
<input type="checkbox"/> H	316 SS, 316 SS Dust Cover
<input type="checkbox"/> J	316 SS, Plastic Dust Cover
<input type="checkbox"/> 0	No Bowl or Dust Cover

Activation	
<input type="checkbox"/> A	304 SS Handle
<input type="checkbox"/> B	316 SS Handle
<input type="checkbox"/> D	304 SS Handle with Stainless Steel Foot Pedal*
Waste	
<input type="checkbox"/> A	Tailpiece
<input type="checkbox"/> D	P-trap
<input type="checkbox"/> 0	No Waste
Drench Hose and Backflow Prevention	
<input type="checkbox"/> A	Drench Hose Kit with Vacuum Breaker
<input type="checkbox"/> B	Drench Hose Kit with N9 Backflow Preventer
<input type="checkbox"/> C	Drench Hose Kit with 9D Backflow Preventer
<input type="checkbox"/> D	Drench Hose Kit without Backflow Preventer
<input type="checkbox"/> 0	No Drench Hose and No Backflow Prevention
Freeze and Scald Protection	
<input type="checkbox"/> N	Anti-Freeze Valve
<input type="checkbox"/> P	Anti-Scald Valve
<input type="checkbox"/> R	Anti-Freeze and Anti-Scald Valves
<input type="checkbox"/> 0	No Anti-Freeze Valve and No Anti-Scald Valve

* Not available with barrier-free configurations.



Cross Reference Chart

Classic Model Number	Description	Old Halo Part Number	New Halo Part Number
Eyewashes			
S19-220	Plastic Bowl	S192240A1AAA00	S19224EW
S19-220PT	Plastic Bowl, Tailpiece & P-trap	S192240A1AAD00	S19224PT
S19-220B	Stainless Steel Bowl	S192240A1ADAA00	S19224B
S19-220BPT	Stainless Steel Bowl, Tailpiece & P-trap	S192240A1ADAD00	S19224BPT
Eyewashes with Dust Cover			
New	Plastic Bowl & Dust Cover	S192240A1ABAA00	S19224PDC
S19-220DC	Stainless Steel Bowl & Dust Cover	S192240A1AEAA00	S19224DC
S19-220DCPT	Stainless Steel Bowl & Dust Cover, Tail Piece & P-trap	S192240A1AEAD00	S19224DCPT
Eye-Face Washes			
S19-220FW	Plastic Bowl	S192240A1BAAA00	S19224FW
S19-220FWPT	Plastic Bowl, Tail Piece & P-Trap	S192240A1BAAD00	S19224FWPT
S19-220T	Stainless Steel Bowl	S192240A1BDAA00	S19224T
S19-220P	Stainless Steel Bowl, 8' Hand-Held Drench Hose	S192240A1BDAAD0	S19224P
S19-220TPT	Stainless Steel Bowl, Tail Piece & P-Trap	S192240A1BDAD00	S19224TPT
S19-220Y	Stainless Steel Bowl, Hand/Foot Operated	S192240A1BDAA00	S19224Y
Eye-Face Washes with Dust Covers			
NEW	Plastic Bowl & Cover	S192240A1BBAA00	S19224PDCFW
S19-220DCFW	Stainless Steel Bowl & Cover	S192240A1BEAA00	S19224DCFW
S19-220DCR	Stainless Steel Bowl & Cover	S192240A1BEAA00	S19224DCR
S19-220DCRPT	Stainless Steel Bowl & Cover, Tailpiece & P-Trap	S192240A1BEAD00	S19224DCRPT
Barrier-Free Eye-Face Washes (No Wrap-Around Skirt)			
S19-220ABF	Eyewash, Plastic Bowl (No Wrap-around skirt)	N/A	N/A
S19-220BBF	Eyewash, Barrier-Free, Stainless Steel Bowl (No Wrap-Around Skirt)	N/A	N/A
Barrier-Free Eye-Face Washes with Wrap-Around Skirt			
S19-220BF	Eye-Face Wash With Spray Ring, Stainless Steel Bowl & Wrap-Around Skirt	N/A	N/A
Stainless Steel Eye/Eye-Face Washes			
S19-220BSS	Eye-Face Wash, All Stainless Steel	N/A	N/A
S19-220DCSS	Eye-Face Washes, All Stainless Steel, With Dust Cover & ABS Plastic Sprayheads	N/A	N/A
S19-220SC	Eyewash, All Stainless Steel, With Dust Cover	N/A	N/A
S19-220SS	Eye-Face Wash With Spray Ring, All Stainless Steel	N/A	N/A
S19-220TSS	Eye-Face Wash, All Stainless Steel Except ABS Plastic Sprayheads	N/A	N/A