



Twin City Fan & Blower

A Twin City Fan Company

Fan Tag:

Job Name: Brett @ ARC
 Job ID: 0623
 Date: June 23, 2010

BCRD - Centrifugal Roof Exhauster, Downblast, Belt Driven

CONSTRUCTION FEATURES

- Backwardly curved, non-overloading wheel.
- Wheel, motor, and drive assembly are isolated from the fan supports by rubber isolators.
- Top cap provides quick access to the wheel, motor, and drive assembly.
- Re-greaseable pillow block ball bearings provide an average life of 500,000 hours.
- Curb cap/venturi assembly with welded corners.
- Entire fan assembly is balanced and tested.
- Galvanized birdscreen.
- Disconnect switch.



FAN DESCRIPTION

Qty	Type	Size	Wt (lb.)
1	BCRD	120D	160

Approximate weight each, includes fan, motor and accessories.

FAN PERFORMANCE

CFM	SP (in.wg)	RPM	Oper. BHP
790	0.5	975	0.11

Temperature: 70°F, Altitude: 0ft

MOTOR DATA

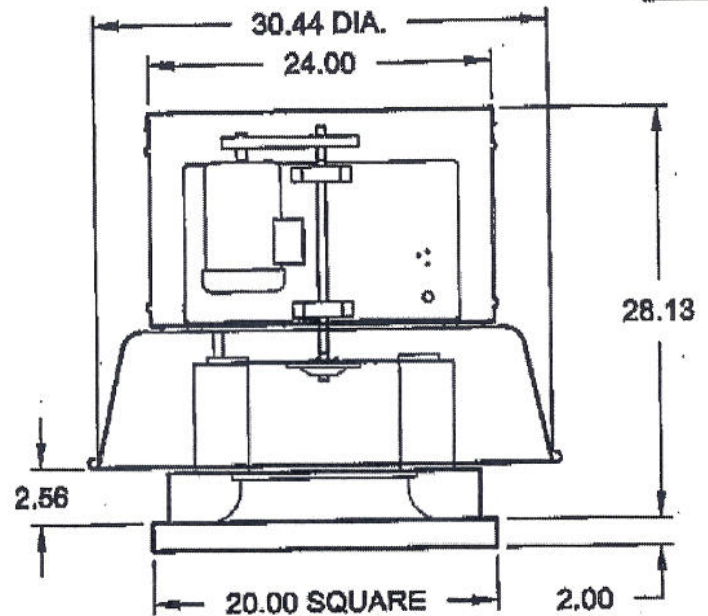
HP	RPM	Volt/Ph/Hz	Encl
1/2	1750	115/1/60	ODP

Efficiency: Standard/EPACT

SOUND DATA

Octave Bands	1	2	3	4	5	6	7	8	LwA	dBA	Sones
Level at Inlet	61	62	65	67	59	54	49	43	66	52	6.6

LwA: The overall (single value) fan sound power level in dB re. 10⁻¹² Watts, 'A' weighted.
 dBA: Estimated sound pressure level (re:0.0002 microbar) based on a single ducted installation at 5 ft., using a directivity factor of 1.



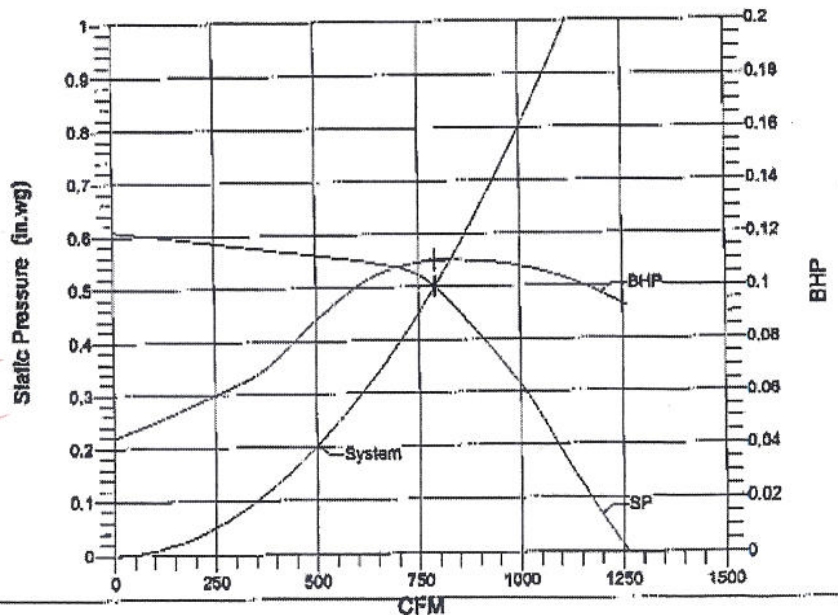
ROOF OPENING	14.50 X 14.50
DAMPER SIZE	14.00 X 14.00

ACCESSORIES INCLUDED

- Birdscreen - Galvanized
- Backdraft Damper
- Tie Down Brackets
- Roof Curb, Canted, Galv. w/ Insulation 12" H
- Disc Switch-Unfused (NEMA 1), Shipped Loose

THIS SUBMITTAL HAS BEEN REVIEWED FOR GENERAL COMPLIANCE WITH THE PLANS & SPECIFICATIONS.
 ARC MECHANICAL CONTRACTORS, INC.

JOB NO. ARC-10-21
 BY Thomas J. Hughes
 DATE 8/13/2010





Twin City Fan & Blower

A Twin City Fan Company

Fan Tag:

Job Name: Brett @ ARC
 Job ID: 0623
 Date: June 23, 2010

Backdraft Damper

Fan Size: 120D

FIG. A (NO EXTERNAL FLANGE)

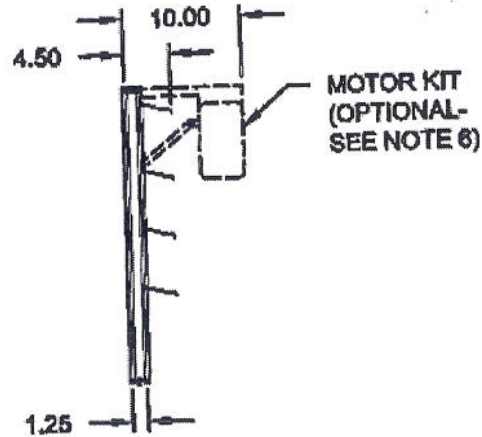
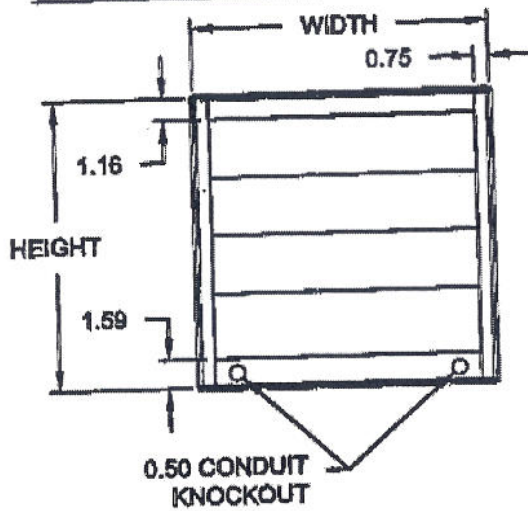
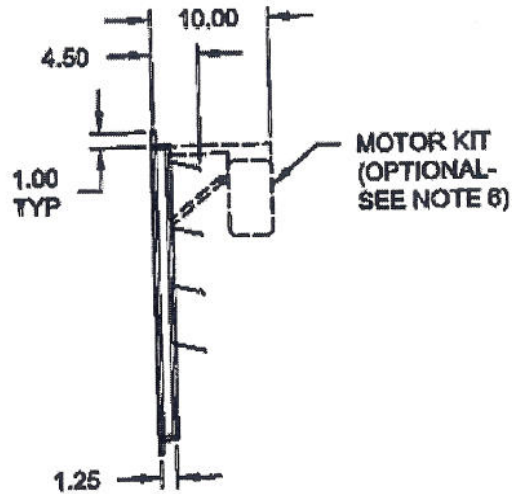
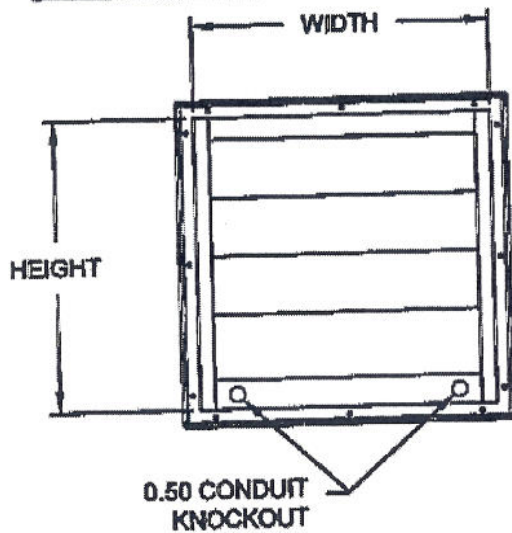


FIG. B (EXTERNAL FLANGE)



NOTES:

1. FRAME: 20 GA. GALVANIZED STEEL.
2. BLADES: 28 GA. MILL FINISH ALUM.
3. FELT SEAL ON LEADING EDGE OF BLADES.
4. TIE ROD ATTACHED TO ALL BLADES.
5. DAMPERS INDIVIDUALLY PACKAGED.
6. FOR MOTORIZED APPLICATIONS (OPT.) MOTOR KIT RATED AT 115/230V.
- FOR 460/575V APPLICATIONS, A TRANSFORMER IS REQUIRED.

SIZE	FIG.	HEIGHT	WIDTH
070	A	10.00	10.00
075	A	10.00	10.00
085	A	10.00	10.00
100	A	14.00	14.00
120	A	14.00	14.00
140	A	18.00	18.00
180	A	20.00	20.00
180	A	24.00	24.00
210	A	24.00	24.00
240	A	28.00	28.00
300	A	34.00	34.00
360	A	40.00	40.00
420	A	48.00	48.00
480	B	60.00	50.00



Twin City Fan & Blower

A Twin City Fan Company

Fan Tag:

Job Name:

Brett @ ARC

Job ID:

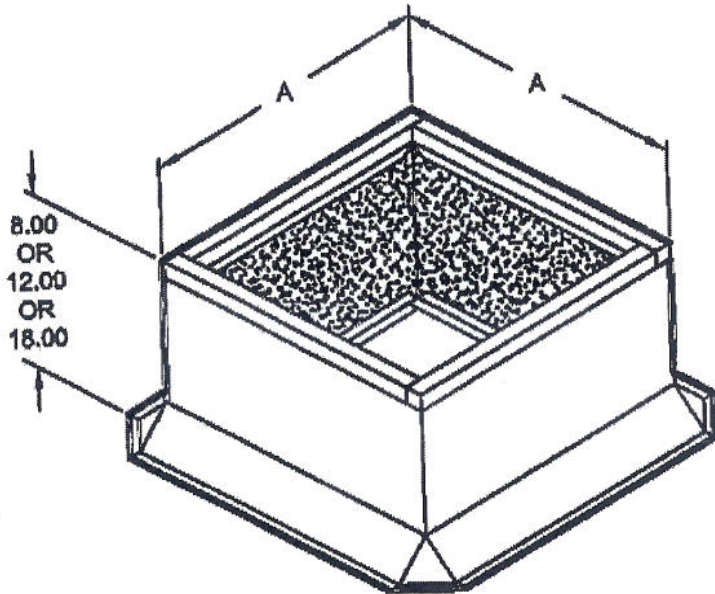
0623

Date:

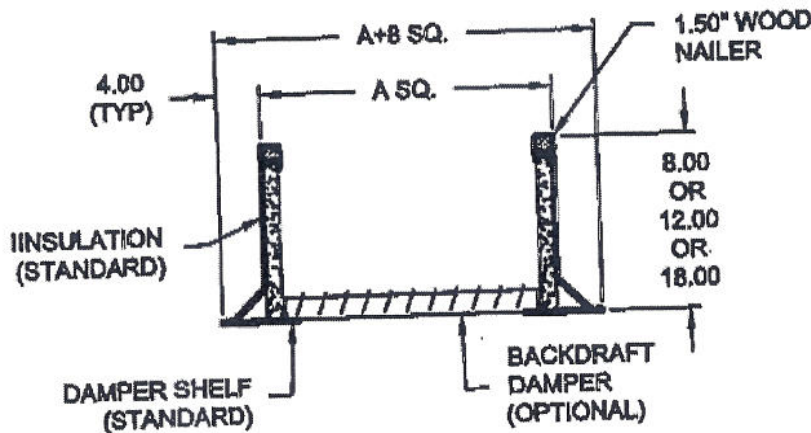
June 23, 2010

Roof Curb, Canted, Galv. w/ Insulation 12" H

Fan Size: 120D



FAN SIZE	A SQ.
070	15.50 X 15.50
075	15.50 X 15.50
085	15.50 X 15.50
100	18.50 X 18.50
120	18.50 X 18.50
140	22.50 X 22.50
160	24.50 X 24.50
180	28.50 X 28.50
210	28.50 X 28.50
240	32.50 X 32.50
300	38.50 X 38.50
360	44.50 X 44.50
420	50.50 X 50.50
480	56.50 X 56.50



FEATURES

- 18 GAUGE GALVANIZED STEEL CONSTRUCTION.
- .063 INCH THICK ALUMINUM CONSTRUCTION.
- ALL WELDED WATERTIGHT CONSTRUCTION.
- WOOD NAILER STRIPS ARE STANDARD.
- DAMPER SHELF.
- LARGE 3" BUILT-IN 45° CANT TO ACCOMMODATE ROOFING MATERIAL TO TOP OF CURB. CANT IS BEVELED AT CORNERS FOR BETTER LAY OF ROOFING MATERIAL.
- LINED WITH 1.50" GLASS FIBER FIRE-RESISTANT, SOUND-ABSORBING INSULATION.

NOTES:

1. INSIDE OF CURB IS 3" LESS THAN DIMENSION "A".
2. CURBS ARE SIZED 1.50" LESS THAN FAN BASE (CAP) TO ALLOW .75" EACH SIDE FOR FLASHING MATERIAL AND CLEARANCE.
3. WHEN USING A MOTOR OPERATED DAMPER IN THE CURB, A 12" HIGH (MINIMUM) CURB IS REQUIRED.
4. ALL DIMENSIONS ±1/8".



Twin City Fan & Blower

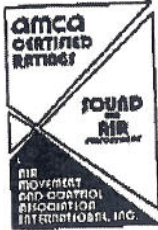
A Twin City Fan Company

Fan Tag:

Job Name: Brett @ ARC
Job ID: 0623
Date: June 23, 2010

AMCA Statements

Tag : N/A



1. Twin City Fan and Blower certifies that the model BCRD is licensed to bear the AMCA Seal. The ratings shown are based on tests and procedures performed in accordance with AMCA Publication 211 and AMCA Publication 311 and comply with the requirements of the AMCA Certified Ratings Program.
2. Performance shown is for Installation Type A: Free inlet, Free outlet.
3. Power rating (BHP) does not include transmission losses.
4. Performance ratings do not include the effects of appurtenances (accessories).
5. The sound ratings shown are loudness values in fan zones at 5 ft. (1.5m) in a hemispherical free field calculated per AMCA Standard 301. Values shown are for installation Type A: Free inlet fan zone levels.
6. The AMCA Certified Ratings Seal applies to some ratings only.

Model BCRD is UL 705 listed for electrical, File No. E158680.



NOTE: UL listing availability is dependent on motor and accessories selected.