

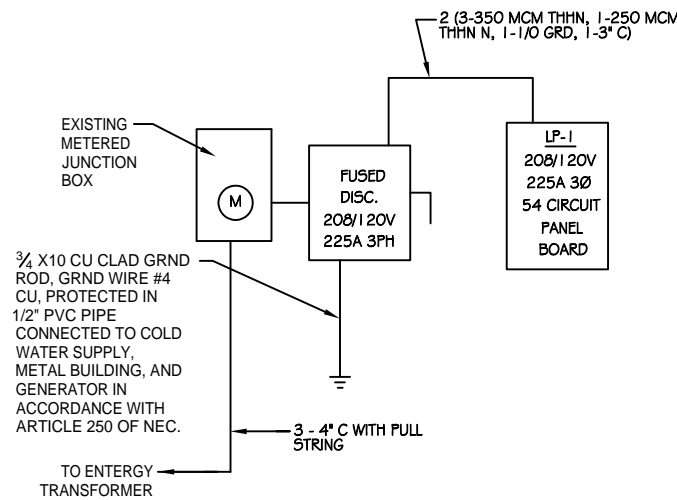
PANEL: LP-1		LOCATION: PATTERSON DENTAL OFFICE WAREHOUSE WALL		FEEDER SOURCE: ENTERGY		VOLTAGE: 208/120V, 225A 3Ø, 4W MLO, 54 CRT PANEL BD		ENCLOSURE: SURFACE MOUNTED W/EQUIPMENT GND BAR		BOLTON BRK 22000 AIC		
CKT. NO.	THHN WIRE SIZE	LOAD DESCRIPTION	BREAKER		LOAD (VA)	AØ BØ CØ	LOAD (VA)	BREAKER		LOAD DESCRIPTION	THHN WIRE SIZE	CKT. NO.
		LOCATION	AMP	POLE				POLE	AMP			
1	#12	RECEPTACLES FOR MEDICAL AND DENTAL WAREHOUSE	20	1	960		1500	1	20	JUNCTION BOX FOR POWER POLE IN COPY/FAX/WORK AREA	#12	2
3	#12	JUNCTION BOX FOR POWER POLE IN COPY/FAX/WORK AREA	20	1	1500		960	1	20	RECEPTACLES FOR COPY/FAX/WORK AREA, CORRIDORS, & WAITING	#12	4
5	#10	NEW WATER HEATER 30 GAL	40	2	3400		960	1	20	NEW BREAK ROOM RECEPTACLES	#12	6
7					3400		160	1	20	DISHWASHER RECEPTACLE	#12	8
9	#12	OPS AND BRANCH MANAGERS OFFICES RECEPTACLES	20	1	960		160	1	20	WAITING ROOM 110V ISOLATED RECEPTACLE	#12	10
11	#12	WAITING ROOM 110V ISOLATED RECEPTACLE	20	1	160		1500	1	20	NEW CONFERENCE ROOM	#12	12
13	#12	NEW CONFERENCE ROOM CEILING RECEPTACLE	20	1	160		1120	1	20	NEW CONFERENCE ROOM AND CORRIDOR RECEPTACLES	#12	14
15	#12	NEW CONFERENCE ROOM RECEPTACLES	20	1	1120		160	1	20	REPAIR ROOM 110V ISOLATED RECEPTACLE	#12	16
17	#12	REPAIR ROOM 110V ISOLATED RECEPTACLE	20	1	160		160	1	20	REPAIR ROOM 110V ISOLATED RECEPTACLE	#12	18
19	#12	REPAIR ROOM RECEPTACLES	20	1	640		160	1	20	PHONE ROOM ISOLATED RECEPTACLE	#12	20
21	#12	PHONE ROOM ISOLATED RECEPTACLE	20	1	160		920	2	25	PANORAMIC X-RAY MACHINE	#12	22
23	#12	NEW REPAIR ROOM 220V ISOLATED RECEPTACLE	20	1	160		920					24
25	#12	NEW REPAIR ROOM 110V ISOLATED RECEPTACLE	20	1	160		960	1	20	MTG. RM., CORRIDOR, STERILIZER, & PAN-X COMPUTER RECEPTACLES	#12	26
27	#12	JUNCTION BOX FOR POWER POLE IN EQUIPMENT SPEC. AREA	20	1	1500		1800	1	20	MEDICAL DISPLAY AREA FLOOR JUNCTION BOXES	#12	28
29	#12	MEDICAL DISPLAY AREA FLOOR JUNCTION BOXES	20	1	1800		160	1	20	MEDICAL DISPLAY AREA CEILING RECEPTACLE	#12	30
31	#12	NEW BREAK ROOM RECEPTACLES	20	1	1120		960	1	20	NEW CEREC STG. ROOM AND EQUIP. SPECIALIST RECEPTACLES	#12	32
33	#12	EXISTING CONFERENCE ROOM CEILING RECEPTACLE	20	1	160		1500	1	20	EXISTING CONFERENCE ROOM JUNCTION BOX	#12	34
35	#12	EXISTING BRANCH MANAGERS OFFICE RECEPTACLES	20	1	480		1944	1	20	MEDICAL WAREHOUSE LIGHTS	#12	36
37	#12	COPY/FAX/WORK AREA AND CORRIDOR LIGHTS	20	1	700		700	1	20	BREAK RM., OPS MANAGER, BRANCH MANAGER, & CORRIDOR LIGHTS	#12	38
39	#12	WAITING ROOM AND CORRIDOR LIGHTS	20	1	500		1500	1	20	JUNCTION BOX FOR MEDICAL DISPLAY AREA LIGHTS	#12	40
41	#12	NEW CONFERENCE ROOM AND CORRIDOR LIGHTS	20	1	800		600	1	20	REPAIR ROOM, MENS AND WOMENS RESTROOM LIGHTS	#12	42
43	#12	EMERGENCY AND EXIT LIGHTS	20	1	102		-	1	20	SPARE	#12	44
45	#12	SPARE	20	1	-		-	1	20	SPARE	#12	46
47	#12	SPARE	20	1	-		-	1	20	SPARE	#12	48
49	#12	SPARE	20	1	-		-	1	20	SPARE	#12	50
51	#12	SPACE	-	1	-		-	1	-	SPACE	#12	52
53	#12	SPACE	-	1	-		-	1	-	SPACE	#12	54
					TOTAL CONNECTED LOAD (VA)=38,906							
					AØ=12,802		BØ=12,900		CØ=13,204		GROUND BUS GROUND WIRE (G)	

**GENERAL NOTES:**

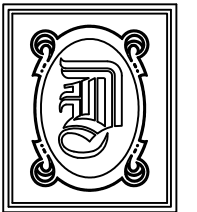
- CONTRACTOR TO CONFIRM/COORDINATE POWER & TEL/DATA OUTLET LOCATION/REQUIREMENT WITH TENANT AND TENANT'S FURNITURE VENDOR.
- CONTRACTOR TO CONFIRM/COORDINATE POWER & TEL/DATA OUTLET LOCATION/QUANTITY REQUIREMENTS FOR WAREHOUSE WITH TENANT.
- ALL CONTRACTORS/SUB-CONTRACTORS TO REVIEW THE OUTLINE SPECIFICATIONS FOR WORK RELATED TO THEIR CONTRACT/TRADE.
- FURNITURE FOR REFERENCE ONLY. FURNITURE INCLUDING SYSTEMS FURNITURE TO BE PROVIDED & INSTALLED BY KATHY BLAKE, (952) 278-9237.
- DISPLAY EQUIPMENT FOR REFERENCE ONLY. EQUIPMENT SUPPLIED & INSTALLED BY TENANT.
- PROVIDE POWER CONNECTION FOR DISHWASHER IN BREAK ROOM
- MAKE SURE ADEQUATE HEATING AND COOLING ARE IN THE CONFERENCE/TRAINING ROOM FOR DENSITY OF UP TO 50 PERSONS AT A TIME-PROBABLY NEED TO MAKE SURE AT MINIMUM ONE VAV IS LOCATED IN THIS ROOM WITH A RETURN AND MAY NEED DEDICATED HVAC UNIT FOR THIS AREA DEPENDING ON SIZE/ZONES.

**ELECTRICAL NOTES**

- ALL WORK SHALL CONFORM TO THE LATEST EDITION OF THE NATIONAL ELECTRICAL CODE, THE GOVERNING ELECTRICAL CODE AND ALL OTHER INSPECTION DEPARTMENTS HAVING JURISDICTION. OBTAIN CERTIFICATES OR APPROVAL WHERE REQUIRED.
- ALL MATERIALS FURNISHED SHALL BE NEW AND SHALL BE U.L. LISTED.
- THE DRAWINGS INDICATE SIZE AND GENERAL LOCATION OF WORK. SCALE DIMENSIONS SHALL NOT BE USED. THE EXACT LOCATION AND LOCATION OF ALL LIGHTING FIXTURES, RECEPTACLES AND TELEPHONE OUTLETS, ETC. SHALL BE DETERMINED BY ACTUAL CONDITIONS IN THE FIELD.
- PRIOR TO BIDDING, CONTRACTOR SHALL VISIT THE JOB SITE AND FAMILIARIZE THEMSELVES WITH THE EXISTING CONDITIONS.
- ELECTRICAL CONTRACTOR SHALL COORDINATE HIS WORK WITH OTHER TRADES AND WITH OTHER CONTRACTORS WHOSE WORK MAY AFFECT THIS INSTALLATION.
- ELECTRICAL CONTRACTOR SHALL COORDINATE INCOMING ELECTRICAL SERVICE WITH UTILITY COMPANY AND INCLUDE IN HIS BID ALL CHARGES AND FEES INCURRED IN MODIFICATIONS.
- WHERE MORE THAN ONE SWITCH OCCURS IN THE SAME LOCATION, THEY SHALL BE INSTALLED IN A GANG TYPE BOX UNDER ONE COVER PLATE.
- ELECTRICAL CONTRACTOR SHALL COORDINATE THE TELEPHONE INSTALLATION WITH THE TELEPHONE COMPANY AND THE GENERAL CONTRACTOR.
- ELECTRICAL CONTRACTOR, BEFORE INSTALLING ANY OF THE WORK, SHALL SEE THAT IT DOES NOT INTERFERE WITH CLEARANCES REQUIRED FOR FINISHED COLUMNS, HUNG CEILINGS, PLASTER, PARTITIONS, WALLS, ETC. AS SHOWN IN THE ARCHITECTURAL DRAWINGS AND DETAILS. IF ANY WORK IS INSTALLED AND IT LATER DEVELOPS THAT SUCH DETAILS OR DESIGN CANNOT BE FOLLOWED, THE CONTRACTOR, AT HIS OWN EXPENSE, SHALL MAKE SUCH CHANGES IN THE WORK AS DIRECTED BY THE ARCHITECT. AS WELL AS TO PERMIT THE INSTALLATION OF THE ARCHITECTURAL WORK AS SHOWN ON THE PLANS AND DETAILS.
- PERFORM TEST REQUIRED BY THE OWNER OR THE ENGINEER IN CONNECTION WITH THE OPERATION OF THE ELECTRICAL SYSTEM IN THE BUILDING.
- ALL TESTS SHALL BE MADE IN ACCORDANCE WITH THE LATEST STANDARD OF THE IEEE AND THE NATIONAL ELECTRICAL CODE.
- MINIMUM CONDUCTOR SIZE SHALL BE #12, 600V INSULATION. MINIMUM SIZE CONDUIT SHALL BE 3/4" EMT FOR INTERIOR USE, AND 3/4" RIGID ALUMINUM OR PVC SCHEDULE 80 FOR EXTERIOR USE. USE TYPE NMC CABLE COPPER, FOR LIGHTS AND RECEPTACLE CIRCUITS. EXTERIOR FITTINGS SHALL BE CAST BOXES AND COVERS. INTERIOR FITTINGS SHALL BE CAST WHERE EXPOSED ON WALLS. STAMPED BOXES MAY BE USED ABOVE CEILINGS IN AIR CONDITIONED SPACES. WHERE LAY IN FIXTURES ARE IN USE, USE 1 1/2" ALLOWED FOR 6" WIDTH.
- CONTRACTOR SHALL INSTALL WIRING AND OTHER CIRCUIT COMPONENTS TO MATCH EQUIPMENT ACTUALLY INSTALLED.
- INSTALL GROUND FAULT RECEPTACLES AT RECEPTACLE LOCATIONS WITHIN 5' OF SINKS OR LAVATORIES, AND AT EXTERIOR LOCATIONS. EXTERIOR RECEPTACLES SHALL ALSO BE WATERPROOF.
- BONDING AND GROUNDING SHALL BE IN ACCORDANCE WITH NFPA 70:230-63, NFPA 250-23, 250-71 & 250-72.
- GROUND NEUTRAL IN ACCORDANCE WITH NFPA 70:250-23b.
- FUSES SHALL BE ITT CLASS K5, 250 VOLT, 200,000 AMP INTERRUPTING CAP.
- PROVIDE SERVICES OF A FIRE/SMOKE DETECTION AND ALARM COMPANY TO DESIGN AND INSTALL ALARM SYSTEM TO MEET REQUIREMENTS OF THE STATE FIRE MARSHALL.
- EXTERIOR LIGHTING SHALL BE SHADED OR INWARDLY DIRECTED IN SUCH A MANNER SO THAT NO DIRECT LIGHTING OR GLARE IS CAST BEYOND THE PROPERTY LINE. THE INTENSITY OF SUCH LIGHTING SHALL NOT EXCEED ONE FOOT CANDLE AS MEASURED AT THE ABUTTING PROPERTY LINE.
- ALL ELECTRICAL, MECHANICAL AND PLUMBING PENETRATING FIRE PARTITIONS SHALL BE FIRE CAULKED (PENETRATIONS THROUGH RATED CONSTRUCTION SHALL BE SEALED WITH A MATERIAL CAPABLE OF PREVENTING THE PASSAGE OF FLAMES AND HOT GASES WHEN TESTED IN ACCORDANCE WITH ASTM-E814.)
- THE ELECTRICIAN SHALL INSTALL A GROUND PATH FOR FAULT CURRENT BY INSTALLING A METAL RACEWAY SYSTEM OR A CABLE HAVING A METALLIC ARMOR OR SHEATH ASSEMBLY FOR ALL RECEPTACLES AND FIXED ELECTRIC EQUIPMENT IN ALL PATIENT AREAS.
- THE ELECTRICIAN SHALL CONNECT THE GROUNDING TERMINALS OF ALL RECEPTACLES AND ALL NON-CURRENT-CARRYING CONDUCTIVE SURFACES OF FIXED ELECTRIC EQUIPMENT LIKELY TO BECOME ENERGIZED THAT ARE SUBJECT TO PERSONAL CONTACT, OPERATING AT OVER 100 VOLTS UTILIZING AN INSULATED COPPER CONDUCTOR IN ALL AREAS USED FOR PATIENT CARE.



**ONE LINE DIAGRAM**  
NTS



**DAMMON ENGINEERING, INC.**

CHIEF ENGINEER  
EMMETT DAMMON, P.E.

CHIEF ARCHITECT  
ROBERT WILTSE

1095 FLORIDA AVENUE  
SLIDELL, LA. 70458  
OFFICE: 985-649-5830  
FAX: 985-641-5950

WEBSITE:  
WWW.DAMMONENGINEERING.COM

EMAIL:  
DAMMONENG@BELLSOUTH.NET

ARCHITECTURE

ENGINEERING

STUDIES

PLANNING

INVESTIGATION

EXPERT WITNESS

OFFICE &  
WAREHOUSE  
EXPANSION &  
RENOVATION

PATTERSON  
DENTAL SUPPLY  
107 MALLARD ST.  
SAINT ROSE, LA  
70087

ELECTRICAL  
SCHEDULES  
& ONE-LINE  
DIAGRAM

REV:

SCALE: AS NOTED

JOB#: 2076

DATE: 11-01-10

SHEET 10

**E-3**

PRELIMINARY (NOT FOR CONSTRUCTION)

OF 11