

**DAMMON ENGINEERING, INC.**

CHIEF ENGINEER  
EMMETT DAMMON, P.E.

CHIEF ARCHITECT  
ROBERT WILTSE

554 OLD SPANISH TRAIL  
SLIDELL, LA. 70458  
OFFICE: 985-649-5832  
FAX: 985-641-5950

WEBSITE:  
WWW.DAMMONENGINEERING.COM  
EMAIL:  
DAMMONENG@BELL.SOUTH.NET

ARCHITECTURE  
ENGINEERING  
STUDIES  
PLANNING  
INVESTIGATION  
EXPERT WITNESS

**CHILDREN'S INTERNATIONAL MEDICAL GROUP**

8250 WEST JUDGE PEREZ DR.  
CHALMETTE, LA  
DR. EDUARDO HERNANDEZ

**ELECTRICAL LIGHTING PLAN AND SCHEDULES**

REV:

SCALE: AS NOTED

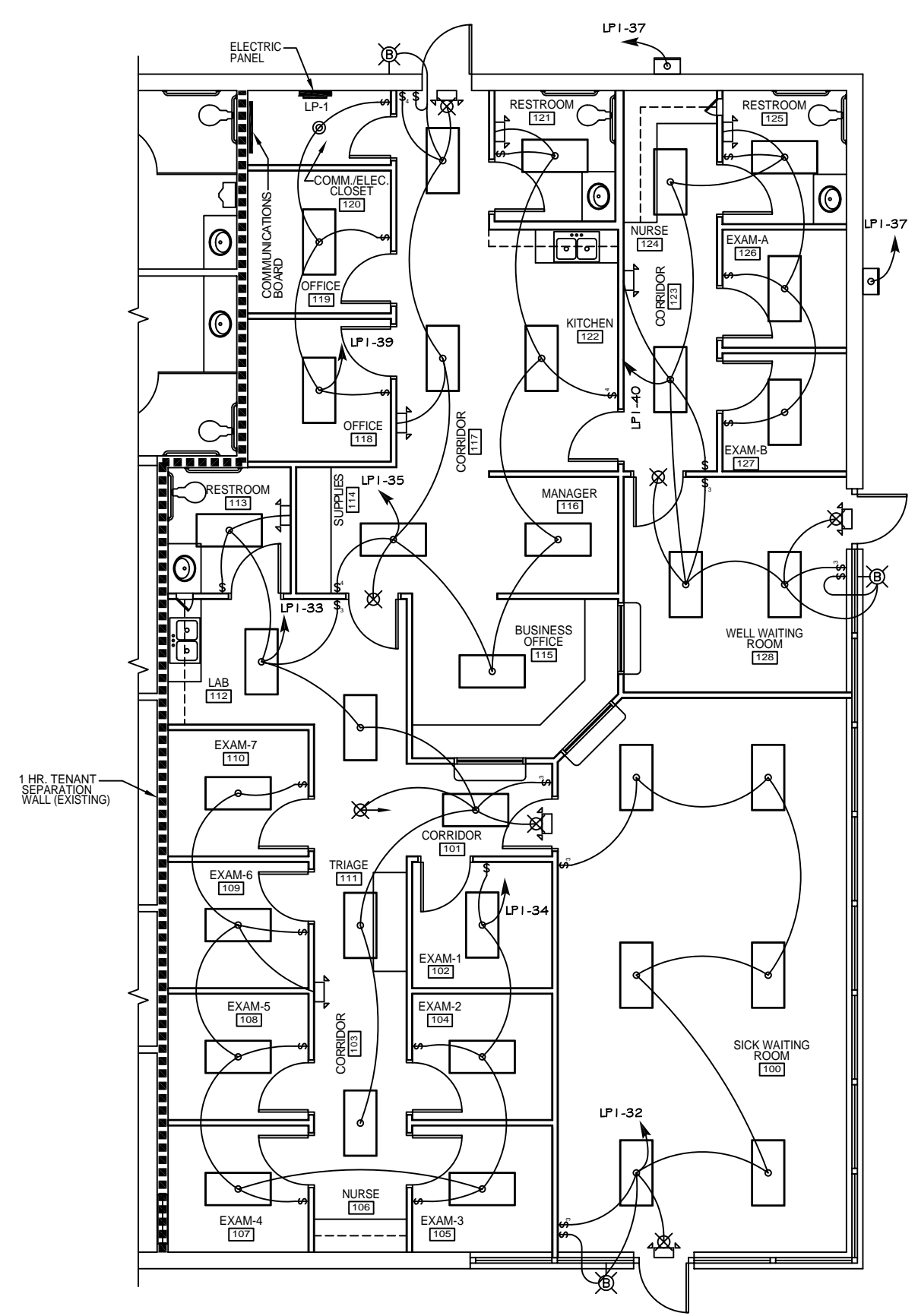
JOB#:2090

DATE: 02-24-11

SHEET 10

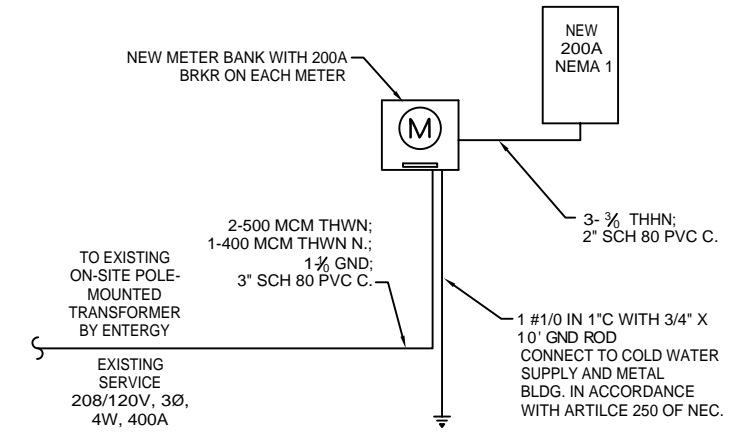
**E-2**

OF 12



**LIGHTING LEGEND**

- 2'x4' FLUORESCENT LIGHT 3 BULB (96W)
- EXTERIOR WATERPROOF WALL-MTD. FLUORESCENT LIGHT (11W)
- STANDARD BULB FIXTURE (100W)
- EMERGENCY LIGHT W/ 90 MIN. BATTERY BACKUP (12W)
- LOW LEVEL MOUNTED EXIT LIGHT/SIGN W/90 MIN. BATTERY BACK-UP (10W)
- EXIT/EMERGENCY LIGHT COMBO W/ 90 MIN. BATTERY BACKUP (12W)
- WALL MOUNTED EXTERIOR WALL PACK FLOOD LIGHT (150 w EA.)
- SWITCH
- 3-WAY SWITCH
- POWER PANEL



**ELECTRICAL ONE LINE**  
SCALE: N.T.S.

PANEL: LP-1				VOLTAGE: 208/120V, 200A 3Ø, 4W MLO									
LOCATION: CIMG ELECTRICAL/COMMUNICATIONS CLOSET				ENCLOSURE: SURFACE MOUNTED W/EQUIPMENT GND BAR									
FEEDER SOURCE: ENTERGY				BOLTON BRK 22000 AIC									
CKT. NO.	THHN WIRE SIZE	LOAD DESCRIPTION		LOAD (VA)	BREAKER		LOAD (VA)	BREAKER		LOAD DESCRIPTION	THHN WIRE SIZE	CKT. NO.	
		LOCATION	AMP		POLE	POLE		AMP	LOCATION				
1	#6	RTU-4	34 KW	14650	125	3	4500	2	30	WATER HEATER 50 GAL	#10	2	
3	#6			14650			4500					4	
5	#6			14650			960	1	20	SICK WAITING ROOM 100 RECEPTACLES	#12	6	
7	#12	SICK WAITING ROOM 100 RECEPTACLES		960	20	1	1120	1	20	EXAM ROOM 102, EXAM ROOM 104, AND TRIAGE 111 RECEPTACLES	#12	8	
9	#12	EXAM ROOM 104, EXAM ROOM 105, AND NURSE 106 RECEPTACLES		1120	20	1	960	1	20	EXAM ROOM 107 AND EXAM ROOM 108 RECEPTACLES	#12	10	
11	#12	NURSE 106 COMPUTER		1800	20	1	960	1	20	EXAM ROOM 108, EXAM ROOM 109, AND CORRIDOR 103 RECEPTACLES	#12	12	
13	#12	EXAM ROOM 109, EXAM ROOM 110, AND LAB 112 RECEPTACLES		960	20	1	160	1	20	LAB 112 REFRIGERATOR RECEPTACLE	#12	14	
15	#12	LAB 112 AND RESTROOM 113 GFI RECEPTACLES		320	20	1	1800	1	20	TRIAGE 111 COMPUTER	#12	16	
17	#12	BUSINESS OFFICE 115 COMPUTER		1800	20	1	1800	1	20	BUSINESS OFFICE 115 COMPUTER	#12	18	
19	#12	BUSINESS OFFICE 115 COMPUTER		1800	20	1	1120	1	20	BUSINESS OFFICE 115 AND CORRIDOR 103 RECEPTACLES	#12	20	
21	#12	MANAGER 116 COMPUTER		1800	20	1	640	1	20	MANAGER 116 AND KITCHEN 122 RECEPTACLES	#12	22	
23	#12	OFFICE 118 COMPUTER		1800	20	1	1800	1	20	OFFICE 119 COMPUTER	#12	24	
25	#12	OFFICE 118 AND SUPPLIES 114 RECEPTACLES		800	20	1	960	1	20	OFFICE 119, COMM./ELEC. CLOSET 120, & CORRIDOR 117 RECEPTACLES	#12	26	
27	#12	RESTROOM 121, KITCHEN 122, RESTROOM 125, & W.P. GFI RECEPTACLES		960	20	1	-	1	20	SPARE	-	28	
29	#12	CORRIDOR 123, NURSE 124, AND WELL WAITING ROOM 128 RECEPTACLES		960	20	1	1800	1	20	NURSE 124 COMPUTER	#12	30	
31	#12	EXAM ROOM 126 AND EXAM ROOM 127 RECEPTACLES		960	20	1	599	1	20	SICK WAITING ROOM, EXIT/EMERGENCY, & EXTERIOR WALL-MT LIGHTS	#12	32	
33	#12	CORRIDORS 101 & 103, EMERGENCY/EXIT, LAB 112, & RESTROOM 113 LIGHTS		610	20	1	684	1	20	EXAM ROOMS 102, 104, 105, 107, 108, 109, 110, & EMERGENCY LIGHTS	#12	34	
35	#12	ROOMS 114, 115, 116, 117, 121, 122, EMERG., EXIT, & EXT. WALL-MTD. LIGHTS		729	20	1	-	1	20	SPARE	-	36	
37	#12	EXTERIOR WALL PACK FLOOD LIGHTS		300	20	1	160	1	20	KITCHEN REFRIGERATOR RECEPTACLE	#12	38	
39	#12	OFFICE 118, OFFICE 119, AND COMM./ELEC. CLOSET 120 LIGHTS		292	20	1	729	1	20	CORRIDOR 123, RESTROOM 125, EXAMS 126-127, & WELL WAITING 128 LIGHTS	#12	40	
41	-	SPARE		-	20	1	-	1	20	SPARE	-	42	
				TOTAL CONNECTED LOAD (VA)=87,173									
				AØ=29,049 BØ=29,065 CØ=29,059								GROUND BUS GROUND WIRE (G)	

**ELECTRICAL LIGHTING PLAN**  
SCALE: 1/4"=1'

SICK WAITING ROOM 100 LIGHTS