

FRONT ELEVATION

8250 WEST JUDGE PEREZ DRIVE CHALMETTE, LA

BUILDING SQUARE FEET TOTAL: 5,635 SQ. FT.

RENOVATION SQUARE FEET: 2,792 SQ. FT.

FULLY SPRINKLED
ZONED C-2

INTERNATIONAL BUILDING CODE 2006

OCCUPANCY CLASSIFICATION:
BUSINESS, GROUP B, (SEC 304.1)

OCCUPANT LOAD: (TBL 1004.1.2)
BUSINESS AREAS = 100 GROSS SQ.FT. / OCCUPANT
2,792 S.F. OFFICE = 28 OCCUPANTS

EXIT ACCESS REQUIREMENTS: (SEC 1016)
1 EXIT REQUIRED FOR < 49 OCCUPANTS IN BUSINESS OCCUPANCY
(4 EXITS PROVIDED)
EXIT ACCESS TRAVEL DISTANCE = 200' UNSPRINKLED OR 300' SPRINKLED

ALLOWABLE HEIGHT AND BLDG. AREA: (TBL 503)
B=9,000 SQ.FT. / 2 STORY ALLOWED, THIS PROJECT 1 STORY / 2,792 SQ.FT.

CONSTRUCTION CLASSIFICATION: (SEC 602.2)
TYPE II B

FIRE RESISTANCE RATING REQUIREMENTS FOR BLDG. ELEMENTS: (TBL 601)
STRUCTURAL FRAME= 0 HRS.
BEARING WALLS (INTERIOR AND EXTERIOR)= 0 HRS.
NON-BEARING WALLS= 0 HRS.
FLOOR CONSTRUCTION= 0 HRS.
ROOF CONSTRUCTION= 0 HRS.

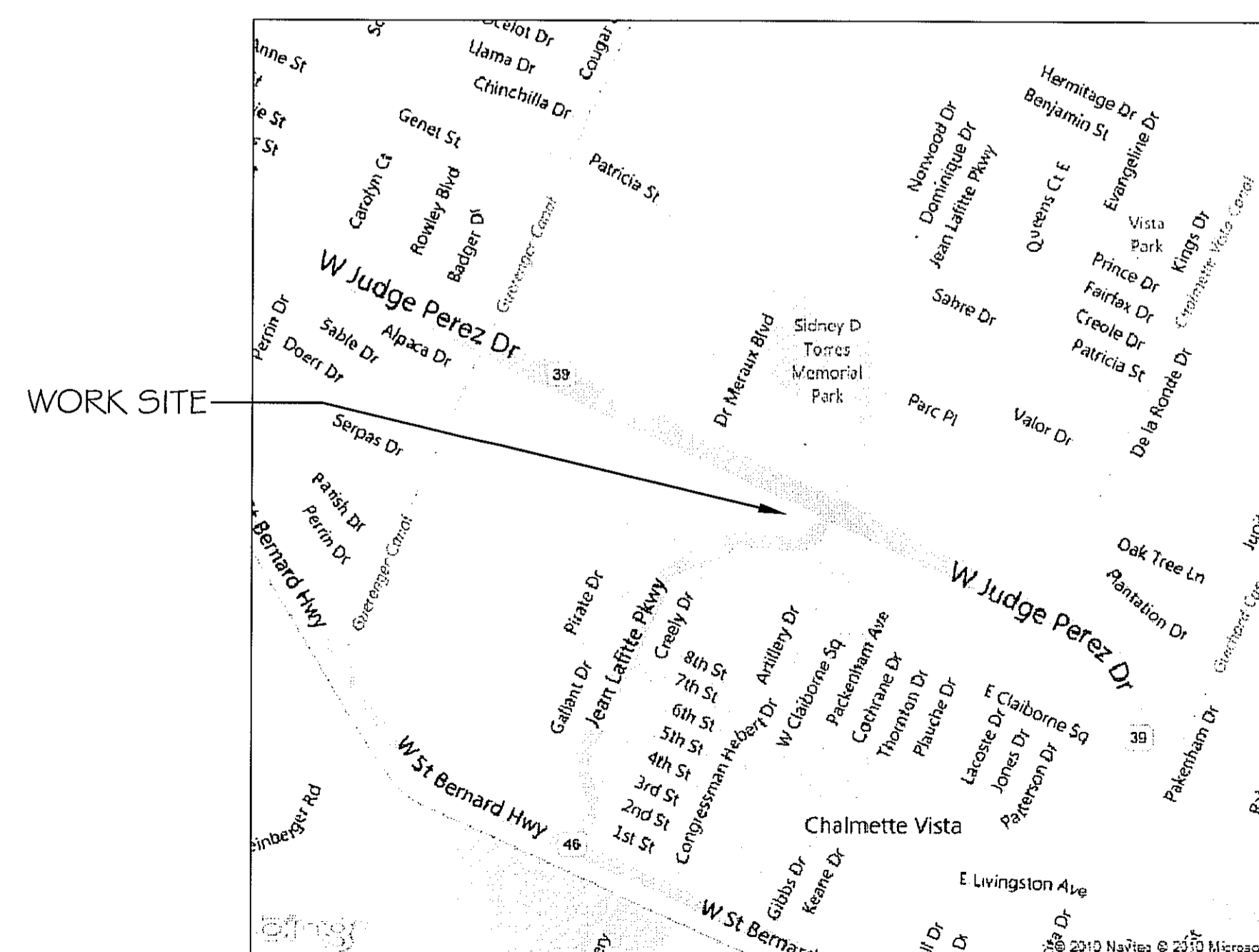
FIRE RESISTANCE RATING REQUIREMENTS FOR EXTERIOR WALLS: (TBL 602)
EXTERIOR WALLS WITH > 30' FIRE SEPARATION DISTANCE = 0 HR.

FIRE ALARM SYSTEM REQUIREMENTS: (SEC 907)
THIS BLDG. DOES NOT REQUIRE A FIRE ALARM SYSTEM IN ACCORDANCE WITH SEC 907.2.2

AUTOMATIC SPRINKLER SYSTEM REQUIREMENTS: (SEC 903)
THIS TENANT BUILDOUT DOES NOT REQUIRE A FIRE PROTECTION SYSTEM IN ACCORDANCE WITH SEC 903.2, BUT WILL UTILIZE THE EXISTING SPRINKLER SYSTEM.

LIVE LOADS TBL 1607.1 OFFICE BUILDINGS
CORRIDORS ABOVE FIRST FLOOR = 80PSF
FILE AND COMPUTER ROOMS SHALL BE DESIGNED FOR HEAVIER LOADS BASED ON ANTICIPATED OCCUPANCY = -
LOBBIES AND FIRST-FLOOR CORRIDORS = 100PSF
OFFICES = 50 PSF
GROUND SNOW LOADS= 5 PSF (FIG. 1608.2)

BASED ON THE SURVEY OF THIS PROPERTY BY GILBERT, KELLY, & COUTURIE, INC.
THIS PROPERTY IS IN A F.I.A. FLOOD ZONE AS INDICATED BY THE FEDERAL INSURANCE ADMINISTRATION FLOOD HAZARD BOUNDARY MAP; DATE 12/27/03.



VICINITY MAP
SCALE: N.T.S.

INDEX OF DRAWINGS		
DWG#	DRAWING NAME	REVISED
-	COVER SHEET	
C1	SITE PLAN	
A1	FLOOR PLAN	
A2	SCHEDULES & NOTES	
A3	REFLECTED CEILING PLAN	
H1	HANDICAP REQUIREMENTS	
H2	HANDICAP REQUIREMENTS	
M1	MECHANICAL PLAN, NOTES, & DETAILS	
E1	ELECTRICAL PLANS	
E2	ELECTRICAL SCHEDULES & ONE-LINE DIAGRAM	
P1	PLUMBING PLAN & RISER	
P2	PLUMBING NOTES & DETAILS	

REVIEWED FOR
STATE FIRE MARSHAL
AS PER REVIEW LETTER
BY PATRICK A. FLORY, ARCHITECT
Patrick A. Flory

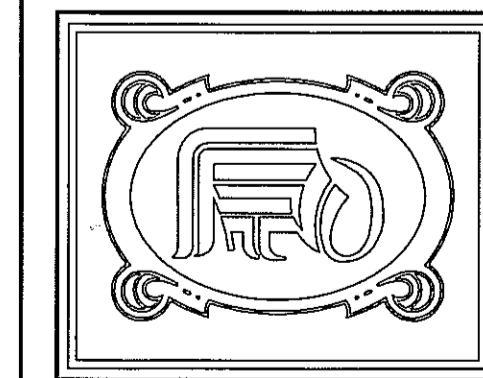
394664

Robert L. Kelly

CHILDRENS INTERNATIONAL
MEDICAL GROUP, 8250
WEST JUDGE PEREZ DRIVE
CHALMETTE, LA

DATE: 02-24-11
JOB NO. 2090

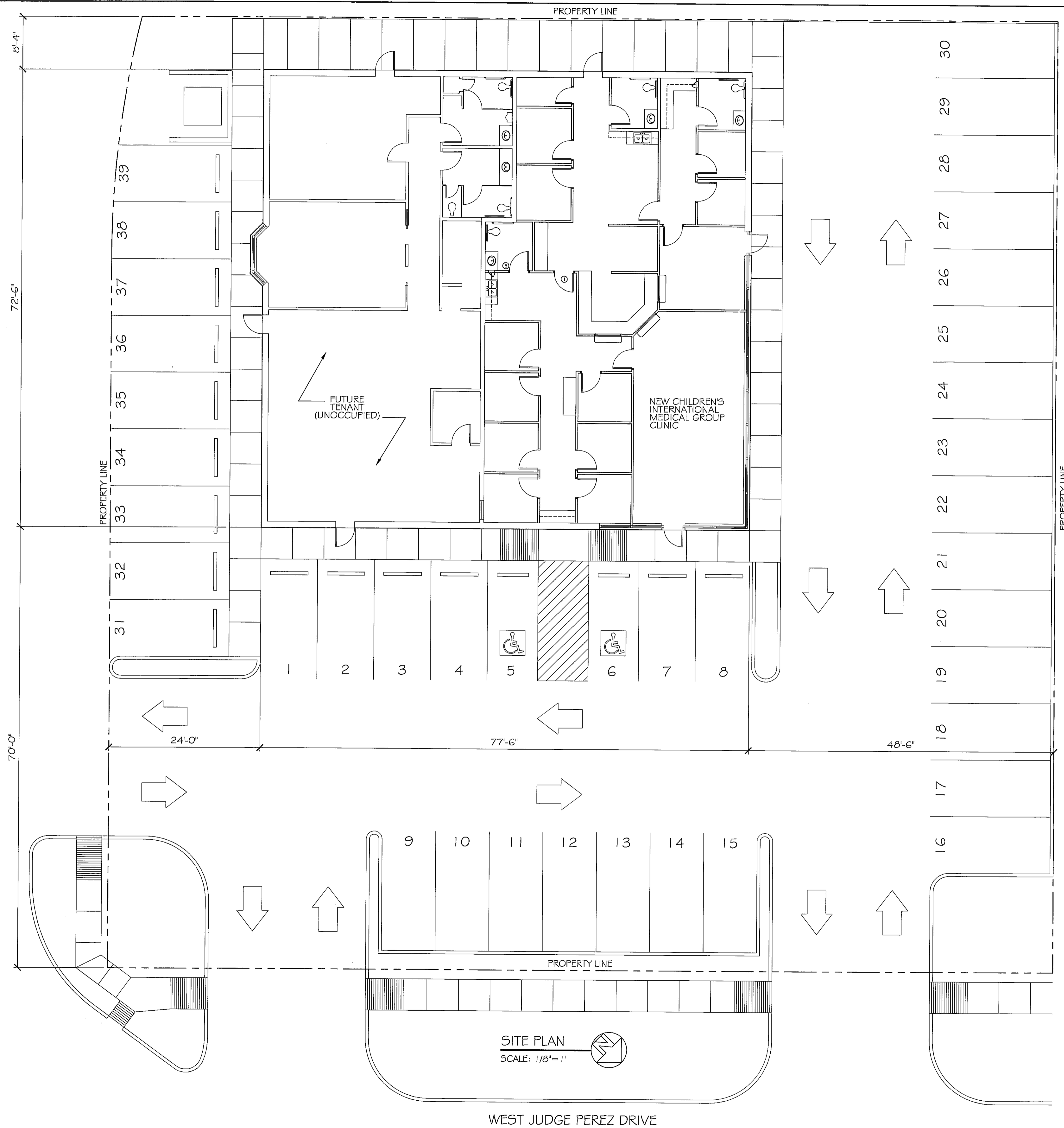
DAMMON ENGINEERING, INC.
1095 FLORIDA AVE.
SLIDELL, LA 70458
OFFICE: (985) 649-5832
FAX: (985) 641-5950
WEBSITE: WWW.DAMMONENGINEERING.COM
EMAIL: DAMMONENG@BELLSOUTH.NET



SHEET 1
OF 12

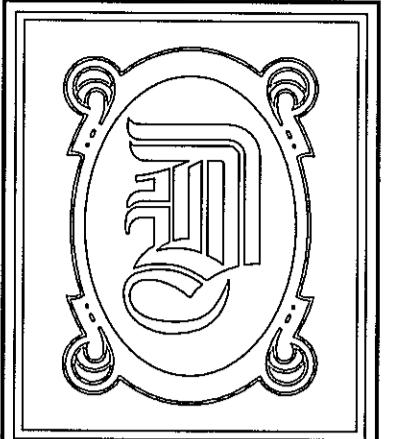
394664

JEAN LAFITTE PARKWAY



SITE PLAN
SCALE: 1/8"=1'

WEST JUDGE PEREZ DRIVE



DAMMON
ENGINEERING, INC.

CHIEF ENGINEER
EMMETT
DAMMON, P.E.

CHIEF ARCHITECT
ROBERT
WILTSE

554 OLD SPANISH TRAIL
SLIDELL, LA. 70458
OFFICE: 985-649-5832
FAX: 985-641-5950

WEBSITE:
WWW.DAMMONENGINEERING.COM

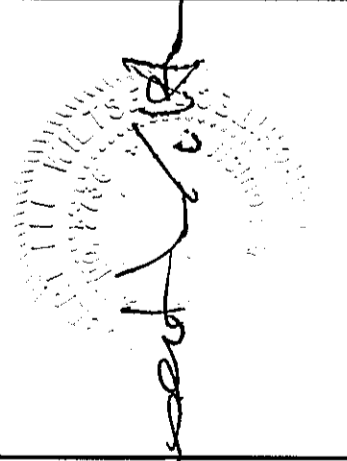
EMAIL:
DAMMONENG@BELLSOUTH.NET

- ARCHITECTURE
- ENGINEERING
- STUDIES
- PLANNING
- INVESTIGATION
- EXPERT WITNESS

CHILDREN'S
INTERNATIONAL
MEDICAL
GROUP

8250 WEST
JUDGE PEREZ DR.
CHALMETTE, LA
DR. EDUARDO
HERNANDEZ

EXISTING
SITE PLAN
WITH NEW
FLOOR PLAN



REV:

SCALE: AS NOTED

JOB#: 2090

DATE: 02-24-11

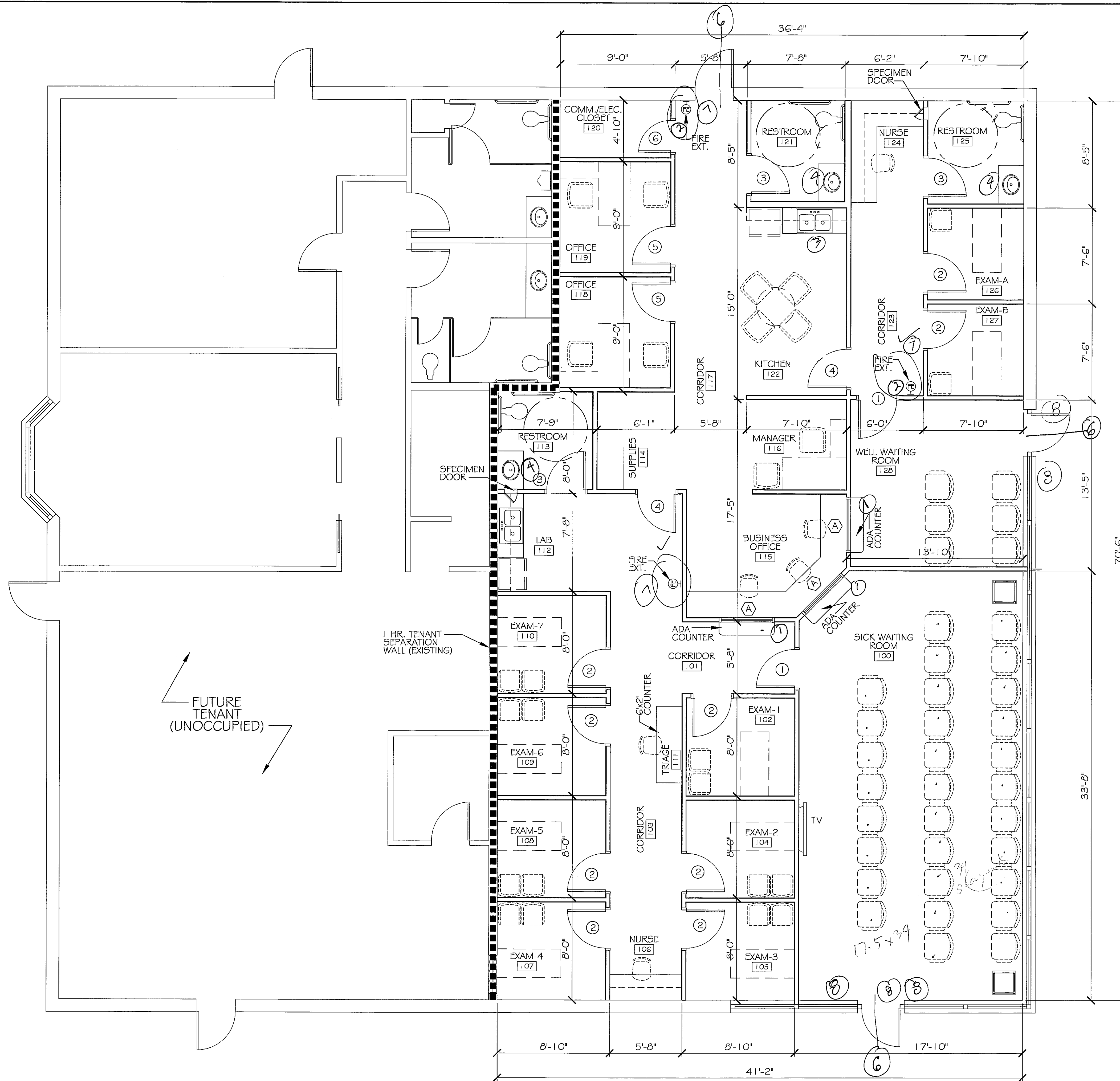
SHEET 2

REVIEWED FOR
STATE FIRE MARSHAL
AS PER REVIEW LETTER
BY: PATRICK A. FLORY, ARCHITECT
Patrick A. Flory

C-1

394664

OF 12



FUTURE
TENANT
(UNOCCUPIED)

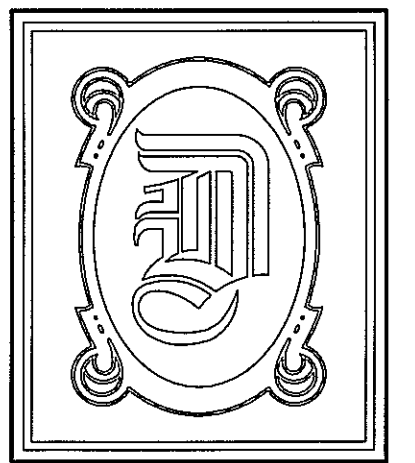
NEW FLOOR PLAN
SCALE: 1/4" = 1'

LEGEND

- ▬ 1 HR. SEPARATION WALL (EXISTING)
- ▬ NEW INTERIOR WALLS
⑥ TYPE 'X' GYP. BD. ON
3/8" 25 GA. METAL STUDS
AT 24" O.C.)
- ▬ EXISTING WALLS
- ⊕ FIRE EXTINGUISHER

See Review Letter

- ① Accessible counter
- ② Door maneuvering clearance.
- ③ Sink height in break room.
- ④ Lavatory comments - deficiencies
- ⑤ Not used.
- ⑥ Level landings.
- ⑦ Fire extinguisher comments
- ⑧ Safety glazing



**DAMMON
ENGINEERING, INC.**

CHIEF ENGINEER
EMMETT
DAMMON, P.E.

CHIEF ARCHITECT
ROBERT
WILTSE

554 OLD SPANISH TRAIL
SLIDELL, LA. 70458
OFFICE: 985-649-5832
FAX: 985-641-5950

WEBSITE:
WWW.DAMMONENGINEERING.COM

EMAIL:
DAMMONENG@BELLSOUTH.NET

- ARCHITECTURE
- ENGINEERING
- STUDIES
- PLANNING
- INVESTIGATION
- EXPERT WITNESS

CHILDREN'S
INTERNATIONAL
MEDICAL
GROUP

8250 WEST
JUDGE PEREZ DR.
CHALMETTE, LA
DR. EDUARDO
HERNANDEZ

FLOOR
PLAN

REV:

SCALE: AS NOTED

JOB#: 2090

DATE: 02-24-11

SHEET 3

REVIEWED FOR
STATE FIRE MARSHAL
AS PER REVIEW LETTER
BY: PATRICK A. FLORY, ARCHITECT
Patrick A. Flory

A-1

394664

OF 12

ROOM FINISH SCHEDULE

NAME	FLOOR	BASE		WALL		CEILING			REMARKS
		CARPET	CERAMIC TILE	CERAMIC TILE	CERAMIC TILE	2x2 SUSP. ACoust.	GYP. BD. PAINTED	CLG. HGT.	
100 SICK WAITING ROOM		●						10'-0"	
101 TRIAGE		●						9'-0"	
102 CORRIDOR		●						9'-0"	
103 EXAM-1		●						9'-0"	
104 EXAM-2		●						9'-0"	
105 EXAM-3		●						9'-0"	
106 NURSE		●						9'-0"	
107 EXAM-4		●						9'-0"	
108 EXAM-5		●						9'-0"	
109 EXAM-6		●						9'-0"	
110 EXAM-7		●						9'-0"	
111 LAB		●						9'-0"	
112 RESTROOM		●						9'-0"	
113 SUPPLIES		●						9'-0"	
114 BUSINESS OFFICE		●						9'-0"	
115 MANAGER		●						9'-0"	
116 CORRIDOR		●						9'-0"	
117 OFFICE		●						9'-0"	
118 OFFICE		●						9'-0"	
119 COMM./ELEC. CLOSET		●						9'-0"	
120 RESTROOM		●						9'-0"	OPEN
121 KITCHEN		●						9'-0"	
122 CORRIDOR		●						9'-0"	
123 NURSE		●						9'-0"	
124 RESTROOM		●						9'-0"	
125 EXAM-A		●						9'-0"	
126 EXAM-B		●						9'-0"	
127 WELL WAITING ROOM		●						10'-0"	

WINDOW SCHEDULE

WINDOW (HT. x WIDTH) INCLUDING FRAME	TYPE		FRAME	GLASS		LITES	ACCESS.		REMARKS
	FIXED	VERT. SLIDE	WOOD	TINTED	INSULATED	NONE	PASS-THRU	SHUTTER	
④ 4'2x4'4	●		WOOD		●		●		STOREFRONT W/PASS-THRU

DOOR & HARDWARE SCHEDULE

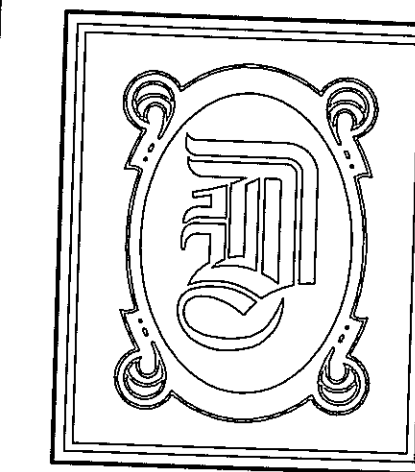
NO.	SIZE	TYPE		FRAME	HINGE	LOCK		ACCESS.		REMARKS
		S. C. WOOD	H. C. WOOD	HOLLOW METAL	BUTT	KEYED HANDLE	PUSH PULL	WEATHERSTRIP	THRESHOLD	
1	3'0x6'8	●								
2	3'0x6'8	●								
3	3'0x6'8	●								3'0x6'8 FRAME
4	3'0x6'8	●								3'0x6'8 FRAME
5	3'0x6'8	●								3'0x6'8 FRAME
6	2'6x6'8	●								3'0x6'8 FRAME

GENERAL NOTES

- INSULATION AND INSULATION ASSEMBLIES SHALL MEET THE REQUIREMENTS OF SECTION 719.
- CONCEALED INSULATION SHALL HAVE A FLAME SPREAD OF 0-25 AND SMOKE DEVELOPED INDEX OF 0-450. EXCEPT THAT IN COMBUSTIBLE (WOOD FRAME) CONSTRUCTION.
- FACING SHALL COMPLY WITH IBC 2006.
- PROVIDE 5'x5' LANDINGS, LEVEL WITH FINISHED FLOOR, OUTSIDE EXTERIOR DOORS ON WEST SIDE OF BUILDING. THRESHOLDS SHALL BE NOT MORE THAN 1/2" IN HEIGHT AND SHALL BE BEVELED IF MORE THAN 1/4".
- CONTRACTOR TO VERIFY ALL SITE CONDITIONS, BUILDING LOCATIONS, AND DIMENSIONS PRIOR TO CONSTRUCTION.
- MATERIALS SHALL BE NEW AND U.L. LISTED.
- NO WORK SHALL BE CONCEALED UNTIL APPROVED BY LOCAL INSPECTORS.
- CONSTRUCTION SHALL COMPLY WITH ALL PARISH, STATE, AND LOCAL CODES.
- CONTRACTOR TO GUARANTEE WORK FOR ONE YEAR.
- CONTRACTOR SHALL FURNISH WATER AND POWER FROM EXISTING SOURCES.
- EXTERIOR CAULKING SHALL BE THIOKAL CAULK.
- PAINT GRADE TO SHALL BE SHERWIN WILLIAMS OR EQUIVALENT. ALL WORK TO RECEIVE 3 COATS. COLOR SELECTION BY OWNER.
- PROVIDE CLEANUP ON A REGULAR BASIS. NO TRASH STORED IN BUILDING.
- ALL BATT INSULATION SHALL HAVE A CLASS "A" (0-25) FLAME SPREAD IN COMPLIANCE WITH APPLICABLE CODE.
- USE 6" STUDS, OR 4" STAGGERED STUDS AT ALL PLUMBING WALLS.
- PROVIDE GALVANIZED METAL PAN WITH DRAIN AT WATER HEATER LOCATION.
- ALL CORNERS SHALL BE PROPERLY BRACED FOR WIND LOADS. A 48" SHEATHING SHALL BE PROVIDED EVERY 20 FEET OF WALL LENGTH.
- FLOORING SHALL BE NON-SLIP.
- INTERIOR LOCKS ON DOORS IN MEANS OF EGRESS SHALL NOT REQUIRE THE USE OF A KEY, SPECIAL KNOWLEDGE, OR SPECIAL DEVICE TO OPEN IN THE DIRECTION OF EGRESS. ALL DOORS SHALL HAVE LEVER TYPE HANDLES.
- INTERIOR WALLS AND CEILINGS SHALL HAVE A FLAME SPREAD OF 0-200 AND A SMOKE DEVELOPMENT RATING OF 0-450.
- ALL WORK SHALL COMPLY WITH THE LATEST EDITION OF ALL LOCAL, STATE, AND NATIONAL CODES COVERING THE TYPE OF WORK BEING PERFORMED.
- PROVIDE PORTABLE FIRE EXTINGUISHERS IN ACCORDANCE WITH NFPA 101. SEE APPENDIX "E" OF NFPA 101 FOR DISTRIBUTION OF EXTINGUISHERS.
- ALL FIRE WALLS SHALL EXTEND TIGHT TO ROOF DECK AND BE SEALED WITH AN APPROVED FIRE CAULK.
- ALL ELECTRICAL, MECHANICAL, AND PLUMBING MATERIALS PENETRATING FIRE WALLS SHALL BE FIRE CAULKED. (PENETRATIONS THROUGH RATED CONSTRUCTION SHALL BE SEALED WITH A MATERIAL CAPABLE OF PREVENTING THE PASSAGE OF FLAMES AND HOT GASES WHEN TESTED IN ACCORDANCE WITH ASTM-E814.)
- SERVICE COUNTER SHALL HAVE A HCP ACCESSIBLE WRITING SURFACE, MAX. 36" FROM F.F. (ADAAG MANUAL 1998, PG 135)

AREAS BY USE:

ROOM	NAME	SQUARE FT.
100	SICK WAITING ROOM	590 SQ. FT.
101	CORRIDOR	53 SQ. FT.
102	EXAM-1	71 SQ. FT.
103	CORRIDOR	176 SQ. FT.
104	EXAM-2	71 SQ. FT.
105	EXAM-3	69 SQ. FT.
106	NURSE	30 SQ. FT.
107	EXAM-4	68 SQ. FT.
108	EXAM-5	69 SQ. FT.
109	EXAM-6	69 SQ. FT.
110	EXAM-7	69 SQ. FT.
111	TRIAJE	31 SQ. FT.
112	LAB	69 SQ. FT.
113	RESTROOM	49 SQ. FT.
114	SUPPLIES	59 SQ. FT.
115	BUSINESS OFFICE	120 SQ. FT.
116	MANAGER	58 SQ. FT.
117	CORRIDOR	183 SQ. FT.
118	OFFICE	80 SQ. FT.
119	OFFICE	80 SQ. FT.
120	COMM./ELEC. CLOSET	42 SQ. FT.
121	RESTROOM	64 SQ. FT.
122	KITCHEN	118 SQ. FT.
123	CORRIDOR	92 SQ. FT.
124	NURSE	48 SQ. FT.
125	RESTROOM	64 SQ. FT.
126	EXAM-A	58 SQ. FT.
127	EXAM-B	58 SQ. FT.
127	WELL WAITING ROOM	184 SQ. FT.
TOTAL =		2,792 SQ. FT.



DAMMON ENGINEERING, INC.

CHIEF ENGINEER
EMMETT DAMMON, P.E.

CHIEF ARCHITECT
ROBERT WILTSE

554 OLD SPANISH TRAIL
SLIDELL, LA. 70458
OFFICE: 985-649-5832
FAX: 985-641-5950

WEBSITE:
WWW.DAMMONENGINEERING.COM

EMAIL:
DAMMONENG@BELLSOUTH.NET

ARCHITECTURE
ENGINEERING
STUDIES
PLANNING
INVESTIGATION
EXPERT WITNESS

CHILDREN'S
INTERNATIONAL
MEDICAL
GROUP

8250 WEST
JUDGE PEREZ DR.
CHALMETTE, LA
DR. EDUARDO
HERNANDEZ

SCHEDULES
AND NOTES

REV:

SCALE: AS NOTED

JOB#: 2090

DATE: 02-24-11

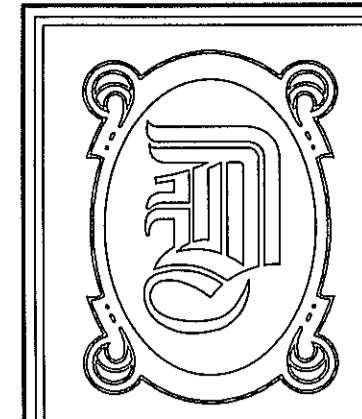
SHEET 4

REVIEWED FOR
STATE FIRE MARSHAL
AS PER REVIEW LETTER
BY: PATRICK A. FLORY, ARCHITECT
Patrick A. Flory

A-2

394664

OF 12



DAMMON ENGINEERING, INC.

CHIEF ENGINEER
EMMETT DAMMON, P.E.

CHIEF ARCHITECT
ROBERT WILTSE

554 OLD SPANISH TRAIL
SLIDELL, LA. 70458
OFFICE: 985-649-5832
FAX: 985-641-5950

WEBSITE:
WWW.DAMMONENGINEERING.COM

EMAIL:
DAMMONENG@BELLSOUTH.COM

ARCHITECTURE
ENGINEERING
STUDIES
PLANNING
INVESTIGATION
EXPERT WITNESS

CHILDREN'S
INTERNATIONAL
MEDICAL
GROUP

8250 WEST
JUDGE PEREZ DRIVE
CHALMETTE, LA
DR. EDUARDO
HERNANDEZ

REFLECTED
CEILING PLAN

REV: *Robert Wiltse*

SCALE: AS NOTED

JOB#: 2090

DATE: 02-24-11

SHEET 5

A-3

OF 12



- LEGEND**
- SUPPLY AIR
 - RETURN AIR
 - 2x4' FLUORESCENT LIGHT
 - STANDARD BULB LIGHT FIXTURE
 - EXHAUST FAN

REFLECTED CEILING PLAN
SCALE: 1/4" = 1'

REVIEWED FOR
STATE FIRE MARSHAL
AS PER REVIEW LETTER
BY: PATRICK A. FLORY, ARCHITECT
Patrick A. Flory

394664 354664

4.16 WATER CLOSETS.

- 4.16.1 GENERAL. ACCESSIBLE WATER CLOSETS SHALL COMPLY WITH 4.16.
- 4.16.2 CLEAR FLOOR SPACE. CLEAR FLOOR SPACE FOR WATER CLOSETS NOT IN STALLS SHALL COMPLY WITH 4.16. CLEAR FLOOR SPACE MAY BE ARRANGED TO ALLOW EITHER A LEFT-HANDED OR RIGHT-HANDED APPROACH.
- 4.16.3 HEIGHT. THE HEIGHT OF WATER CLOSETS SHALL BE 17' TO 19' (480mm TO 485mm), MEASURED TO THE TOP OF THE TOILET SEAT. SEATS SHALL NOT BE SPRING TO RETURN TO A LIFTED POSITION (SEE FIG. 31).
- 4.16.4 GRAB BARS. GRAB BARS FOR WATER CLOSETS NOT LOCATED IN STALLS SHALL COMPLY WITH 4.26 AND FIG. 31. THE GRAB BAR BEHIND THE WATER CLOSET SHALL BE 36" (915mm) MINIMUM.
- 4.16.5 FLUSH CONTROLS. FLUSH CONTROLS SHALL BE HAND OPERATED OR AUTOMATIC AND SHALL COMPLY WITH 4.27.4. CONTROLS FOR FLUSH VALVES SHALL BE MOUNTED ON THE WIDE SIDE OF TOILET AREAS NO MORE THAN 44" (1120mm) ABOVE THE FLOOR.
- 4.16.6 DISPENSERS. TOILET PAPER DISPENSERS SHALL BE INSTALLED WITHIN REACH, AS SHOWN IN FIG. 31. CONTROLS THAT CONTROL, DELIVER, OR THAT DO NOT PERMIT CONTINUOUS PAPER FLOW, SHALL NOT BE USED.

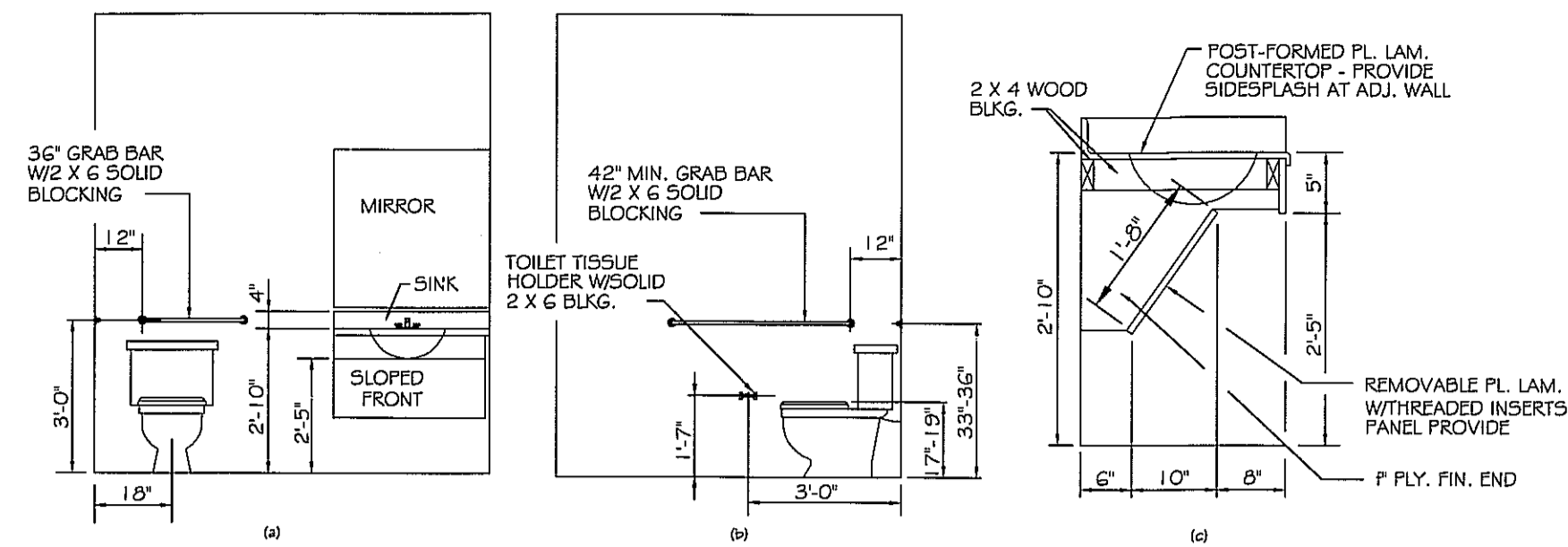


FIG. 31 LAVATORY & WATER CLOSET CLEARANCES
N.T.S.

4.17 TOILET STALLS.

- 4.17.1 LOCATION. ACCESSIBLE TOILET STALLS SHALL BE ON AN ACCESSIBLE ROUTE AND SHALL MEET THE REQUIREMENTS OF 4.17.
- 4.17.2 WATER CLOSETS. WATER CLOSETS IN ACCESSIBLE STALLS SHALL COMPLY WITH 4.16.
- 4.17.3 SIZE AND ARRANGEMENT. THE SIZE AND ARRANGEMENT OF THE STANDARD TOILET STALL SHALL COMPLY WITH 4.17. STANDARD TOILET STALLS WITH A MINIMUM DEPTH OF 56" (1420mm) SHALL HAVE WALL-MOUNTED WATER CLOSETS. IF THE DEPTH OF A STANDARD TOILET STALL IS INCREASED TO AT LEAST 67" (1700mm), THEN A FLOOR-MOUNTED WATER CLOSET MAY BE USED. ARRANGEMENTS SHOWN FOR STANDARD TOILET STALLS MAY BE REVERSED TO ALLOW EITHER A LEFT OR RIGHT-HAND APPROACH. ADDITIONAL STALLS SHALL BE PROVIDED IN CONFORMANCE WITH 4.22.4. EXCEPTION: IN INSTANCES OF ALTERATION WORK WHERE PROVISION OF A STANDARD STALL IS TECHNICALLY INFEASIBLE OR WHERE PLUMBING CODE REQUIREMENTS PREVENT COMBINING CLOSING STALLS TO PROVIDE SPACE, EITHER ALTERNATE STALLS, MAY BE PROVIDED IN LIEU OF THE STANDARD STALL.
- 4.17.4 DE CLEARANCES. IN STANDARD STALLS, THE FRONT PARTITION AND AT LEAST ONE SIDE PARTITION SHALL PROVIDE A CLEARANCE OF AT LEAST 8" (200mm) ABOVE THE FLOOR. IF THE DEPTH OF THE STALL IS GREATER THAN 60" (1525mm), THEN THE TOP CLEARANCE IS NOT REQUIRED.
- 4.17.5 DOORS. TOILET STALL DOORS, INCLUDING DOOR HARDWARE, SHALL COMPLY WITH 4.13. IF TOILET STALL APPROACH IS FROM THE LATCH SIDE OF THE STALL DOOR, CLEARANCE BETWEEN THE DOOR SIDE OF THE STALL AND ANY OBSTRUCTION MAY BE REDUCED TO A MINIMUM OF 42" (1065mm).
- 4.17.6 GRAB BARS. GRAB BARS MAY BE MOUNTED WITH ANY DESIRED METHOD AS LONG AS THEY HAVE A GRIPPING SURFACE AT THE LOCATIONS SHOWN IN FIG. 31 AND DO NOT OBSTRUCT THE REQUIRED CLEAR FLOOR SPACE. GRAB BARS SHALL COMPLY WITH 4.26.

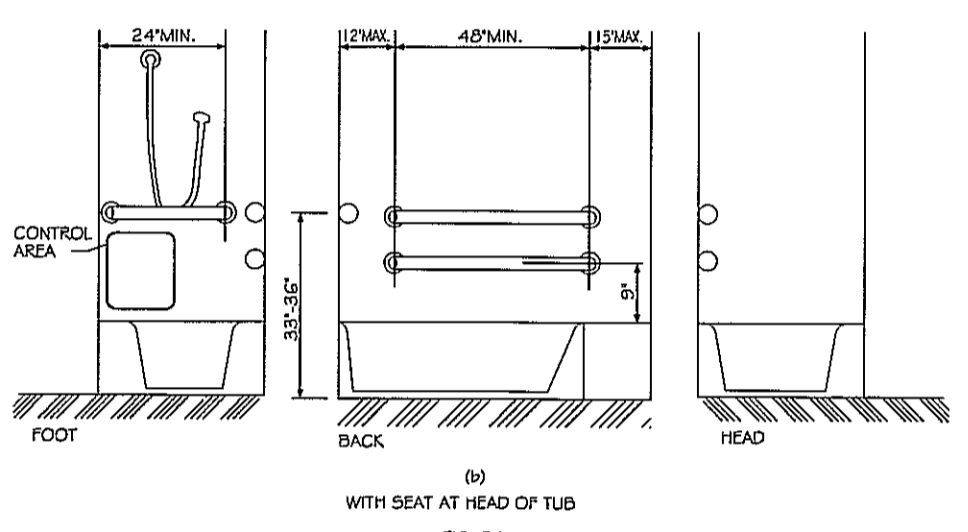
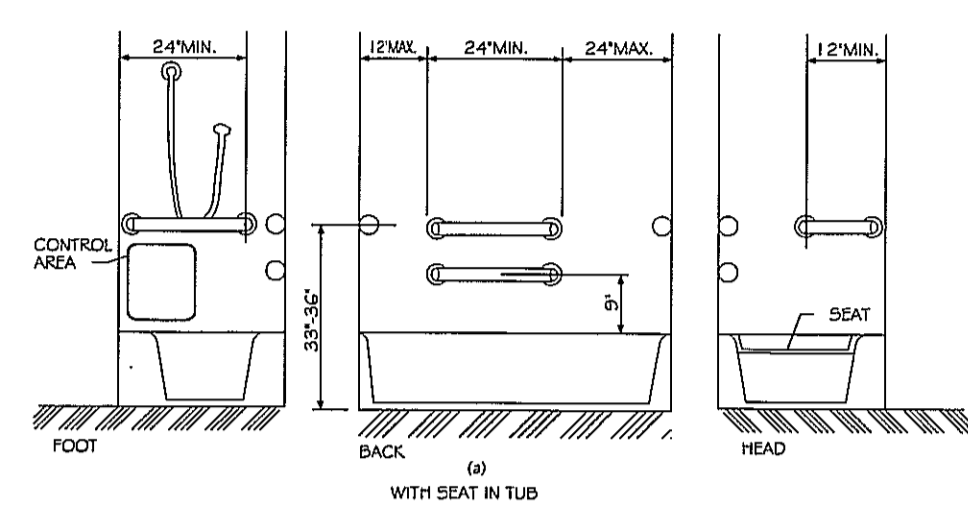


FIG. 34 GRAB BARS AT BATHTUBS
N.T.S.

4.18 URINALS.

- 4.18.1 GENERAL. ACCESSIBLE URINALS SHALL COMPLY WITH 4.18.
- 4.18.2 HEIGHT. URINALS SHALL BE STALL-TYPE OR WALL-HUNG WITH AN ELONGATED RIM AT A MAXIMUM OF 17" (430mm) ABOVE THE FINISH FLOOR.
- 4.18.3 CLEAR FLOOR SPACE. A CLEAR FLOOR SPACE 30" BY 48" (760mm BY 1220mm) SHALL BE PROVIDED IN FRONT OF URINALS TO ALLOW FORWARD APPROACH. THIS CLEAR SPACE SHALL ADJOIN OR OVERLAP AN ACCESSIBLE ROUTE AND SHALL COMPLY WITH 4.2.4. AN ACCESSIBLE ROUTE THAT DOES NOT EXTEND BEYOND THE FRONT EDGE OF THE URINAL RIM MAY BE PROVIDED WITH 29" (735mm) CLEARANCE BETWEEN THEM.
- 4.18.4 FLUSH CONTROLS. FLUSH CONTROLS SHALL BE HAND OPERATED OR AUTOMATIC, AND SHALL COMPLY WITH 4.27.4, AND SHALL BE MOUNTED NO MORE THAN 44" (1120mm) ABOVE THE FINISH FLOOR.

4.19 LAVATORIES & MIRRORS.

- 4.19.1 GENERAL. THE REQUIREMENTS OF 4.19 SHALL APPLY TO LAVATORY FIXTURES, VANITIES, AND BUILT-IN LAVATORIES.
- 4.19.2 HEIGHT & CLEARANCES. LAVATORIES SHALL BE MOUNTED WITH THE RIM OR COUNTER SURFACE NO HIGHER THAN 34" (865mm) ABOVE THE FINISH FLOOR. PROVIDE A CLEARANCE OF AT LEAST 29" (735mm) ABOVE THE FINISH FLOOR TO THE BOTTOM OF THE APRON (SEE FIG. 31).
- 4.19.3 CLEAR FLOOR SPACE. A CLEAR FLOOR SPACE 30" BY 48" (760mm BY 1220mm) COMPLYING WITH 4.2.4 SHALL BE PROVIDED IN FRONT OF A LAVATORY TO ALLOW FORWARD APPROACH. SUCH CLEAR FLOOR SPACE SHALL ADJOIN OR OVERLAP AN ACCESSIBLE ROUTE AND SHALL EXTEND A MAXIMUM OF 19" (485mm) UNDERNEATH THE LAVATORY.
- 4.19.4 EXPOSED PIPES & SURFACES. HOT WATER AND DRAIN PIPES UNDER LAVATORIES SHALL BE INSULATED OR OTHERWISE CONFIGURED TO PROTECT AGAINST CONTACT. THERE SHALL BE NO SHARP OR ABRASIVE SURFACES UNDER LAVATORIES.
- 4.19.5 FAUCETS. FAUCETS SHALL COMPLY WITH 4.27.4. LEVER-OPERATED, PUSH-TYPE, AND ELECTRONICALLY CONTROLLED MECHANISMS ARE EXAMPLES OF ACCEPTABLE DESIGNS. IF SELF-CLOSING VALVES ARE USED, THE FAUCET SHALL REMAIN OPEN FOR AT LEAST 10 SECONDS.
- 4.19.6 MIRRORS. MIRRORS SHALL BE MOUNTED WITH THE BOTTOM EDGE OF THE REFLECTING SURFACE NO HIGHER THAN 40" (1015mm) ABOVE THE FINISH FLOOR (SEE FIG. 31).

4.20 BATHTUBS.

- 4.20.1 GENERAL. ACCESSIBLE BATHTUBS SHALL COMPLY WITH 4.20.
- 4.20.2 FLOOR SPACE. CLEAR FLOOR SPACE IN FRONT OF BATHTUBS SHALL COMPLY WITH 4.20.
- 4.20.3 SEAT. AN IN-TUB SEAT OR A SEAT AT THE HEAD END OF THE TUB SHALL BE PROVIDED AS SHOWN IN FIG. 34. THE STRUCTURAL STRENGTH OF SEATS AND THEIR ATTACHMENTS SHALL COMPLY WITH 4.26.3. SEATS SHALL BE MOUNTED SECURELY AND SHALL NOT SLIP DURING USE.
- 4.20.4 GRAB BARS. GRAB BARS COMPLYING WITH 4.26 SHALL BE PROVIDED AS SHOWN IN FIG. 34.
- 4.20.5 CONTROLS. FAUCETS AND OTHER CONTROLS COMPLYING WITH 4.27.4 SHALL BE LOCATED AS SHOWN IN FIG. 34.
- 4.20.6 SHOWER UNIT. A SHOWER SPRAY UNIT WITH A HOSE AT LEAST 60" (1525mm) LONG THAT CAN BE USED BOTH AS A FIVED SHOWER HEAD AND AS A HAND-HELD SHOWER SHALL BE PROVIDED.
- 4.20.7 BATHTUB ENCLOSURES. IF PROVIDED, ENCLOSURES FOR BATHTUBS SHALL NOT OBSTRUCT CONTROLS OR TRANSFER FROM WHEELCHAIRS ONTO BATHTUB SEATS OR INTO TUBS. ENCLOSURES ON BATHTUBS SHALL NOT HAVE TRACKS MOUNTED ON THEIR RIMS.

4.21 SHOWER STALLS.

- 4.21.1 GENERAL. ACCESSIBLE SHOWER STALLS SHALL COMPLY WITH 4.21.
- 4.21.2 SIZE & CLEARANCE. EXCEPT AS SPECIFIED IN 9.1.2, SHOWER STALL SIZE AND CLEAR FLOOR SPACE SHALL COMPLY WITH FIG. 34(a) OR (b). THE SHOWER STALL IN FIG. 34(a) SHALL BE 30" BY 36" (760mm BY 915mm). THE SHOWER STALL IN FIG. 34(b) WILL FIT INTO THE SPACE REQUIRED FOR A BATHTUB.
- 4.21.3 SEAT. A SEAT SHALL BE PROVIDED IN SHOWER STALLS 36" BY 36" (915mm BY 915mm). THE SEAT SHALL BE MOUNTED 17" TO 19" (430mm TO 485mm) FROM THE BATHTUB FLOOR AND SHALL EXTEND THE FULL DEPTH OF THE STALL. IN A 36" BY 36" SHOWER STALL, THE SEAT SHALL BE ON THE WALL OPPOSITE THE CONTROLS. WHERE A WIDER SEAT IS PROVIDED, THE SEAT SHALL BE ON THE WALL ADJACENT TO THE CONTROLS. THE STRUCTURAL STRENGTH OF SEATS AND THEIR ATTACHMENTS SHALL COMPLY WITH 4.26.3.
- 4.21.4 GRAB BARS. GRAB BARS COMPLYING WITH 4.26 SHALL BE PROVIDED AS SHOWN IN FIG. 34.
- 4.21.5 CONTROLS. FAUCETS AND OTHER CONTROLS COMPLYING WITH 4.27.4 SHALL BE LOCATED AS SHOWN IN FIG. 34. FAUCETS AND OTHER CONTROLS SHALL COMPLY WITH 4.27.4. ALL CONTROLS, FAUCETS, AND THE SHOWER UNIT SHALL BE MOUNTED ON THE SIDE WALL OPPOSITE THE SEAT.
- 4.21.6 SHOWER UNIT. A SHOWER SPRAY UNIT WITH A HOSE AT LEAST 60" (1525mm) LONG THAT CAN BE USED BOTH AS A FIVED SHOWER HEAD OR AS A HAND-HELD SHOWER SHALL BE PROVIDED. EXCEPTION: IN UNMOUNTED FACILITIES WHERE VANDALISM IS A CONSIDERATION, A FIVED SHOWER HEAD MOUNTED AT 48" (1220mm) ABOVE THE SHOWER FLOOR MAY BE USED IN LIEU OF A HAND-HELD SHOWER HEAD.
- 4.21.7 CURBS. IF PROVIDED, CURBS IN SHOWER STALLS 36" BY 36" (915mm BY 915mm) SHALL BE NO HIGHER THAN 10" (250mm). SHOWER STALLS THAT ARE 30" BY 60" (760mm BY 1525mm) SHALL NOT HAVE CURBS.
- 4.21.8 SHOWER ENCLOSURES. IF PROVIDED, ENCLOSURES FOR SHOWER STALLS SHALL NOT OBSTRUCT CONTROLS OR OBSTRUCT TRANSFER FROM WHEELCHAIRS ONTO SHOWER SEATS.

4.22 TOILET ROOMS.

- 4.22.1 MINIMUM NUMBER. TOILET FACILITIES REQUIRED TO BE ACCESSIBLE BY 4.1 SHALL COMPLY WITH 4.22. ACCESSIBLE TOILET ROOMS SHALL BE ON AN ACCESSIBLE ROUTE.
- 4.22.2 DOORS. ALL DOORS TO ACCESSIBLE TOILET ROOMS SHALL COMPLY WITH 4.13. DOORS SHALL NOT SWING INTO THE CLEAR FLOOR SPACE REQUIRED FOR ANY FIXTURE.
- 4.22.3 CLEAR FLOOR SPACE. THE ACCESSIBLE FIXTURES AND CONTROLS REQUIRED IN 4.22.4, 4.22.5, 4.22.6, AND 4.22.7 SHALL BE ON AN ACCESSIBLE ROUTE. AN UNOBSTRUCTED TURNING SPACE COMPLYING WITH 4.2.3 SHALL BE PROVIDED WITHIN AN ACCESSIBLE TOILET ROOM. THE CLEAR FLOOR SPACE AT FIXTURES AND CONTROLS, THE ACCESSIBLE ROUTE, AND THE TURNING SPACE MAY OVERLAP. EXCEPTION: IN TOILET ROOMS WITH ONLY ONE WATER CLOSET AND ONE LAVATORY, A CLEAR FLOOR SPACE OF 30" BY 60" (760mm BY 1525mm) MAY BE USED IN LIEU OF THE UNOBSTRUCTED TURNING SPACE.
- 4.22.4 WATER CLOSETS. IF TOILET STALLS ARE PROVIDED, THEN AT LEAST ONE SHALL COMPLY WITH 4.17 ITS WATER CLOSET SHALL COMPLY WITH 4.16. IF WATER CLOSETS ARE NOT IN STALLS, THEN AT LEAST ONE SHALL COMPLY WITH 4.16.
- 4.22.5 URINALS. IF URINALS ARE PROVIDED, THEN AT LEAST ONE SHALL COMPLY WITH 4.18.
- 4.22.6 LAVATORIES AND MIRRORS. IF LAVATORIES AND MIRRORS ARE PROVIDED, THEN AT LEAST ONE OF EACH SHALL COMPLY WITH 4.19.
- 4.22.7 CONTROLS AND DISPENSERS. IF CONTROLS, DISPENSERS, RECEPTACLES, OR OTHER EQUIPMENT IS PROVIDED, THEN AT LEAST ONE OF EACH SHALL BE ON AN ACCESSIBLE ROUTE AND SHALL COMPLY WITH 4.27.

4.23 BATHROOM, BATHING FACILITIES, AND SHOWER ROOMS.

- 4.23.1 MINIMUM NUMBER. BATHROOMS, BATHING FACILITIES, OR SHOWER ROOMS REQUIRED TO BE ACCESSIBLE BY 4.1 SHALL COMPLY WITH 4.23 AND SHALL BE ON AN ACCESSIBLE ROUTE. FOR ADVANTAGE BATHROOMS IN ACCESSIBLE DWELLING UNITS, SEE 4.34.5.
- 4.23.2 DOORS. DOORS TO ACCESSIBLE BATHROOMS SHALL COMPLY WITH 4.13. DOORS SHALL NOT SWING INTO THE FLOOR SPACE REQUIRED FOR ANY FIXTURE.
- 4.23.3 CLEAR FLOOR SPACE. THE ACCESSIBLE FIXTURES AND CONTROLS REQUIRED IN 4.23.4, 4.23.5, 4.23.6, 4.23.7, 4.23.8, AND 4.23.9 SHALL BE ON AN ACCESSIBLE ROUTE. AN UNOBSTRUCTED TURNING SPACE COMPLYING WITH 4.2.3 SHALL BE PROVIDED WITHIN AN ACCESSIBLE BATHROOM. THE CLEAR FLOOR SPACE AT FIXTURES AND CONTROLS, THE ACCESSIBLE ROUTE AND THE TURNING SPACE MAY OVERLAP. EXCEPTION: IN BATHROOMS WITH ONLY ONE WATER CLOSET, ONE LAVATORY, AND ONE BATHTUB OR SHOWER A CLEAR FLOOR SPACE OF 30" BY 60" (760mm BY 1525mm) MAY BE USED IN LIEU OF THE UNOBSTRUCTED TURNING SPACE.
- 4.23.4 WATER CLOSETS. IF TOILET STALLS ARE PROVIDED, THEN AT LEAST ONE SHALL COMPLY WITH 4.17 ITS WATER CLOSET SHALL COMPLY WITH 4.16. IF WATER CLOSETS ARE NOT IN STALLS, THEN AT LEAST ONE SHALL COMPLY WITH 4.16.
- 4.23.5 URINALS. IF URINALS ARE PROVIDED, THEN AT LEAST ONE SHALL COMPLY WITH 4.18.
- 4.23.6 LAVATORIES AND MIRRORS. IF LAVATORIES AND MIRRORS ARE PROVIDED, THEN AT LEAST ONE OF EACH SHALL COMPLY WITH 4.19.
- 4.23.7 CONTROLS AND DISPENSERS. IF CONTROLS, DISPENSERS, RECEPTACLES, OR OTHER EQUIPMENT IS PROVIDED, THEN AT LEAST ONE OF EACH SHALL BE ON AN ACCESSIBLE ROUTE AND SHALL COMPLY WITH 4.27.
- 4.23.8 BATHING AND SHOWER FACILITIES. IF TUBS, OR SHOWERS ARE PROVIDED, THEN AT LEAST ONE ACCESSIBLE TUB THAT COMPLES WITH 4.20 OR AT LEAST ONE ACCESSIBLE SHOWER THAT COMPLES WITH 4.21 SHALL BE PROVIDED.
- 4.23.9 MEDICINE CABINETS. IF MEDICINE CABINETS ARE PROVIDED, AT LEAST ONE SHALL BE LOCATED WITH A USABLE SELF NO HIGHER THAN 44" (1120mm) ABOVE THE FLOOR SPACE. THE FLOOR SPACE SHALL COMPLY WITH 4.2.4.

4.24 SINKS.

- 4.24.1 GENERAL. SINKS REQUIRED TO BE ACCESSIBLE BY 4.1 SHALL COMPLY WITH 4.24. SINKS IN KITCHENS OF ACCESSIBLE DWELLING UNITS SHALL COMPLY WITH 4.34.6.5.
- 4.24.2 HEIGHT. SINKS SHALL BE MOUNTED WITH THE COUNTER OR RIM NO HIGHER THAN 34" (865mm) FROM THE FINISHED FLOOR (SEE FIG. 31).
- 4.24.3 KNEE CLEARANCE. KNEE CLEARANCE THAT IS AT LEAST 27" (685mm) HIGH, 30" (760mm) WIDE, AND 19" (485mm) DEEP SHALL BE PROVIDED UNDERNEATH SINKS.
- 4.24.4 DEPTH. EACH SINK SHALL BE A MAXIMUM OF 6-1/2" (165mm) DEEP.

- 4.23.5 CLEAR FLOOR SPACE. A CLEAR FLOOR SPACE AT LEAST 30" BY 48" (760mm BY 1220mm) COMPLYING WITH 4.2.4 SHALL BE PROVIDED IN FRONT OF A SINK TO ALLOW FORWARD APPROACH. THE CLEAR FLOOR SPACE SHALL BE ON AN ACCESSIBLE ROUTE AND SHALL EXTEND A MAXIMUM OF 19" (485mm) UNDERNEATH THE SINK.
- 4.23.6 EXPOSED PIPES AND SURFACES. HOT WATER AND DRAIN PIPES EXPOSED UNDER SINKS SHALL BE INSULATED OR OTHERWISE COVERED. THERE SHALL BE NO SHARP OR ABRASIVE SURFACES UNDER SINKS.
- 4.23.7 FAUCETS. FAUCETS SHALL COMPLY WITH 4.27.4. LEVER-OPERATED, PUSH-TYPE, TOUCH-TYPE, OR ELECTRONICALLY CONTROLLED MECHANISMS ARE ACCEPTABLE DESIGNS.

4.25 STORAGE.

- 4.25.1 GENERAL. FIXED STORAGE FACILITIES SUCH AS CABINETS, SHELVES, CLOSETS, AND DRAWERS REQUIRED TO BE ACCESSIBLE BY 4.1 SHALL COMPLY WITH 4.25.
- 4.25.2 CLEAR FLOOR SPACE. A CLEAR FLOOR SPACE AT LEAST 30" BY 48" (760mm BY 1220mm) COMPLYING WITH 4.2.4 THAT ALLOWS EITHER A FORWARD OR PARALLEL APPROACH BY A PERSON USING A WHEELCHAIR SHALL BE PROVIDED AT ACCESSIBLE STORAGE FACILITIES.
- 4.25.3 HEIGHT. ACCESSIBLE STORAGE SPACES SHALL BE WITHIN AT LEAST ONE OF THE REACH RANGES SPECIFIED IN 4.2.5 AND 4.2.6. CLOTHES RODS SHALL BE A MAXIMUM OF 54" (1370mm) FROM THE FLOOR.
- 4.25.4 HARDWARE. HARDWARE FOR ACCESSIBLE STORAGE FACILITIES SHALL COMPLY WITH 4.27.4. TOUCH LATCHES AND L-SHAPED PULLS ARE ACCEPTABLE.
- 4.26.2 SIZE AND SPACING OF GRAB BARS AND HANDRAILS. THE DIAMETER OR WIDTH OF THE GRIPPING SURFACES OF A HANDRAIL OR GRAB BAR SHALL BE 1 1/4" TO 1 1/2" (30mm TO 38mm) OR THE SHAPE SHALL PROVIDE AN EQUIVALENT GRIPPING SURFACE. IF HANDRAILS OR GRAB BARS ARE MOUNTED ADJACENT TO A WALL, THE SPACE BETWEEN THE WALL AND THE GRAB BAR SHALL BE 1 1/2" (38mm). HANDRAILS MAY BE LOCATED IN A RECESS IF THE RECESS IS A MAXIMUM OF 3" (75mm) DEEP AND EXTENDS AT LEAST 1 1/2" (38mm) ABOVE THE TOP OF THE RAIL.
- 4.26.3 STRUCTURAL STRENGTH. THE STRUCTURAL STRENGTH OF GRAB BARS, TUB AND SHOWER SEATS, FASTENERS, AND MOUNTING DEVICES SHALL MEET THE FOLLOWING SPECIFICATIONS: (1) BENDING STRESS IN A GRAB BAR OR SEAT BY THE APPLICATION OF 250LB (111.2N) SHALL BE LESS THAN THE ALLOWABLE STRESS FOR THE MATERIAL OF THE GRAB BAR OR SEAT. (2) SHEAR STRESS INDUCED IN A GRAB BAR OR SEAT BY THE APPLICATION OF 250LB (111.2N) SHALL BE LESS THAN THE ALLOWABLE SHEAR STRESS FOR THE MATERIAL OF THE GRAB BAR OR SEAT. IF THE CONNECTION BETWEEN THE GRAB BAR OR SEAT AND ITS MOUNTING BRACKET OR OTHER SUPPORT IS CONSIDERED TO BE FULLY RESTRAINED, THEN DIRECT AND TORSIONAL SHEAR STRESSES SHALL BE TOWARD FOR THE COMBINED SHEAR STRESS WHICH SHALL NOT EXCEED THE ALLOWABLE SHEAR STRESS. (3) SHEAR FORCE INDUCED IN A FASTENER OR MOUNTING DEVICE FROM THE APPLICATION OF 250LB (111.2N) SHALL BE NO LESS THAN THE ALLOWABLE LATERAL LOAD OF EITHER THE FASTENER OR MOUNTING DEVICE OR THE SUPPORTING STRUCTURE WHICHEVER IS THE SMALLER ALLOWABLE LOAD. (4) TENSILE FORCE INDUCED IN A FASTENER BY A DIRECT TENSION FORCE OF 250LB (111.2N) PLUS THE MAXIMUM MOMENT FROM THE APPLICATION OF 250LB (111.2N) SHALL BE LESS THAN THE ALLOWABLE WITHDRAWAL AND THE SUPPORTING STRUCTURE. (5) GRAB BARS SHALL NOT ROTATE WITHIN THEIR FITTINGS.
- 4.26.4 ELIMINATING HAZARDS. A HANDRAIL OR GRAB BAR AND ANY WALL OR OTHER SURFACE ADJACENT TO IT SHALL BE FREE OF ANY SHARP OR ABRASIVE ELEMENTS. EDGES SHALL HAVE A MINIMUM RADIUS OF 1/8" (32mm).

4.27 CONTROLS AND OPERATING MECHANISMS.

- 4.27.1 GENERAL. CONTROLS AND OPERATING MECHANISMS REQUIRED TO BE ACCESSIBLE BY 4.1 SHALL COMPLY WITH 4.27.
- 4.27.2 CLEAR FLOOR SPACE. CLEAR FLOOR SPACE COMPLYING WITH 4.2.4 THAT ALLOWS A PARALLEL APPROACH BY A PERSON USING A WHEELCHAIR SHALL BE PROVIDED AT CONTROLS, DISPENSERS, RECEPTACLES, AND OTHER OPERABLE EQUIPMENT.
- 4.27.3 HEIGHT. THE HIGHEST OPERABLE PART OF ALL CONTROLS, DISPENSERS, RECEPTACLES, AND OTHER OPERABLE EQUIPMENT SHALL BE PLACED WITHIN AT LEAST ONE OF THE REACH RANGES SPECIFIED IN 4.2.5 AND 4.2.6. EXCEPT WHERE THE USE OF SPECIAL EQUIPMENT INDICATES OTHERWISE, ELECTRICAL AND COMMUNICATION SYSTEM RECEPTACLES ON WALLS SHALL BE MOUNTED NO LESS THAN 15" (380mm) ABOVE THE FLOOR.
- 4.27.4 OPERATION. CONTROLS AND OPERATING MECHANISMS SHALL BE OPERABLE WITH ONE HAND AND SHALL NOT REQUIRE TIGHT GRASPING, FINGERING, OR TWISTING OF THE WRIST. THE FORCE REQUIRED TO ACTIVATE CONTROLS SHALL BE NO GREATER THAN 5 LBF (22.2N).

4.28 ALARMS.

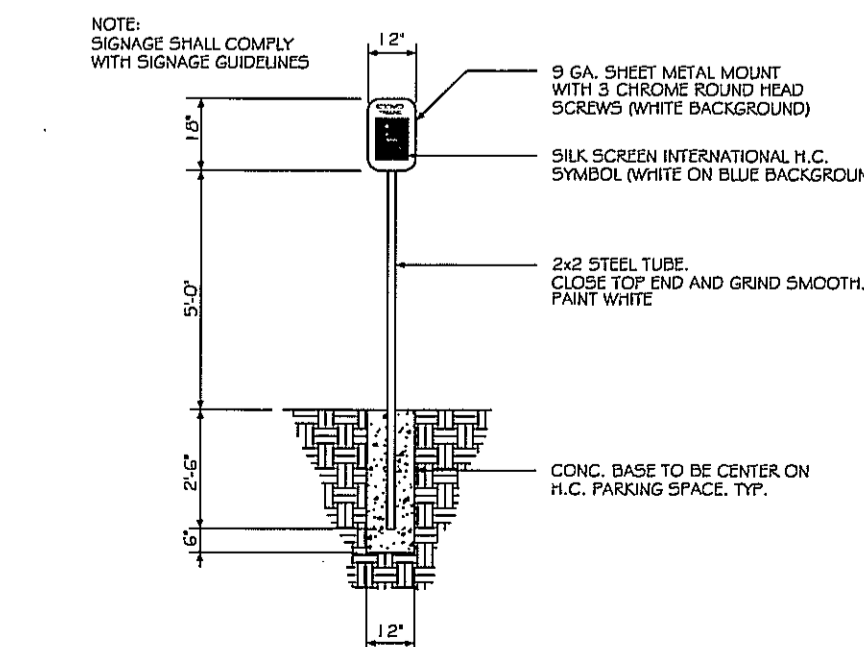
- 4.28.1 GENERAL. ALARM SYSTEMS REQUIRED TO BE ACCESSIBLE BY 4.1 SHALL COMPLY WITH 4.28.
- 4.28.2 AUDIBLE ALARMS. IF PROVIDED, AUDIBLE EMERGENCY ALARMS SHALL PRODUCE A SOUND THAT EXCEEDS THE PRESCRIBED EQUIVALENT SOUND LEVEL IN THE ROOM OR SPACE BY AT LEAST 15 DECIBELS OR EXCEEDS ANY MAXIMUM SOUND LEVEL WITH A DURATION OF 30 SECONDS BY 5 DECIBELS, WHICHEVER IS GREATER. SOUND LEVELS FOR ALARM SIGNALS SHALL NOT EXCEED 120 DECIBELS.
- 4.28.3 VISUAL ALARMS. IF PROVIDED, ELECTRICALLY POWERED INTERNALLY ILLUMINATED EMERGENCY EXIT SIGNS SHALL FLASH AS A VISUAL EMERGENCY ALARM IN CONJUNCTION WITH AUDIBLE EMERGENCY ALARMS. THE FLASHING RATE OF VISUAL ALARMS SHALL BE LESS THAN 50% IF SUCH ALARMS USE ELECTRICITY FROM THE BUILDING AS A POWER SOURCE AND SHALL BE INSTALLED ON THE BUILDING AS THE VISUAL EMERGENCY ALARMS. EXCEPTIONS: (1) VISUAL ALARM DEVICES THAT ARE MOUNTED ADJACENT TO EMERGENCY EXIT SIGNS MAY BE USED IN LIEU OF FLASHING EXIT SIGNS. (2) SPECIALIZED SYSTEMS UTILIZING ADVANCED TECHNOLOGY MAY BE SUBSTITUTED FOR THE VISUAL SYSTEMS SPECIFIED ABOVE IF EQUIVALENT PROTECTION IF APPROVED HANDICAPPED USERS OF THE BUILDING OR FACILITY.
- 4.28.4 AUXILIARY ALARMS. ACCESSIBLE SLEEPING ACCOMMODATIONS SHALL HAVE A VISUAL ALARM CONNECTED TO THE BUILDING EMERGENCY ALARM SYSTEM OR SHALL HAVE A STANDARD 110 VOLT ELECTRICAL RECEPTACLE INTO WHICH AN ALARM BELL IS CONNECTED. INSTRUCTIONS FOR USE OF THE AUXILIARY ALARM OR CONNECTION SHALL BE PROVIDED.

4.29 TACTILE WARNINGS.

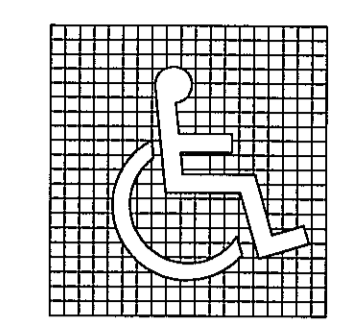
- 4.29.1 GENERAL. TACTILE WARNINGS REQUIRED TO BE ACCESSIBLE BY 4.1 SHALL COMPLY WITH 4.29.
- 4.29.2 TACTILE WARNINGS ON WALKING SURFACES. (RESERVED)
- 4.29.3 TACTILE WARNINGS ON DOORS TO HAZARDOUS AREAS. (RESERVED)
- 4.29.4 TACTILE WARNINGS AT STAIRS. (RESERVED)
- 4.29.5 TACTILE WARNINGS AT HAZARDOUS VEHICULAR AREAS. (RESERVED)
- 4.29.6 TACTILE WARNINGS AT REFLECTING POOLS. (RESERVED)
- 4.29.7 STANDARDIZATION. TEXTURED SURFACES FOR TACTILE DOOR WARNINGS SHALL BE STANDARD WITHIN A BUILDING, FACILITY, SITE, OR COMPLEX OF BUILDINGS.

4.30 SIGNAGE.

- 4.30.1 GENERAL. SIGNAGE REQUIRED TO BE ACCESSIBLE BY 4.1 SHALL COMPLY WITH 4.30.
- 4.30.2 CHARACTER PROPORTION. LETTERS AND NUMBERS ON SIGNS SHALL HAVE A WIDTH-TO-HEIGHT RATIO BETWEEN 3/5 AND 1/1 AND A STROKE WIDTH TO-HEIGHT RATIO BETWEEN 1/5 AND 1/10.
- 4.30.3 COLOR CONTRAST. CHARACTERS AND SYMBOLS SHALL CONTRAST WITH THEIR BACKGROUND, EITHER LIGHT CHARACTERS ON A DARK BACKGROUND OR DARK CHARACTERS ON A LIGHT BACKGROUND.
- 4.30.4 RAISED OR INDENTED CHARACTERS OR SYMBOLS. LETTERS AND NUMBERS ON SIGNS SHALL BE RAISED 1/32" MINIMUM AND SHALL BE SAND-SERIF CHARACTERS. RAISED CHARACTERS OR SYMBOLS SHALL BE AT LEAST 3/16" (4.8mm) HIGH, BUT NO HIGHER THAN 2" (50mm). INDENTED CHARACTERS OR SYMBOLS SHALL HAVE A STROKE WIDTH OF AT LEAST 1/16" (1.6mm). SYMBOLS OR PICTOGRAPHS ON SIGNS SHALL BE RAISED OR INDENTED 1/32" MINIMUM.
- 4.30.5 SYMBOLS OF ACCESSIBILITY. ACCESSIBLE FACILITIES REQUIRED TO BE IDENTIFIED BY 4.1 SHALL USE THE INTERNATIONAL SYMBOL OF ACCESSIBILITY. THE SYMBOL SHALL BE DISPLAYED AS SHOWN IN FIG. 43.
- 4.30.6 MOUNTING LOCATION AND HEIGHT. INTERIOR SIGNAGE SHALL BE LOCATED ALONGSIDE THE DOOR ON THE LATCH SIDE AND SHALL BE MOUNTED AT A HEIGHT OF BETWEEN 54" AND 66" (1370mm AND 1675mm) ABOVE THE FINISHED FLOOR.



EXTERIOR HANDICAP SIGN
N.T.S.



INTERNATIONAL SYMBOL OF ACCESSIBILITY
N.T.S.

4.31 TELEPHONES.

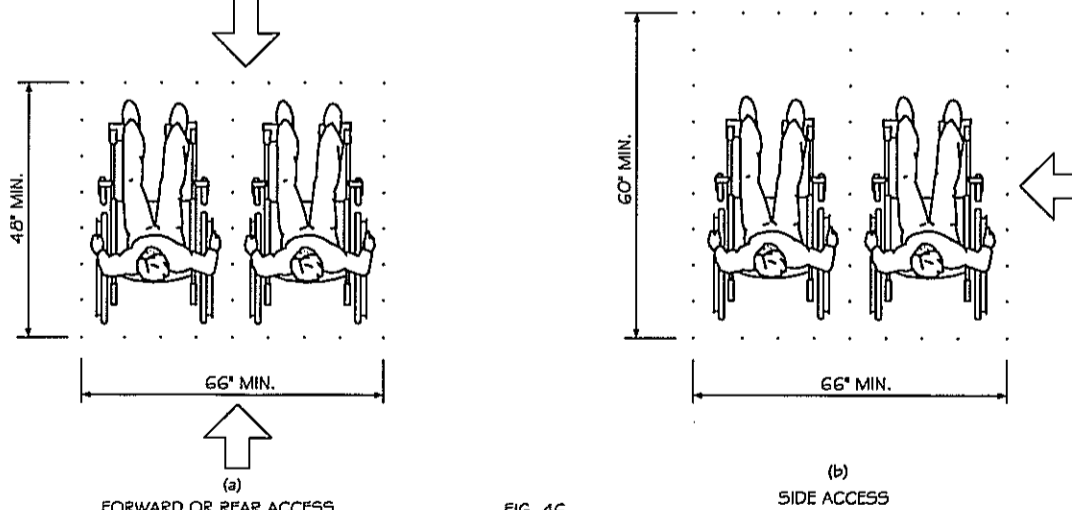
- 4.31.1 GENERAL. PUBLIC TELEPHONES REQUIRED TO BE ACCESSIBLE BY 4.1 SHALL COMPLY WITH 4.31.
- 4.31.2 CLEAR FLOOR OR GROUND SPACE. A CLEAR FLOOR OR GROUND SPACE AT LEAST 30" BY 48" (760mm BY 1220mm) THAT ALLOWS EITHER A FORWARD OR PARALLEL APPROACH BY A PERSON USING A WHEELCHAIR SHALL BE PROVIDED AT TELEPHONES. THE CLEAR FLOOR OR GROUND SPACE SHALL COMPLY WITH 4.2.4. BASES, ENCLOSURES, AND FIXED SEATS SHALL NOT IMPED APPROACHES TO TELEPHONES BY PEOPLE WHO USE WHEELCHAIRS.
- 4.31.3 MOUNTING HEIGHT. THE HIGHEST OPERABLE PART OF THE TELEPHONE SHALL BE WITHIN THE REACH RANGES SPECIFIED IN 4.2.5 OR 4.2.6.
- 4.31.4 PROTRUDING OBJECTS. TELEPHONES SHALL COMPLY WITH 4.4.
- 4.31.5 EQUIPMENT FOR HEARING IMPAIRED PEOPLE. TELEPHONES SHALL BE EQUIPPED WITH A CONTROL THAT OPERATES AS A RECEPTACLE IN ACCORDANCE WITH 4.1.2.
- 4.31.6 CONTROLS. TELEPHONES SHALL HAVE PUSHBUTTON CONTROLS WHERE SERVICE FOR SUCH EQUIPMENT IS AVAILABLE.
- 4.31.7 TELEPHONE BOOKS. TELEPHONE BOOKS, IF PROVIDED, SHALL BE LOCATED IN A POSITION THAT COMPLES WITH THE REACH RANGES SPECIFIED IN 4.2.5 AND 4.2.6.
- 4.31.8 CORD LENGTH. THE CORD FROM THE TELEPHONE TO THE HANDSET SHALL BE AT LEAST 29".

4.32 SEATING, TABLES, AND WORK SURFACES.

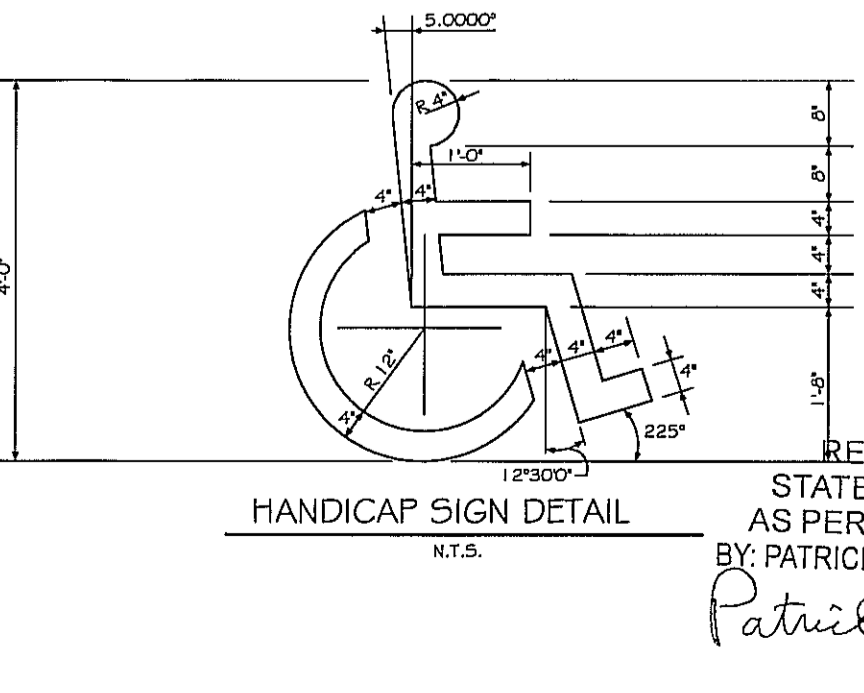
- 4.32.1 MINIMUM NUMBER. FIXED OR BUILT-IN SEATING, TABLES, OR WORK SURFACES REQUIRED TO BE ACCESSIBLE BY 4.1 SHALL COMPLY WITH 4.32.
- 4.32.2 SEATING. IF SEATING SPACES FOR PEOPLE IN WHEELCHAIRS ARE PROVIDED AT TABLES, BALCONIES, OR WORK SURFACES, CLEAR FLOOR SPACE COMPLYING WITH 4.2.4 SHALL BE PROVIDED. SUCH CLEAR FLOOR SPACE SHALL NOT OVERLAP KNEE SPACE BY MORE THAN 19" (485mm).
- 4.32.3 KNEE CLEARANCES. IF SEATING FOR PEOPLE IN WHEELCHAIRS IS PROVIDED AT TABLES, COUNTERS, AND WORK SURFACES, KNEE SPACES AT LEAST 27" (685mm) HIGH 30" (760mm) WIDE AND 19" (485mm) DEEP SHALL BE PROVIDED.
- 4.32.4 HEIGHT OF WORK SURFACES. THE TOPS OF TABLES AND WORK SURFACES SHALL BE FROM 28" TO 34" (710mm TO 865mm) FROM THE FLOOR OR GROUND.

4.33 ASSEMBLY AREAS.

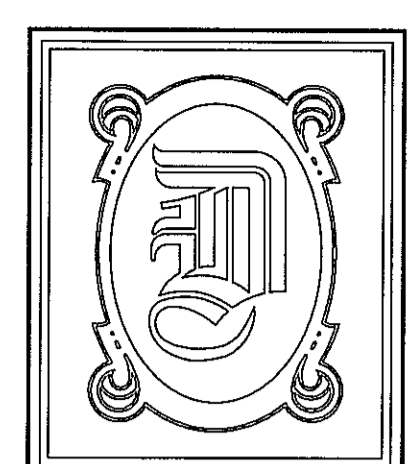
- 4.33.1 MINIMUM NUMBER. ASSEMBLY AND ASSOCIATED AREAS REQUIRED TO BE ACCESSIBLE BY 4.1 SHALL COMPLY WITH 4.33.
- 4.33.2 SIZE OF WHEELCHAIR LOCATIONS. EACH WHEELCHAIR LOCATION SHALL PROVIDE MINIMUM CLEAR GROUND OR FLOOR SPACES AS SHOWN IN FIG. 46.
- 4.33.3 PLACEMENT OF WHEELCHAIR LOCATIONS. WHEELCHAIR AREAS SHALL BE AN INTEGRAL PART OF ANY FIXED SEATING PLAN AND SHALL BE DISPERSED THROUGHOUT THE SEATING AREA. THEY SHALL ADJOIN AN ACCESSIBLE ROUTE THAT ALSO SERVES AS A MEANS OF EGRESS IN CASE OF EMERGENCY AND SHALL BE LOCATED TO PROVIDE LINES OF SIGHT COMPARABLE TO THOSE FOR ALL VIEWING AREAS. EXCEPTION: ACCESSIBLE VIEWING POSITIONS MAY BE CLUSTERED FOR BLEACHERS, BALCONIES, AND OTHER AREAS HAVING SIGHT LINES THAT REQUIRE SLOPES OF GREATER THAN 5 PERCENT. EQUIVALENT ACCESSIBLE VIEWING POSITIONS MAY BE LOCATED ON LEVELS HAVING EQUIVALENT EGRESS.
- 4.33.4 SURFACES. THE GROUND OR FLOOR AT WHEELCHAIR LOCATIONS SHALL BE LEVEL AND COMPLY WITH 4.2.
- 4.33.5 ACCESS TO PERFORMING AREAS. AN ACCESSIBLE ROUTE SHALL CONNECT WHEELCHAIR SEATING LOCATIONS WITH PERFORMING AREAS, INCLUDING STAGES, ARMS, FLOORS, DRESSING ROOMS, LOCKER ROOMS, AND OTHER SPACES USED BY PERFORMERS.
- 4.33.6 PLACEMENT OF LISTENING SYSTEMS. IF THE LISTENING SYSTEM PROVIDED SERVES INDIVIDUAL FIXED SEATS, THEN SUCH SEATS SHALL BE LOCATED WITHIN A 50" (1270mm) VERTICAL DISTANCE STAGE OR PLAYING AREA AND SHALL HAVE A COMPLETE VIEW OF THE STAGE OR PLAYING AREA.
- 4.33.7 TYPES OF LISTENING SYSTEMS. AUDIO LOOPS AND RADIO FREQUENCY SYSTEMS ARE TWO ACCEPTABLE TYPES OF LISTENING SYSTEMS.



SPACE REQUIREMENTS FOR WHEELCHAIR SEATING SPACES IN SERIES
N.T.S.



HANDICAP SIGN DETAIL
N.T.S.



DAMMON ENGINEERING, INC.

CHIEF ENGINEER
EMMETT DAMMON, P.E.

CHIEF ARCHITECT
ROBERT WILTSE

554 OLD SPANISH TRAIL
SLIDELL, LA. 70458
OFFICE: 985-649-5832
FAX: 985-641-5950

WEBSITE:
WWW.DAMMONENGINEERING.COM
EMAIL:
DAMMONENG@BELLSOUTH.NET

ARCHITECTURE
ENGINEERING
STUDIES
PLANNING
INVESTIGATION
EXPERT WITNESS

CHILDREN'S INTERNATIONAL MEDICAL GROUP

8250 WEST JUDGE PEREZ DR.
CHALMETTE, LA
DR. EDUARDO HERNANDEZ

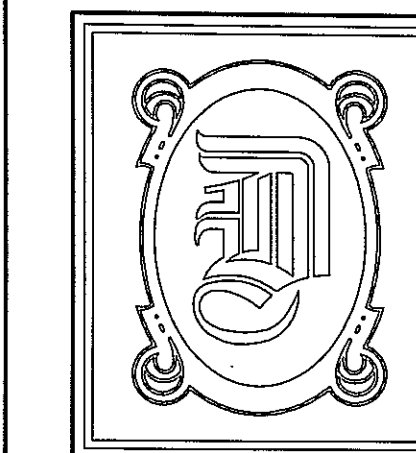
HANDICAP REQUIREMENTS

REV: Robert Wiltse

SCALE: AS NOTED
JOB#: 2090
DATE: 02-24-11
SHEET 7

REVIEWED FOR STATE FIRE MARSHAL AS PER REVIEW LETTER BY PATRICK A. FLORY, ARCHITECT
Patrick A. Flory
H-2
394664
OF 12

BY: PATRICK A. FLORY, ARCHITECT



DAMMON ENGINEERING, INC.

CHIEF ENGINEER
EMMETT DAMMON, P.E.

CHIEF ARCHITECT
ROBERT WILTSE

554 OLD SPANISH TRAIL
SUDELL, LA. 70458
OFFICE: 985-649-5832
FAX: 985-641-5950

WEBSITE:
WWW.DAMMONENGINEERING.COM

EMAIL:
DAMMONENG@BELLSOUTH.NET

ARCHITECTURE
ENGINEERING
STUDIES
PLANNING
INVESTIGATION
EXPERT WITNESS

CHILDREN'S
INTERNATIONAL
MEDICAL
GROUP

8250 WEST
JUDGE PEREZ DR.
CHALMETTE, LA
DR. EDUARDO
HERNANDEZ

MECHANICAL
PLAN

REV:

SCALE: AS NOTED

JOB#: 2090

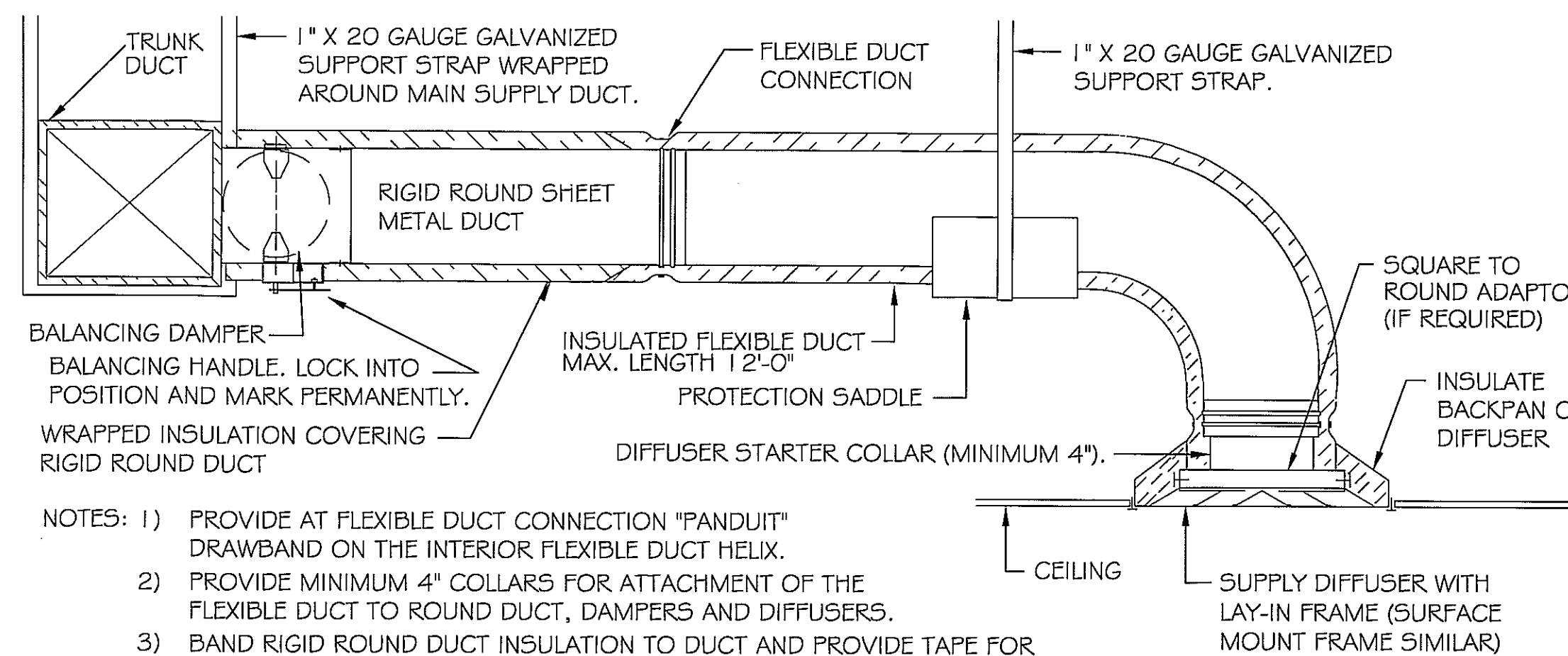
DATE: 02-24-11

SHEET 8

M-1

394664

OF 12



DIFFUSER CONNECTION DETAIL-FLEX DUCT
N.T.S.

- LEGEND**
- SUPPLY AIR GRILLE
 - RETURN AIR GRILLE
 - EXHAUST FAN
 - THERMOSTAT
 - SUPPLY AIR FLEX DUCT
 - SUPPLY AIR DUCT
 - RETURN AIR DUCT

EXHAUST FAN SCHEDULE

NO.	LOCATION	CFM	VOLTAGE	TYPE	MANF.
EF1	RESTROOM	110	120	VENT	BROAN
EF2	RESTROOM	110	120	VENT	BROAN
EF2	RESTROOM	110	120	VENT	BROAN

EXISTING ROOFTOP A/C UNIT SCHEDULE

NO.	TOTAL MBTUH	CFM	O.A.	HEAT ELEC.	VOLTAGE	ELECTRICAL MCA	CKT BRKR	COMMENTS
RTU-4	235.46 1.8 TON	5,400	1,089	34 KW	208/120V	122	LP1-1,3,5	CARRIER DX 50TM020

- HVAC NOTES**
- CONCEALED DUCTWORK TO BE UL-181, CLASS 1, FIBERGLASS DUCTBOARD. DUCTS SHALL BE SIZED TO LIMIT AIR DUCTS TO 1000 CFM & SECONDARY DUCTS TO 800 CFM. TO BE INSTALLED PER SMACNA STANDARDS.
 - EXPOSED DUCTWORK TO BE GALVANIZED SHEET METAL PER SMACNA STANDARDS. LINE WITH NEOPRENE COATED 1.0" 1.5 POUNDS PER CUBIC FOOT DUCT INSULATION.
 - ROUND FLEXIBLE DUCT TO BE UL-181, CLASS 1, AIR DUCT MATERIALS.
 - DUCT SIZES SHOWN ARE CLEAR INSIDE DIMENSIONS.
 - IN ALL SYSTEMS 2000 CFM AND OVER, BUT LESS THAN 15,000 CFM, SMOKE DETECTORS SHALL BE INSTALLED, IN ACCORDANCE WITH NFPA 72E & NFPA 90A, IN THE RETURN DUCT DOWNSTREAM OF THE AIR HANDLING UNIT AND ALL FILTERS TO AUTOMATICALLY STOP THE FAN.
 - PROVIDE U.L. LISTED 125 °F FIRESTAT IN RETURN AIR OF EACH SYSTEM UNDER 2000 CFM TO SHUT DOWN THE FAN IN THE EVENT OF FIRE.
 - PROVIDE U.L. RATED FIRE DAMPERS WHERE REQUIRED AT ALL DUCT PENETRATIONS OF FIRE-RATED ASSEMBLIES AND WHERE REQUIRED BY CODE, INCLUDING OUTSIDE AIR INTAKES.
 - CONDENSATE DRAINS TO BE PVC PIPE RUN TO PLUMBERS P-TRAP WITHIN FIVE FEET OF AIR HANDLING UNITS.
 - ALL AIR HANDLING SYSTEMS TO BE BALANCED TO ASSURE PROPER AIR FLOWS PER PLANS.
 - ALL THERMOSTATS TO BE AUTOMATIC CHANGEOVER WITH HEAT SWITCH.
 - EXHAUST FAN EQUAL TO BROAN MODEL NO. 100 CF. OR EQUAL. FAN SHALL BE CONTROLLED BY A SWITCH ON THE WALL IN THE SAME LOCATION AS LIGHT SWITCH(S). PROVIDE BACK DRAFT DAMPER.
 - PROVIDE AND INSTALL WATER PROOF GRILLE VENT IN PROPER ROOF LOCATION FOR PLUMBING FIXTURE EXHAUST.
 - ALL SUPPLY AIR VENTS SHALL BE EQUIPPED WITH AIR CONTROL DAMPERS.
 - LOCATE OUTDOOR UNITS AS SHOWN ON ARCH. DWGS.
 - REFRIGERANT LINES SHALL BE SIZED BY UNIT MANUFACTURER AND INSTALLED ACCORDING TO MANUFACTURER'S INSTRUCTIONS.
 - FRESH AIR SHALL BE SUPPLIED TO EACH AIR HANDLER THROUGH EXTERIOR WALL DUCT SUPPLIED WITH A CONTROL DAMPER.
 - INSTALL FIRE DAMPER WHERE S.A. & R.A. DUCTS PENETRATE 1 HOUR RATED CEILINGS.
 - ALL ELECTRICAL, MECHANICAL, AND PLUMBING PENETRATING FIRE WALLS SHALL BE FIRE CAULKED. (PENETRATIONS THROUGH RATED CONSTRUCTION SHALL BE SEALED WITH A MATERIAL CAPABLE OF PREVENTING THE PASSAGE OF FLAMES AND HOT GASES WHEN TESTED IN ACCORDANCE WITH ASTM-E8-14).
 - ALL MECHANICAL SYMBOLS ARE DRAWN DIAGRAMATICALLY. CONTRACTOR TO VERIFY WITH OWNER LOCATIONS OF VENTS, DAMPERS, REGISTERS, ETC.
 - REFER TO STRUCTURAL DRAWINGS TO COORDINATE LOCATION(S) & MOUNTING OF MECHANICAL EQUIPMENT.
 - FLEXIBLE DUCTWORK LENGTH NOT TO EXCEED 10'-0".
 - REFER TO REFLECTED CEILING PLAN FOR FINAL GRILLE AND DIFFUSER LOCATIONS AND COORDINATE AS REQUIRED.
 - FINAL LOCATION OF TEMPERATURE CONTROLS TO BE COORDINATED WITH OWNER AT JOB SITE.
 - PROVIDE AND INSTALL SMOKE DETECTORS AS APPROVED BY LOCAL A.H.J'S. PLACE NEAR R/A AND S/A OPENINGS OF AHU AND PROVIDE, WITH ACCESS PANEL, WIRING BY ELECTRICAL CONTRACTOR.
 - FRESH AIR INTAKES ARE REQUIRED TO HAVE MOTORIZED OR GRAVITY DAMPERS TO SHUT OFF WHEN SYSTEM IS NOT RUNNING. ALL THERMOSTATS MUST BE PROGRAMABLE. SEE SECTIONS 502.4.4 OR 503.2.4.3 OF THE 2006 INTERNATIONAL ENERGY CODE.

CMIG - CHALMETTE, LA HVAC CALCULATIONS

Project Children's International Medical Group Chalmette, LA HVAC Calculations
Wed Feb 23 12:02:42 EST 2011

Calculations #1:
The Btuh Gain for 487 SqFt of NorthEast and NorthWest Single Pane Glass = 43830
The Btuh Gain for 74 SqFt of Windows in Doors = 976.8

The Btuh Gain for 725 SqFt of Mason Above Grade R-11 Wall Number 1 = 1160
The Btuh Gain for 425 SqFt of Mason Above Grade R-11 Wall Number 2 = 680
The Btuh Gain for 383 SqFt of Mason Above Grade R-11 Wall Number 3 = 612.8
The Btuh Gain for 653 SqFt of Wood R-19 & 1/2" Gypsum Wall Number 4 = 1110.1

The Btuh Gain for 2792 SqFt of Ceiling and Roof Combo R-11; Ceiling Number 1 = 19544
The Btuh Gain for 28 People = 280
The Btuh Gain for 2792 SqFt of Area Lighting in an Office = 8376

The Kitchen Outside Fresh Air #1 = 35.4 cfm
The Btuh Gain for Outside Fresh Air #1 = 1062
The Reception Area Outside Fresh Air #2 = 804.6 cfm
The Btuh Gain for Outside Fresh Air #2 = 24138
The Office Space Outside Fresh Air #3 = 249.2 cfm
The Btuh Gain for Outside Fresh Air #3 = 7476

The Total Outside Fresh Air CFM = 1089.2

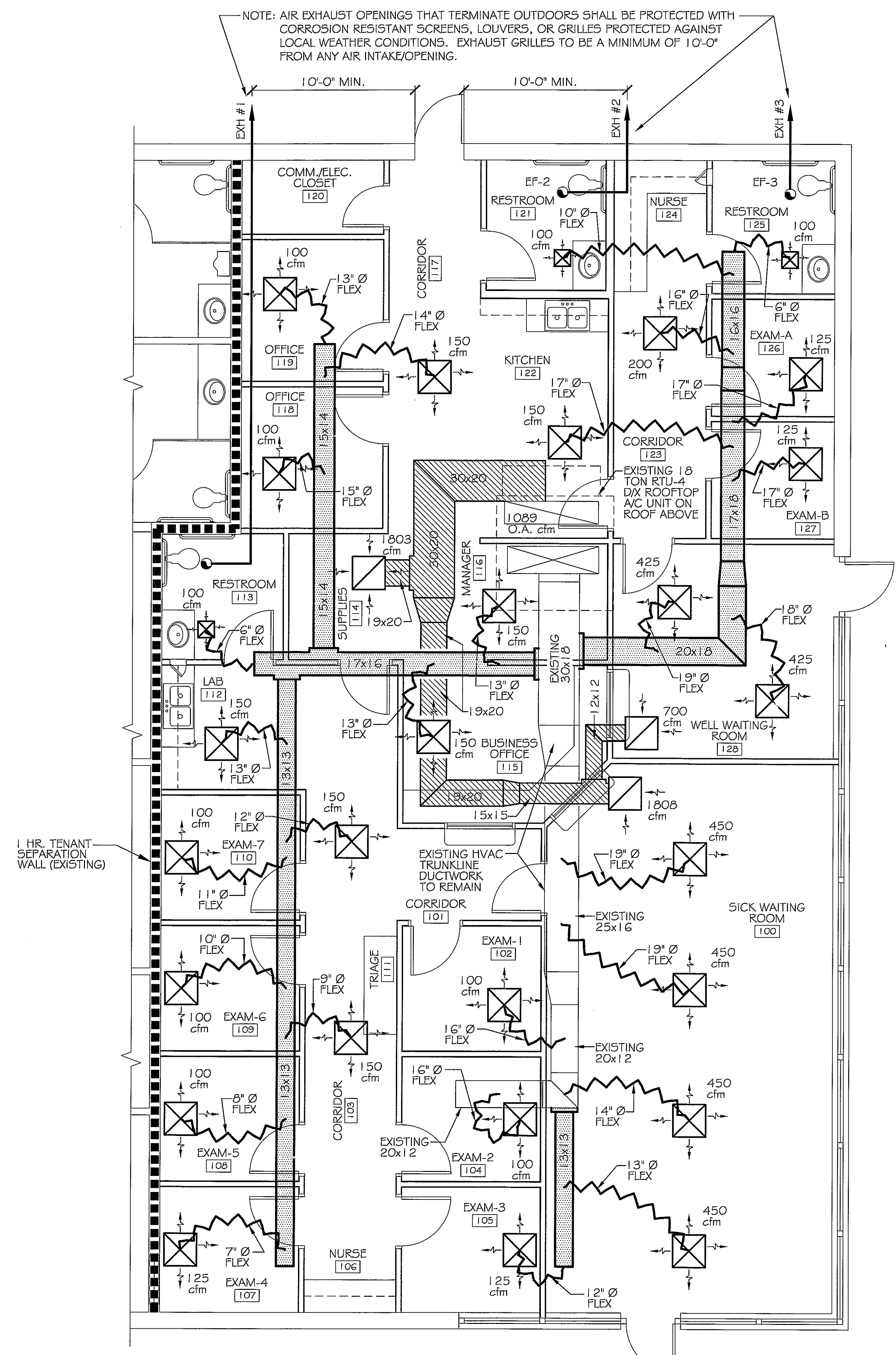
This is in accordance with International Mechanical Code 2003

The Total BTU/h Gain = 109245.7

The Total Tons of HVAC needed per Calculations #1 = 9.103808333333334 or 9 1/2 Tons

Calculations #2:
2792 SqFt of Office/Business Space Divided by 300 = 9.306667 or 9 1/2 Tons

Conclusion: Minimum HVAC Tonnage required for this Office is 9 1/2 or 10 Tons.



MECHANICAL PLAN
SCALE: 1/4"=1'

Vertical text on the right margin: 0 1 2 3 4 5 6 7 8 9 10 11 12 13 14 15 16 17 18 19 20 21 22 23 24 25 26 27 28 29 30 31 32 33 34 35 36 37 38 39 40 41 42 43 44 45 46 47 48 49 50