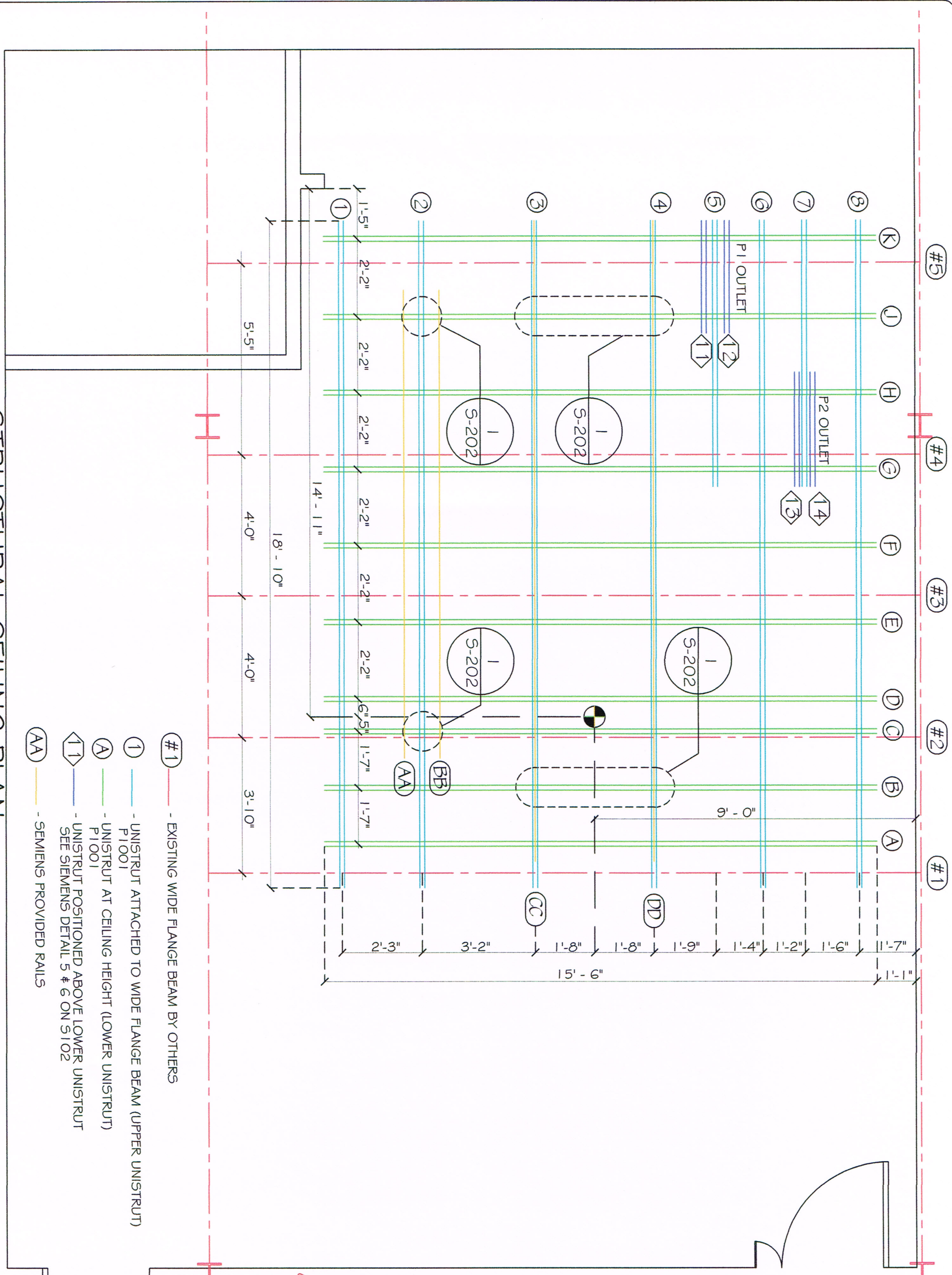


STRUCTURAL CEILING PLAN

SCALE: 3/8" = 1"



- #1 - EXISTING WIDE FLANGE BEAM BY OTHERS
- ① - UNISTRUT ATTACHED TO WIDE FLANGE BEAM (UPPER UNISTRUT)
- ② - UNISTRUT AT CEILING HEIGHT (LOWER UNISTRUT)
- ③ - UNISTRUT POSITIONED ABOVE LOWER UNISTRUT
- ④ - SEE SIEMENS DETAIL 5 & 6 ON S102
- AA - SEMIENS PROVIDED RAILS



S-201

SLIDELL MEMORIAL HOSPITAL
CATH LAB #2 UNISTRUT SYSTEM
SLIDELL, LA

JOB#: 2169 DATE: 3/18/2013

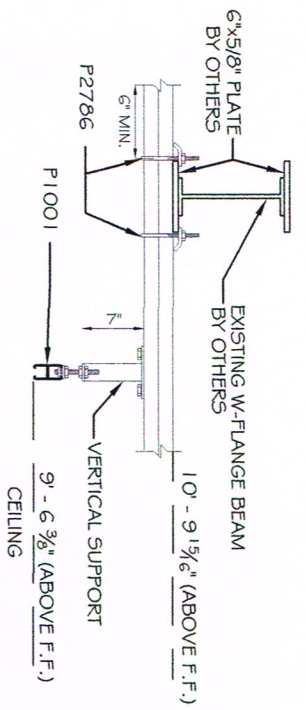
SCALE: 3/8" - 1"



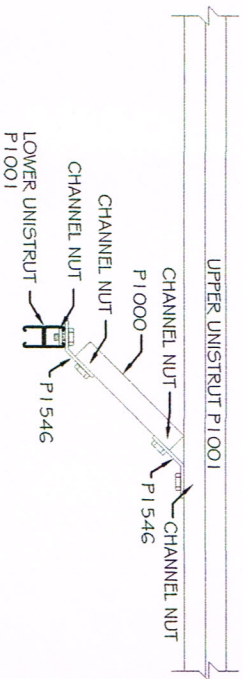
DAMMON
ENGINEERING, INC.
Architects & Engineers

CHIEF ENGINEER: EMMETT DAMMON, P.E.
CHIEF ARCHITECT: KEVIN KINCHEN
554 OLD SPANISH TRAIL
SLIDELL, LA 70458

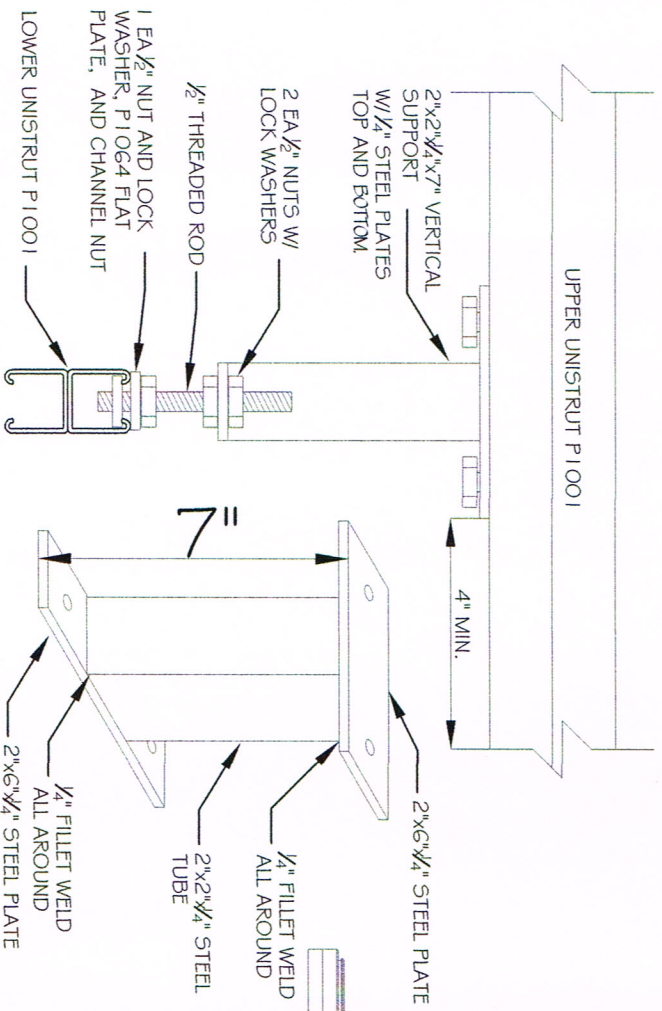
www.dammonengineering.com
dammoneng@bellsouth.net
PHONE: 905-648-5632
FAX: 905-641-5950



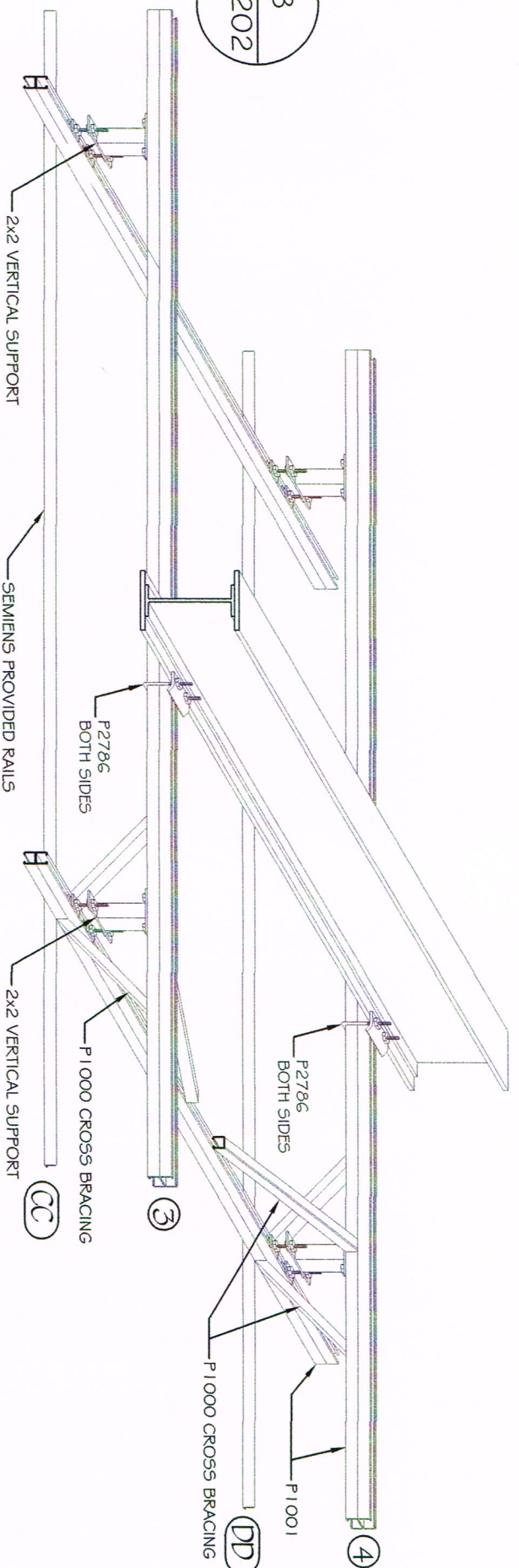
SUPPORT SECTION TYP. 3
N.T.S. 5-202



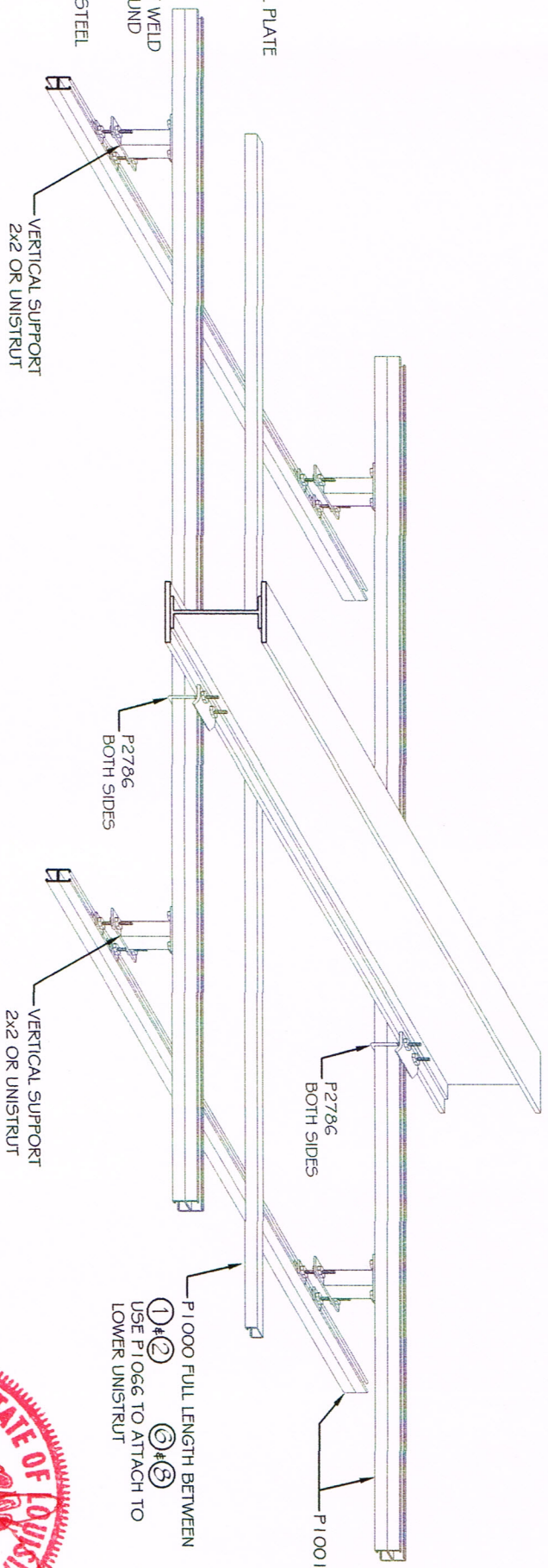
HORIZONTAL SUPPORT SYSTEM DETAIL
N.T.S. 4 5-202



VERTICAL SUPPORT SYSTEM DETAIL 5
N.T.S. 5-202



ISO UNISTRUT SUPPORT @ INTERSECTING SIEMENS RAILS (TYP.) 1
N.T.S. 5-202



ISO UNISTRUT SUPPORT (TYP.) 2
N.T.S. 5-202



SLIDELL MEMORIAL HOSPITAL
CATH LAB #2 UNISTRUT SYSTEM
SLIDELL, LA

JOB#: 2169 DATE: 3/18/2013
SCALE: AS NOTED



DAMMON
ENGINEERING, INC.
Architects & Engineers

CHIEF ENGINEER: EMMETT DAMMON, P.E.
CHIEF ARCHITECT: KEVIN KINCHEN
554 OLD SPANISH TRAIL
SLIDELL, LA 70456

www.dammonengineering.com
dammoneng@bellsouth.net
PHONE: 905-649-5632
FAX: 905-641-5950

5-202