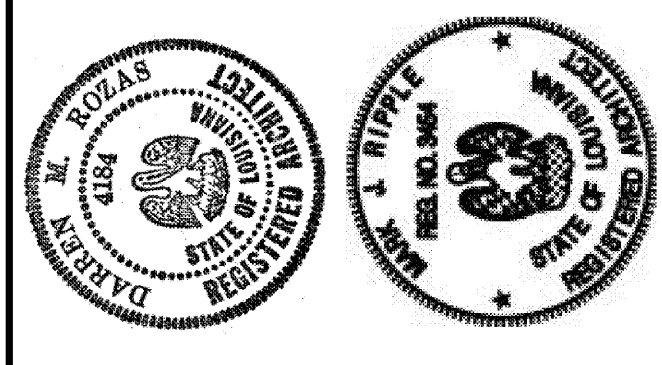


THE ABOVE DRAWINGS AND SPECIFICATIONS ARE THE PROPERTY OF EDR AND RW. CONTRACTORS SHALL VERIFY ALL DIMENSIONS AND CONDITIONS ON THE JOB AND THIS OFFICE MUST BE NOTIFIED OF ANY DISCREPANCIES IMMEDIATELY. DIMENSIONS AND CONDITIONS SHOWN BY THESE DRAWINGS, SHOP DETAILS AND SPECIFICATIONS SHALL PREVAIL OVER ANY OTHER DOCUMENTS. CONTRACTORS SHALL VERIFY ALL DIMENSIONS AND CONDITIONS ON THE JOB AND THIS OFFICE MUST BE NOTIFIED OF ANY DISCREPANCIES IMMEDIATELY. DIMENSIONS AND CONDITIONS SHOWN BY THESE DRAWINGS, SHOP DETAILS AND SPECIFICATIONS SHALL PREVAIL OVER ANY OTHER DOCUMENTS.

**OCHSNER
 NORTH CAMPUS -
 INTERNAL
 MEDICINE
 RELOCATION**

OCHSNER MEDICAL CENTER
 1401 Jefferson Highway
 Jefferson, LA 70121

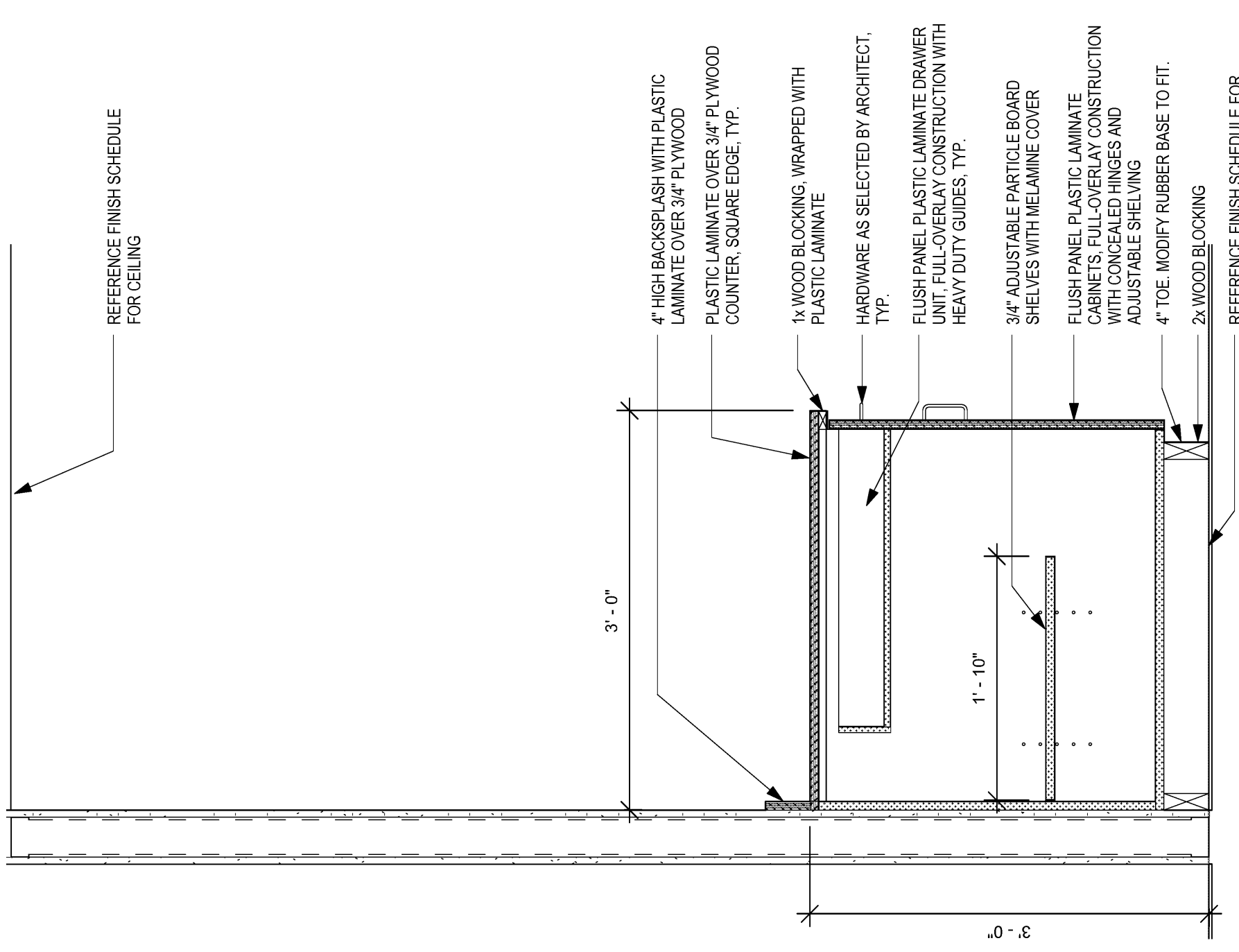
Copyright © 2010
 ESKIEW - DUMÉZIL - RIPPLE /
 ROZAS + WARD, Joint Venture
 Date: 16 DECEMBER 2010
 V.E. 16 MAY 2010



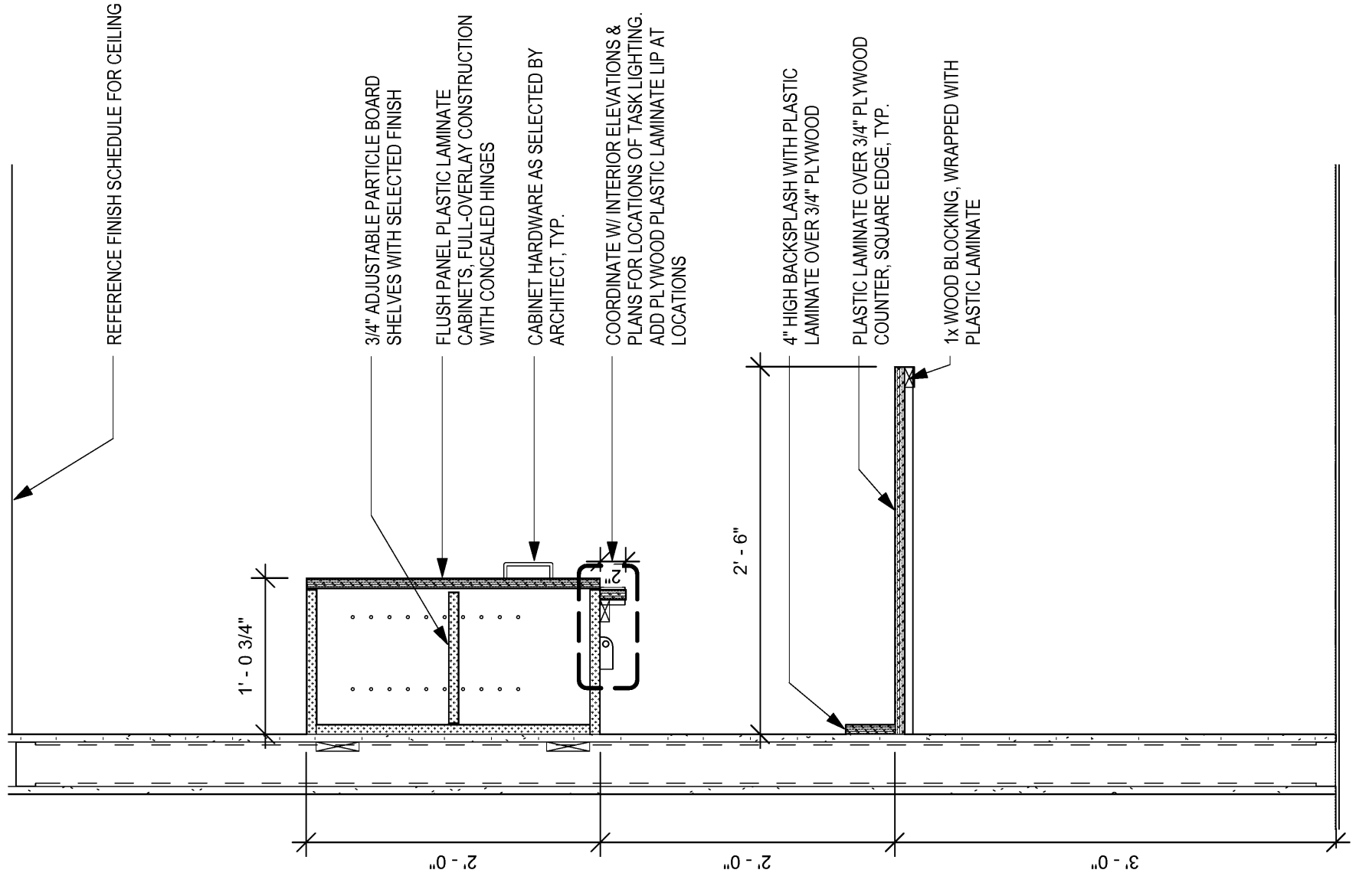
DEDUCT ALT #4 -
 LABORATORY MILLWORK
 SECTIONS

EDR No. 09023
 RWA No. 09024

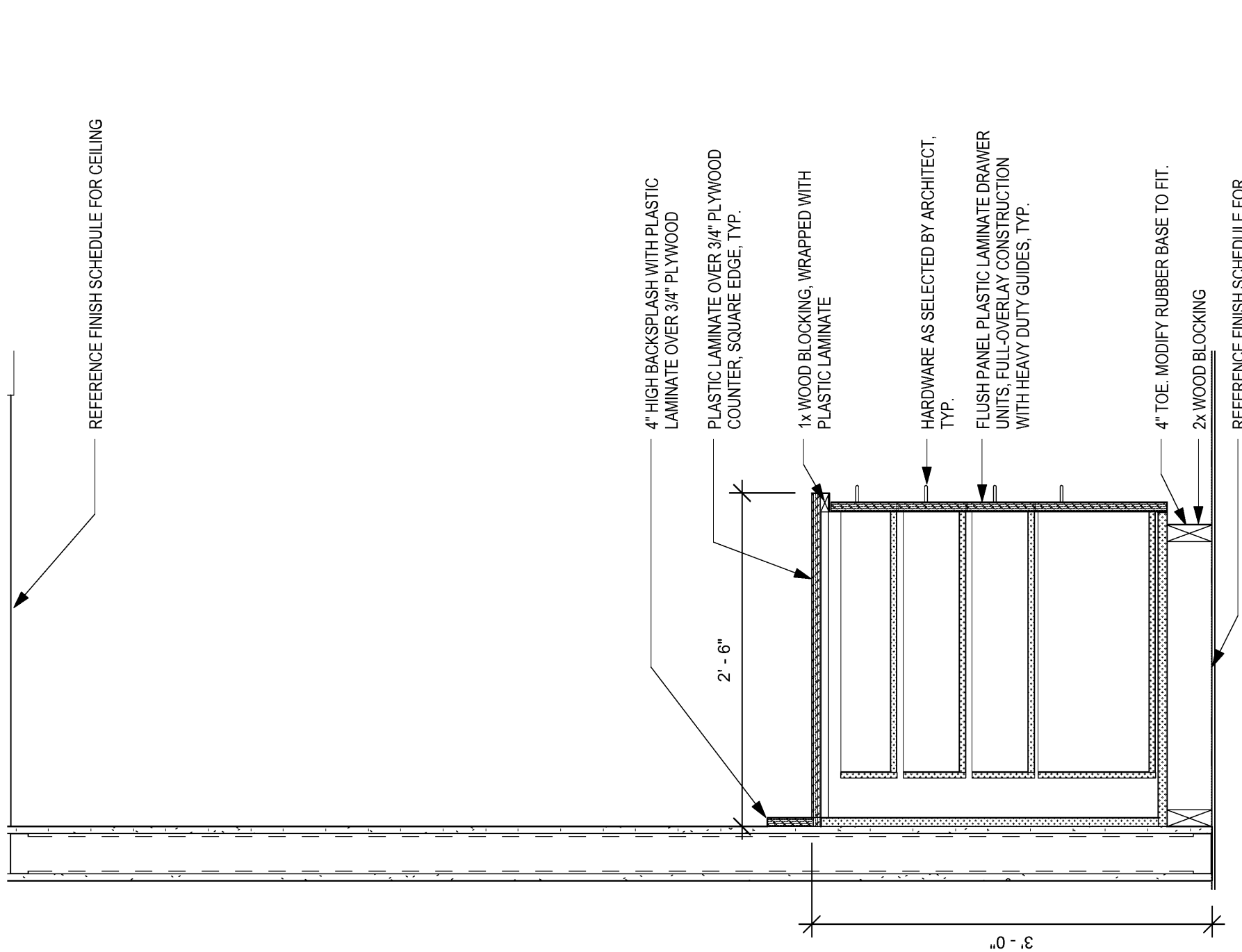
drawn: GUY
 checked: HANKS
 approved: HANKS
 sheet:



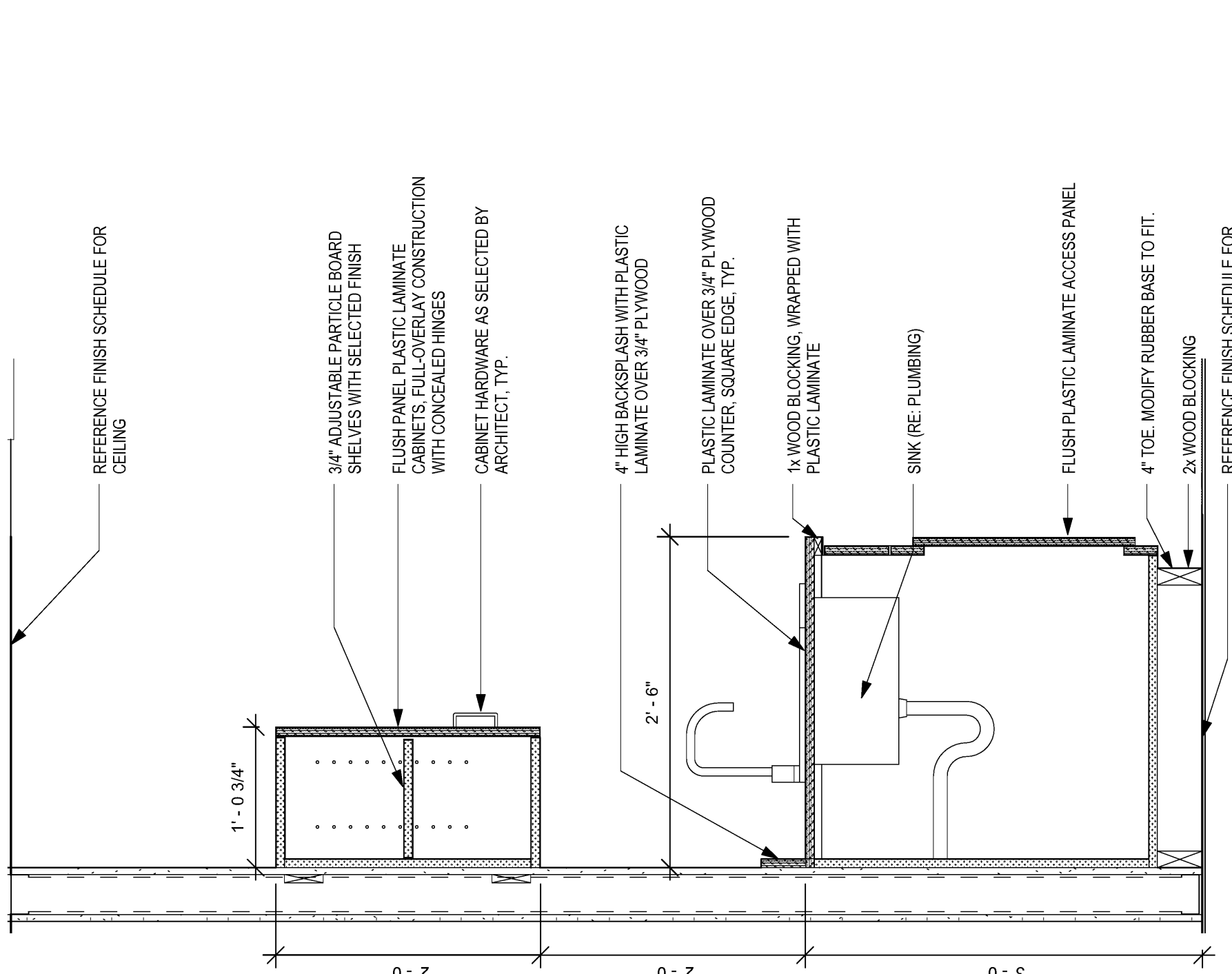
5 LAB MILLWORK 5
 DA4.1 1" = 1'-0"



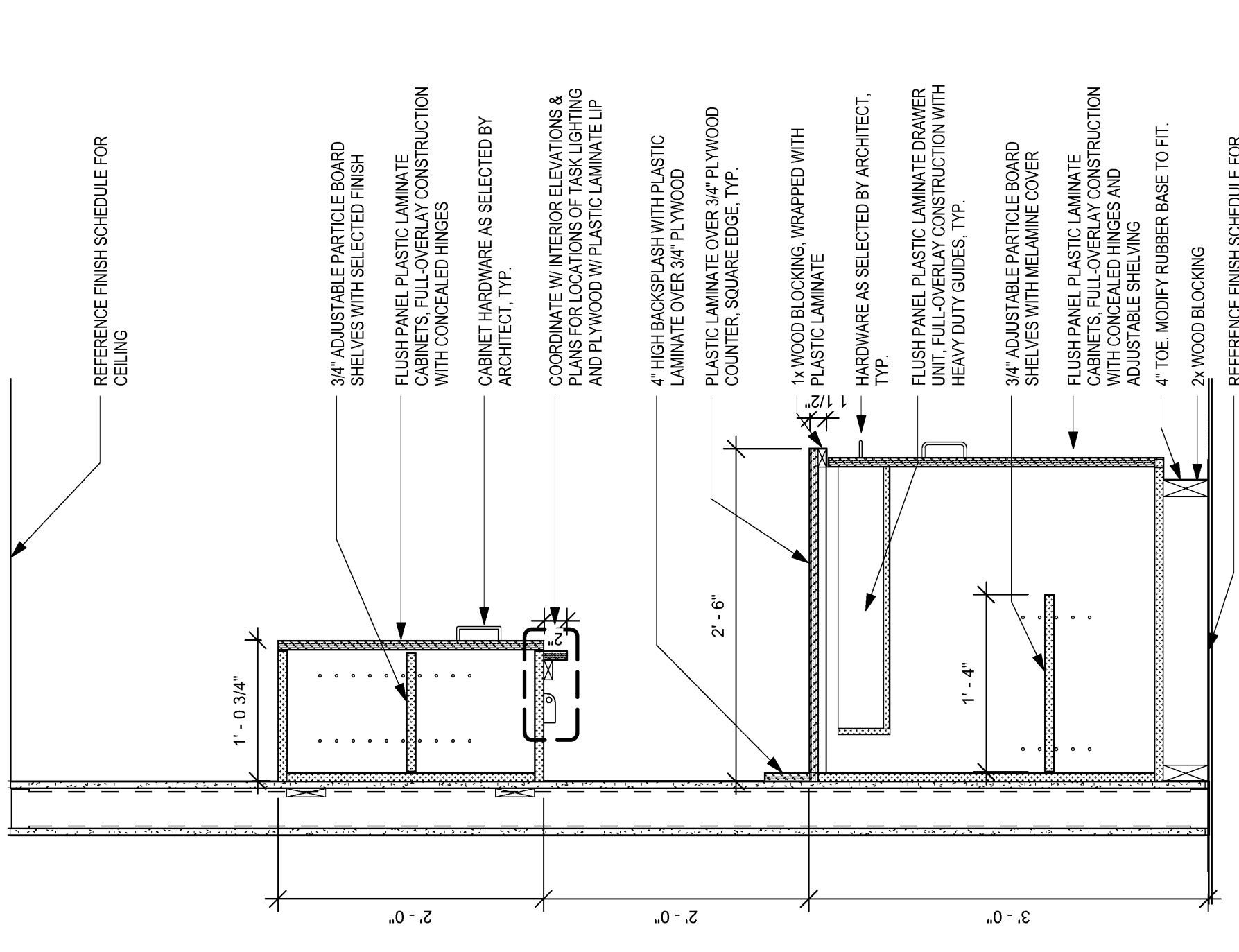
4 LAB MILLWORK 4
 DA4.1 1" = 1'-0"



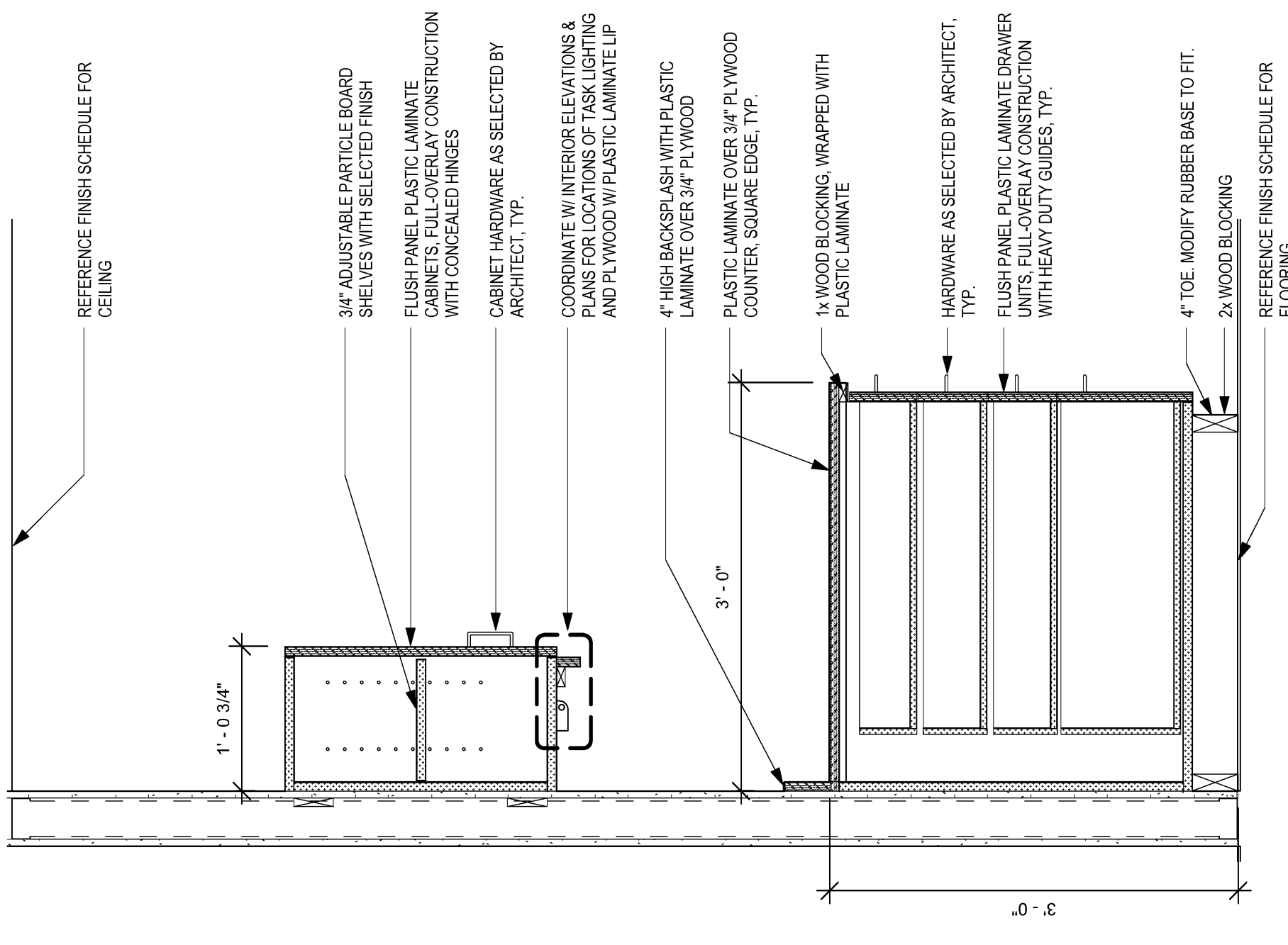
3 LAB MILLWORK 3
 DA4.1 1" = 1'-0"



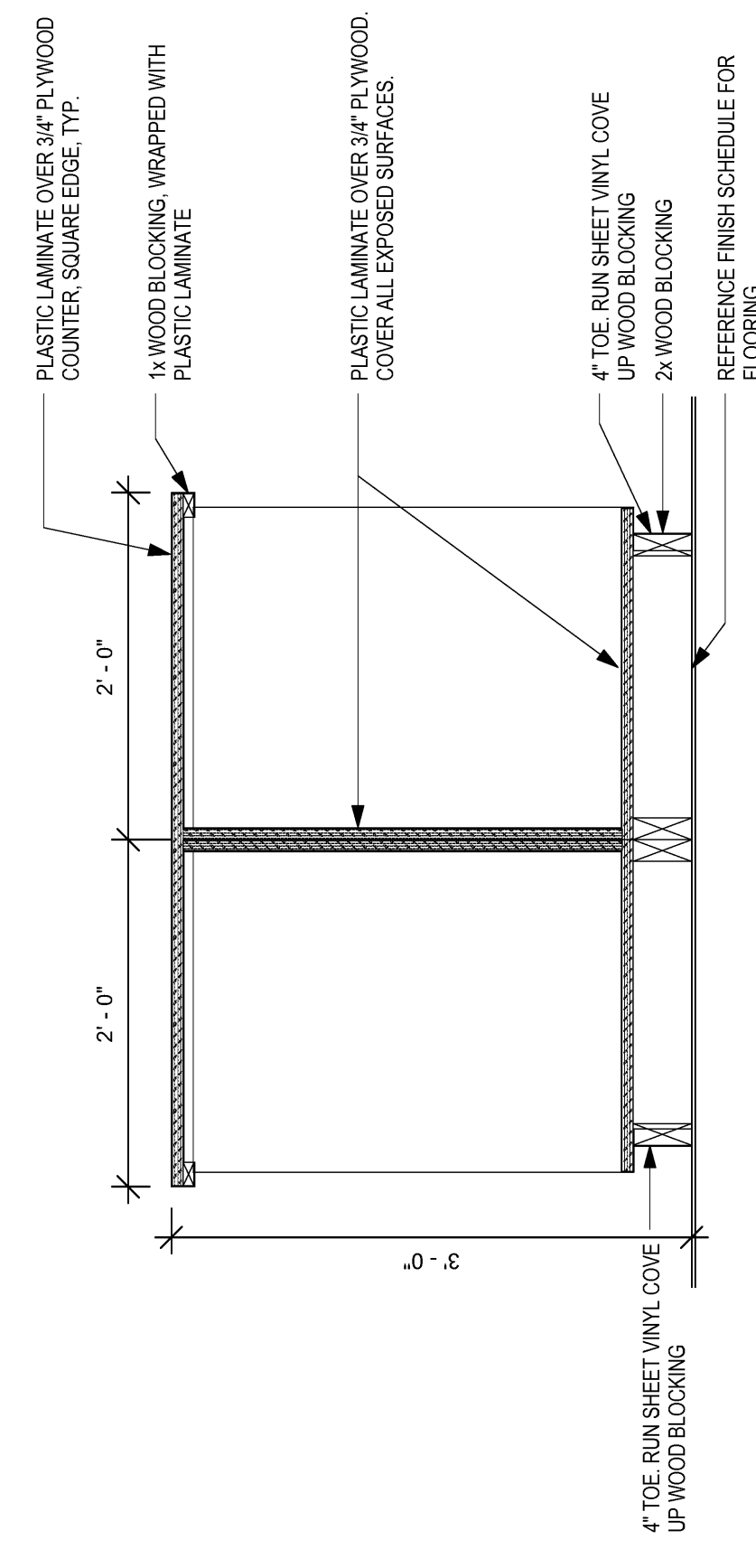
2 LAB MILLWORK 2
 DA4.1 1" = 1'-0"



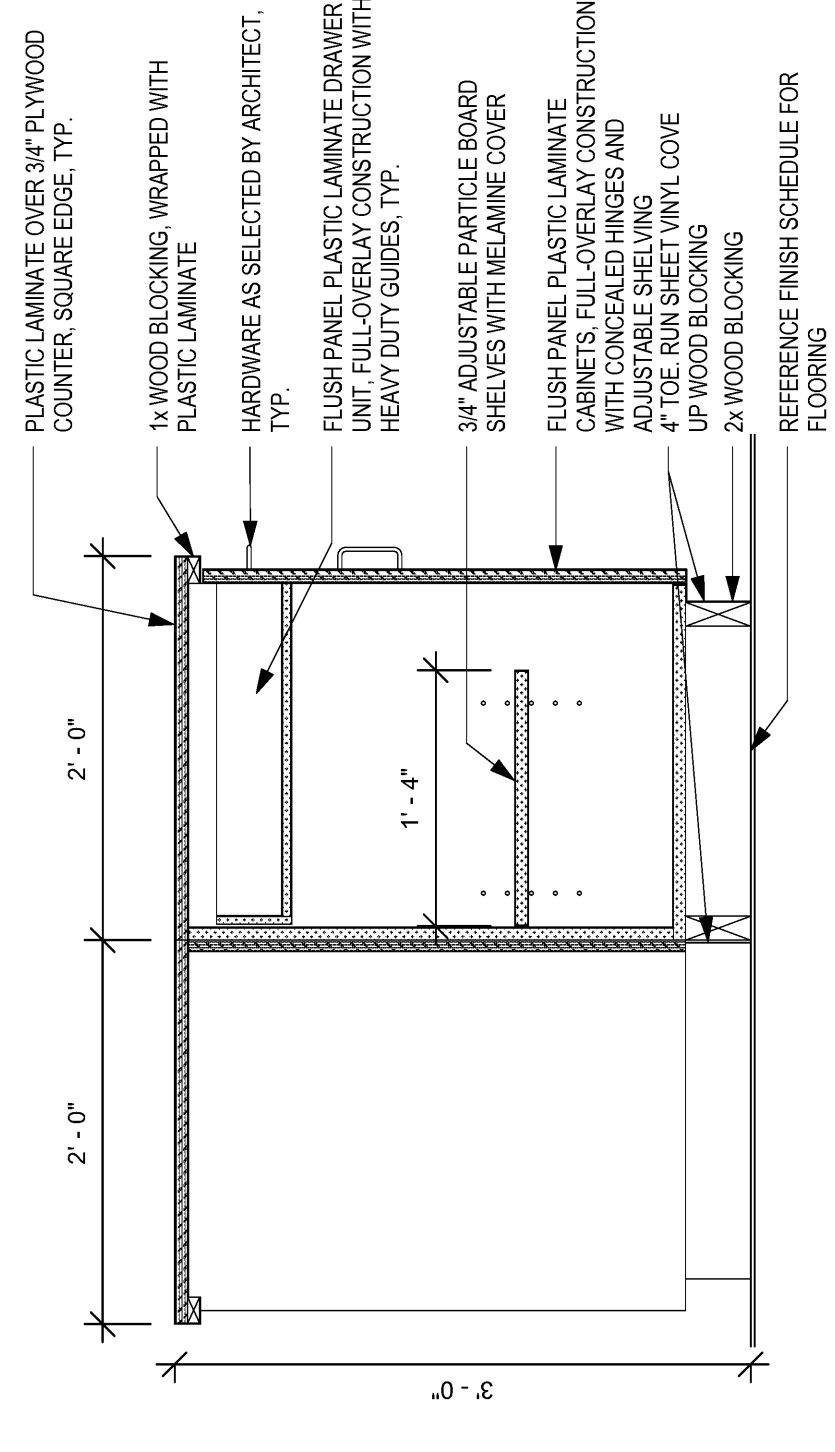
1 LAB MILLWORK 1
 DA4.1 1" = 1'-0"



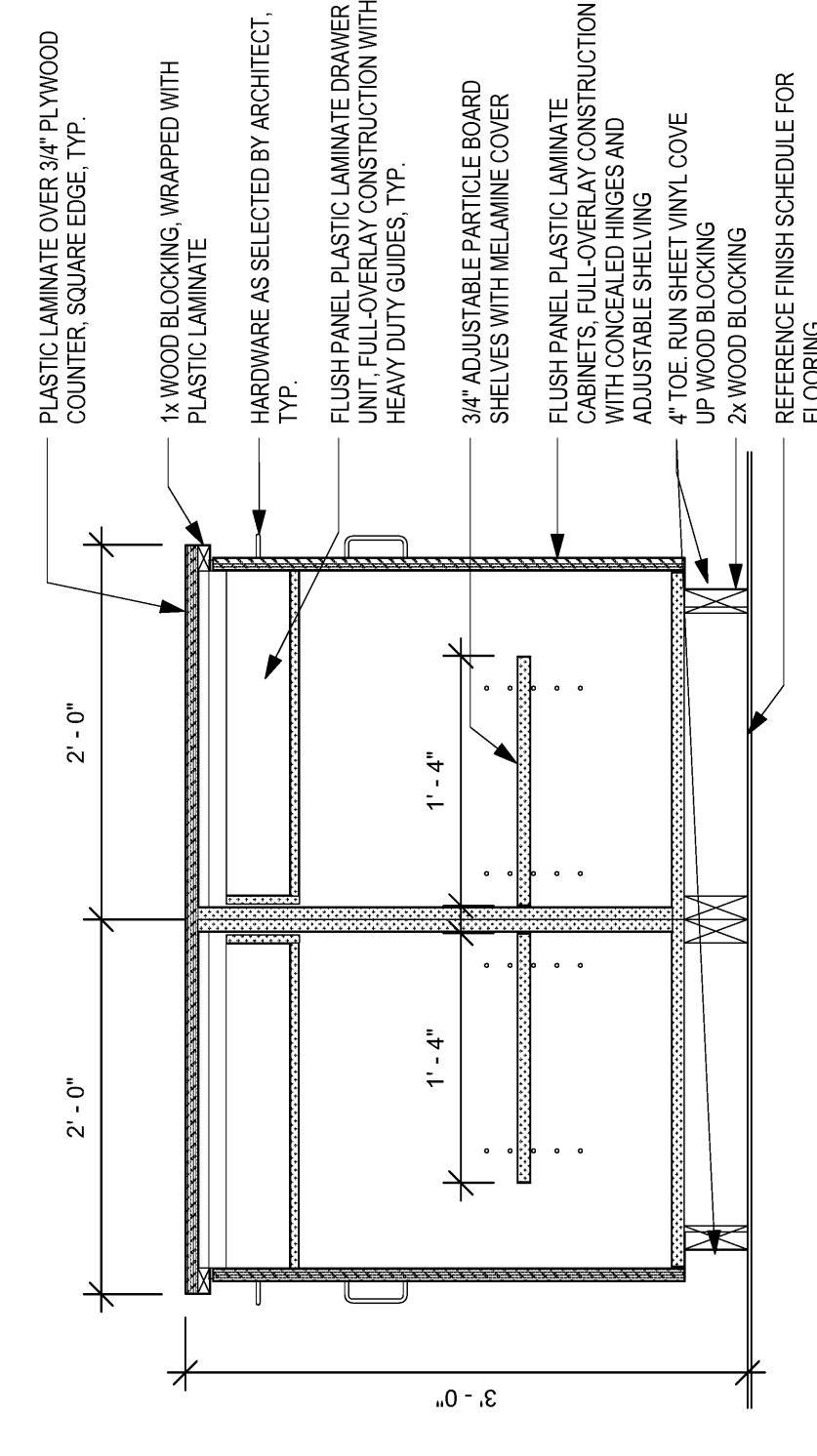
6 LAB MILLWORK 6
 DA4.1 1" = 1'-0"



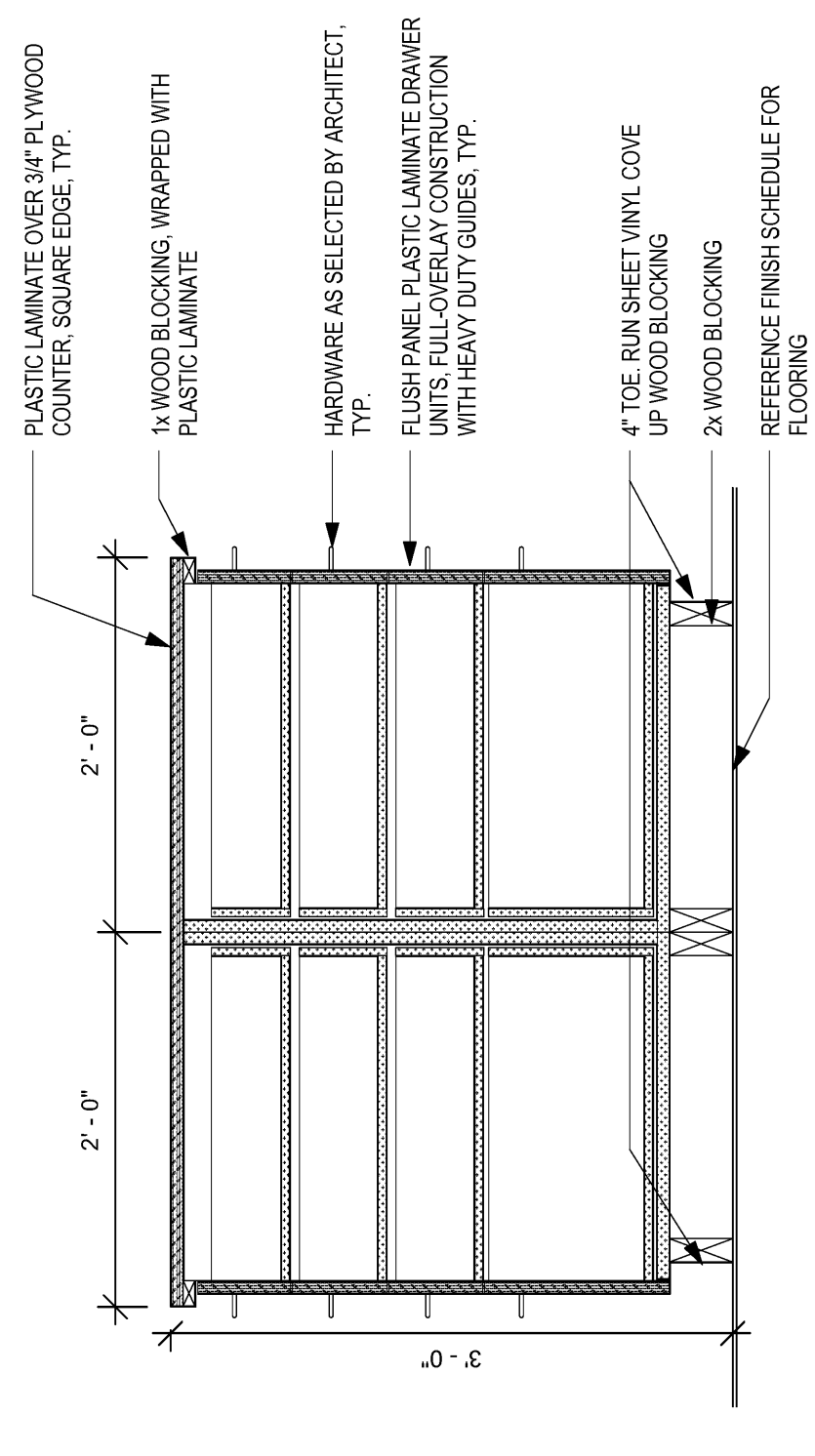
7 LAB OPEN
 DA4.1 1" = 1'-0"



9 LAB ANALYSIS
 DA4.1 1" = 1'-0"



8 LAB ISLAND
 DA4.1 1" = 1'-0"



10 LAB ANALYSIS DRAWERS
 DA4.1 1" = 1'-0"

DEDUCT ALTERNATE NOT ACCEPTED. G.C. TO PROVIDE MILLWORK AS SHOWN