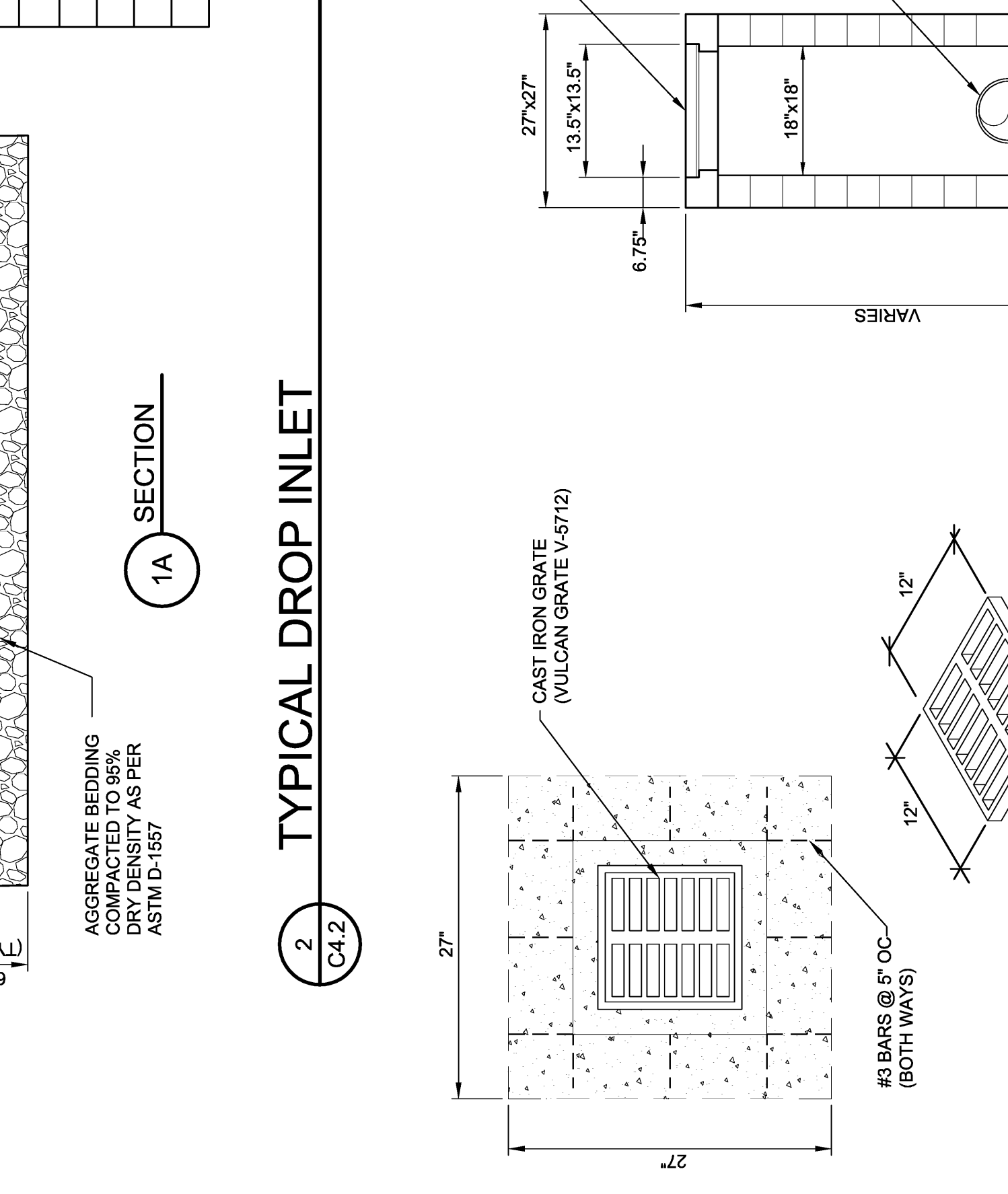
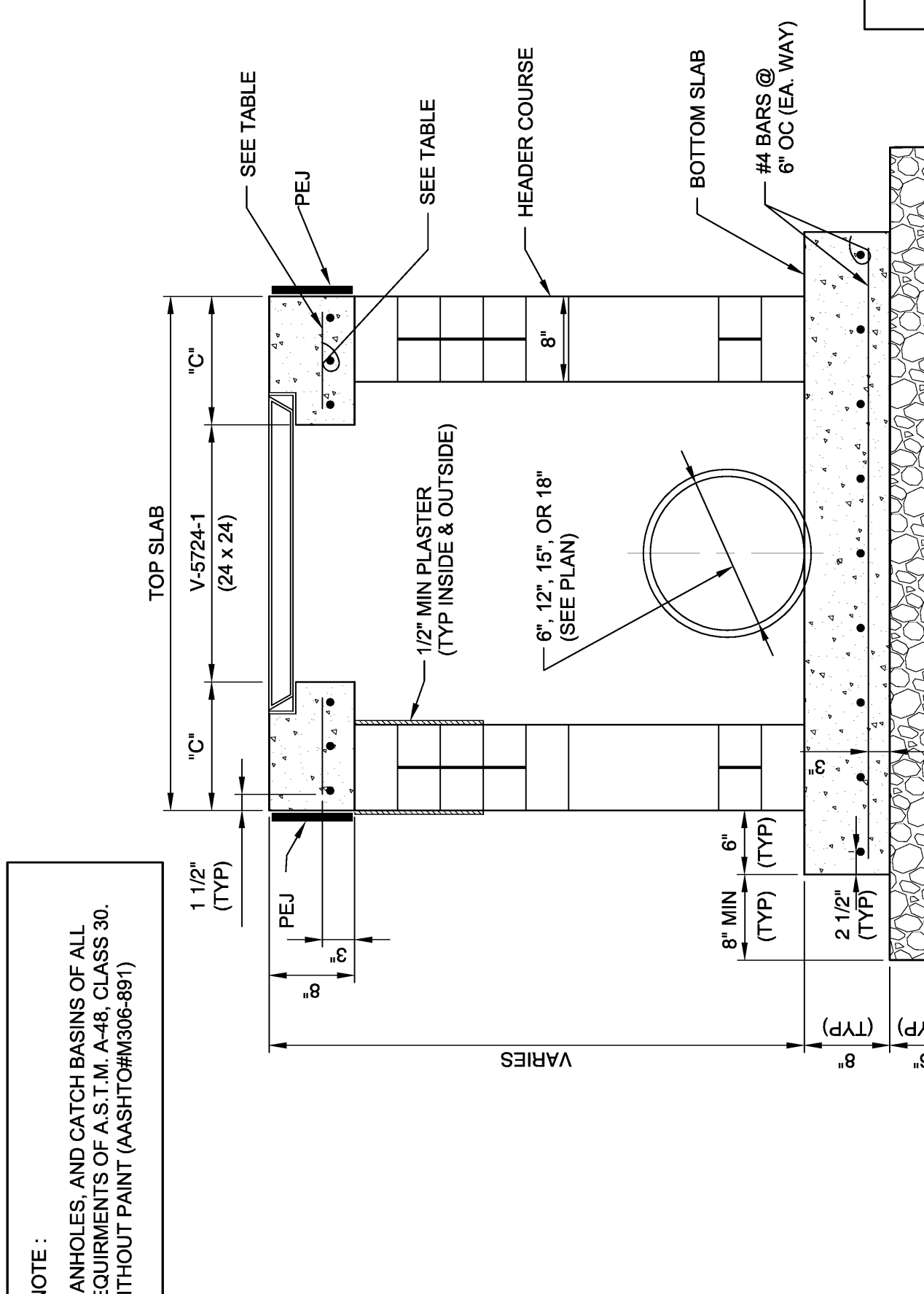
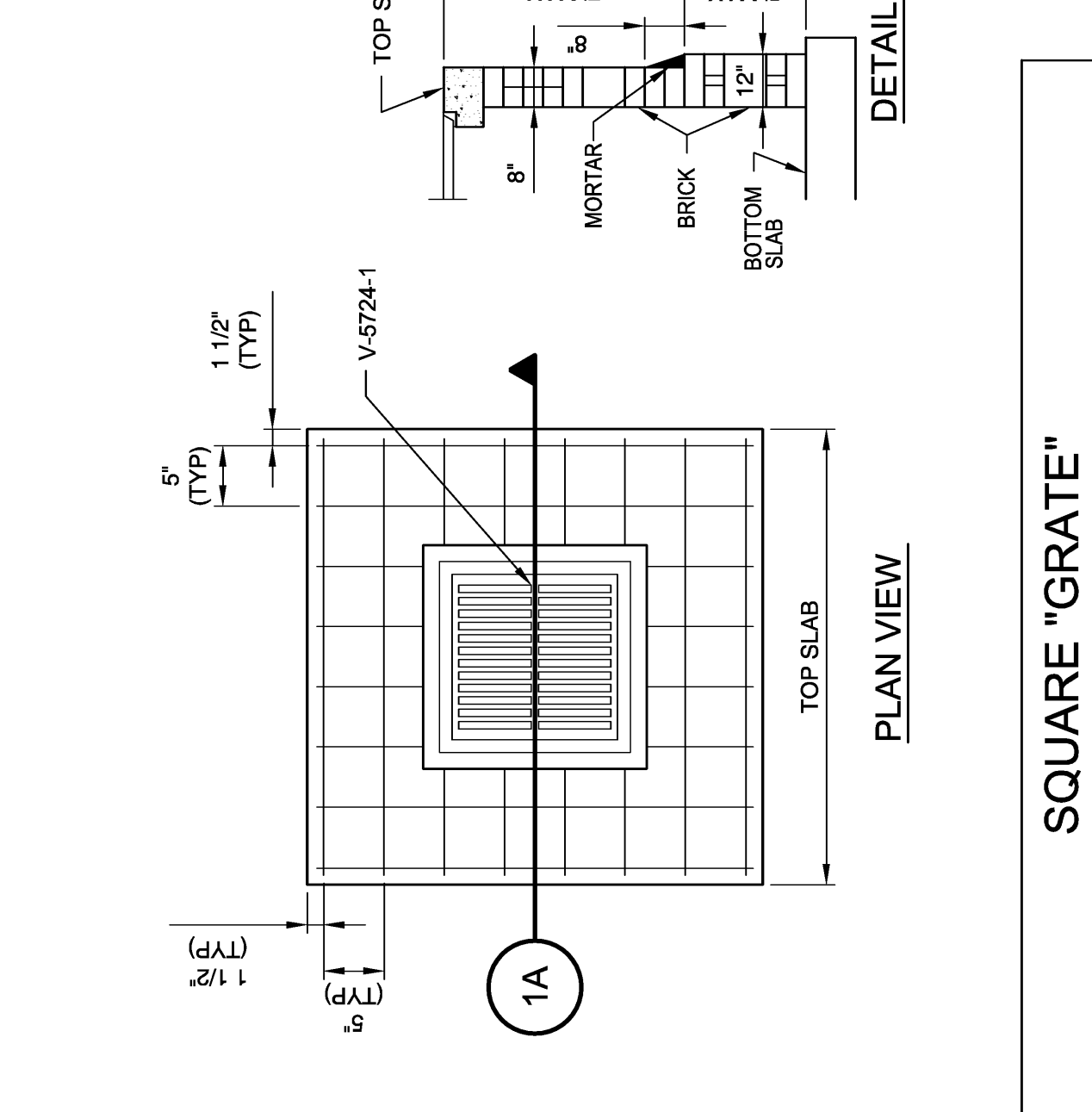


**1** TYPICAL DRAIN MANHOLE  
(REF: JEFFERSON PARISH "DRAINAGE STANDARD  
DETAILS", SHT 1 OF 3)

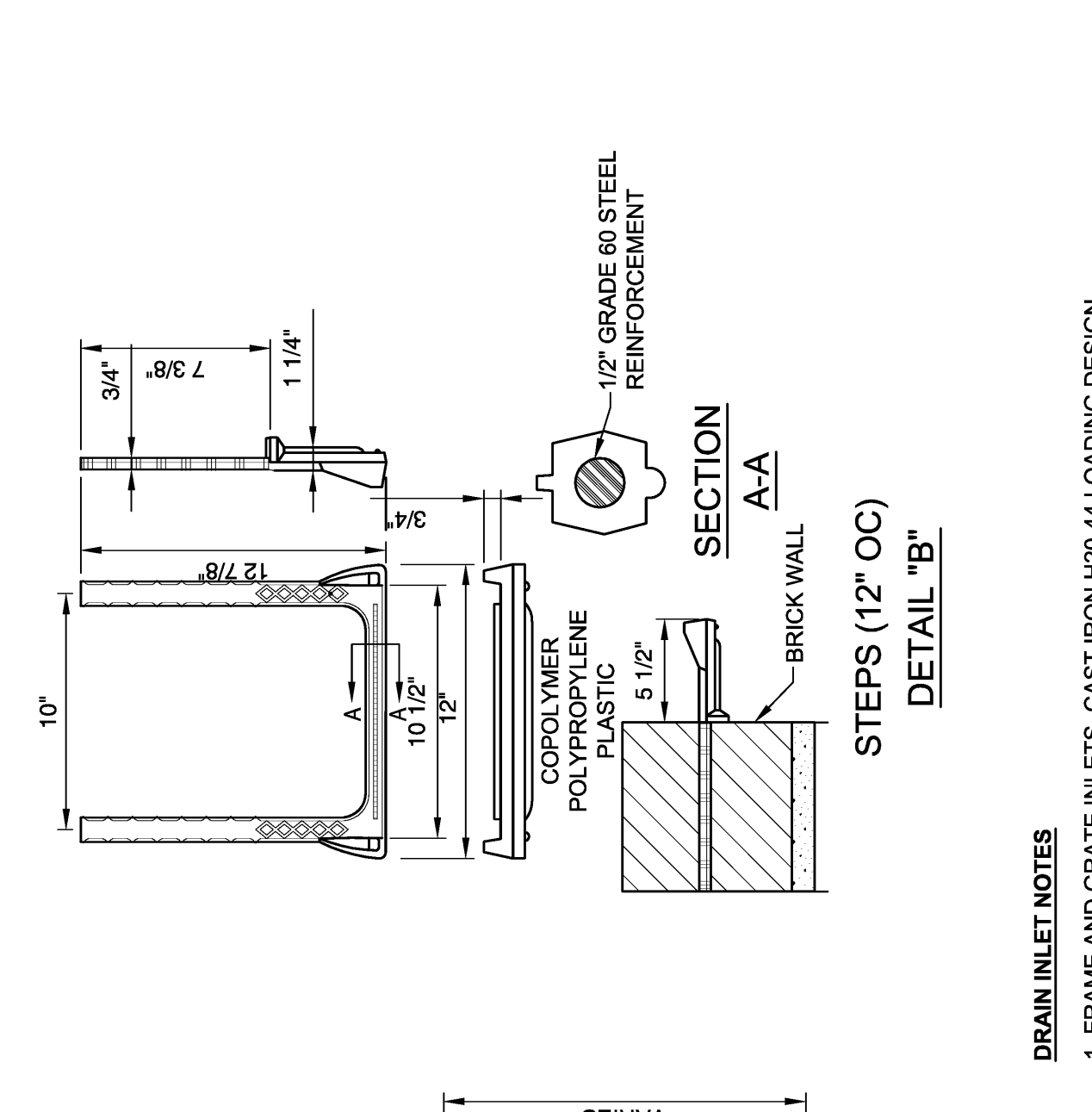


**2** TYPICAL DROP INLET



PIPE SIZE	TOP SLAB	BOTTOM SLAB	"C"
12" DIA	3'-2" x 3'-2"	4'-2" x 4'-2"	7' ( #5 BARS @ 5' e.w.)
15" DIA	3'-4" x 3'-4"	4'-4" x 4'-4"	8' ( #5 BARS @ 5' e.w.)
18" DIA	3'-6" x 3'-6"	4'-6" x 4'-6"	9' ( #5 BARS @ 5' e.w.)
24" DIA	4'-0" x 4'-0"	4'-6" x 4'-6"	15' ( 3 #5 BARS MIN)

**3** SQUARE "GRATE"



PIPE SIZE	TOP SLAB	BOTTOM SLAB	"C"
10" TO 12" DIA	3'-2" x 3'-3"	4'-2" x 4'-3"	7' ( #6 BARS @ 5' e.w.)

**4** RECTANGULAR "GRATE"



**4** DROP INLET W/ 24"x30" GRATED CASTING



**3** TYPICAL YARD DRAIN



**6** TRENCH DRAIN - 6" POLYDRAIN TRENCH BODY  
(NON-SLOPING CHANNEL)



**5** SPECIAL DROP INLET BOX  
(REF: JEFFERSON PARISH "DRAINAGE STANDARD  
DETAILS", SHT 3 OF 3)



**7** TYPICAL DRAIN CLEANOUT



**8** PVC PIPE DRAIN LINE BEDDING DETAIL  
(REF: JEFFERSON PARISH "DRAINAGE  
STANDARD DETAILS", SHT 2 OF 3)