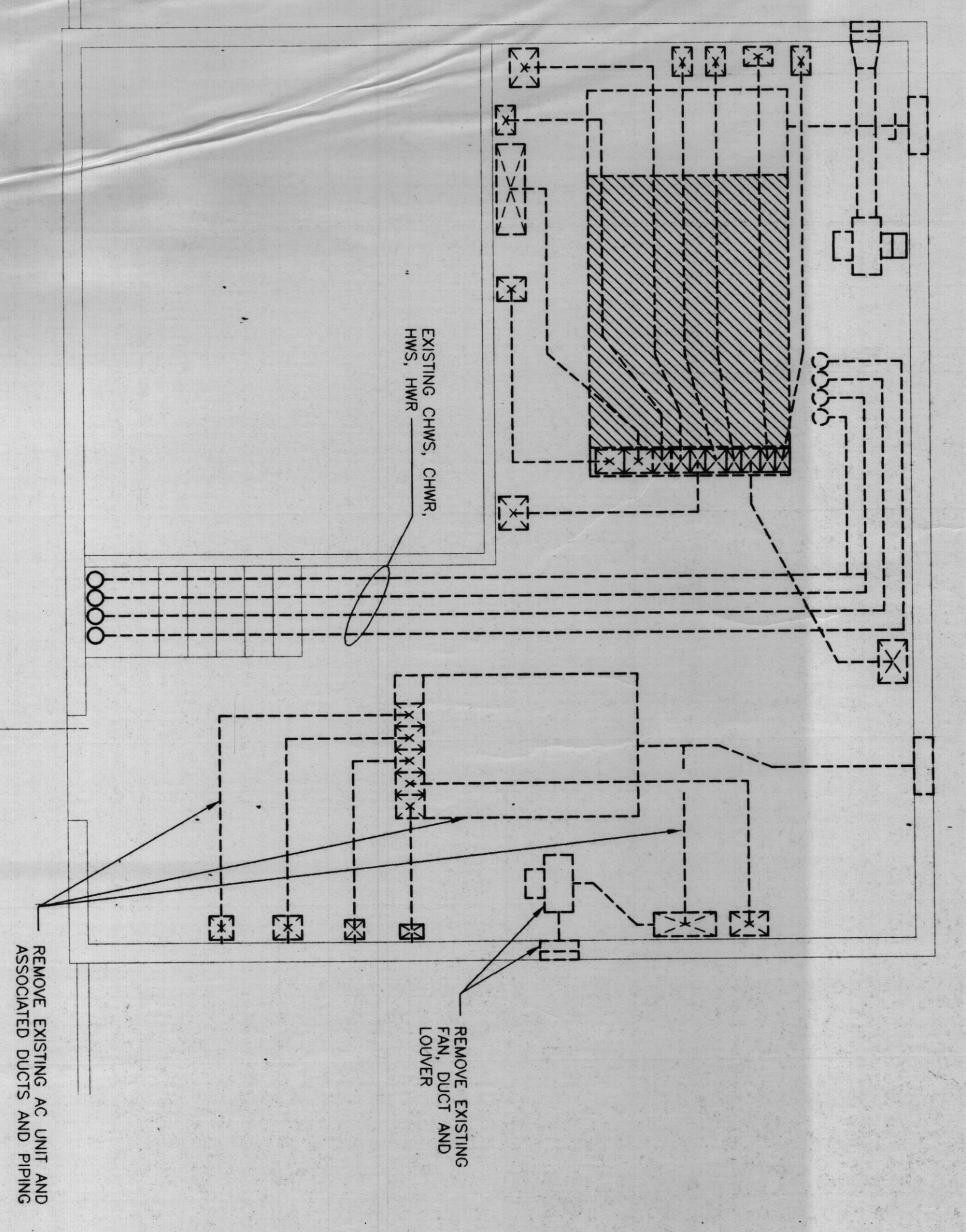
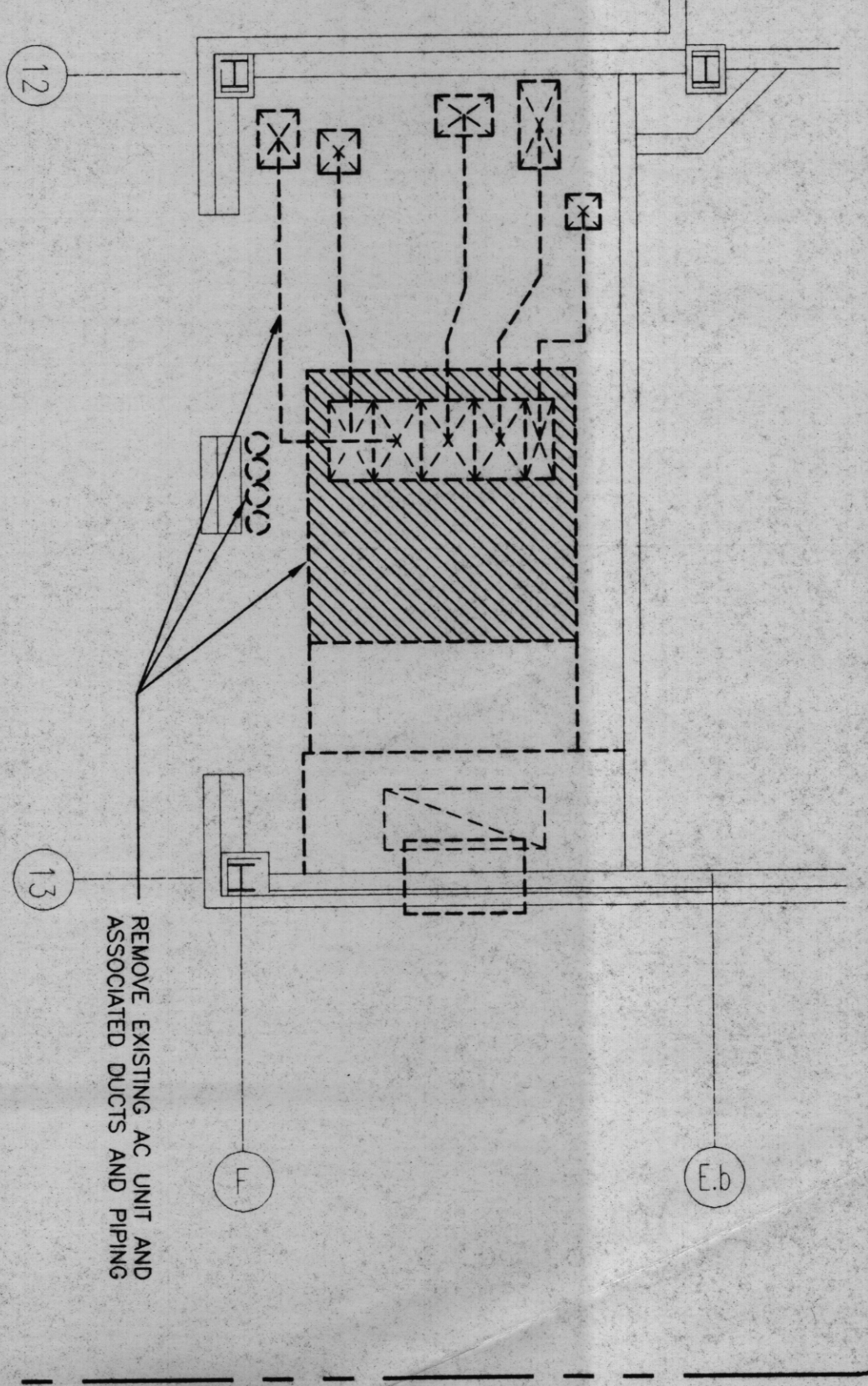


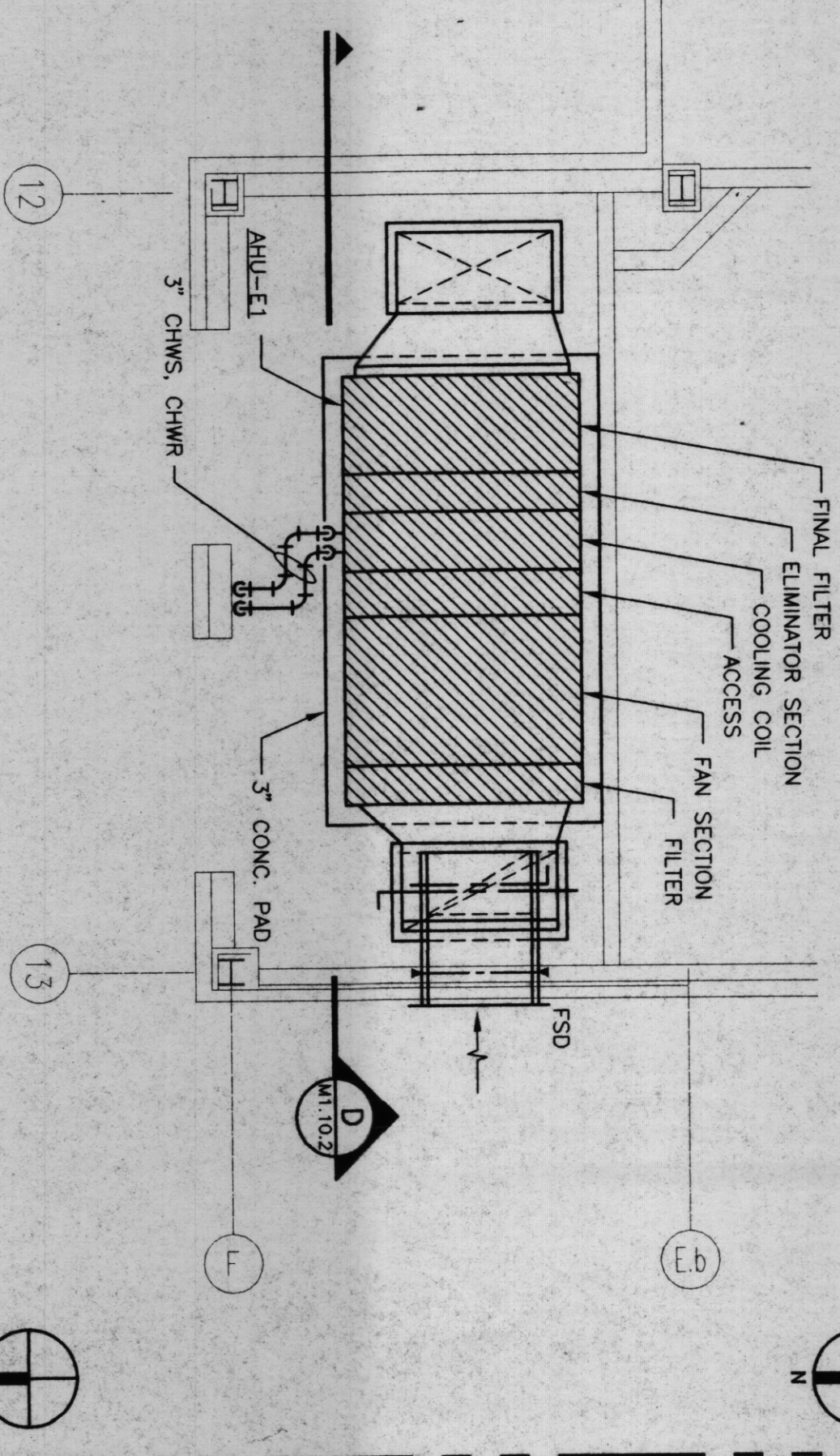
1 MECHANICAL EQUIPMENT ROOM - EXISTING AC UNITS NO. S-9 & S-9A  
1/4" = 1'-0"



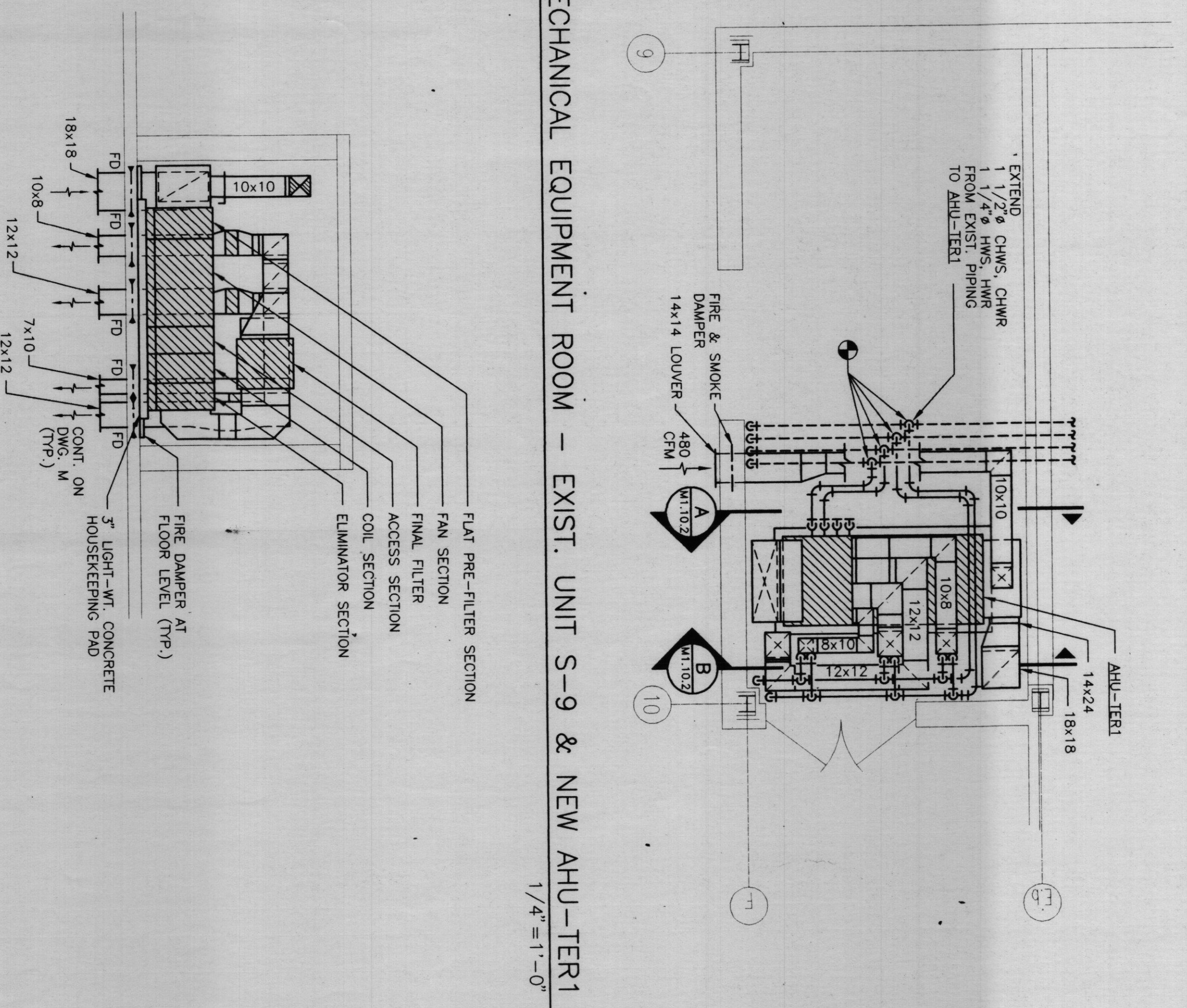
2 MECHANICAL EQUIPMENT ROOM - EXISTING AC UNITS NO. S-1 & S-2  
1/4" = 1'-0"



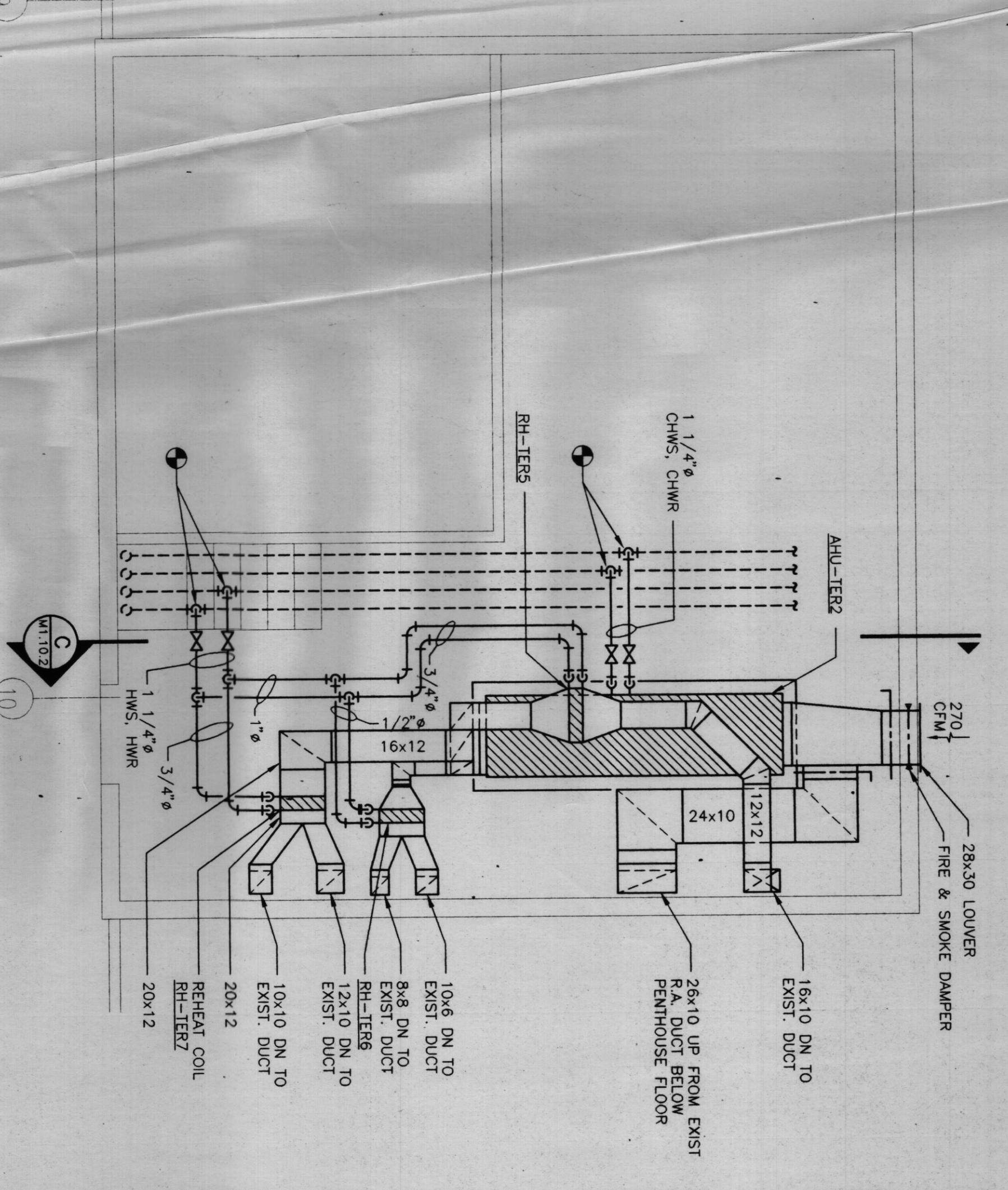
3 MECHANICAL EQUIPMENT ROOM - EXISTING AC UNIT NO. S-11  
1/4" = 1'-0"



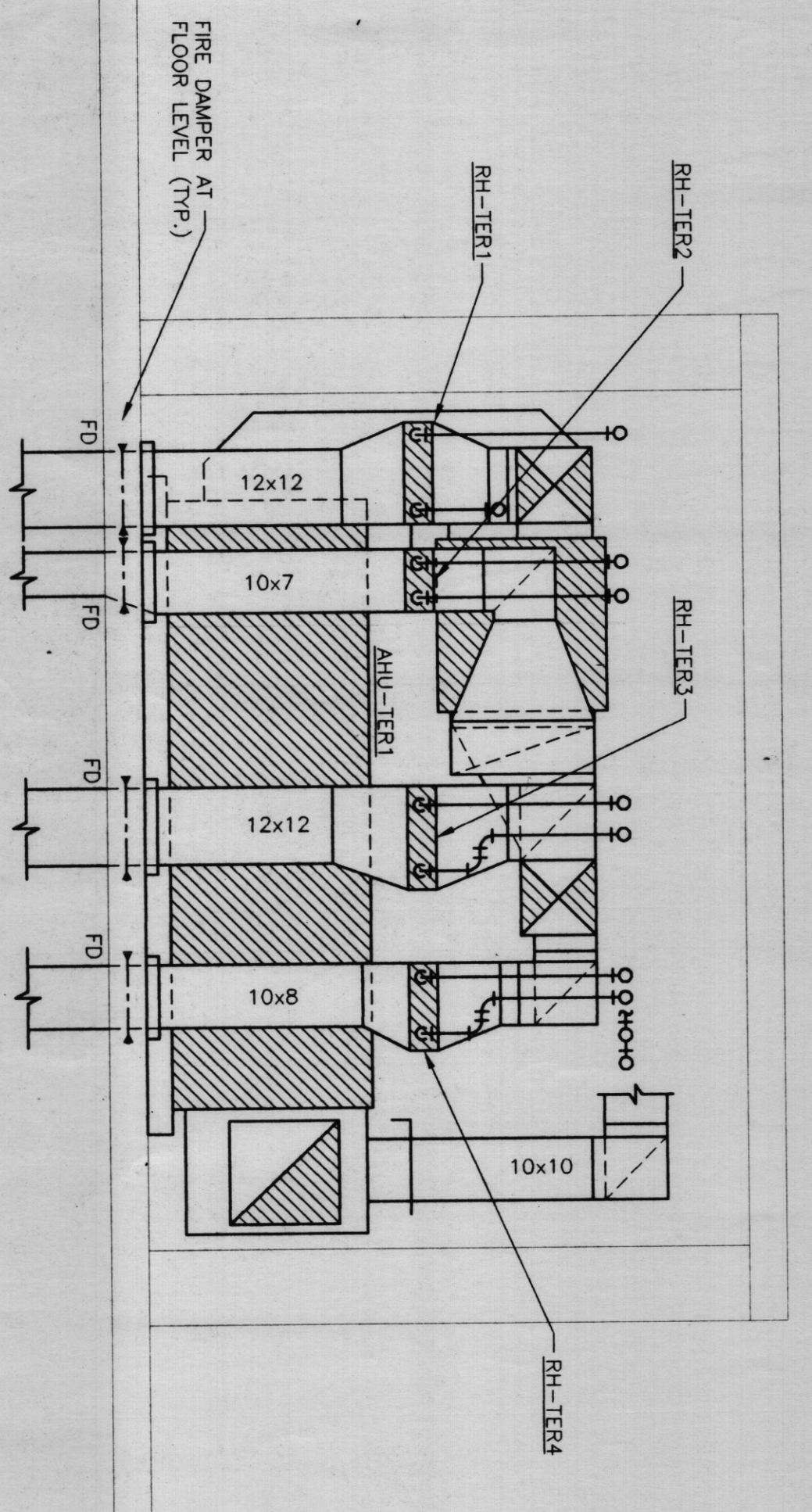
6 REVISED MECH. EQUIPMENT ROOM - NEW AC UNIT AHU-E1  
1/4" = 1'-0"



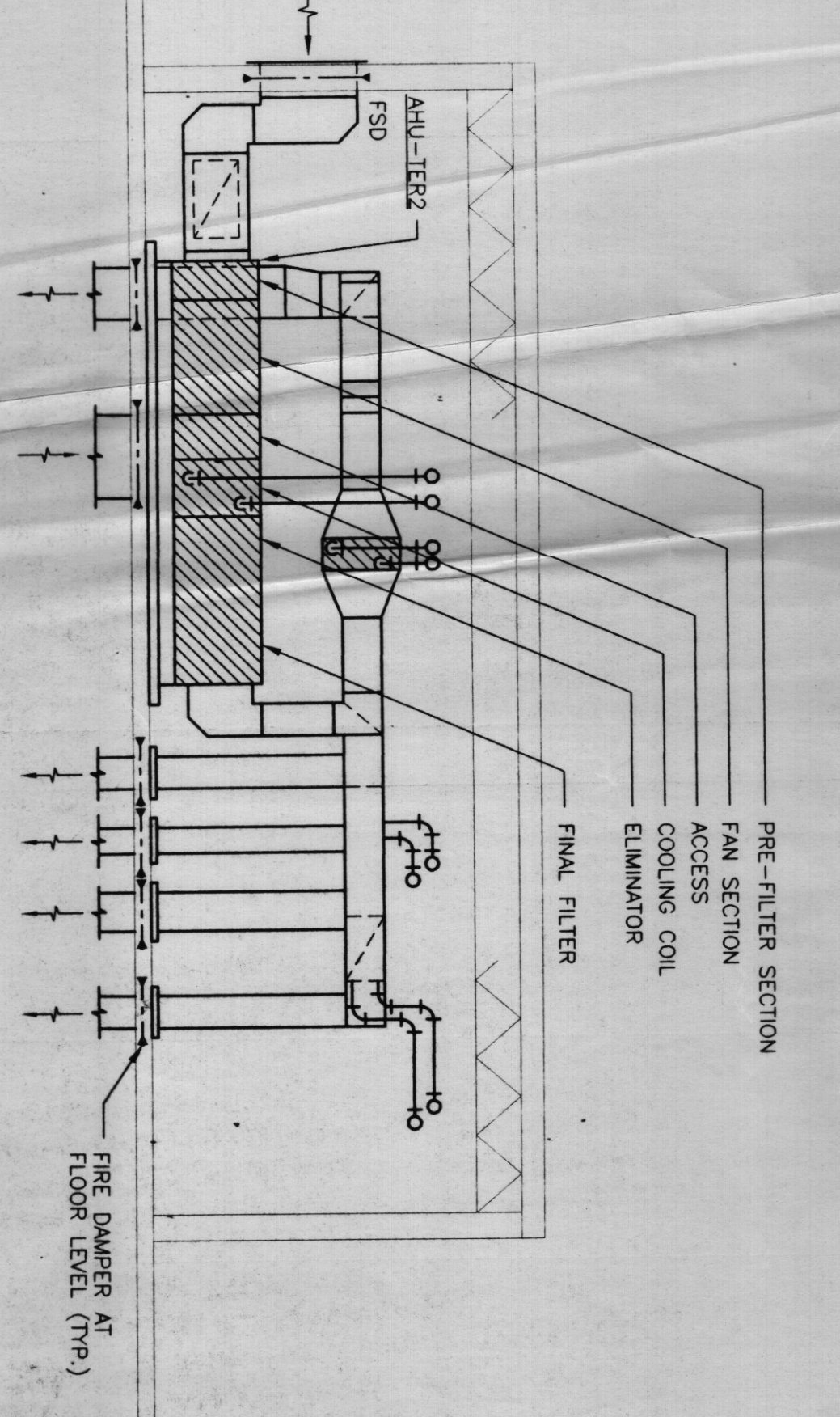
4 REVISED MECHANICAL EQUIPMENT ROOM - EXIST. UNIT S-9 & NEW AHU-TER1  
1/4" = 1'-0"



5 REVISED MECHANICAL EQUIPMENT ROOM - EXIST. AC UNIT NO. S-1 & NEW UNIT AHU-TER2  
1/4" = 1'-0"



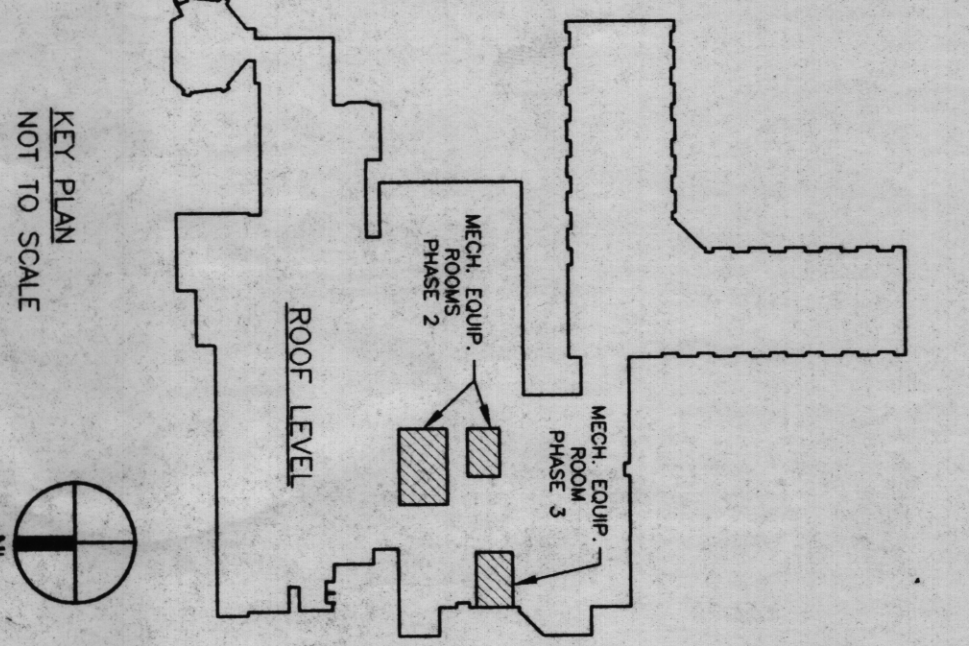
B REVISED MECHANICAL EQUIPMENT ROOM - SECTION B  
1/2" = 1'-0"



C REVISED MECHANICAL EQUIPMENT ROOM - SECTION B  
1/4" = 1'-0"

D REVISED MECHANICAL ROOM - SECTION D  
1/4" = 1'-0"

- GENERAL NOTES:**
- FOR LOCATION OF PENETROUS, SEE DRAWINGS M1.9.5 AND M1.9.5.
  - DRAWINGS ARE NOT INTENDED TO BE SCALED. ALL LOCATIONS SHOWN ARE APPROXIMATE.
  - DURING REQUIRED INTERFERENCES OF SYSTEMS, SERVICE REQUESTS FOR SERVICE INTERFERENCE IS SUBMITTED AND APPROVED AND NOTICE TO PROCEED, MATERIALS, NUMBER PRE-APPROVED NEW PIPE ASSEMBLIES, TOOLS AND EQUIPMENT LISTED.
  - EQUIPMENT LISTED TO MINIMIZE THE LENGTH OF EACH EQUIPMENT LISTED.
  - CONTRACTOR SHALL HAVE ADEQUATE SUPERVISION, LABORER AND MATERIALS ON HAND TO MAINTAIN MODIFICATION WORK AND MATERIALS ON HAND TO MAINTAIN MODIFICATION WORK IN SERVICE IF AN EMERGENCY SITUATION OCCURS.
  - HOSPITAL TO RESERVE RIGHT-OF-FIRST REFUSAL FOR ALL DEMOLITION MATERIALS.
  - CONTRACTOR SHALL VISIT SITE PRIOR TO SUBMITTING BIDS.
  - CONTRACTOR SHALL VERIFY THE CONDITIONS OVER WHICH WORK WILL BE PERFORMED.
  - LOCATION OF ALL EQUIPMENT, PIPING, DUCTWORK, CONTROLS, ETC. IS BASED ON BEST AVAILABLE SOURCES. CONTRACTOR EQUIPMENT, PIPING AND DUCTWORK, PRIOR TO COMMENCING ANY NETWORK.
  - FOR LEGEND AND ABBREVIATIONS SEE DRAWING M2.1.



SCOPE OF WORK LIMITS PHASE 2

SCOPE OF WORK LIMITS PHASE 3

KEY PLAN NOT TO SCALE

WARREN COXWELL & ASSOCIATES, INC.  
ARCHITECTS  
100 PONDHURST STREET  
NEW ORLEANS, LA 70112  
PHONE NO. 584-9412 FAX NO. 584-9413

SHEET  
M1.10.2  
OF SHEETS



DATE: NOVEMBER 21, 1994

ALL RIGHTS RESERVED  
THIS DRAWING IS THE PROPERTY OF WARREN COXWELL & ASSOCIATES, INC. IT IS TO BE USED ONLY FOR THE PROJECT AND LOCATION SPECIFICALLY IDENTIFIED HEREON. IT IS NOT TO BE REPRODUCED, COPIED, OR TRANSMITTED IN ANY FORM OR BY ANY MEANS, ELECTRONIC OR MECHANICAL, WITHOUT THE WRITTEN PERMISSION OF WARREN COXWELL & ASSOCIATES, INC.

COMPANY & SOCIETY  
WARREN COXWELL & ASSOCIATES, INC.  
NO. 800

JOB NUMBER  
9275-94M

DRAWN BY  
MHA

CHECKED BY  
SPS

FULL RELEASE  
THIS DRAWING IS THE PROPERTY OF WARREN COXWELL & ASSOCIATES, INC. IT IS TO BE USED ONLY FOR THE PROJECT AND LOCATION SPECIFICALLY IDENTIFIED HEREON. IT IS NOT TO BE REPRODUCED, COPIED, OR TRANSMITTED IN ANY FORM OR BY ANY MEANS, ELECTRONIC OR MECHANICAL, WITHOUT THE WRITTEN PERMISSION OF WARREN COXWELL & ASSOCIATES, INC.

PROGRESS FINIT  
NOT FOR CONSTRUCTION

PARTIAL RELEASE  
ONLY TO EXTENT NOTED HEREON. PARTS OF THIS DRAWING ARE THE PROPERTY OF WARREN COXWELL & ASSOCIATES, INC.

REVISIONS

DATE	BY	DESCRIPTION

ISSUE DATES

DATE	BY	DESCRIPTION

**JOHN T. CAMPO & ASSOCIATES, INC.**  
ARCHITECTS • PLANNERS  
THE LYNCH CENTER, SUITE 2010 300 PONDHURST STREET  
NEW ORLEANS, LA 70119 15041 568-9912

LIFESAFETY PHASE I C/LAB/ER RENOVATIONS  
SLIDELL MEMORIAL HOSPITAL  
1001 GAUSE BLVD., SLIDELL, LA