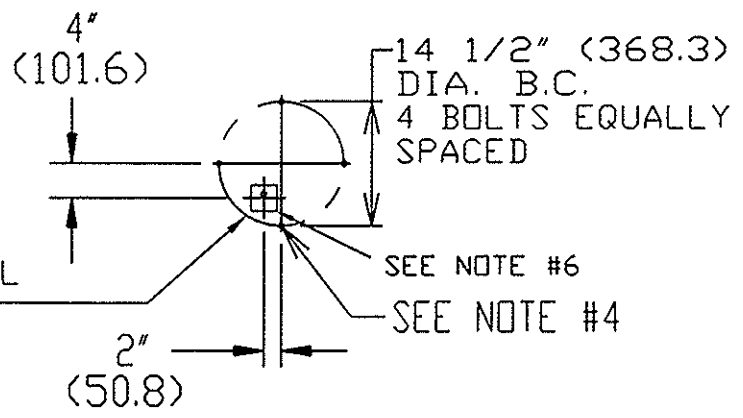
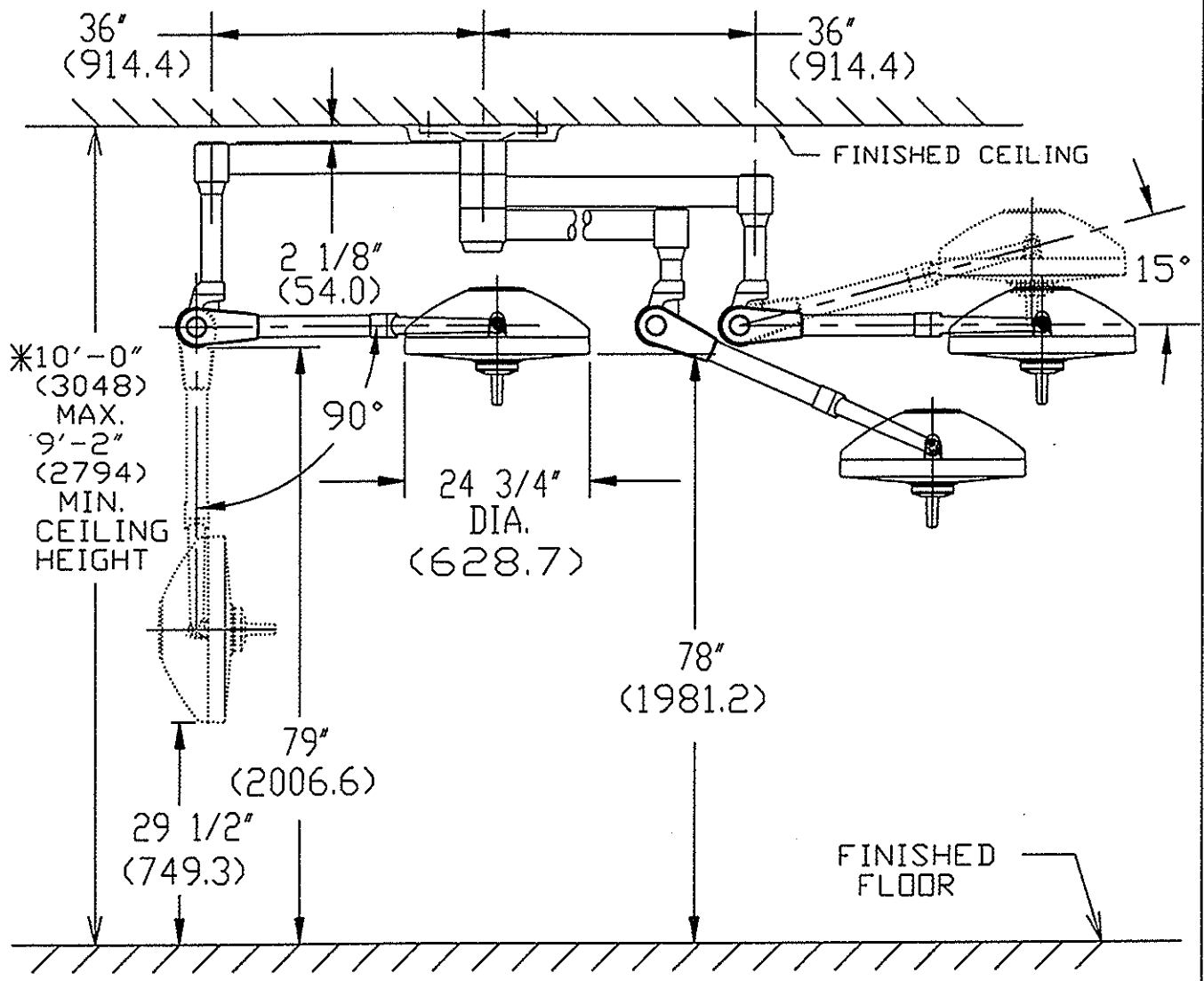


CAD DWG
 ECA #024006
 REV. NO. 6
 DWG. NO. 150824-839
 DRAWN BY LBS
 CHECKED BY
 DATE 01/14/02

VIEW FROM FLOOR
OF EXTENSION
BOLTS

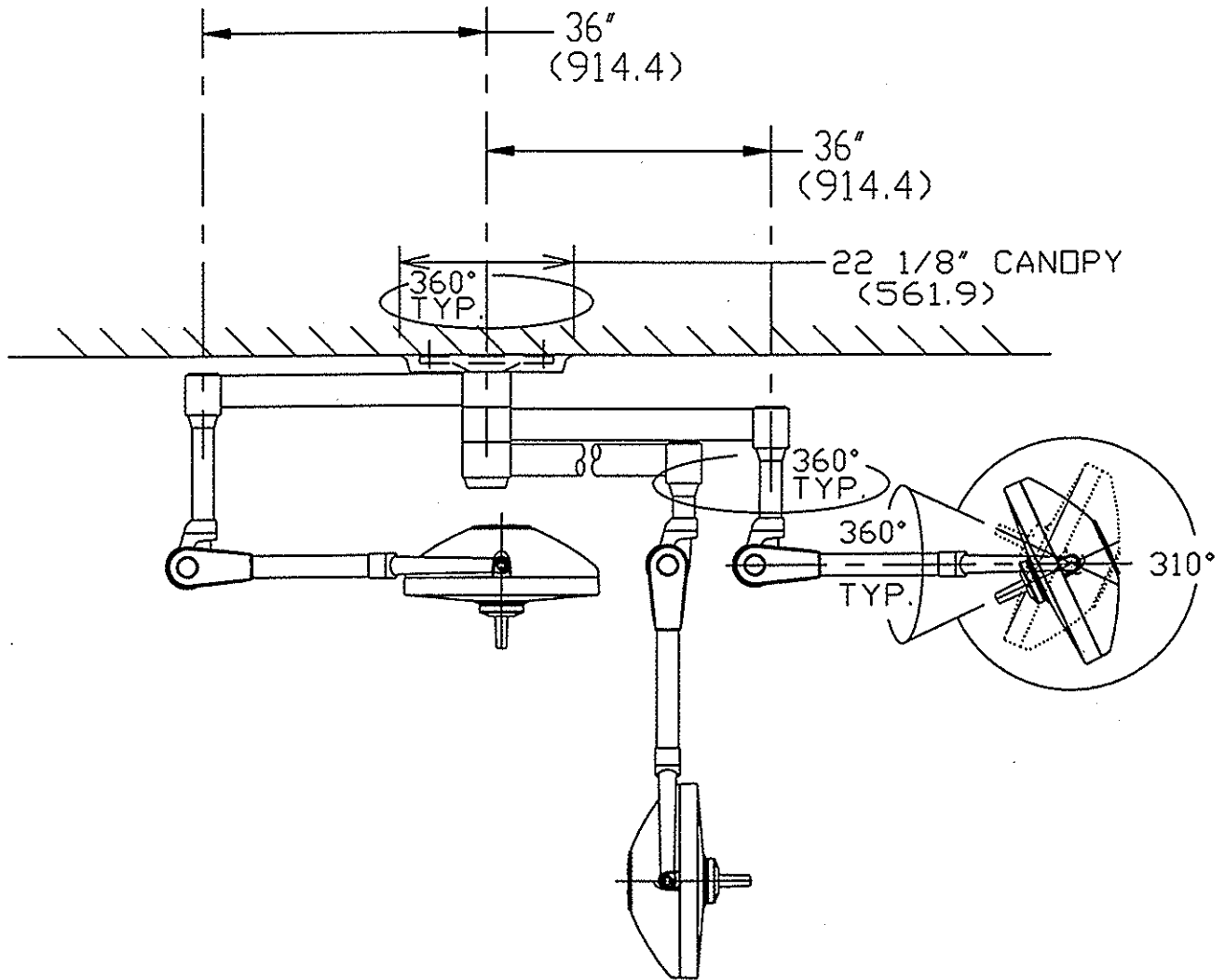


SEE PAGE 5 FOR ADDITIONAL
BOLT CONFIGURATION



NOTE:
(*) FINISHED CEILING HEIGHTS EXCEEDING 10'-0" (3048) BUT NO GREATER THAN 12'-0" (3657.6) REQUIRE A SPECIAL SALES ORDER REQUEST.

ALL DIMENSIONS ARE IN INCHES		EQUIPMENT DRAWING NO.	
ALSO REFER TO GENERAL NOTES APPLICABLE TO EQUIPMENT DRAWINGS		150824-839	SH.1 OF 5
STERIS 	STERIS Corporation Mentor, OH	CENTRA 360 SQ240 & QUANTUM SERIES SURGICAL LIGHT-CENTRAL MOUNTED FINISHED CEILING INSTALLATION 3-36" ARM	
		ITEM _____ LOCATION(S) _____	



ALL DIMENSIONS ARE IN INCHES

ALSO REFER TO GENERAL NOTES
APPLICABLE TO EQUIPMENT DRAWINGS



STERIS Corporation
Mentor, OH

CENTRA 360 SQ240 & QUANTUM
SERIES SURGICAL LIGHT-
CENTRAL MOUNTED FINISHED
CEILING INSTALLATION
3-36" ARM

EQUIPMENT DRAWING NO.

150824-839

SH.2
OF 5

ITEM _____
LOCATION(S) _____

NOTES:

1. STERIS RECOMMENDS THAT THE CEILING PLATE BE MOUNTED CENTRALLY WITH RESPECT TO THE OPERATING TABLE.
2. LIGHT CONSTRUCTION PERMITS COMPLETE NONSTOP ROTATION OF ARMS AND LIGHTHEADS. FOR MINIMUM CLEARANCE, SEE SHEET 4 OF 4.
3. CEILING STRUCTURE MUST ADEQUATELY SUPPORT SURGICAL LIGHT SYSTEM WHICH:
 - A) WEIGHS 360 LBS. (163 KG) FOR THREE LIGHTS AND EXERTS A MOMENT OF UP TO 1200 LB-FT (166 M-KGS).
 - B) WHEN THE ABOVE LOADS ARE APPLIED, CEILING STRUCTURE MUST PREVENT STERIS CEILING PLATE FROM TIPPING MORE THAN 1/16" PER FOOT (5.25 MM PER METER).
4. ALLOW EXTENSION BOLTS TO EXTEND 2 1/2" \pm 1/8" (63.5 MM \pm 3.2 MM) THROUGH FINISHED CEILING. EXTENSION BOLTS TO BE 5/8-11 UNC CLASS 2B THREAD SAE GRADE 2 STEEL BOLT MATERIAL OR BETTER (NOT BY STERIS), DO NOT USE TOGGLE BOLTS.
5. LEVELING NUTS COMPENSATE FOR CEILING IRREGULARITIES (NUTS FOR METRIC INSTALLATION NOT BY STERIS).
6. OUTLET BOX (NOT BY STERIS) TO BE LOCATED IN PROXIMITY TO CEILING PLATE.
7. POWER REQUIREMENTS: STERIS VARIABLE INTENSITY CONTROL, SEE CHART BELOW FOR CORRESPONDING APPLICATION. INSTALLED IN ACCORDANCE WITH NFPA NO. 99 STANDARD WITH RESPECT TO ISOLATED POWER SYSTEMS AND ISOLATION TRANSFORMERS.
8. FIXTURE MUST BE GROUNDED. ADEQUATE GROUND MUST BE PROVIDED BY RUNNING A SEPARATE GROUND WIRE TO CEILING STRUCTURE.
9. WIRING ABOVE A HAZARDOUS AREA OR IN A NONFLAMMABLE ANESTHETIZING AREA SHALL CONFORM TO NFPA STANDARDS.
10. THIS LIGHT IS FURNISHED FOR MAXIMUM CEILING HEIGHT. FOR LOWER CEILINGS, THE ARM SUSPENSION TUBE MUST BE SHORTENED (SAW CUT) TO MAINTAIN THE 79" \pm 1/4" (2006.6 MM \pm 6.3 MM) HANGING HEIGHT. INSTRUCTIONS ARE FURNISHED WITH EACH LIGHT.
11. EXPLOSION HAZARD- DO NOT USE IN THE PRESENCE OF FLAMMABLE ANESTHETICS.
12. STERIS RECOMMENDS GENERAL ROOM ILLUMINATION IN OPERATING ROOM OF 200 FOOTCANDLES (2152 LUX).
13. STERIS ASSUMES NO RESPONSIBILITY FOR CHANGES MADE NECESSARY THROUGH FAILURE TO OBSERVE THESE INSTRUCTIONS.
14. EQUIPMENT MUST BE INSTALLED PER LOCAL CODES.

EQUIP. NO.	DESCRIPTION
129362-436	QUANTUM V.I.C. SURFACE MTD. (SGL.)
129362-437	QUANTUM V.I.C. RECESSED MTD. (SGL.)
129362-438	QUANTUM V.I.C. SURFACE MTD. (DUAL)
129362-439	QUANTUM V.I.C. RECESSED MTD. (DUAL)
150824-833	SQ240 V.I.C. SURFACE MTD. (SGL.)
150824-834	SQ240 V.I.C. RECESSED MTD. (SGL.)
150824-835	SQ240 V.I.C. SURFACE MTD. (DUAL)
150824-836	SQ240 V.I.C. RECESSED MTD. (DUAL)

ALL DIMENSIONS ARE IN INCHES

ALSO REFER TO GENERAL NOTES
APPLICABLE TO EQUIPMENT DRAWINGS**STERIS**STERIS Corporation
Mentor, OHCENTRA 360 SQ240 & QUANTUM
SERIES SURGICAL LIGHT-
CENTRAL MOUNTED FINISHED
CEILING INSTALLATION
3-36" ARM

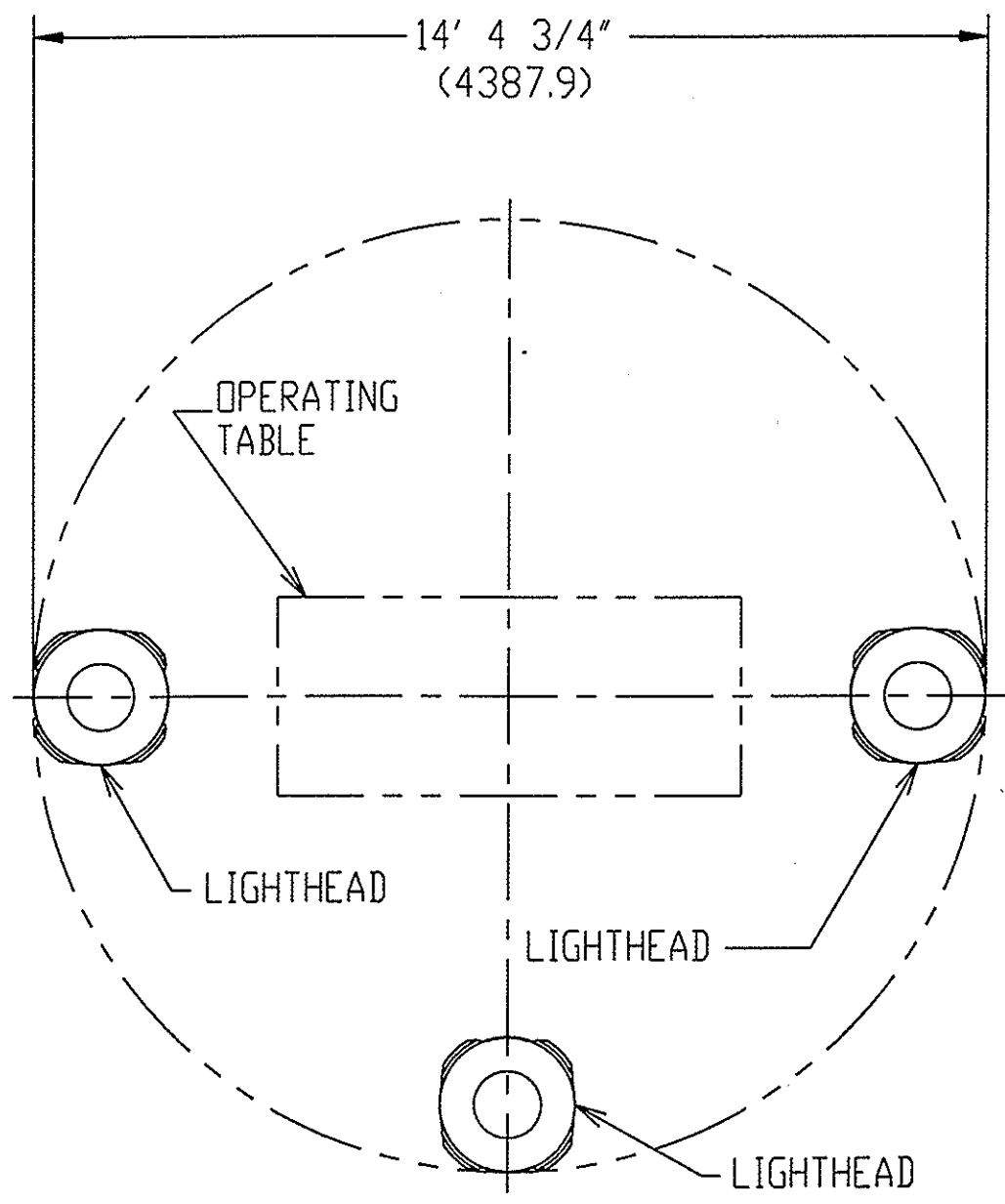
EQUIPMENT DRAWING NO.

150824-839

SH.3
OF 5

ITEM _____

LOCATION(S) _____



ALL DIMENSIONS ARE IN INCHES

ALSO REFER TO GENERAL NOTES APPLICABLE TO EQUIPMENT DRAWINGS



STERIS Corporation
Kentor, OH

MINIMUM CLEARANCE FOR
CENTRA 360 SQ240 & QUANTUM
SERIES SURGICAL LIGHT-
CENTRAL MOUNTED FINISHED
CEILING INSTALLATION
3-36" ARM

EQUIPMENT DRAWING NO.	
150824-839	SH.4 OF 5
ITEM _____	
LOCATION(S) _____	

CAD DWG
 ECA #024006
 DATE 01/14/02
 DRAWN BY GAC
 CHECKED BY ARW
 REV. NO. 6
 DWG. NO. 150824-839

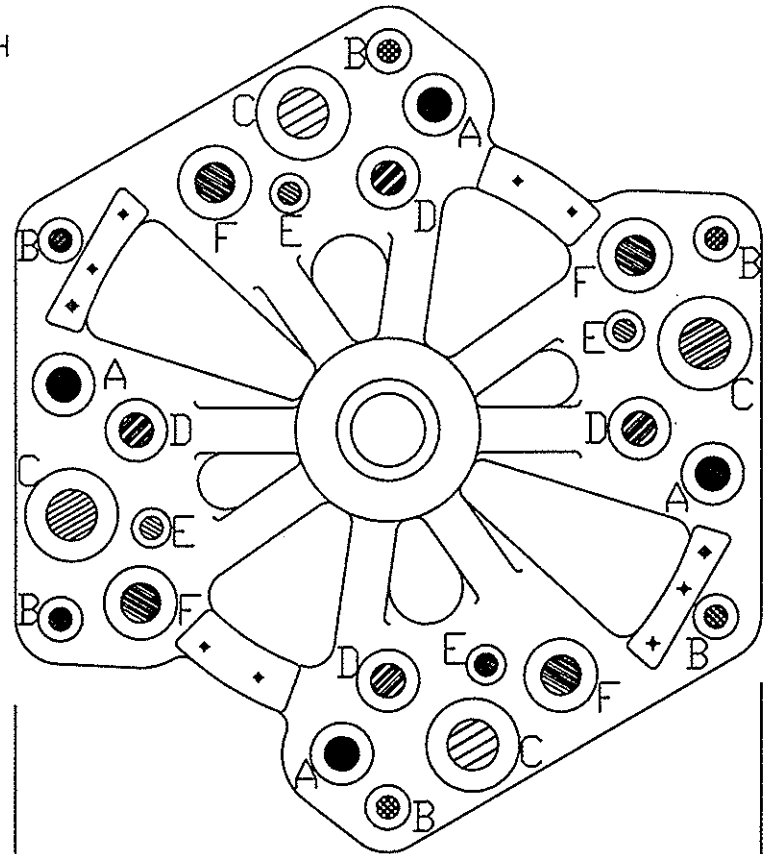
MOUNTING HOLE CHART

PATTERN ORIENTATION WITH RESPECT TO VERTICAL AXIS

MOUNTING HOLE CHART		PATTERN ORIENTATION WITH RESPECT TO VERTICAL AXIS
A	FOUR 5/8" BOLTS ON 14 1/2" DIA. B.C.**	+8°
B	SIX 3/8" BOLTS ON 16 3/4" DIA. B.C. *	0°
C	FOUR 1" BOLTS ON 14 1/2" DIA. B.C.	-15°
D	FOUR 5/8" BOLTS ON 11 1/8" DIA. B.C.	0°
E	FOUR 3/8" BOLTS ON 11 5/16" DIA. B.C. *	-22 1/2°
F	FOUR 3/4" BOLTS ON 13 11/32" DIA. B.C.	-35°

* TRIPLE ARM CENTRAS CAN NOT BE MOUNTED WITH "B" OR "E" BOLT PATTERN. DUAL ARM CENTRAS CAN NOT BE MOUNTED WITH "E" BOLT PATTERN.

**PREFERRED RECOMMENDED INSTALLATION USING "A" BOLT PATTERN.



16 1/2"

MOUNTING CONFIGURATION (AVAILABLE)

ALL DIMENSIONS ARE IN INCHES

ALSO REFER TO GENERAL NOTES APPLICABLE TO EQUIPMENT DRAWINGS



STERIS Corporation
 Mentor, OH

MINIMUM CLEARANCE FOR CENTRA 360 SQ240 & QUANTUM SERIES SURGICAL LIGHT-CENTRAL MOUNTED FINISHED CEILING INSTALLATION 3-36" ARM

EQUIPMENT DRAWING NO. 150824-839 SH.5 OF 5

ITEM _____
 LOCATION(S) _____