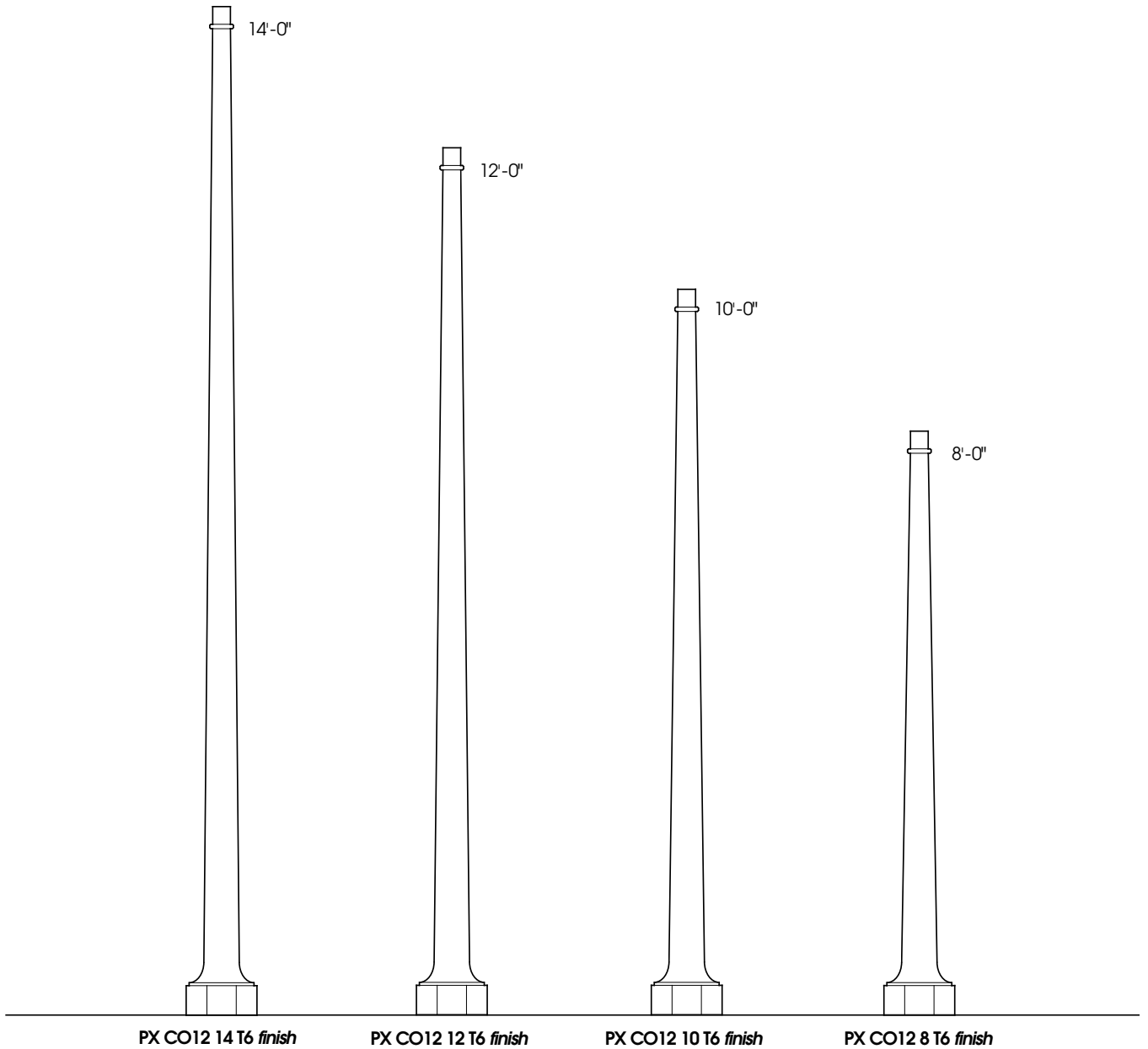


Cast Aluminum Posts
tapered shafts

CENTURY OAK Series
12" oct. base



SPECIFICATIONS

DESCRIPTION The lighting post shall be all aluminum, one-piece construction, with a low profile octagonal base design. The shaft shall be tapered, smooth spun aluminum. The post shall be Antique Street Lamps' catalog number PX CO12 XX T6 finish.

MATERIALS The base shall be heavy wall, copper free, cast aluminum produced from certified ASTM 356.1 ingot per ASTM B-179-95a or ASTM B26-95. The shaft shall be round tapered, smooth spun aluminum of 6063 alloy tempered to a T6 condition. All hardware shall be tamper resistant stainless steel. Anchor bolts to be completely hot-dip galvanized.

CONSTRUCTION The shaft shall be double welded to the base casting and shipped as one piece for maximum structural integrity. The shaft shall be circumferentially welded inside the base casting at the top of the access doors, and externally where shaft exits the base. All exposed welds below 8' shall be ground smooth. All welding shall be per ANSI/AWS D1.2-90. All welders shall be certified per Section 5 of ANSI/AWS D1.2-90.

DIMENSIONS The post shall be X' - XX" in height with a 12" octagonal base. The shaft diameter shall taper from 6" above the base to 3" at the top. An integral 3" O.D. x 3" tenon with a transitional donut shall be provided for luminaire mounting.

INSTALLATION The post shall be provided with four, hot-dip galvanized L-type anchor bolts to be installed on an 8" diameter bolt circle. Two doors shall be provided in the base for anchorage and wiring access. A grounding screw shall be provided inside the base accessible from one door.

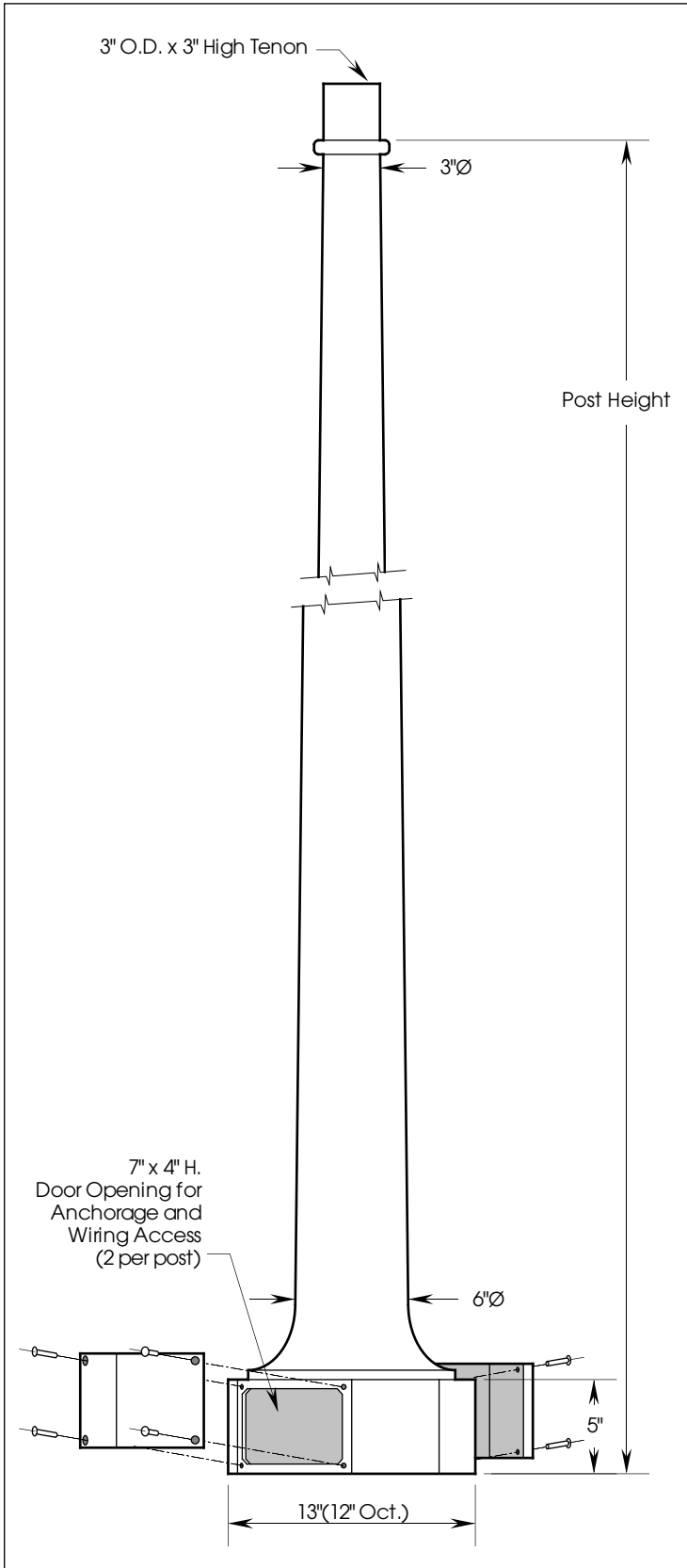
For finish specifications and color options, see "Finish" section in catalog.

ANTIQUE Street Lamps

2011-B W. Rundberg Ln. • Austin, TX 78758 • ph(512) 977-8444 • fax(512) 977-9622

CENTURY OAK Series

Cast Aluminum Posts



ORDERING INFORMATION

Choose the **boldface** catalog nomenclature that best suits your needs and write it on the appropriate line.

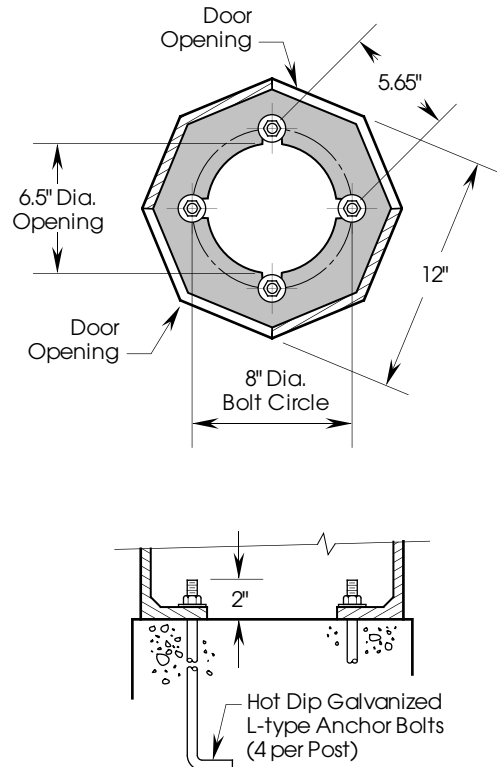
Example: **PX CO12 12 ANBK** Options

Post Series	Height	Finish ¹
PX CO12	8	ANBK Black
Post, Cast Aluminum	10	ANDB Dark Bronze
CENTURY OAK	12	ANDG Dark Green
12" base	14	ANVG Verde Green
		ANPP Prime Painted
		CM Custom Match
		CS Custom Select RAL colors
Shaft Type	Options	
T6 Tapered 6"-3"Ø	<input type="checkbox"/> Receptacles <input type="checkbox"/> Banner Arms <input type="checkbox"/> Flagpole Holders <input type="checkbox"/> Custom Logos <input type="checkbox"/> Signage (see Signage & Accessories section in the catalog or contact Antique Street Lamps)	

NOTES:

1. For finish specifications and color options, see **Finish** section in catalog or contact Antique Street Lamps.

ANCHORAGE GUIDE



ANTIQUÉ Street Lamps

2011-B W. Rundberg Ln. • Austin, TX 78758 • ph(512) 977-8444 • fax(512) 977-9622