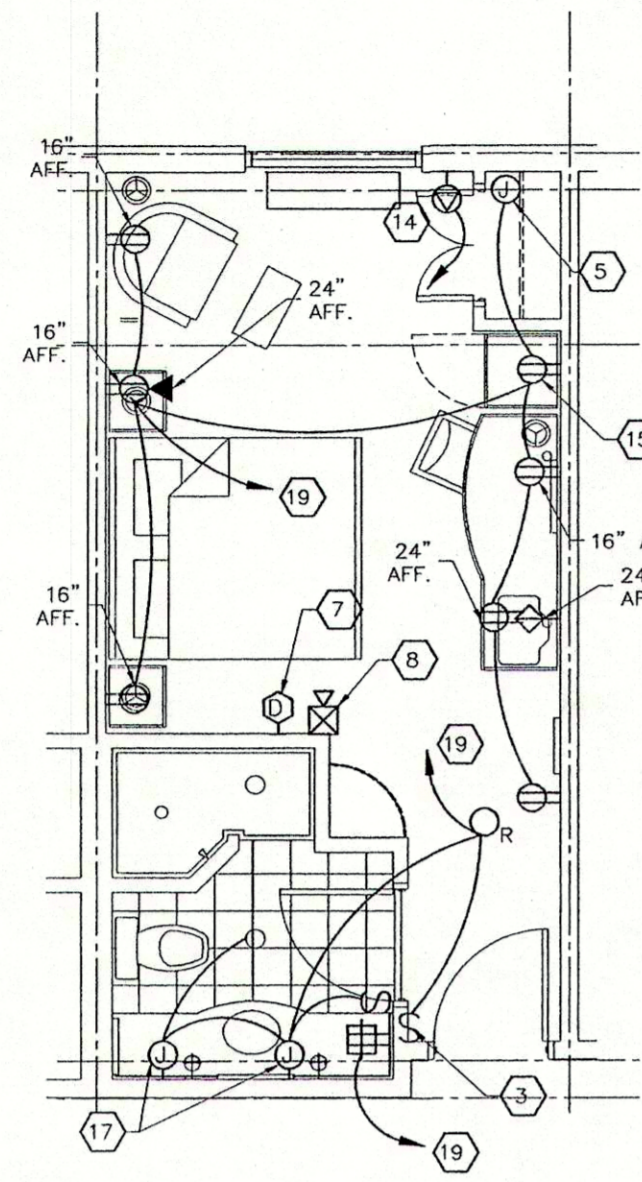
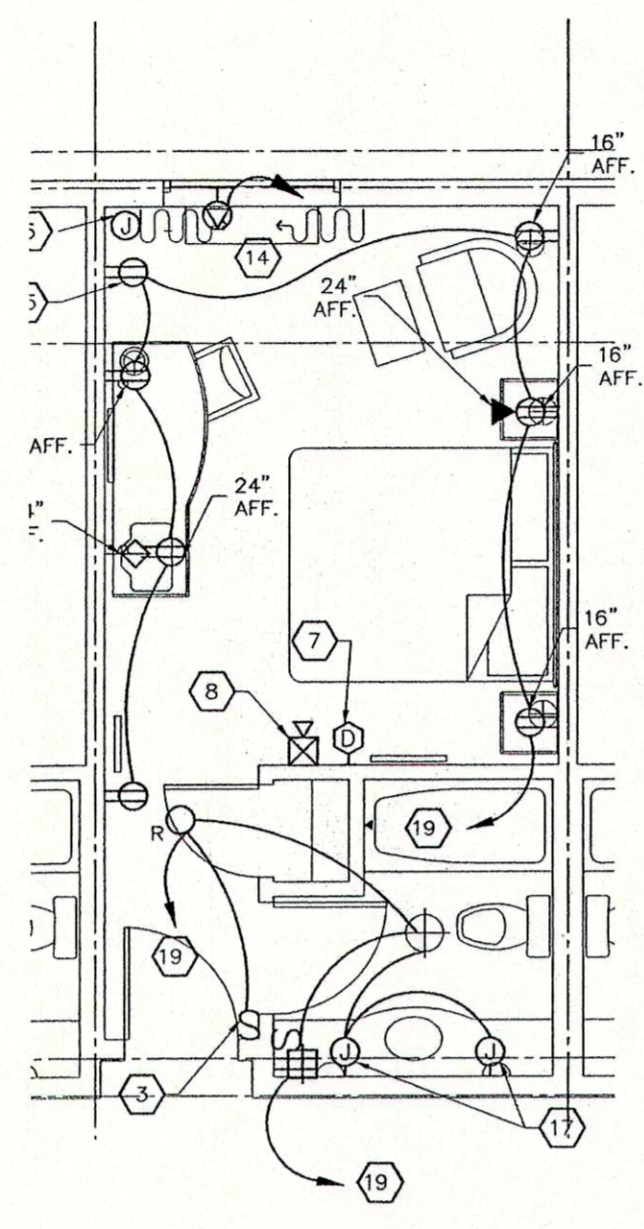


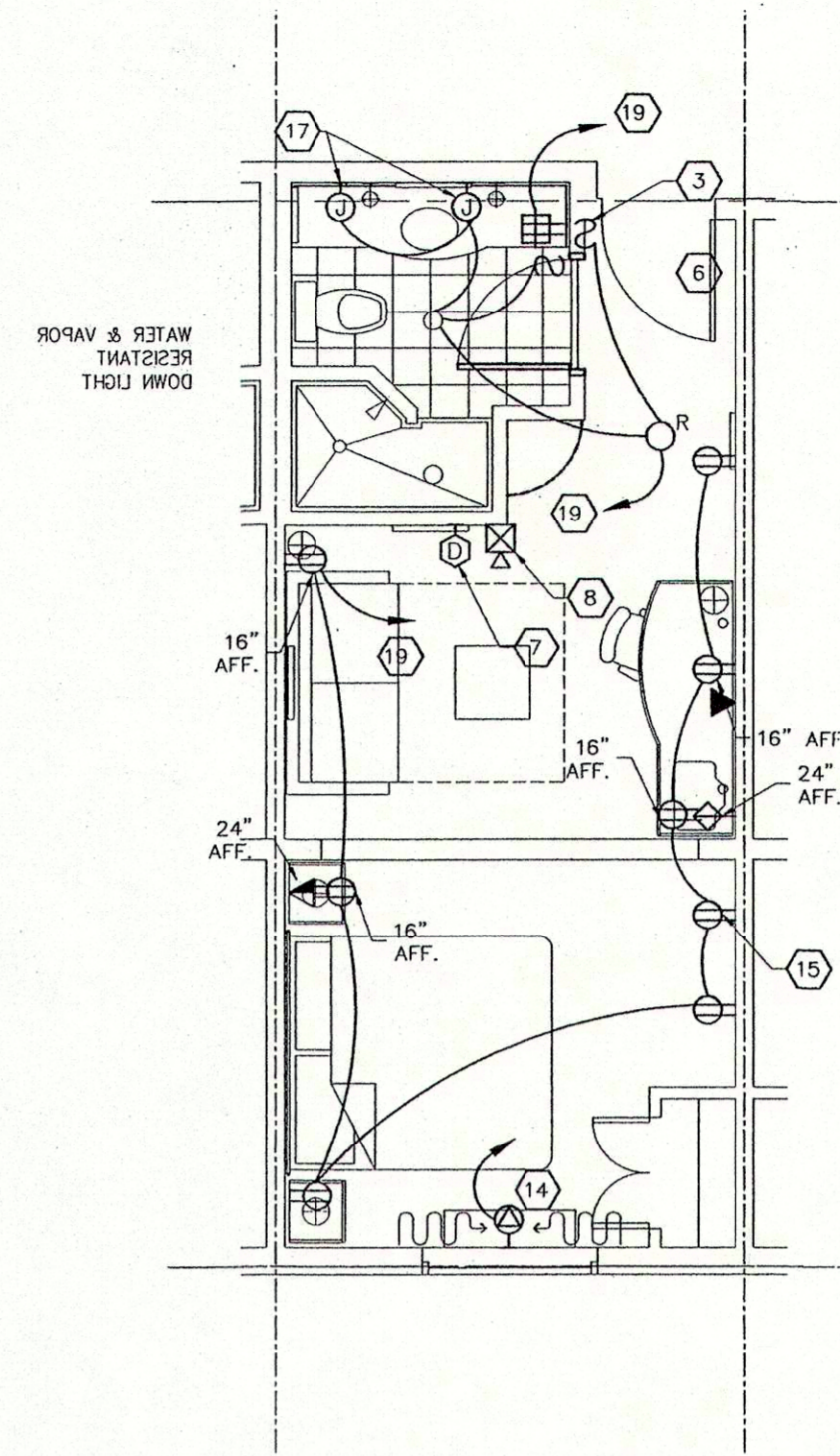
1 Q/Q UNIT PLAN-ELECTRICAL
E-9 SCALE: 1/4"=1'-0"



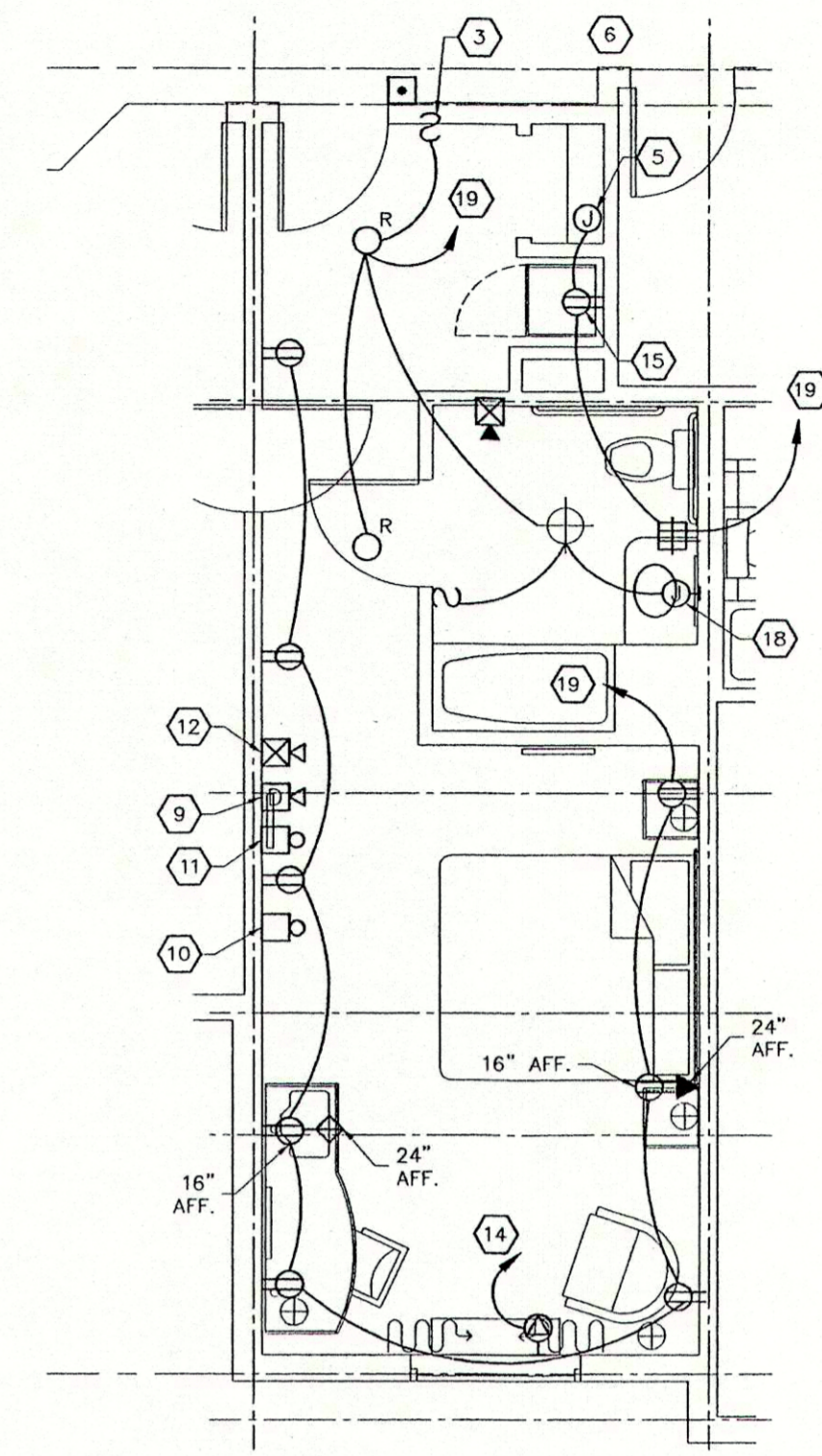
2 KING SHOWER PLAN-ELECTRICAL
E-9 SCALE: 1/4"=1'-0"



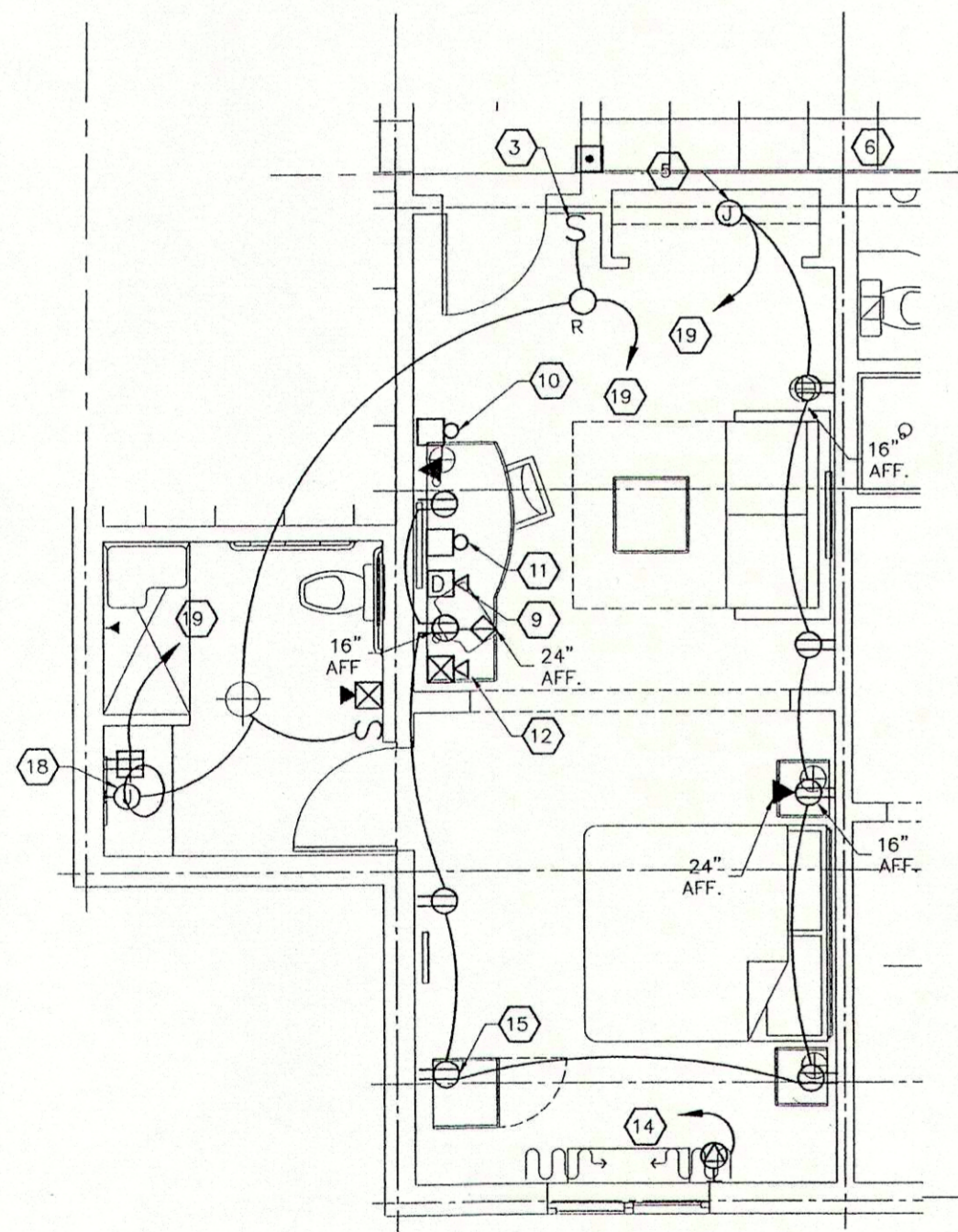
3 KING UNIT PLAN-ELECTRICAL
E-9 SCALE: 1/4"=1'-0"



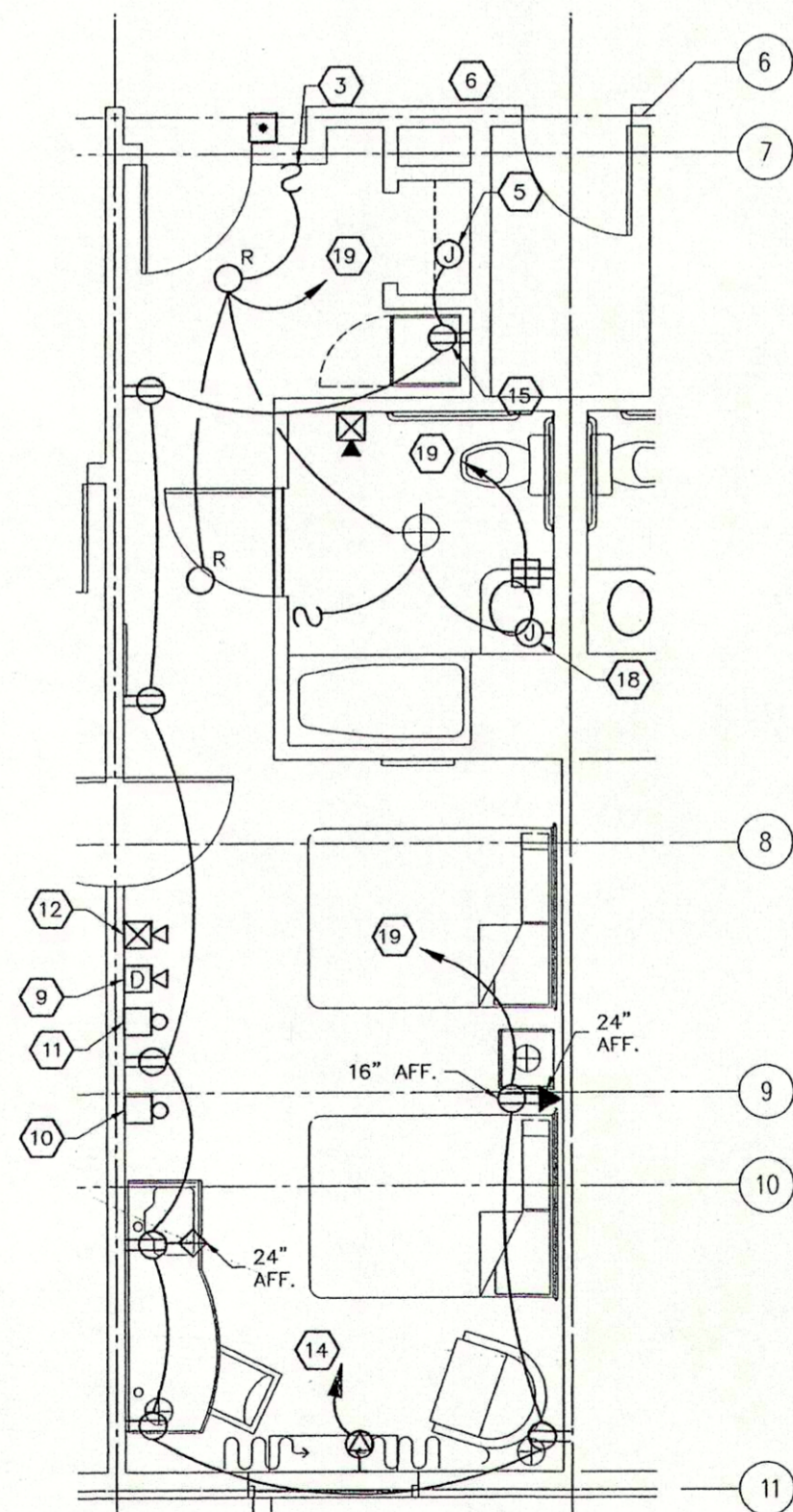
4 KING SUITE UNIT PLAN-ELECTRICAL
E-9 SCALE: 1/4"=1'-0"



5 HC KING UNIT PLAN-ELECTRICAL
E-9 SCALE: 1/4"=1'-0"



6 HC SUITE UNIT PLAN-ELECTRICAL
E-9 SCALE: 1/4"=1'-0"

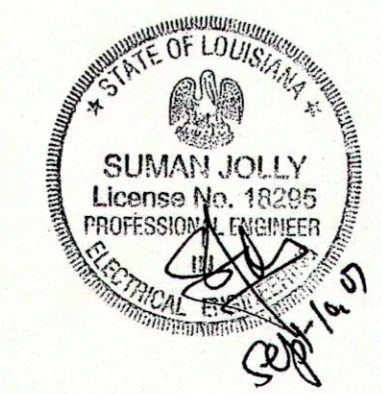


7 HC Q/Q UNIT PLAN-ELECTRICAL
E-9 SCALE: 1/4"=1'-0"

- KEYNOTES:**
- 1 NOT USED.
 - 2 NOT USED.
 - 3 LIGHT SWITCH.
 - 4 "MICRO-FRIDGE" OUTLET.
 - 5 MOUNT ABOVE SHELF IN CLOSET WITH REMOVABLE COVER FOR ACCESS. PAINT COVERPLATE TO MATCH WALL PAINT. LABEL CIRCUIT DESIGNATION ON INSIDE OF COVER.
 - 6 NOT USED
 - 7 SINGLE STATION SMOKE DETECTOR WITH AUDIBLE BASE.
 - 8 PROVIDE AN AUDIO FIRE ALARM.
 - 9 PROVIDE AN AUDIO VISUAL SMOKE DETECTOR IN HEARING IMPAIRED ROOMS AND ALL ACCESSIBLE ROOMS.
 - 10 PROVIDE HORN/STROBE ACTIVATED BY PUSHBUTTON, EDWARDS #7004, HOTEL ROOM ANNUNCIATOR KIT. PROVIDE GREEN LENS. LABEL LENS WITH "DOOR" IN LARGE BLACK LETTERS TO COVER ENTIRE LENGTH OF LENS.
 - 11 PROVIDE HORN/STROBE ACTIVATED BY TELEPHONE, EDWARDS #7004 HOTEL ANNUNCIATOR KIT WITHOUT PUSHBUTTON. PROVIDE DRY CONTACT TELEPHONE INTERFACE MODULE AND BLUE LENS FOR STROBE. LABEL LENS WITH "TELEPHONE" IN LARGE BLACK LETTERS TO COVER ENTIRE LENGTH OF LENS. ACTIVATE WHEN TELEPHONE RINGS, DEACTIVATE WHEN TELEPHONE IS ANSWERED.
 - 12 PROVIDE AN AUDIO/VISUAL FIRE ALARM IN HEARING IMPAIRED ROOMS AND ALL ACCESSIBLE ROOMS.
 - 13 PROVIDE A VISUAL FIRE ALARM DEVICE IN HEARING IMPAIRED AND HC BATHROOMS.
 - 14 OUTLET FOR PTAC, SEE RESPECTIVE PANEL SCHEDULE DWG. E-10.
 - 15 OUTLET FOR "MICRO-FRIDGE" UNIT.
 - 16 CONVENIENCE RECEPTACLE FOR IRONING OR VACUUMING.
 - 17 JUNCTION BOX FOR OWNER SUPPLIED WALL SCONCE TYPE "U". SEE ARCH. DWGS. FOR MOUNTING HEIGHT.
 - 18 JUNCTION BOX FOR OWNER SUPPLIED WALL SCONCE TYPE "W". SEE ARCH. DWGS. FOR MOUNTING HEIGHT.
 - 19 CIRCUITS TO ORIGINATE FROM RESPECTIVE PANELBOARD. SEE DWG. E-10.

- GENERAL NOTES:**
1. IN GUESTROOM BATHROOM, MOUNT LIGHT SWITCH AND RECEPTACLE UNDER SINGLE COVERPLATE (WHERE POSSIBLE).
 2. AUDIO DEVICES IN GUESTROOMS MAY BE MINI-HORNS.
 3. REFER TO ARCHITECTURAL ENLARGED GUESTROOM DWGS. FOR ELEVATION AND LOCATION OF OUTLETS.
 4. REFER TO ARCHITECTURAL DRAWINGS FOR HEARING IMPAIRED ROOM LOCATIONS AND ADDITIONAL ELECTRICAL REQUIREMENTS. PROVIDE VISUAL DEVICES IN ALL HANDICAP AND HEARING IMPAIRED ROOMS.
 5. FOR LOCATION OF OUTLETS AND DEVICES SEE ARCHITECTURAL AND INTERIOR DRAWINGS.

NOTE:
CONTRACTOR TO COMPLETELY WIRE ONE UNIT FOR OWNER'S APPROVAL OF LOCATIONS FOR ALL DEVICES & CONTROLLING CIRCUITING PRIOR TO ROUGH-INS OF THE OTHER UNITS.



I&H ACAD SERVICES, LLC
(504) 884-2902
GREYNA, LOUISIANA

78 ROOMS SLEEP-IN INN SUITES
LOTS 4 AND 5 - ST. MARY PARISH
BERWICK, LOUISIANA



OWNER:
MR. BUI NGUYEN

TITLE
TYPICAL UNIT PLANS
ELECTRICAL

DATE
6/16/08

SHEET NUMBER
E-9

29