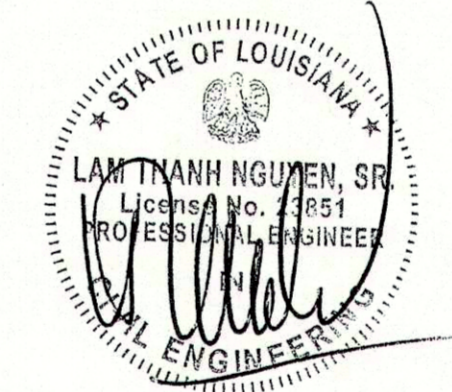


STATE HIGHWAY US-90

LOT SIZE = 53,000 SQUARE FEET = 1.22 ACRES
 BUILDING ENVELOPE = 12,275 SQ. FT.
 WALKING AREA = 1,364 SQ. FT.
 GRASSY AREA = 6,609 SQ. FT.
 OTHER CONCRETE PAVEMENT = 32,752 SQ. FT.

SITE/DRAINAGE PLAN



POST-PROJECT
 GRASS: 6,609 SF.=0.152 ACRE AND C=0.35
 CONCRETE & OTHERS: (12,275+1,364+32,752) SF.
 =46,391SF=1.06ACRE AND C=0.90

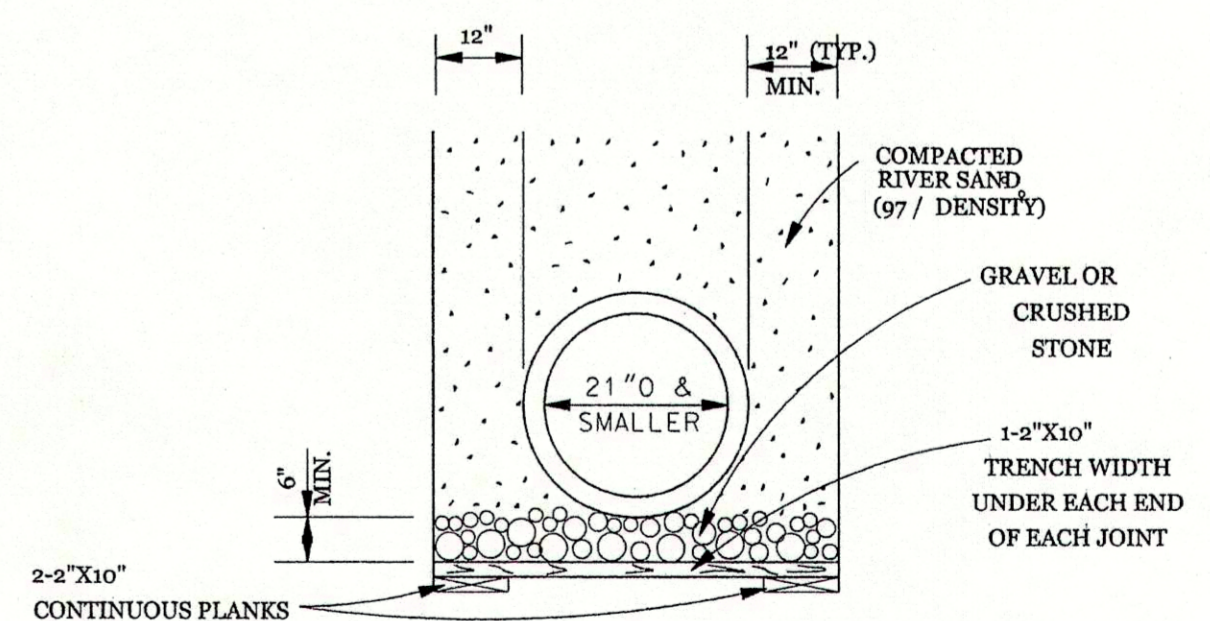
RAIN FALL RUN-OFF CALCULATIONS

PRE-PROJECT

Q=CIA	Q=CIA
C=0.35	C=0.35
I=6.0 (10 YEARS)	I=8.4 (100 YEARS)
A= 1.22 ARCE	A= 1.22 ARCE
Q=0.35 X 6.0 X 1.22	Q=0.35 X 8.4 X 1.22
Q=2.562 CFS	Q=3.59 CFS

Q=CIA	Q=CIA
C=0.83	C=0.83
I=6.0 (10 YEARS)	I=8.4 (100 YEARS)
A=1.22 ARCE	A= 1.22 ARCE
Q=0.83 X 6.0 X 1.22	Q=0.83 X 8.4 X 1.22
Q=6.08 CFS	Q=8.51 CFS

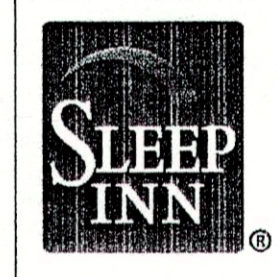
DETERMINE PIPE DIAMETER:
 $Q(out) = 2.56 CFS$
 $D(FT) = (1.33) \times ((Q \times n) / \text{square root of slope})^{\text{power}(3/8)}$
 $= 1.33 \times [(2.56 \times 0.009) / \text{sqrt}(0.025)]^{\text{power}3/8}$
 $= 0.65 FT. \text{ OR } 8 \text{ INCHES}$



DRAIN LINE BEDDING DETAILS
not to scale

L&H ACAD SERVICES, LLC
 (504) 884-2902
 GREINA, LOUISIANA

78 ROOMS SLEEP-INN SUITES
 LOTS 4 AND 5 - ST. MARY PARISH
 2033 HIGHWAY US-90
 BERWICK, LOUISIANA



OWNER:
 MR. BUI NGUYEN

TITLE
 SITE AND DRAINAGE SYSTEM

DATE
 12/08/08

SHEET NUMBER
5-2
 SCALE: 1/16" = 1 FT