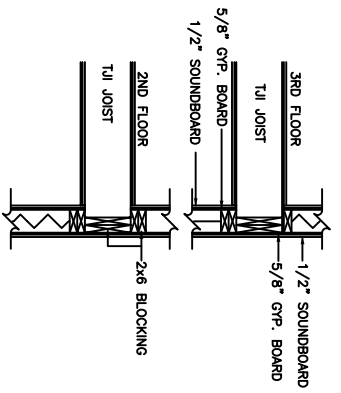
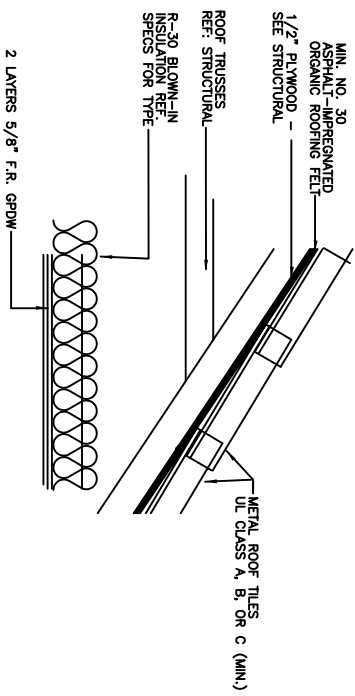


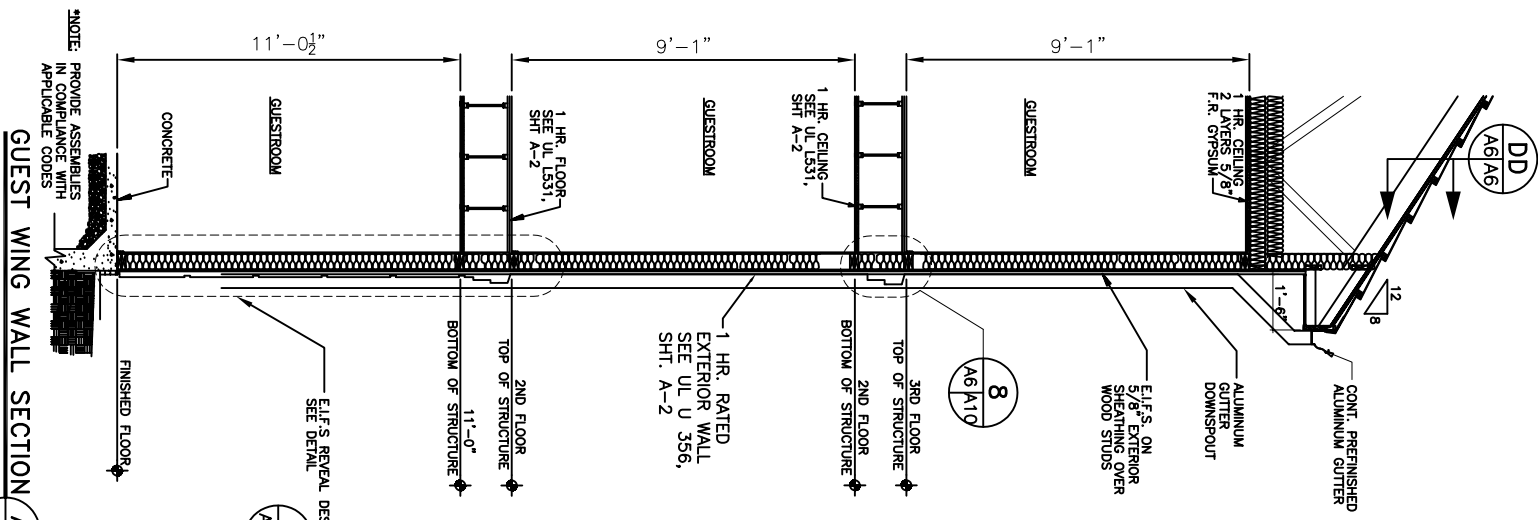
RATED EXTERIOR WALL AA
A6/A17
NOT TO SCALE



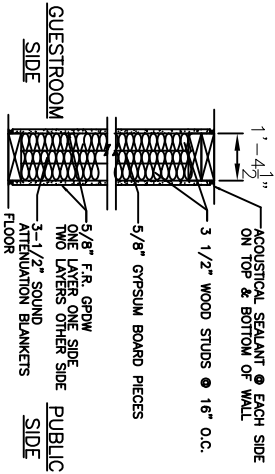
1-HR RATED WALL BB
A6/A11
NOT TO SCALE



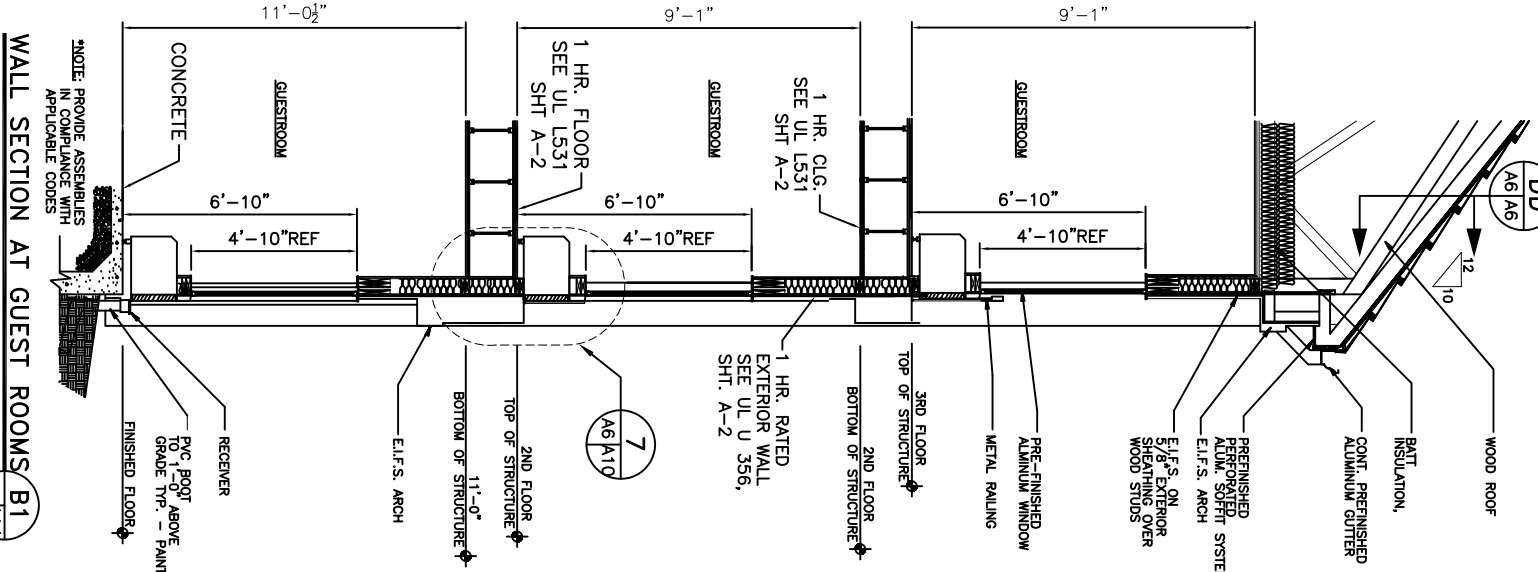
CEILING ROOF ASSEMBLY-RATED DD
A6/A6
NOT TO SCALE



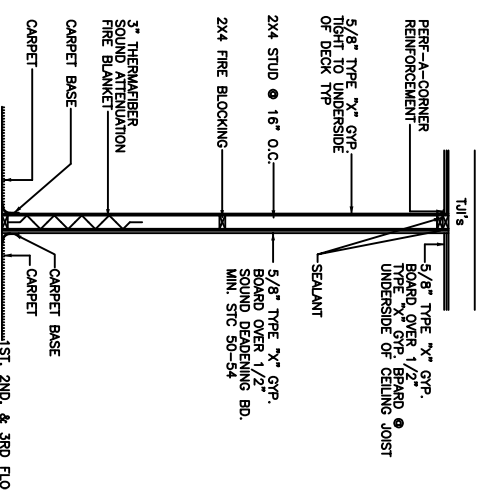
GUEST WING WALL SECTION A1
A6/A13
A6/A14
NOT TO SCALE



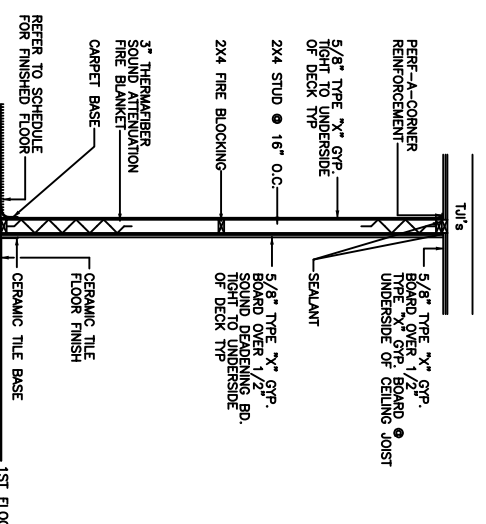
PARTITION/54STC CC
A6/A12
A6/A13
A6/A14
NOT TO SCALE



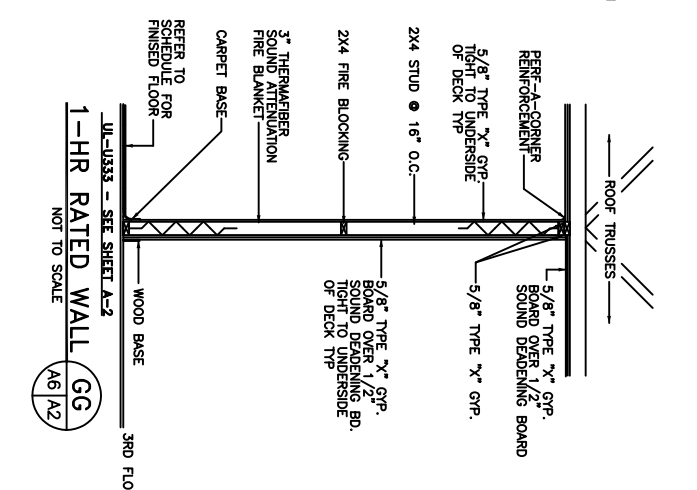
WALL SECTION AT GUEST ROOMS B1
A6/A14
NOT TO SCALE



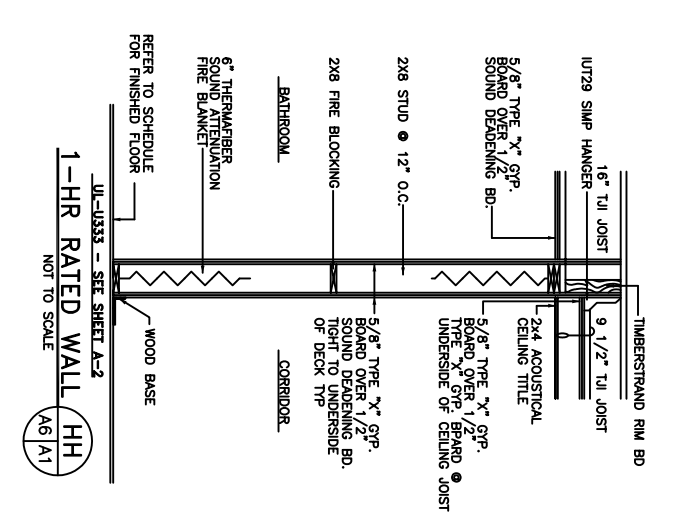
GUEST ROOM SEPARATION BELOW CEILING TJI CARPET EE
A6/A1
NOT TO SCALE



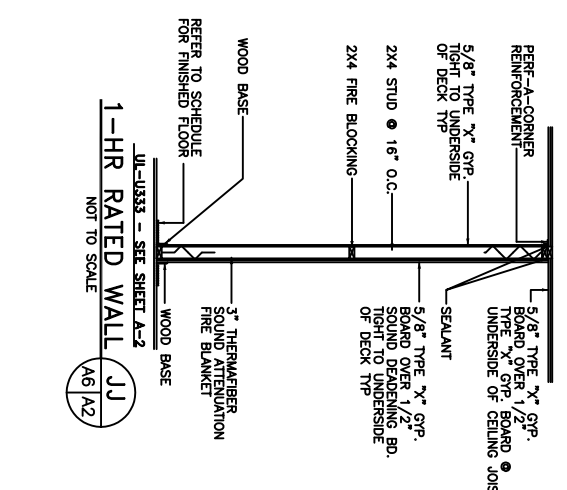
1-HR RATED WALL BELOW CEILING TJI TILE FF
A6/A1
NOT TO SCALE



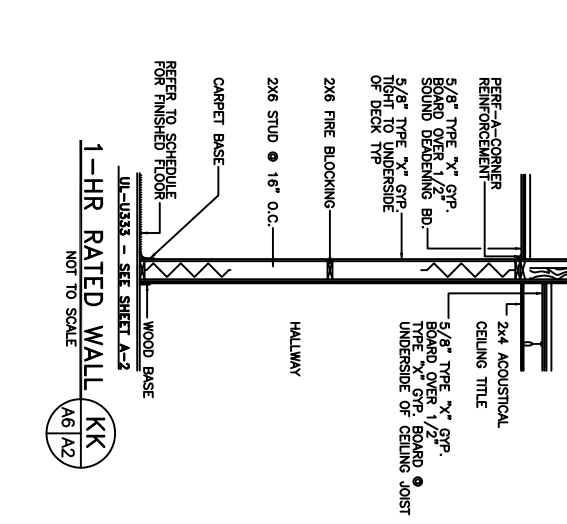
1-HR RATED WALL GG
A6/A2
NOT TO SCALE



1-HR RATED WALL HH
A6/A1
NOT TO SCALE



1-HR RATED WALL JJ
A6/A2
NOT TO SCALE



1-HR RATED WALL KK
A6/A2
NOT TO SCALE

DESIGN 3 REVISED: 02-09-07

WALL SECTIONS
DR. EDUARDO HERNANDEZ
CEDAR LAKE ROAD
BILOXI, MISSISSIPPI

DAMMON ENGINEERING, INC.
1095 FLORIDA AVENUE 985-649-5832 SLIDELL, LA. 70458
DAMMONENGINEERING.COM

LA QUINTA INN & SUITES
SCALE: AS NOTED
FILE:
JOB NO. 1694
DATE: 11-01-05

SHEET
A-6
OF