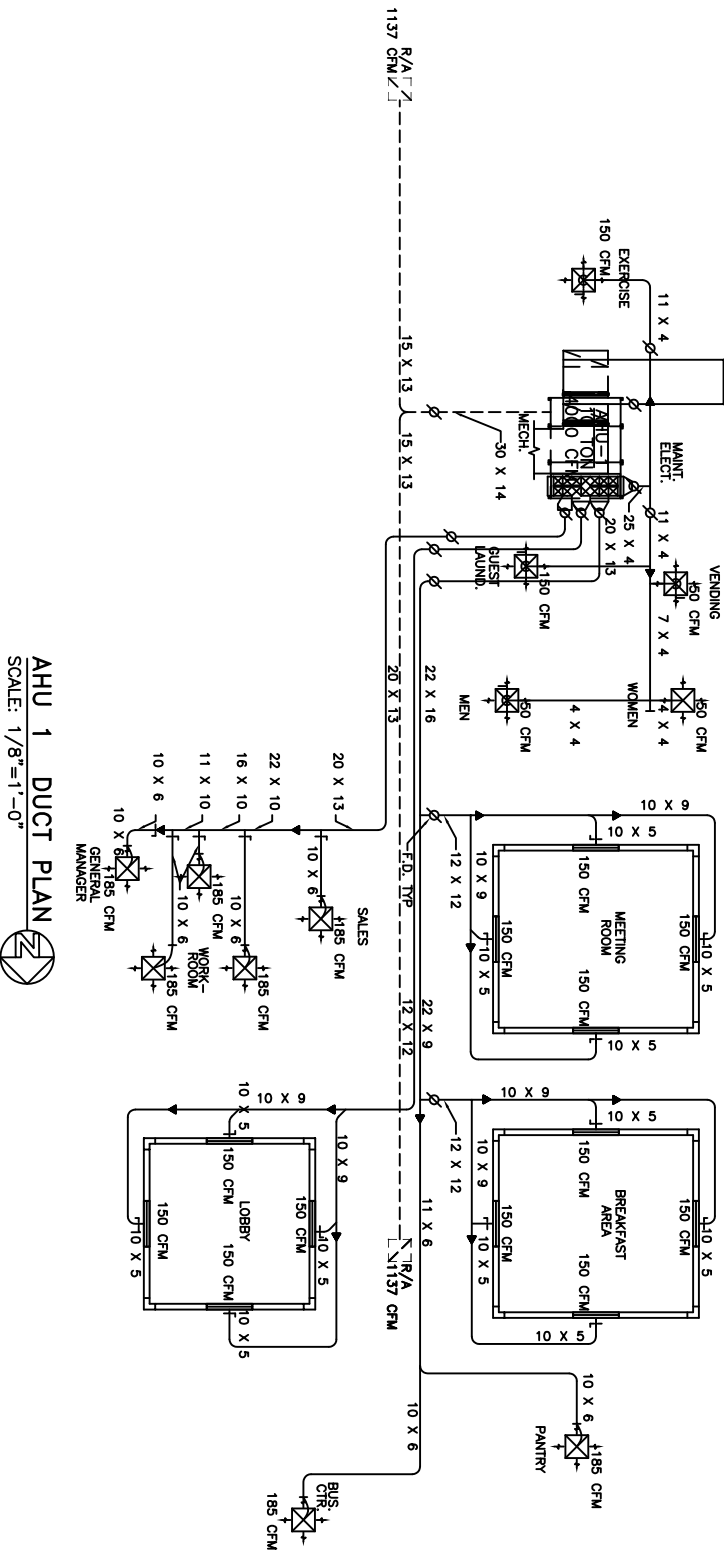
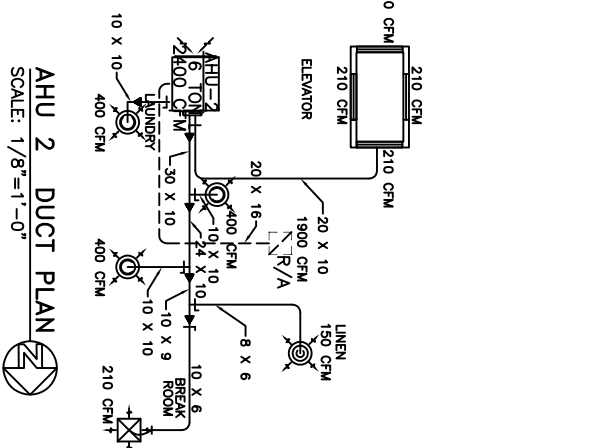


FIRST FLOOR MECHANICAL PLAN
SCALE: 1/8"=1'-0"



AHU 1 DUCT PLAN
SCALE: 1/8"=1'-0"



AHU 2 DUCT PLAN
SCALE: 1/8"=1'-0"

MECHANICAL NOTES:

1. CONCEALED DUCTWORK TO BE UL-181, CLASS I, FIBERGLASS DUCTBOARD. DUCTS SHALL BE SIZED TO LIMIT MAIN DUCTS TO 1,000 CFM AND SECONDARY DUCTS TO 600 CFM. TO BE INSTALLED PER SMACNA STANDARDS.
2. EXPOSED DUCTWORK TO BE GALVANIZED SHEET METAL PER SMACNA STANDARDS. LINEN WITH NEOPRENE COATED 1.0", 1.5 POUNDS PER CUBIC FOOT DUCT INSULATION.
3. ROUND FLEXIBLE DUCT TO BE UL-181, CLASS I, AIR DUCT MATERIALS.
4. DUCT SIZES SHOWN ARE CLEAR INSIDE DIMENSIONS.
5. IN ALL SYSTEMS OVER 2,000 CFM AND LESS THAN 15,000 CFM, SMOKE DETECTORS SHALL BE INSTALLED IN ACCORDANCE WITH NFPA 72E IN THE RETURN DUCT DOWNSTREAM OF THE AIR HANDLING UNIT AND ALL FILTERS, TO AUTOMATICALLY STOP THE FAN.
6. PROVIDE U.L. LISTED 125 F FIRESTAT IN RETURN AIR OF EACH SYSTEM UNDER 2,000 CFM TO SHUT DOWN FAN IN THE EVENT OF FIRE.
7. PROVIDE U.L. RATED FIRE DAMPERS WHERE REQUIRED BY CODE, INCLUDING OUTSIDE AIR INTAKES.
8. CONDENSATE DRAINS TO BE PVC PIPE RUN TO PLUMBERS P-TRAP WITHIN FIVE FEET OF AIR HANDLING UNITS.
9. ALL THERMOSTATS TO BE AUTOMATIC CHANGEOVER WITH HEAT SWITCH.
10. EXHAUST FAN EQUAL TO BEAN MODEL NO. 100 CF OR EQUAL. FAN SHALL BE CONTROLLED BY SWITCH ON WALL AT LIGHT SWITCH. PROVIDE BACK DRAFT DAMPER.
11. PROVIDE AND INSTALL WATER PROOF GRILLE VENT ON ROOF FOR TOILET EXHAUST.
12. ALL SUPPLY AIR VENTS SHALL BE EQUIPPED WITH AIR CONTROL DAMPERS.
13. LOCATION OF OUTDOOR UNITS SHALL BE AS SHOWN ON PLAN. MECHANICAL CONTRACTOR SHALL PROVIDE A 4" CONCRETE REINFORCED PAD FOR EACH CONDENSING UNIT.
14. REFRIGERANT LINES SHALL BE SIZED BY UNIT MANUFACTURER AND INSTALLED ACCORDING TO MANUFACTURERS INSTRUCTIONS.
15. FRESH AIR SHALL BE SUPPLIED TO EACH AIR HANDLER THROUGH ROOF TOP DUCT SUPPLIED WITH A CONTROL DAMPER.
16. INSTALL FIRE DAMPER WHERE S.A. AND R.A. DUCTS PENETRATE 1 HR. CEILING.
17. ALL ELECTRICAL, MECHANICAL AND PLUMBING PENETRATING FIRE PARTITIONS SHALL BE FIRE CAULKED. (PENETRATIONS THROUGH RATED CONSTRUCTION SHALL BE SEALED WITH A MATERIAL CAPABLE OF PREVENTING THE PASSAGE OF FLAMES AND HOT GASES WHEN TESTED IN ACCORDANCE WITH ASTM-E814.)

- LEGEND**
- 24"x24" SUPPLY
 - FIRE DAMPER
 - RETURN AIR GRILLE
 - LINEAR DIFFUSER
 - THERMOSTAT

NOTE:
SEE DWG M-2 FOR KENNOTES, GENERAL NOTES, EXHAUST FAN & A/C UNIT SCHEDULES.