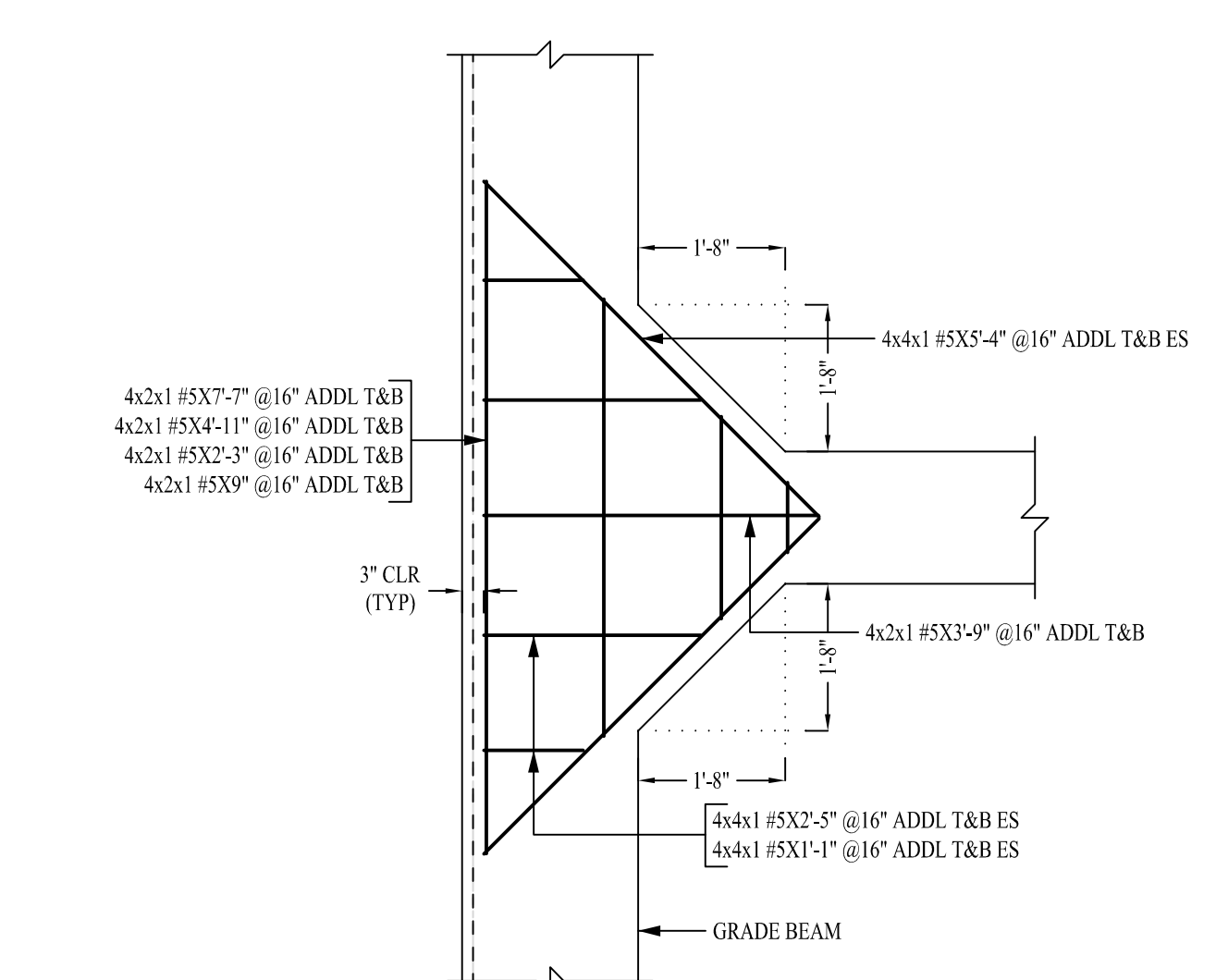


(4 EACH)  
**DETAIL-A**  
SCALE - 1/2"=1'-0"  
REF: S101



(4 EACH)  
**DETAIL-B**  
SCALE - 1/2"=1'-0"  
REF: S101

**FOUNDATION REINFORCEMENT DETAILS**  
SCALE - 3/8"=1'-0"  
REF: S101

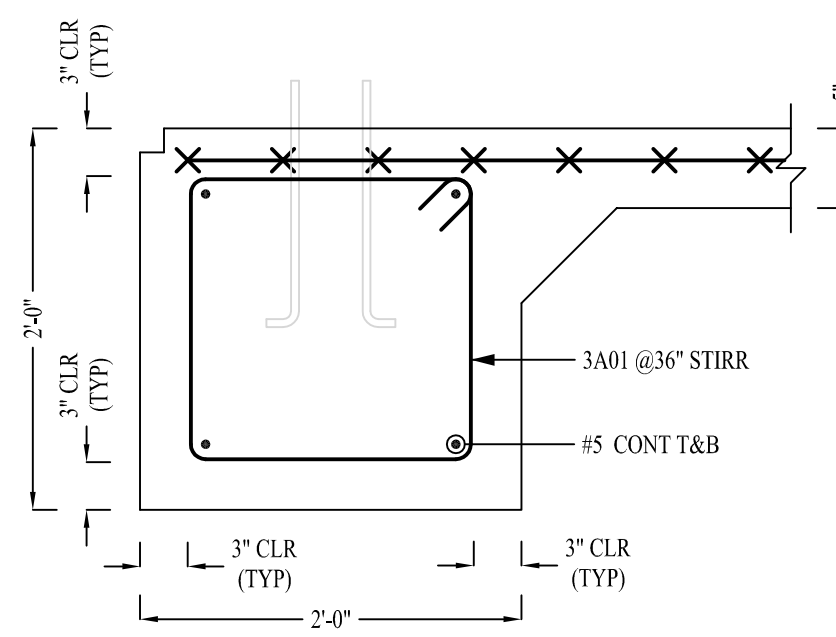
ALL BARS IN THIS DRAWING ARE ASTM  
A615 GRADE 60 UNCOATED



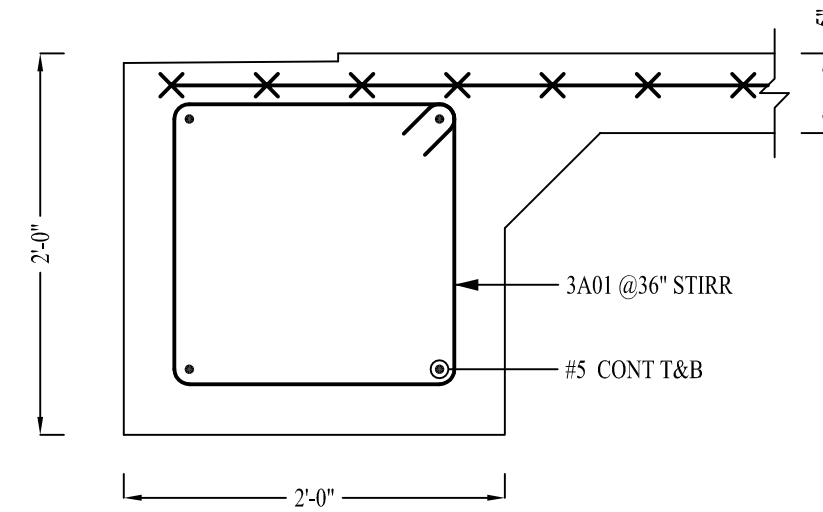
**ATLAS REBAR**

PI: (912) 655-8624

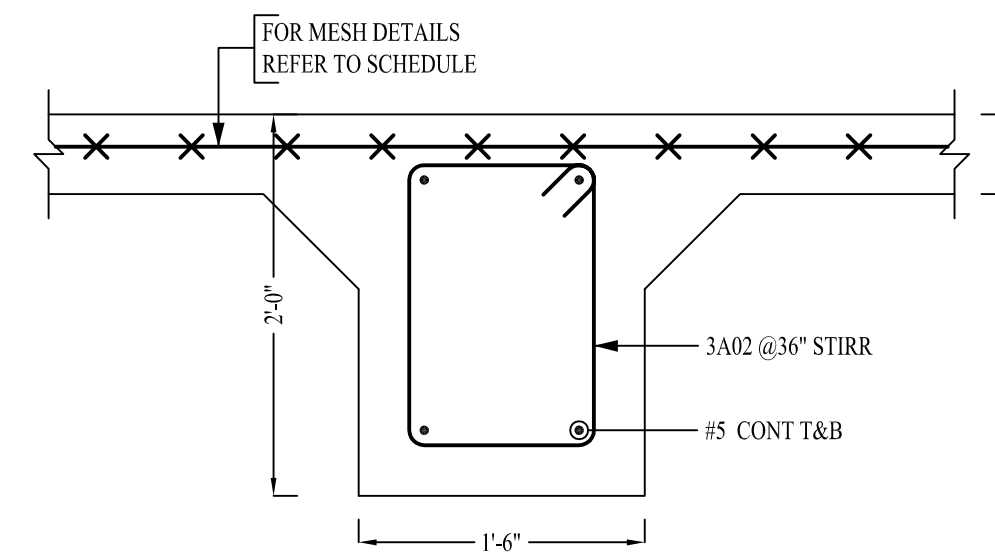
TITLE: FOUNDATION		DATE: 04/28/2023		DWG NO:	
PROJECT: LEGACY BUICK GMC SLIDELL		JOB NO:		F1	
CUSTOMER: -		DATE: 04/28/2023		REV #	
0	FOR APPROVAL	04/28/2023	-		
REV #	DESCRIPTION	DATE			



**SECTION 1**  
SCALE - 1/1"=1'-0"  
REF:D/S101

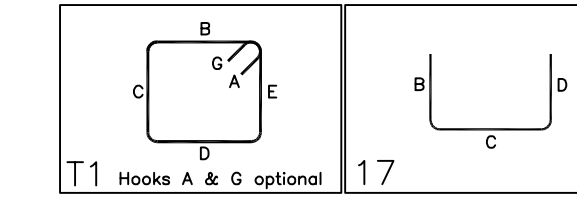


**SECTION 2**  
SCALE - 1/1"=1'-0"  
REF:E/S101



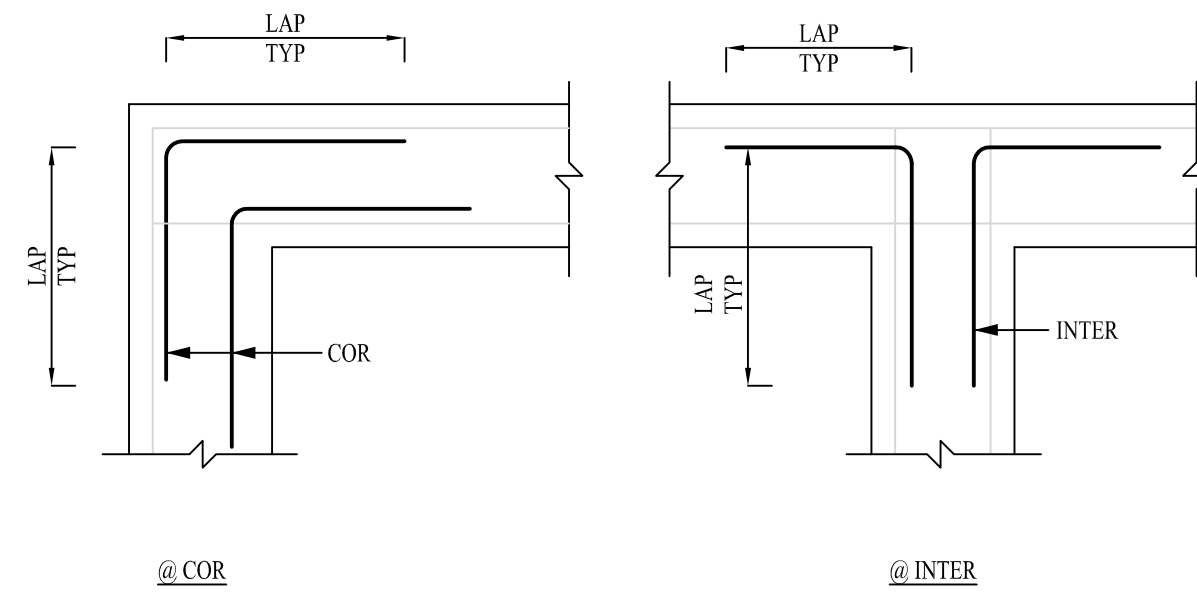
**SECTION 3**  
SCALE - 1/1"=1'-0"  
REF:F/S101

Release Number: F1-F1A				BENDING DETAILS												
Bar Mark	Qty	Size	Total Length	Type	X'	Y'	Z'	W'	V'	U'	T'	S'	R'	Q'	P'	
3A02	134	#3	5'-8"	T1	0'-4"	1'-0"	1'-6"	1'-0"	1'-6"							
3A01	64	#3	6'-8"	T1	0'-4"	1'-6"	1'-6"	1'-6"	1'-6"							
5A01	64	#5	5'-2"	T1		2'-7"	2'-7"									



MESH REINFORCEMENT DETAILS				
SLAB THICK	MESH TYPE	AREA (IN SQ.FT) (ADDED 15% LAP)	QTY (SIZE=8'-0" X 20'-0")	REMARK
5"	6x6-D5.5/D5.5 WWM	2904	19 NOS	AT SLAB ON GRADE

LAP SCHEDULE	
REF:G/S101	
SIZE	50 O LAP
#3	19"
#4	25"
#5	31"
#6	38"



**TYPICAL CORNER AND INTERSECTION BAR ARRANGEMENT DETAILS**  
SCALE: NTS  
REF:11/S1.1.0  
(VERIFY CORNER AND INTERSECTION BAR ARRANGEMENT DETAILS FOLLOWED)

ALL BARS IN THIS DRAWING ARE ASTM A615 GRADE 60 UNCOATED



**ATLAS REBAR**

PI: (912) 655-8624

TITLE: FOUNDATION			
PROJECT: LEGACY BUICK GMC SLIDELL			
CUSTOMER: -			
		DATE: 04/28/2023	DWG NO:
		JOB NO:	<b>F1A</b>
0	FOR APPROVAL	04/28/2023	
REV #	DESCRIPTION	DATE	