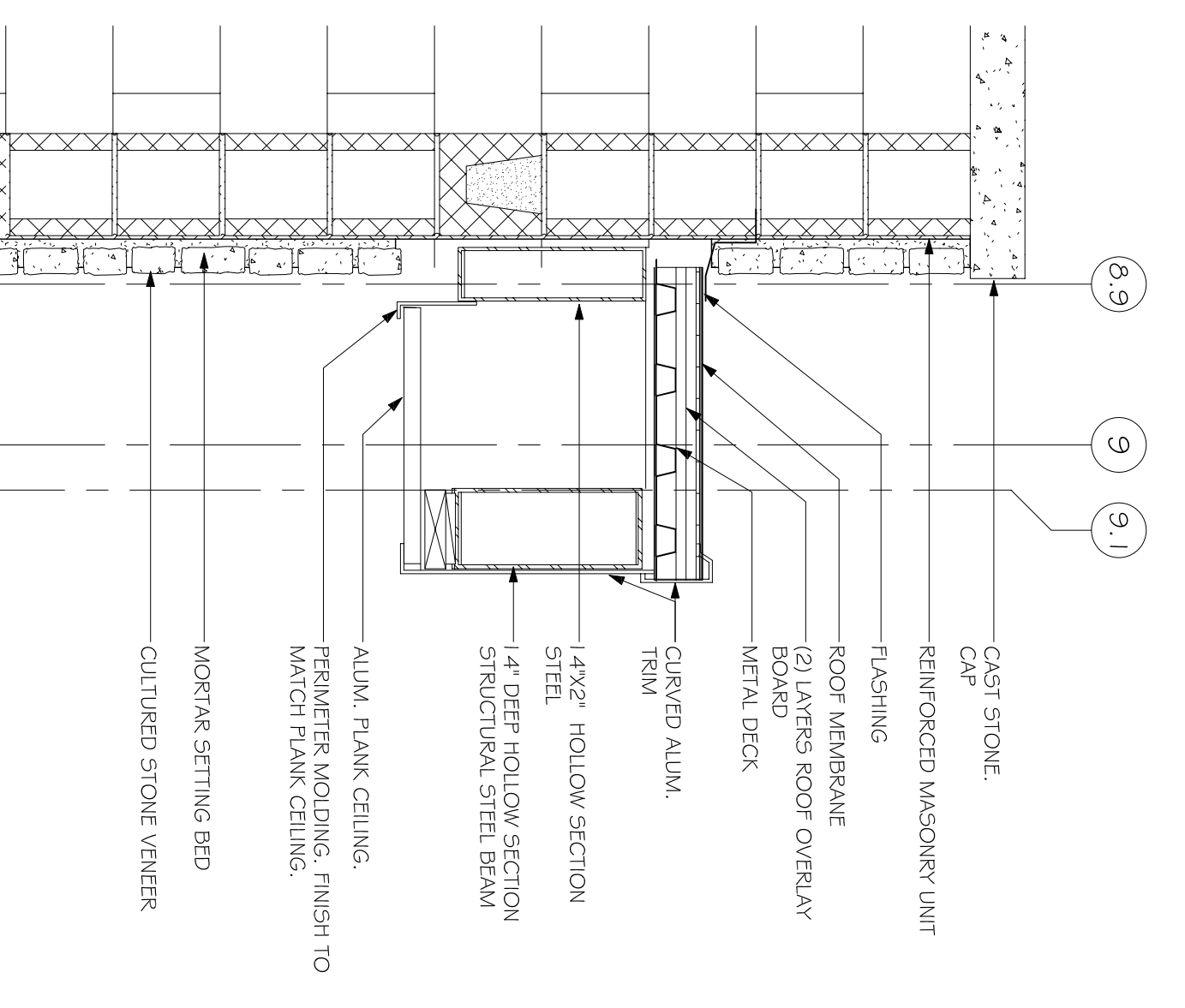
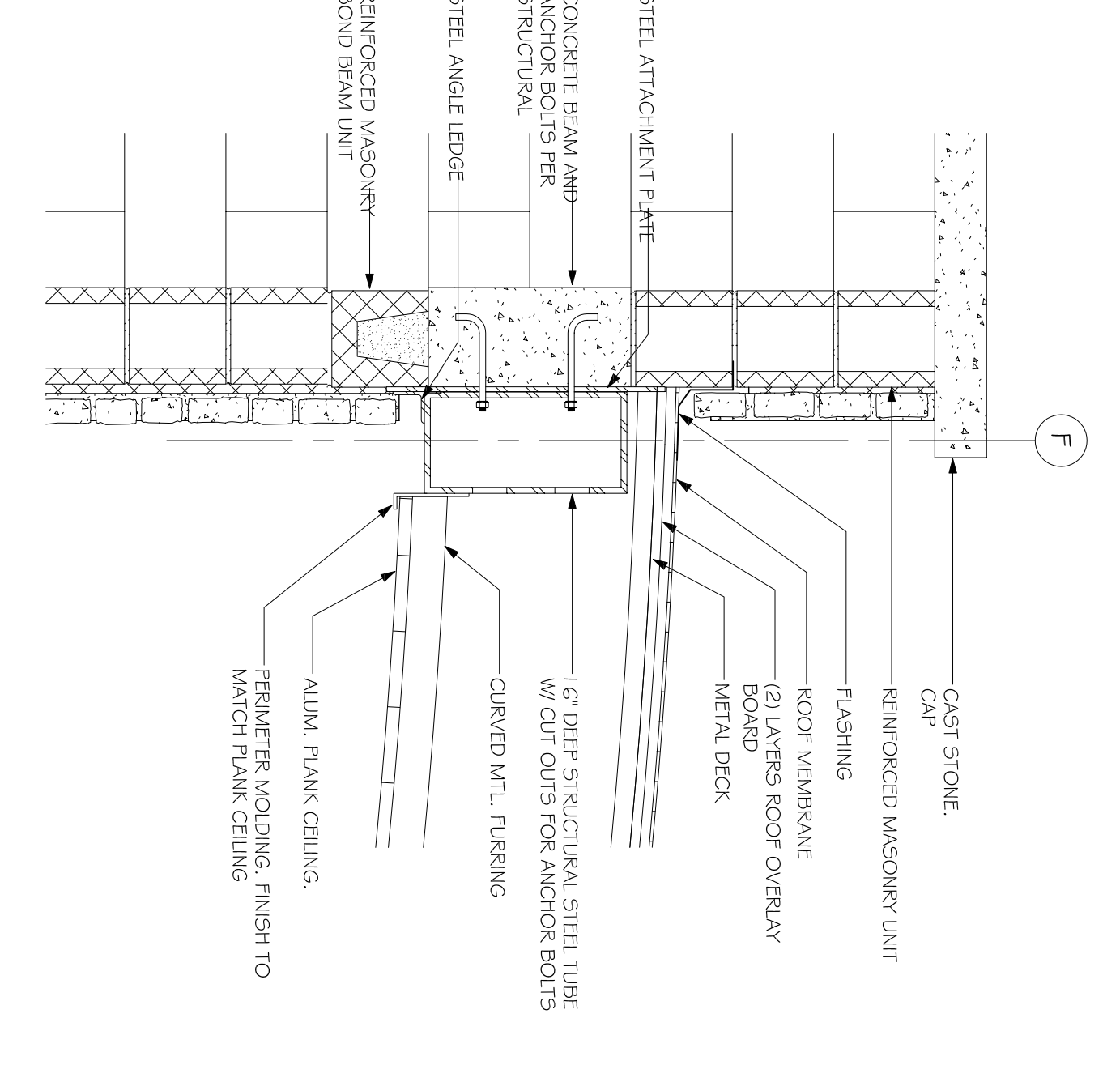


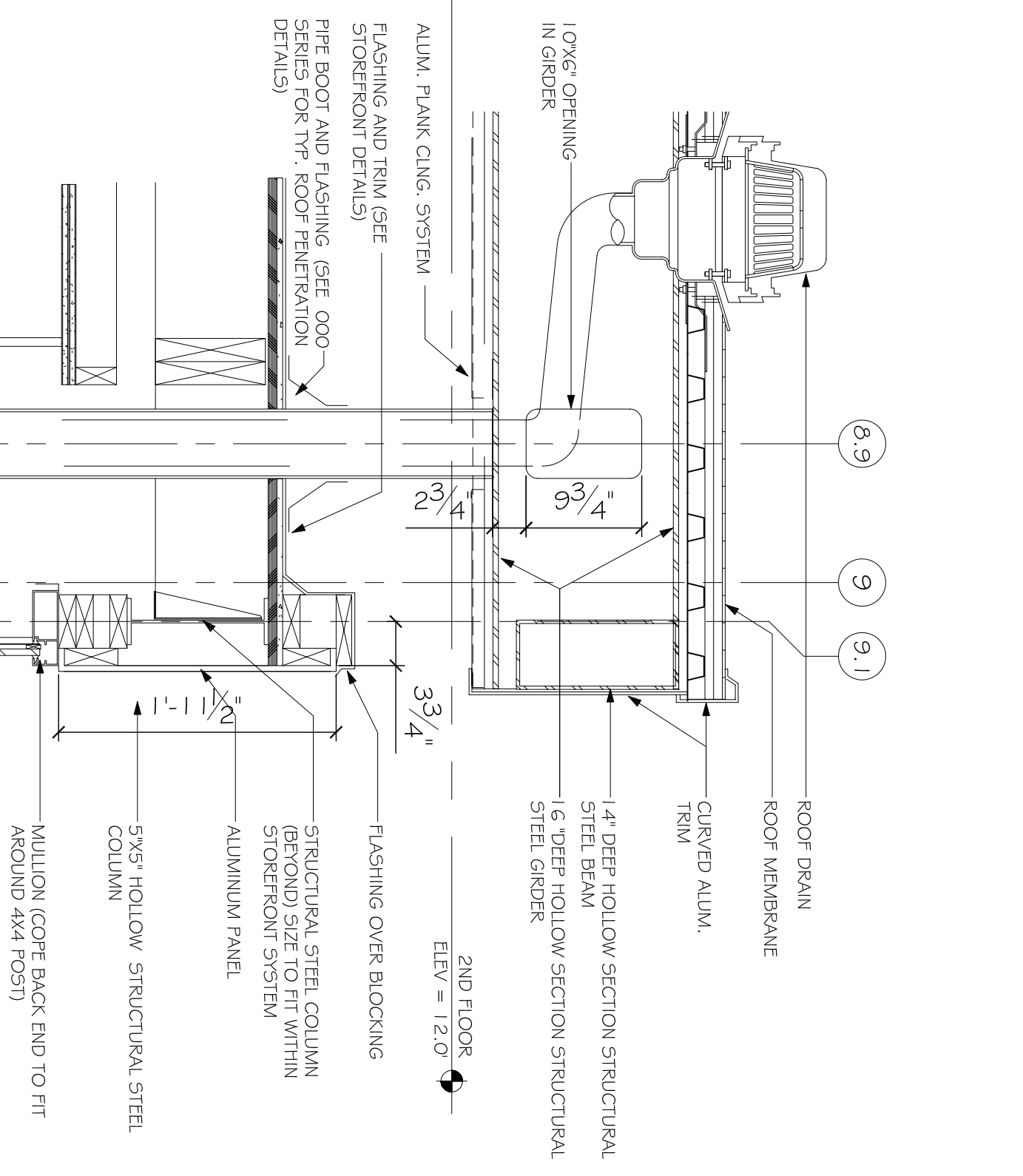
7 573 BEAM CONNECTION & LIGHT COVE
1" = 1'-0"



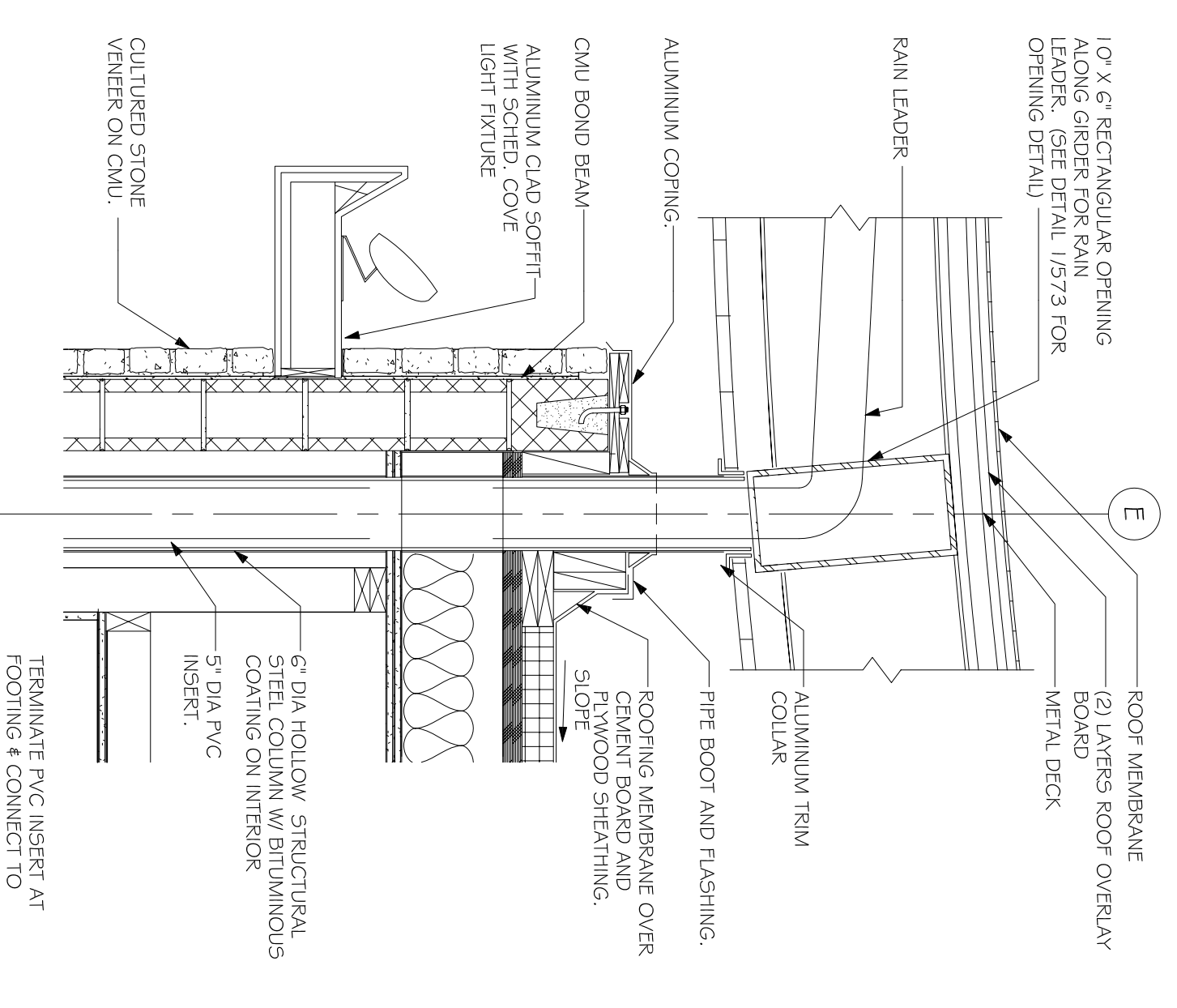
5 573 CONNECTION @ BEARING WALL & FASCIA
1" = 1'-0"



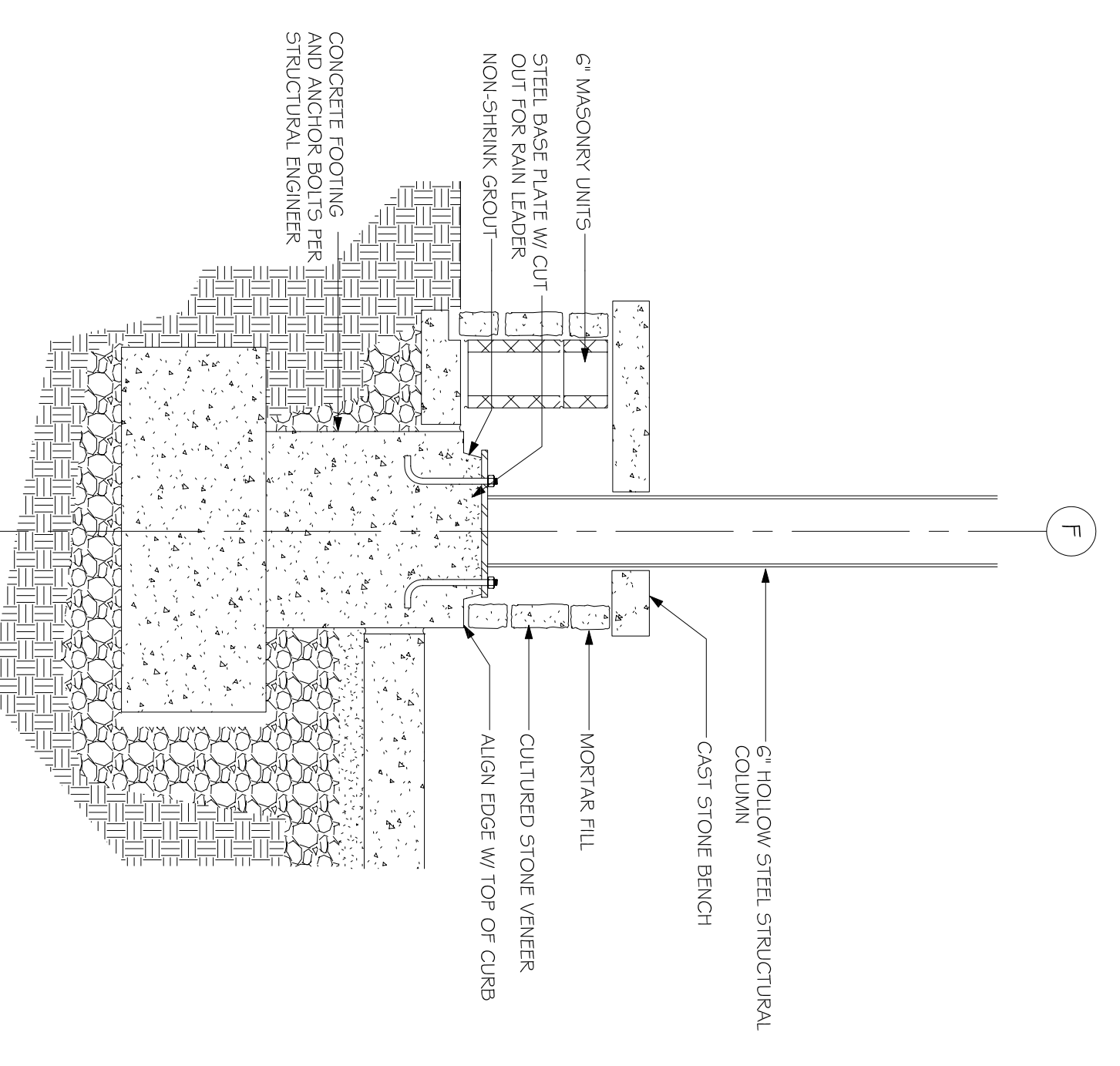
3 573 BEAM CONNECTION AT BEARING WALL
1" = 1'-0"



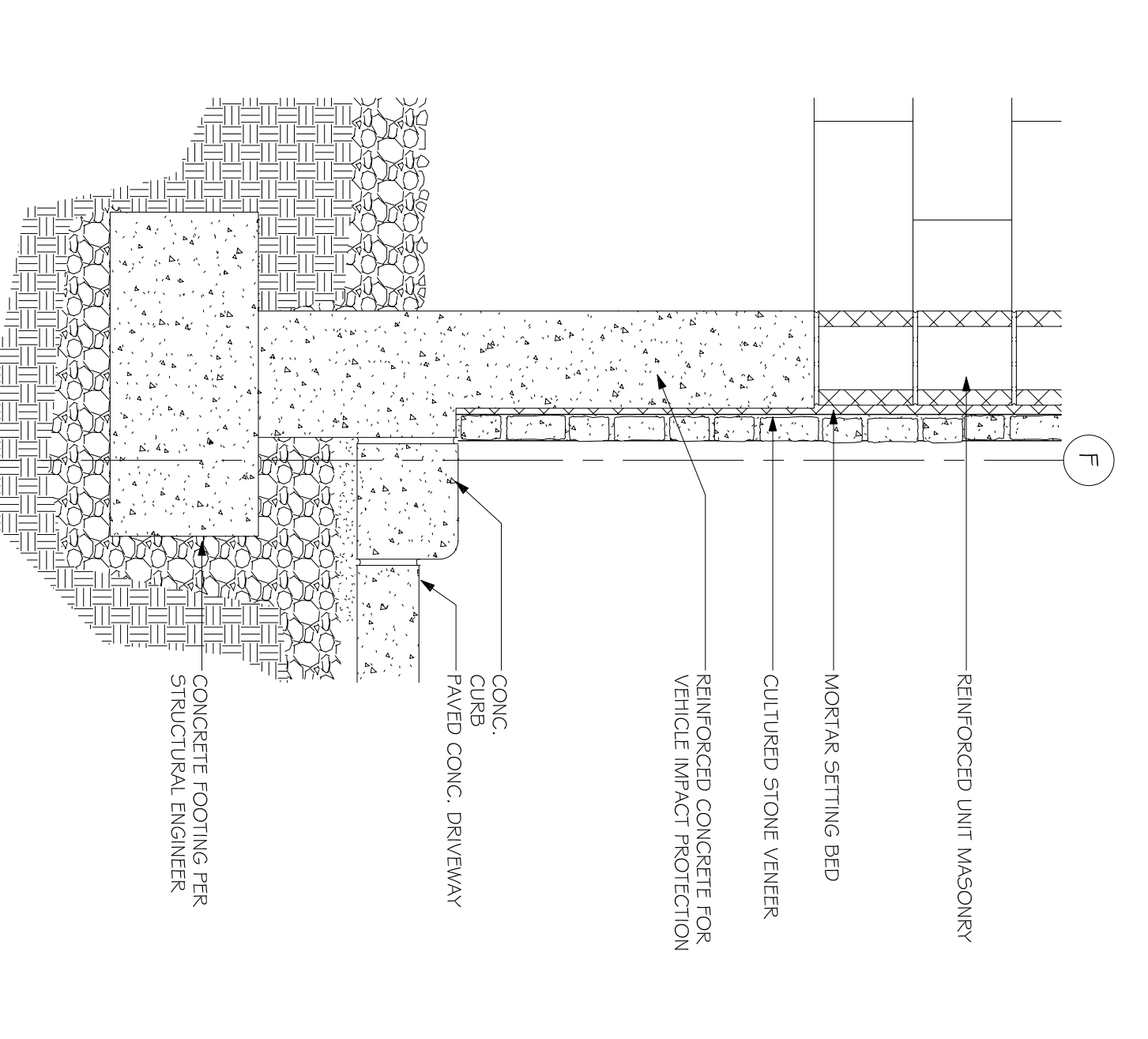
8 573 PORTE COCHERE COLUMN DETAIL @ ENTRY
1" = 1'-0"



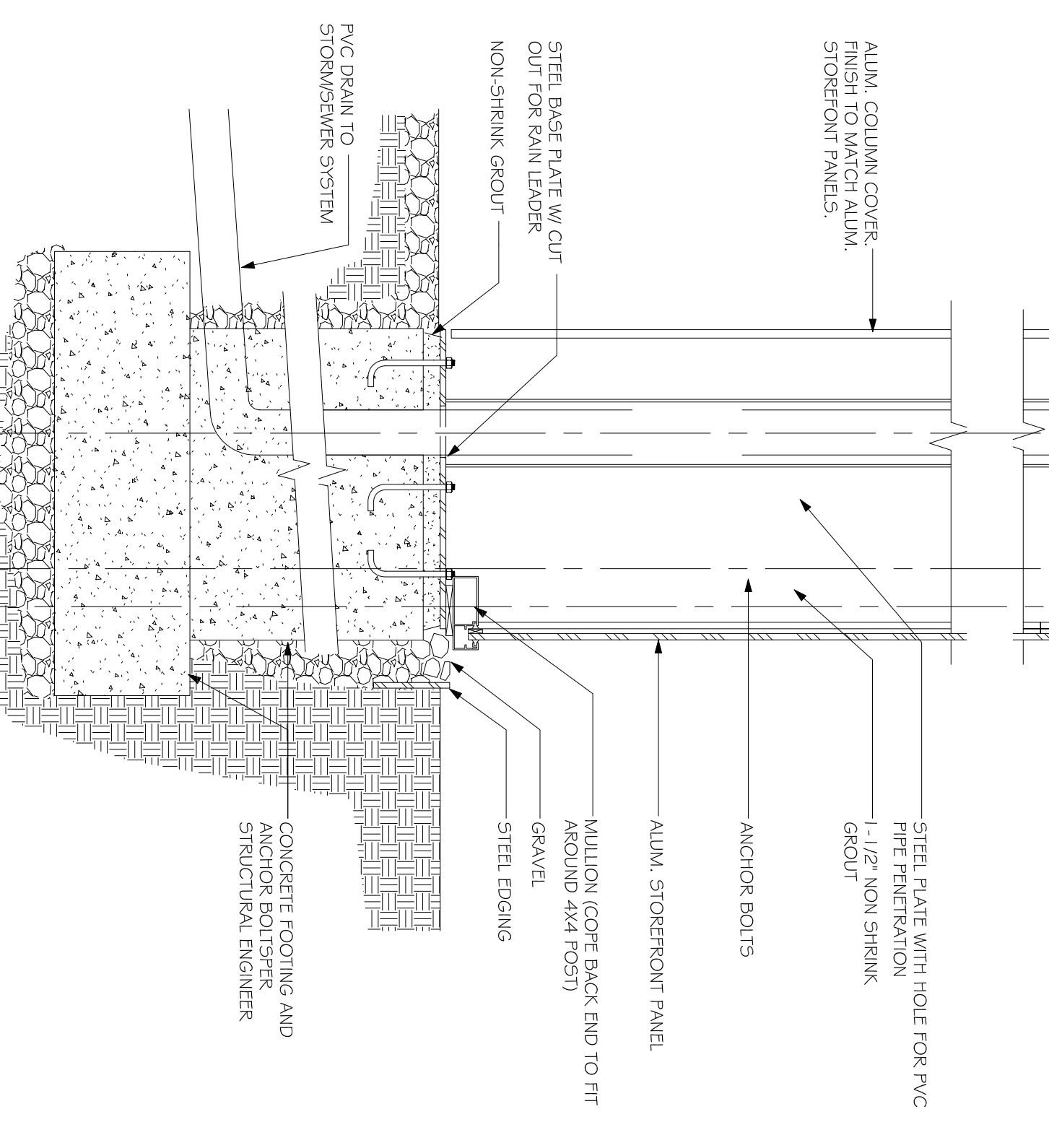
9 573 BEAM CONNECTION @ STONE ENTRY WALL
1" = 1'-0"



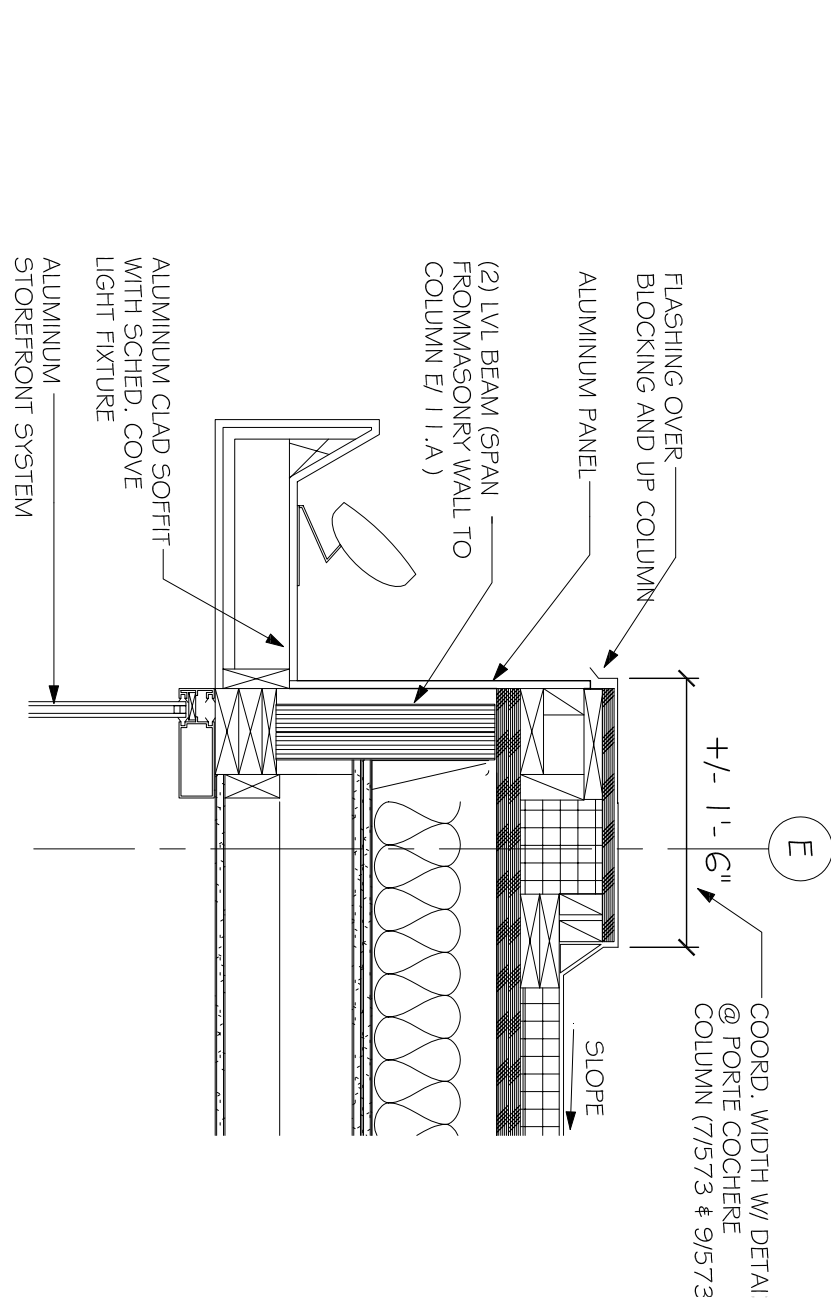
6 573 PORTE COCHERE PRECAST BENCH DETAIL
1" = 1'-0"



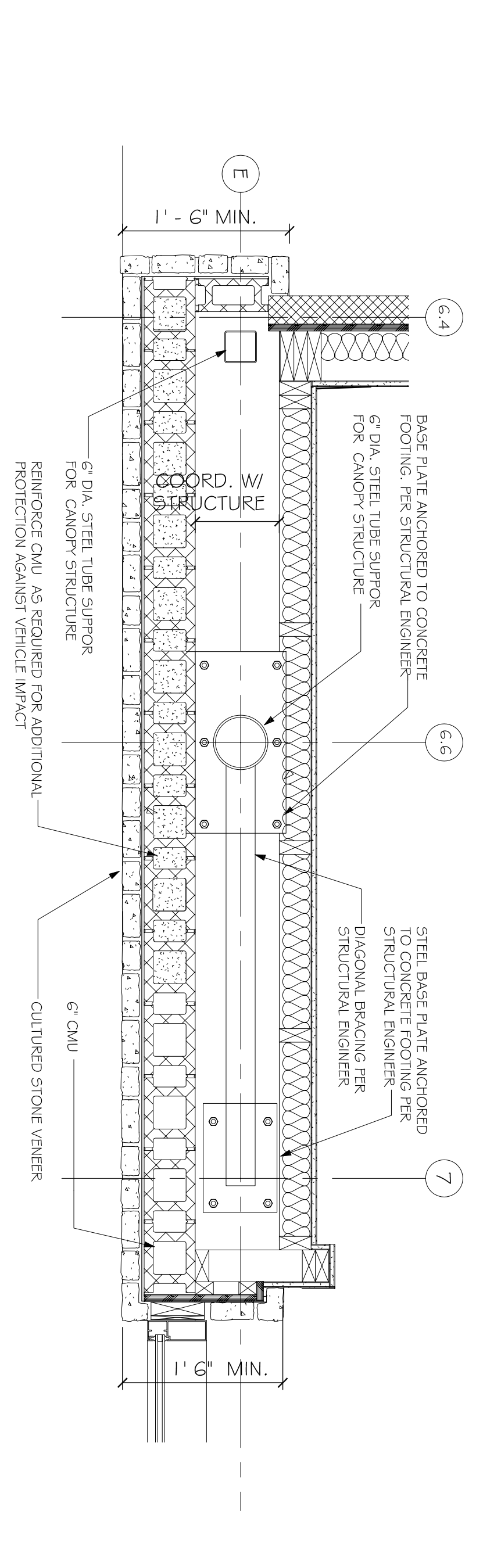
4 573 REINFORCED BEARING WALL FOOTING
1" = 1'-0"



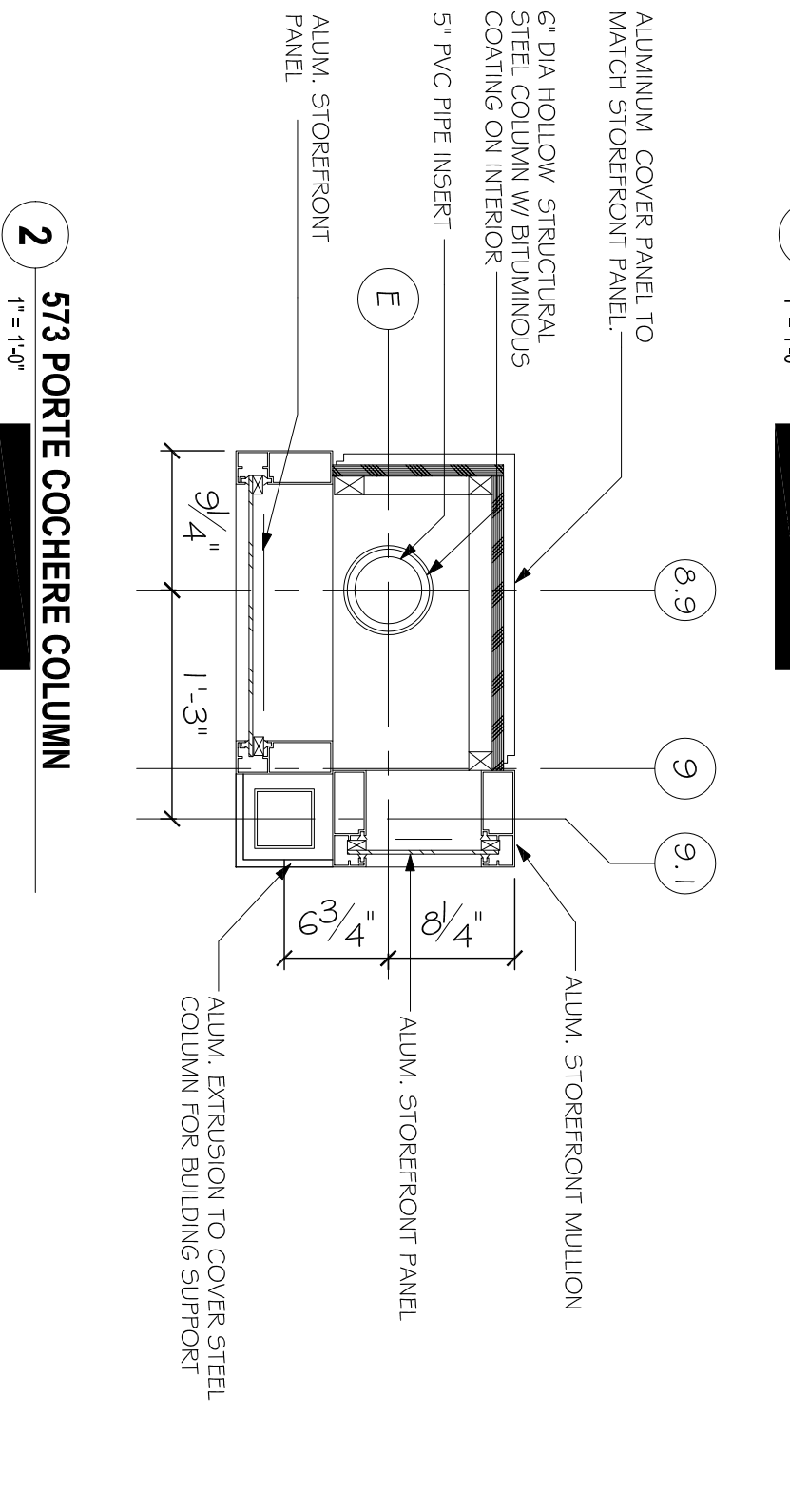
1 573 COLUMN ENCLOSURE @ PORTE COCHERE
1" = 1'-0"



10 573 LIGHT COVE @ STOREFRONT
1" = 1'-0"



8 573 PORTE COCHERE COLUMN DETAIL @ ENTRY
1" = 1'-0"



2 573 PORTE COCHERE COLUMN
1" = 1'-0"

PRELIMINARY (NOT FOR CONSTRUCTION)

REVISIONS		DATE	
#	DESCRIPTION		

FAIRFIELD INNS & SUITES			
019955 CENTRE DRIVE VICKSBURG, MISSISSIPPI 39180			
JOB No:	2181	DATE:	08-01-2013
DRAWN BY:	JTL	CHECKED BY:	CKD

DAMMON
ENGINEERING, INC.
Architects & Engineers

CHIEF ENGINEER: EMMETT DAMMON, P.E.
554 OLD SPANISH TRAIL
SLIDEL, LA 70458

dammonengineering.com
dammoneng@bellsouth.net
PHONE: 985-649-5832
FAX: 985-641-5990

SHEET No: 00 OF 00
A14

PORTE COCHERE
DETAILS