

REFERENCE NOTES

REFER TO DESIGN AND CONSTRUCTION STANDARDS FOR MINIMUM STIC RATINGS FOR ALL SPACES.
SEE BUILDING SECTIONS FOR ASSEMBLIES NOT INDICATED HERE.
ASSEMBLIES INDICATED HERE ARE APPROVED BY HARBORT, OTSMAN APPROVAL FROM HARBORT IF ANY DEVIATION FROM THESE ASSEMBLIES IS DESIRED OR REQUIRED BY LOCAL JURISDICTION.
REMOVE LEVEL 5 FINISH ON ALL G/F, BD, PARTITIONS IN LOBBY.
G/F, BD, PARTITIONS TO BE ADJUSTURE & MODIFIED RESISTANT TYPE IN BATHROOMS AND TOOL ROOMS.
FIT INSULATION TIGHTLY BETWEEN STUDS AND SECURELY FASTEN TO STUDS.
FASSTEN RESISTANT CHANNEL TO STUDS USING SOUND ISOLATION CUP.
SEE FINISH PLAN FOR TYPE & LOCATION OF BASE & FIN. FLOOR.
USE PRESSURE TREATED WOOD FOR BOT PLATES ON GROUND FLOOR.
VERIFY U.L. LISTINGS FOR ALL RATED WALLS, AND PRODUCTS REQUIRED FOR COMPLIANCE.
9000 SERIES & SHEATHING NOTED FOR GENERAL REQUIREMENTS ONLY. ALL SHEATHING STRUCTURE INCLUDING BUT NOT LIMITED TO STUD SIZES & SHEATHING TO BE DESIGNED BY REGISTERED ENGINEER.
VERIFY USE OF WALL HEAD COMPENSATING TRACK AT NON-BEARING WALLS WITH ENGINEER.

UNDEWRITERS LABORATORIES, FIRE RESISTANCE DESIGNER - VOLUME 1, 2000.

GPRISM ASSOCIATION, GA-600, 2000 FIRE RESISTANCE DESIGN MANUAL, 1.6TH EDITION.

SEE COVER SHEET FOR INFORMATION REGARDING THE INTENT AND LIMITATIONS OF THIS DOCUMENT.

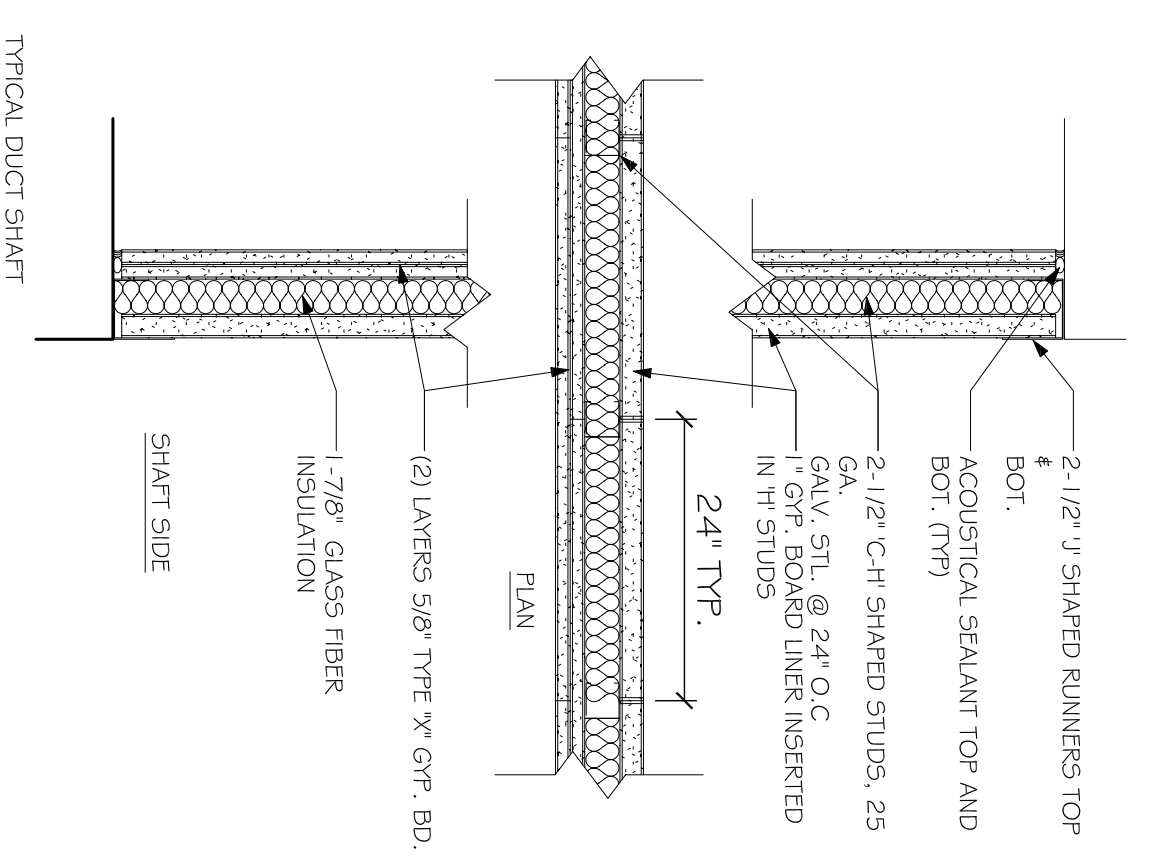
GA FILE NUMBERS ARE FROM GPRISM ASSOCIATION FIRE RESISTANCE DESIGN MANUAL, 1.7TH EDITION, 2003.

FIRE RESISTANCE RATING INDICATED ARE MINIMUMS TO BE PROVIDED. CONFIRM WITH LOCAL JURISDICTION IF MORE STRINGENT REQUIREMENTS ARE REQUIRED IN ANY GIVEN AREA. REV. 1, 8/2011. NOTED TO BE DESIGNER ASSEMBLY TO BE UTILIZED.

STIC AND UIC RATINGS INDICATED ARE MINIMUMS TO BE PROVIDED. CONFIRM WITH LOCAL JURISDICTION IF MORE STRINGENT REQUIREMENTS ARE REQUIRED AT ANY GIVEN WALL ASSEMBLY.

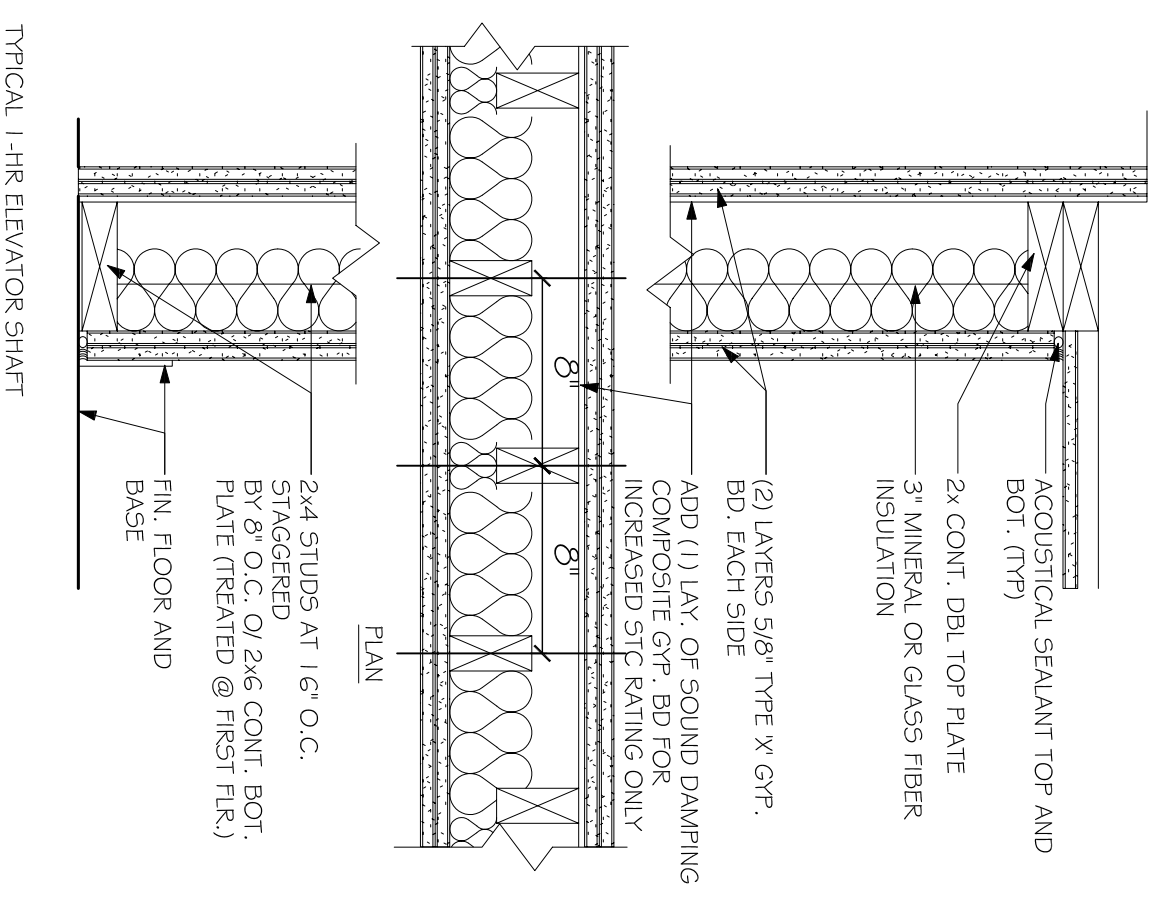


CHIEF ENGINEER: EMMETT DAMMON, P.E.
554 OLD SPANISH TRAIL
SLUDEL, LA 70456
dammonengineering.com
dammoneng@bellsouth.net
PHONE: 985-649-5832
FAX: 985-641-5990



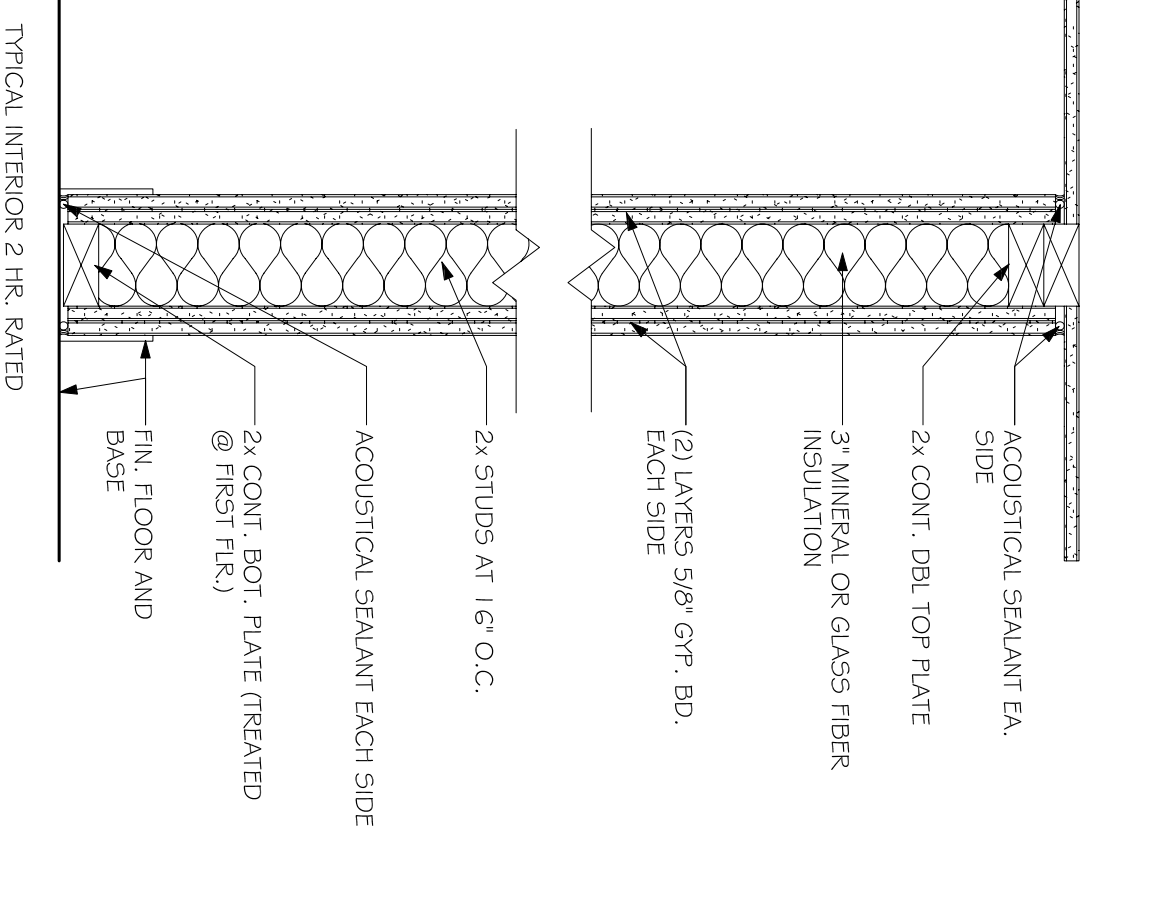
PARTITION TYPE: N

2 HR. NON-BEARING SHAFT WALL
SCALE: 1-1/2" = 1'-0"
UL DESIGN NO.: 14115
GA FILE NO.:
STIC RATING:



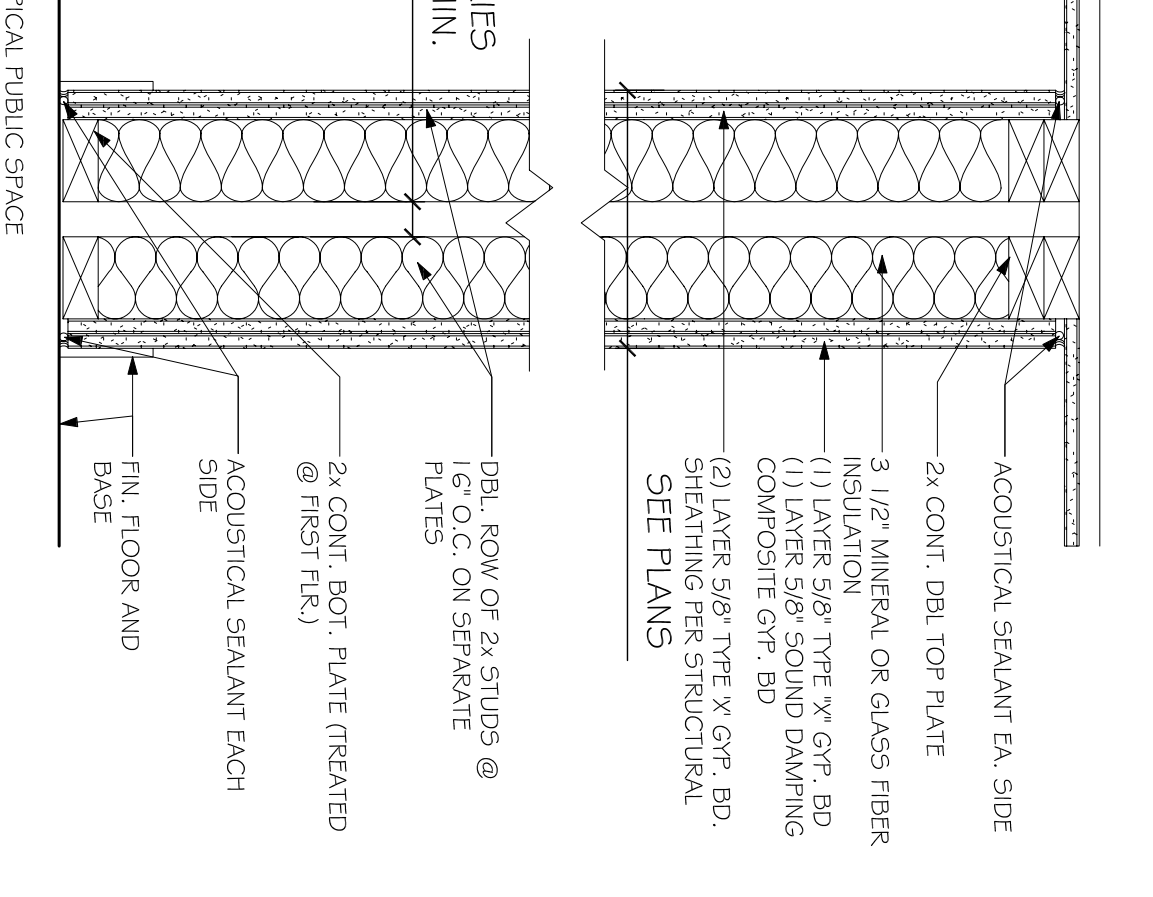
PARTITION TYPE: M

1-HR RATED, NON-BEARING, SHAFT WALL
SCALE: 1-1/2" = 1'-0"
UL DESIGN NO.:
GA FILE NO.: WP-3910
STIC RATING: 50-54(+)



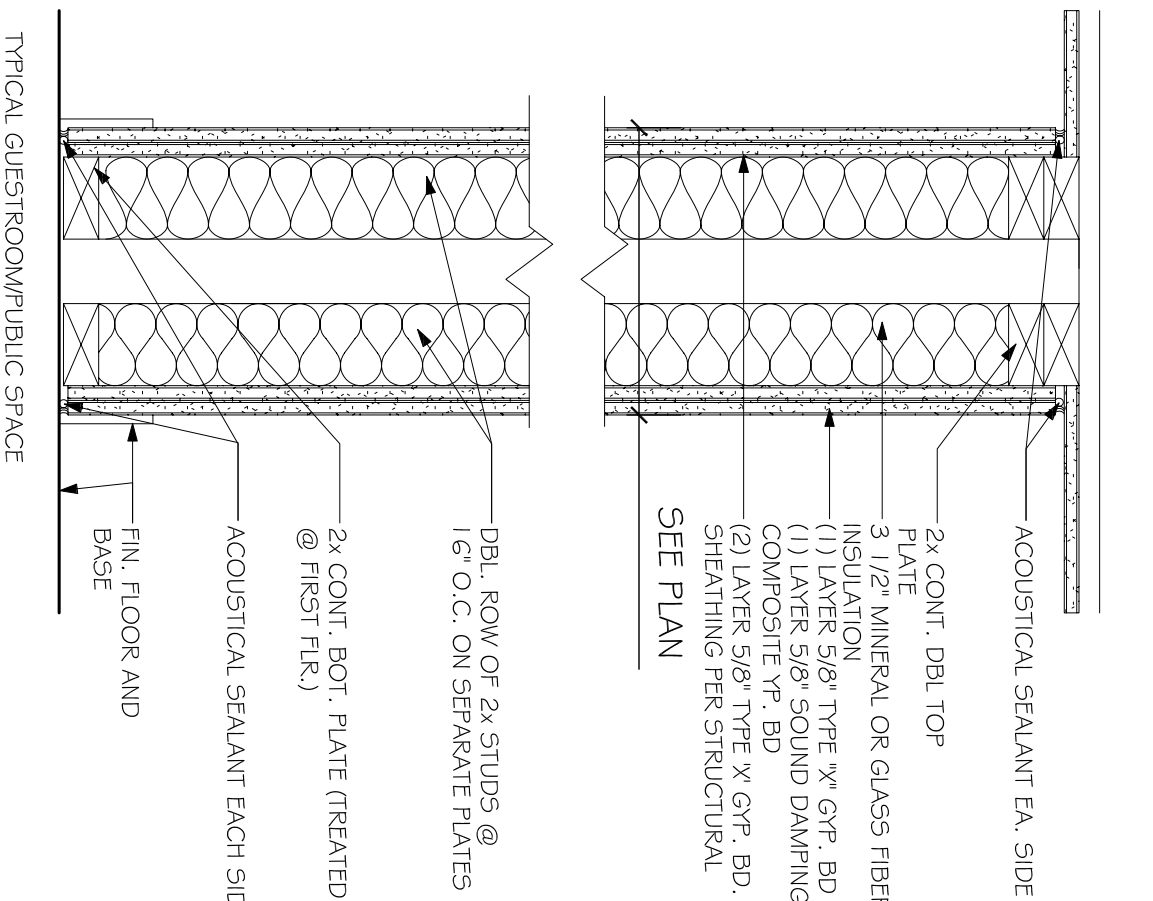
PARTITION TYPE: H

2-HR RATED, BEARING, INTERIOR PARTITION
SCALE: 1-1/2" = 1'-0"
UL DESIGN NO.: 13036
GA FILE NO.: WP-4135
STIC RATING: 40-44



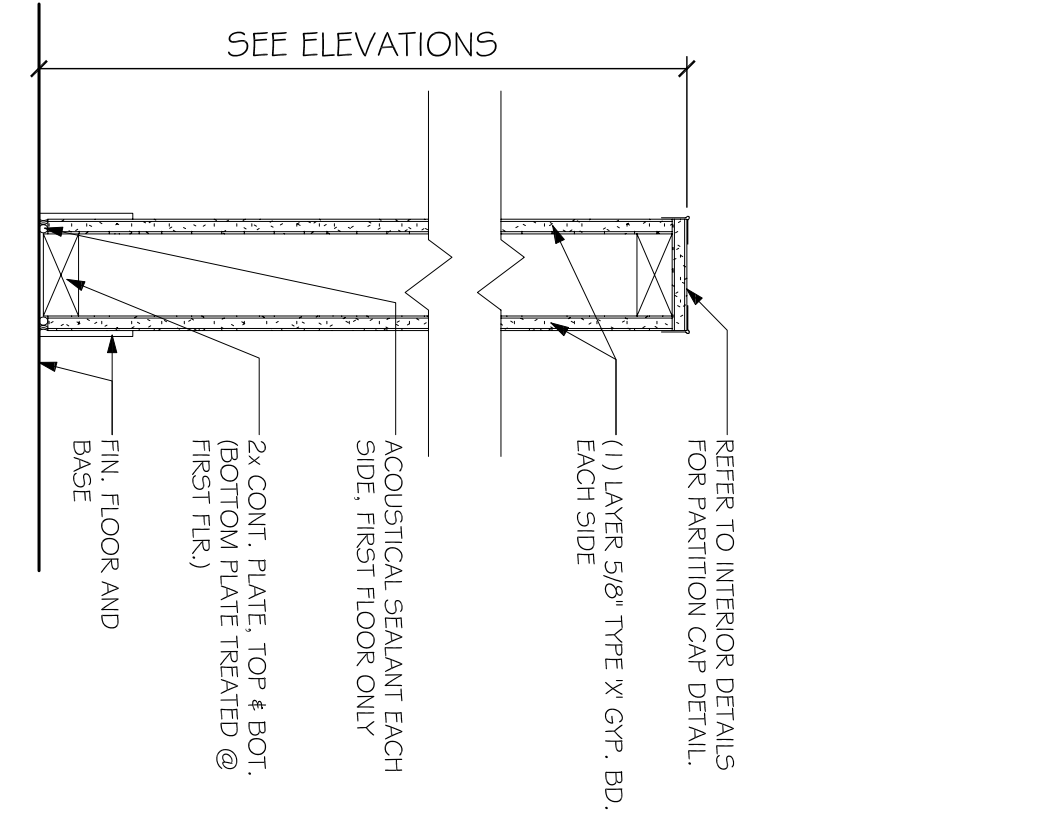
PARTITION TYPE: G

2-HR RATED, BEARING, INTERIOR PARTITION
SCALE: 1-1/2" = 1'-0"
UL DESIGN NO.: 13039
GA FILE NO.: WP-3510
STIC RATING: 63 MIN.
UL TESTS: 10-0910



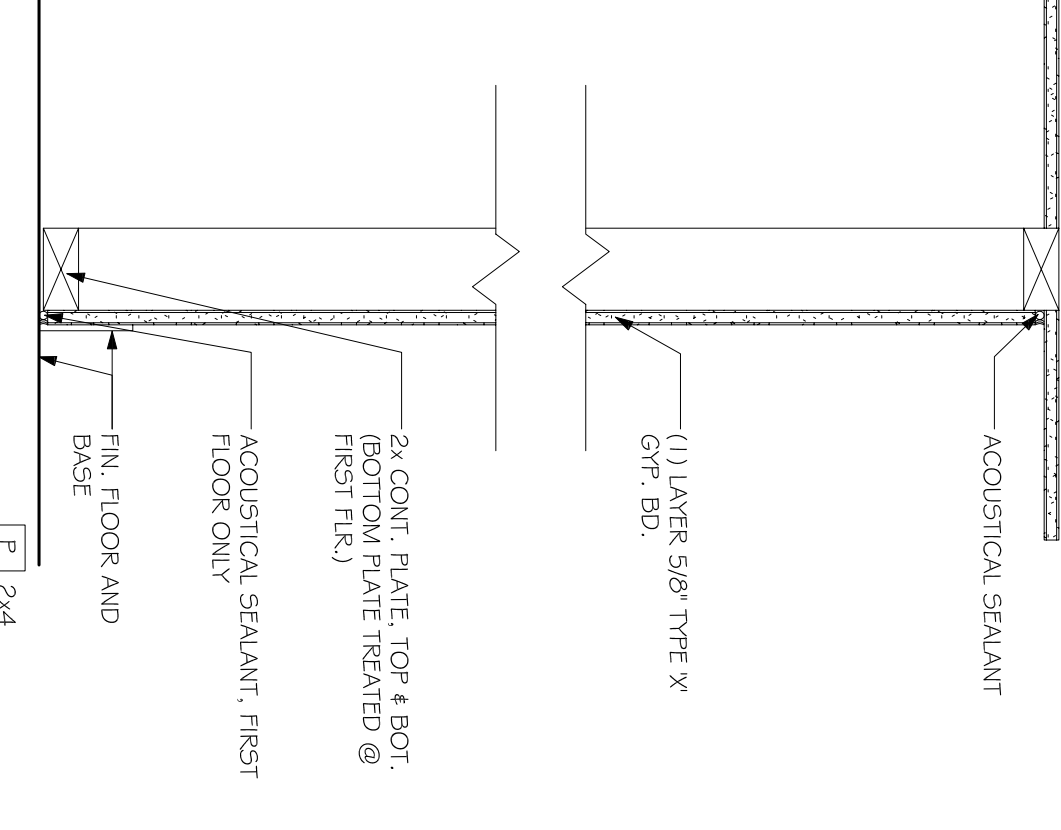
PARTITION TYPE: F.1

2-HR RATED, BEARING, INTERIOR PARTITION
SCALE: 1-1/2" = 1'-0"
UL DESIGN NO.: 13224
GA FILE NO.: WP-3620
STIC RATING: 63 MIN.
UL TESTS: 10-910



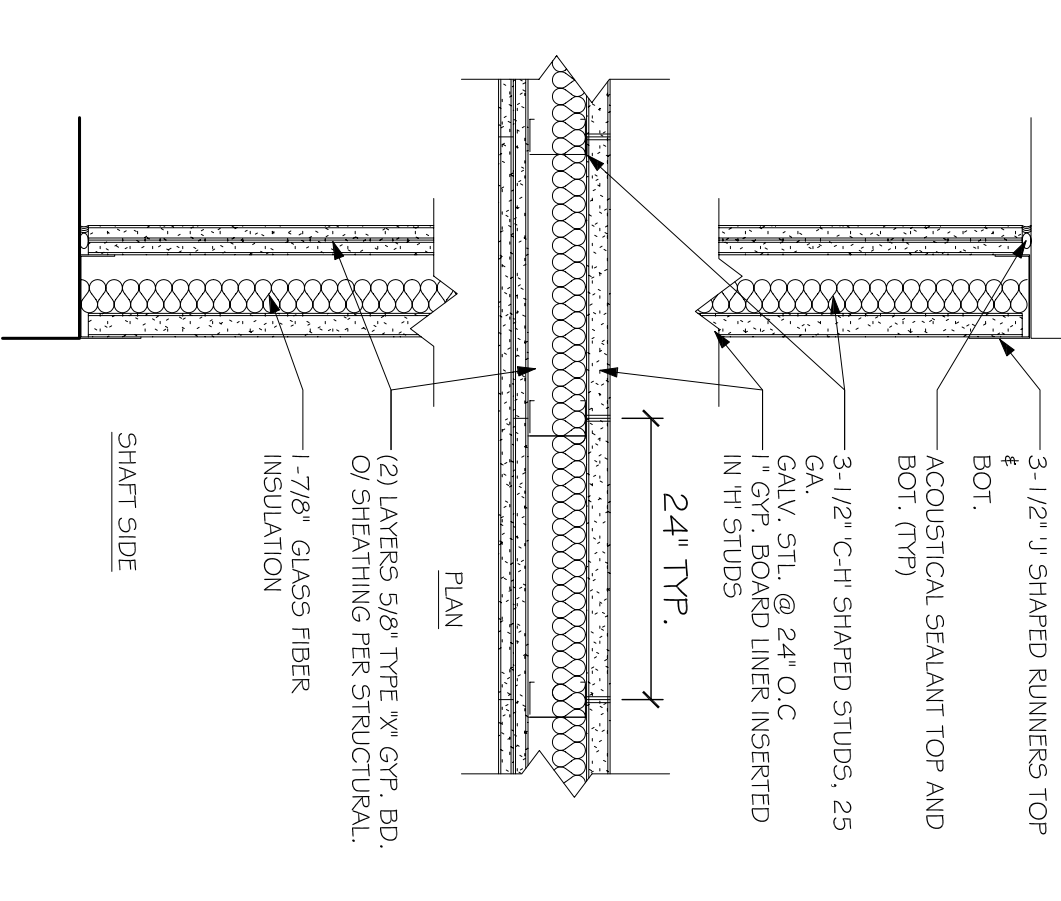
PARTITION TYPE: Q

PARTIAL HEIGHT, NON-BEARING, NON-BEARING, INTERIOR PARTITION
SCALE: 1-1/2" = 1'-0"
STIC RATING: 35-39 EST.



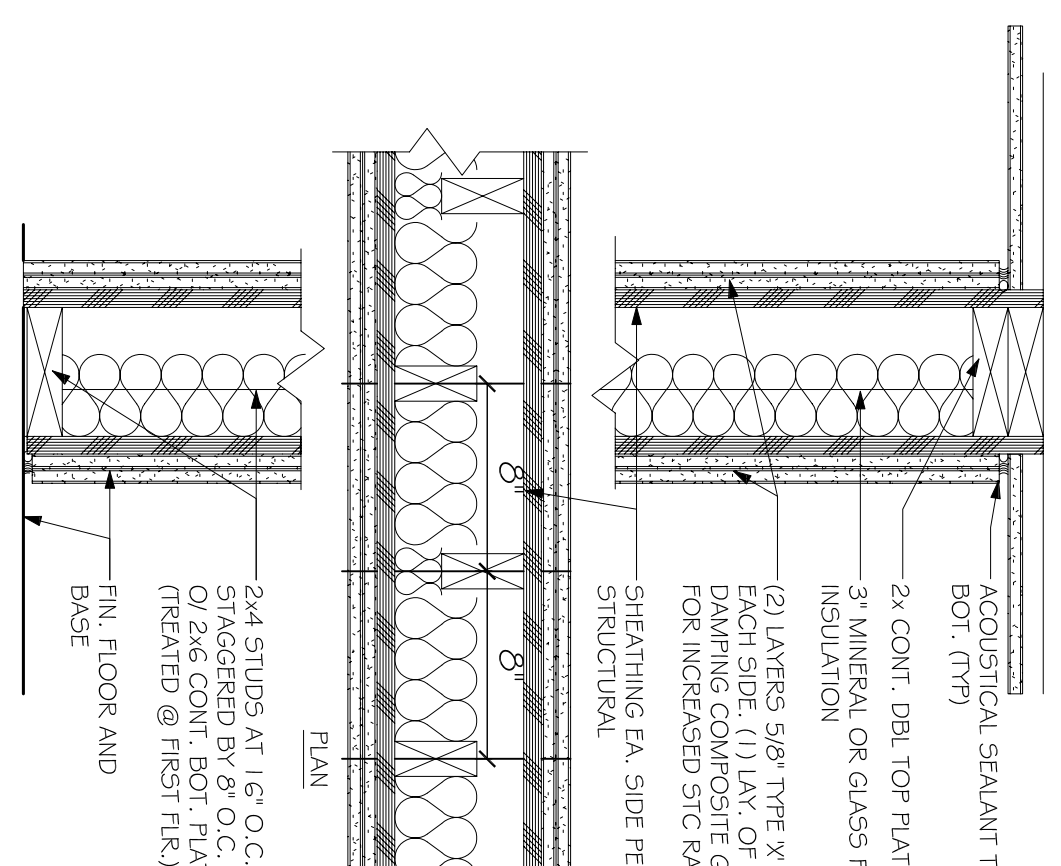
PARTITION TYPE: P

NON-RATED, NON-BEARING, FIRE-CUT
SCALE: 1-1/2" = 1'-0"
STIC RATING: 35-39 EST.



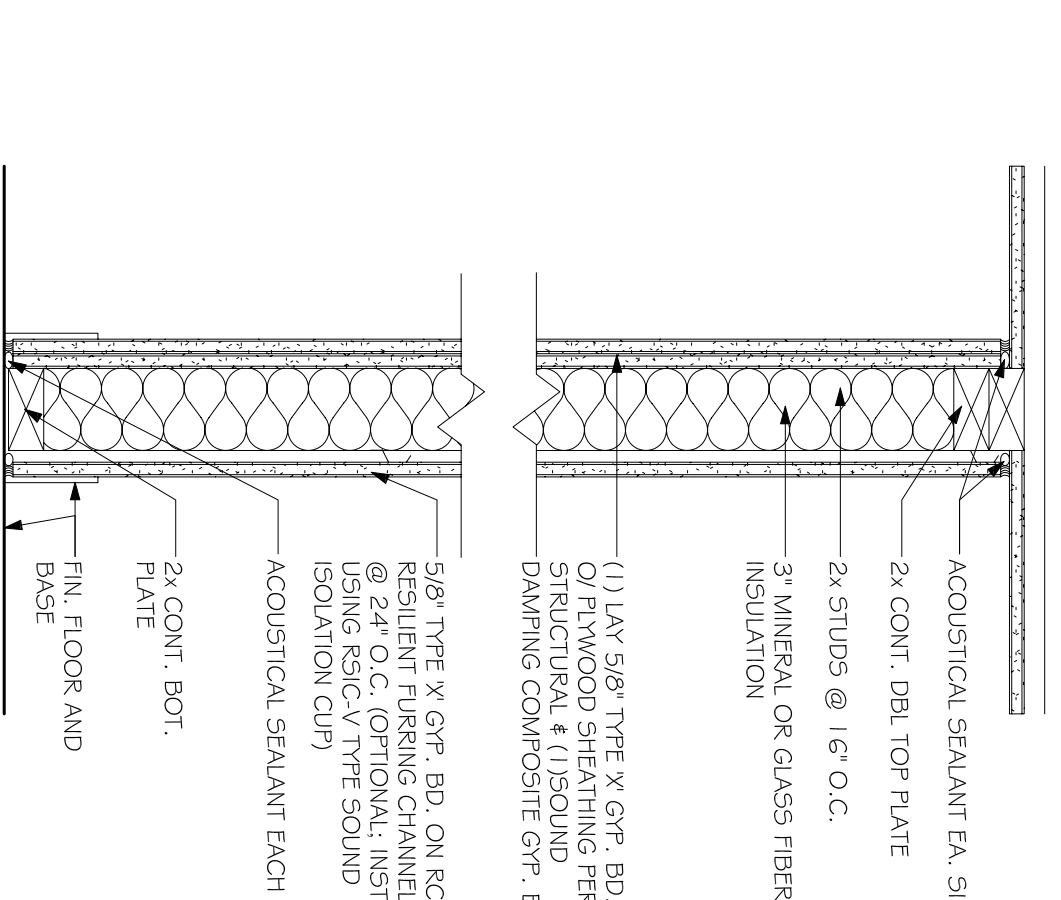
PARTITION TYPE: K

2 HR., BEARING, SHAFT WALL
SCALE: 1-1/2" = 1'-0"
UL DESIGN NO.: 14136
GA FILE NO.:
STIC RATING:



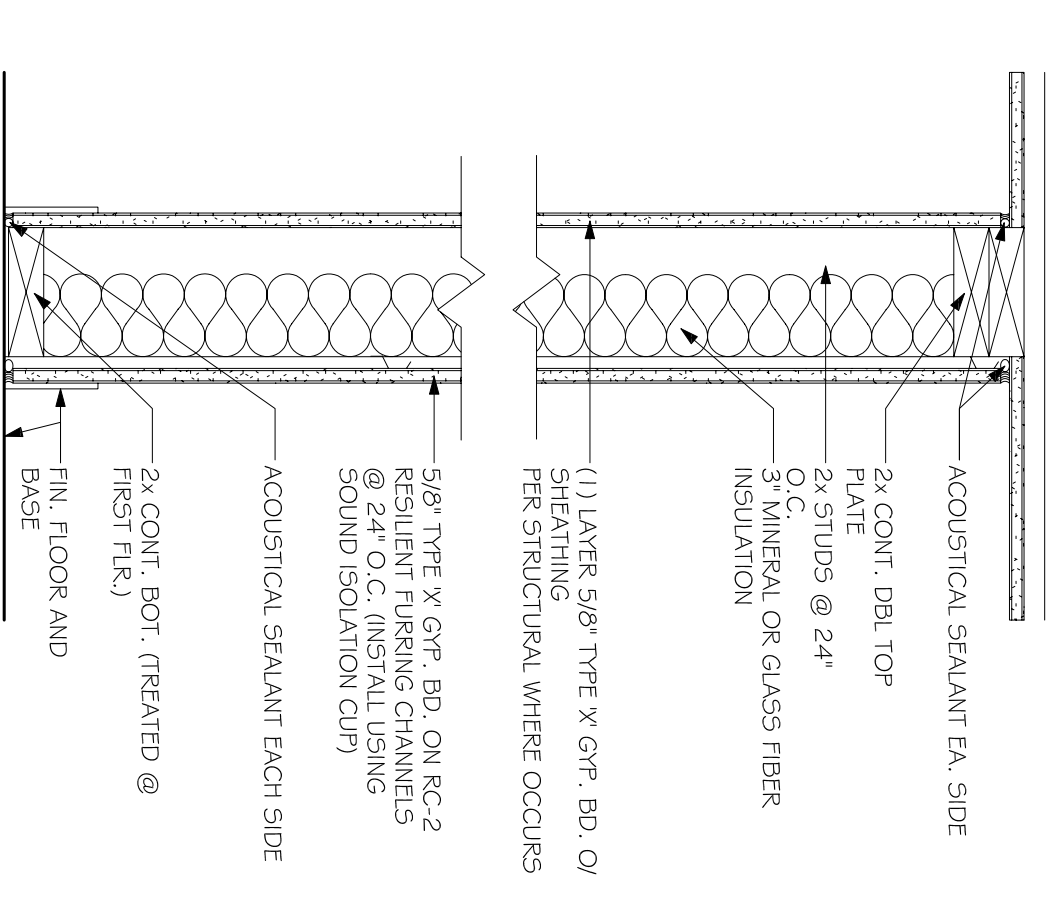
PARTITION TYPE: E

1-HR RATED, NON-BEARING, SHAFT WALL
SCALE: 1-1/2" = 1'-0"
UL DESIGN NO.:
GA FILE NO.: WP-3910
STIC RATING: 50-54(+)



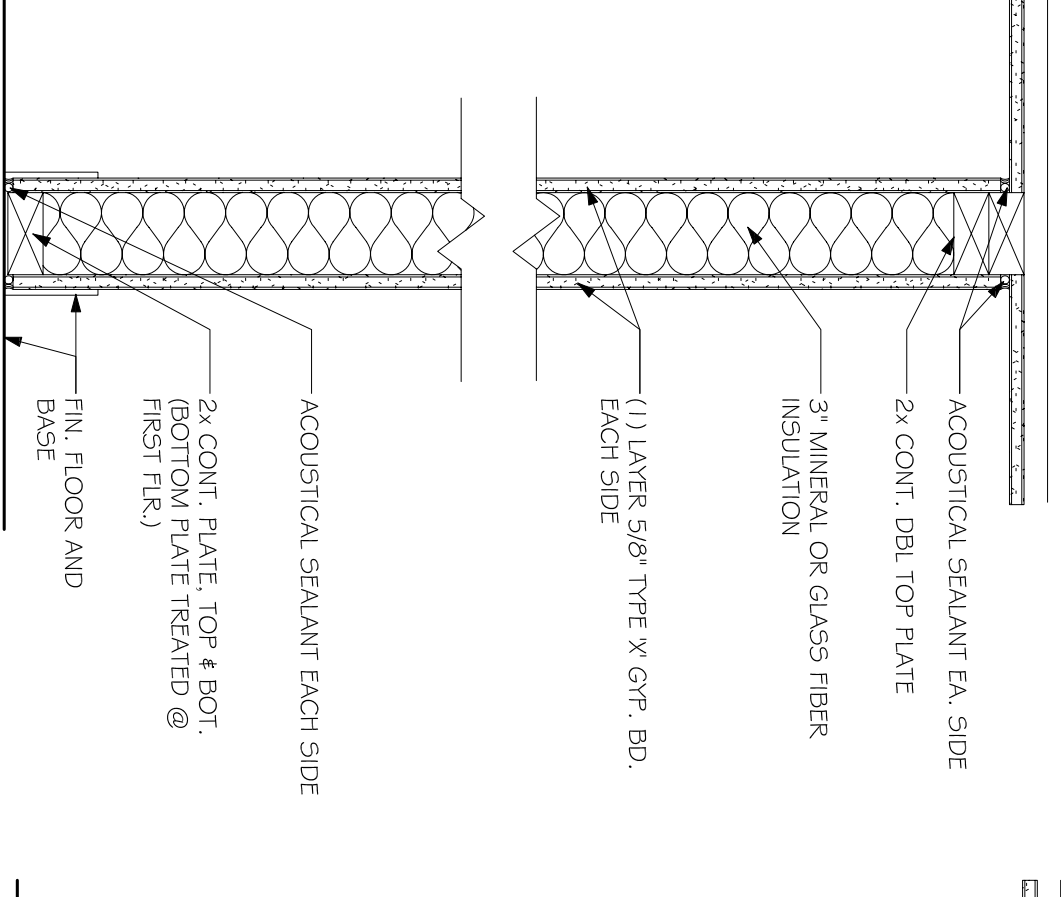
PARTITION TYPE: D

1-HR RATED, BEARING, INTERIOR PARTITION, SHEAR ONE OR NO SIDE
SCALE: 1-1/2" = 1'-0"
UL DESIGN NO.: 11305
GA FILE NO.: WP-3514
STIC RATING: 59 MIN.
UL TESTS: 10-1020



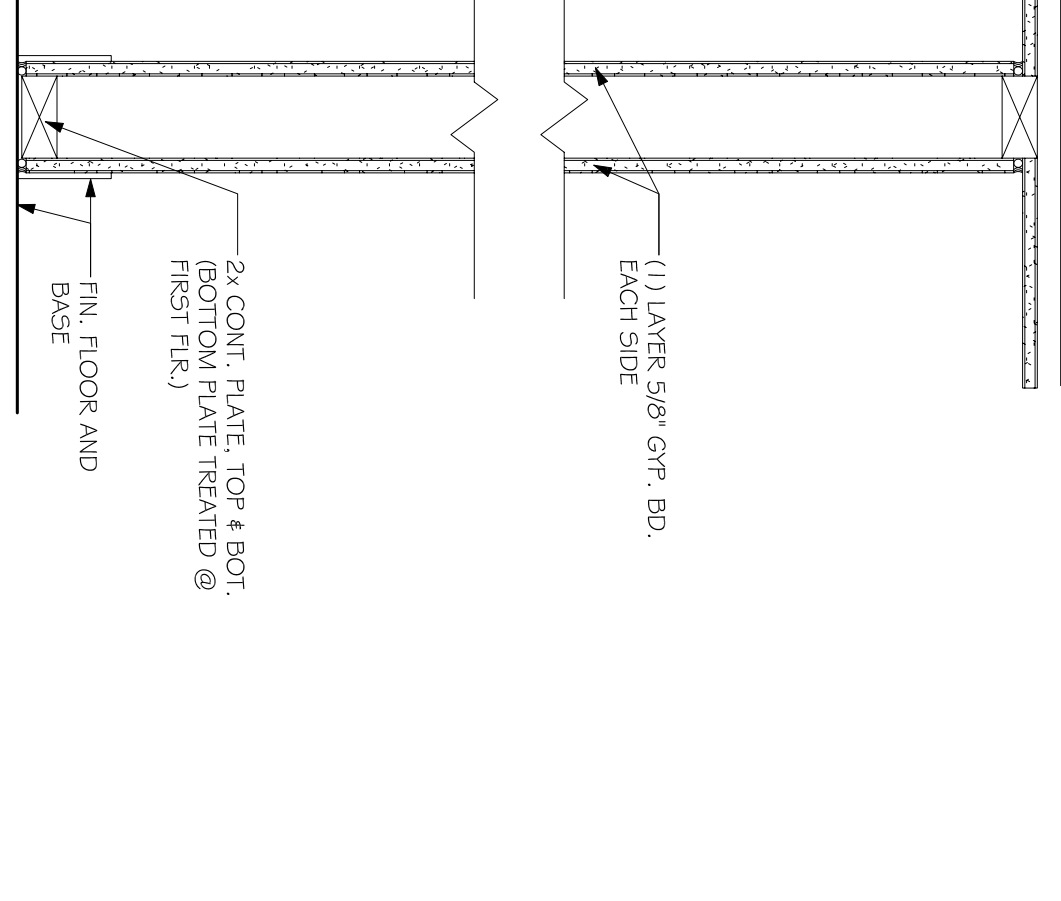
PARTITION TYPE: C

1-HR RATED, BEARING, INTERIOR PARTITION, SHEAR ONE OR NO SIDE
SCALE: 1-1/2" = 1'-0"
UL DESIGN NO.: 11305
GA FILE NO.: WP-3243
STIC RATING: 50



PARTITION TYPE: B

1-HR RATED, NON-BEARING, INTERIOR PARTITION
SCALE: 1-1/2" = 1'-0"
UL DESIGN NO.: 11305
GA FILE NO.: WP-3510
STIC RATING: 35-39



PARTITION TYPE: A

NON-RATED, NON-BEARING, INTERIOR PARTITION
SCALE: 1-1/2" = 1'-0"
STIC RATING: 35-39 EST.

PRELIMINARY (NOT FOR CONSTRUCTION)

REVISIONS	DATE	DESCRIPTION

FAIRFIELD INNS & SUITES	
CYPRESS CENTRE DRIVE VICKERSBURG, MISSISSIPPI 39180	
JOB No: 2181	DATE: 08-01-2013
DRAWN BY: JTL	CHECKED BY: CKD

GENERAL WALL PARTITION ASSEMBLIES
SHEET NO: 00 OF 00
G2