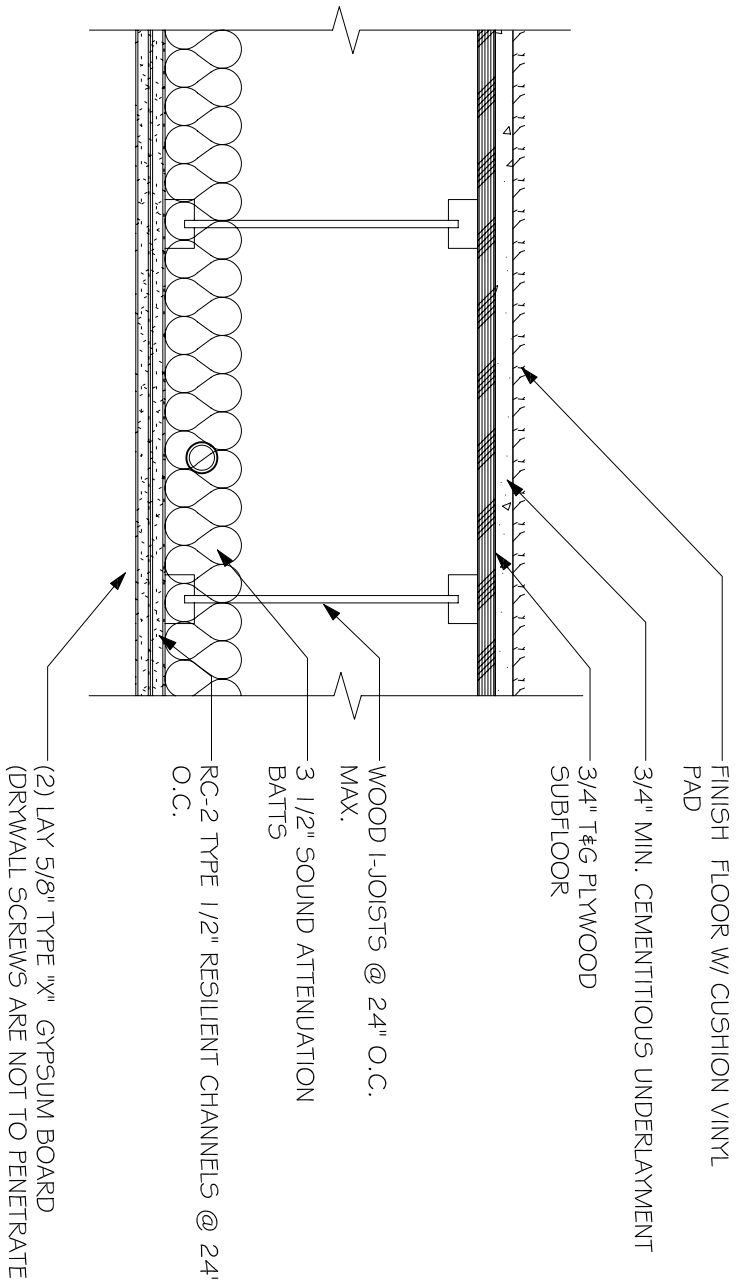
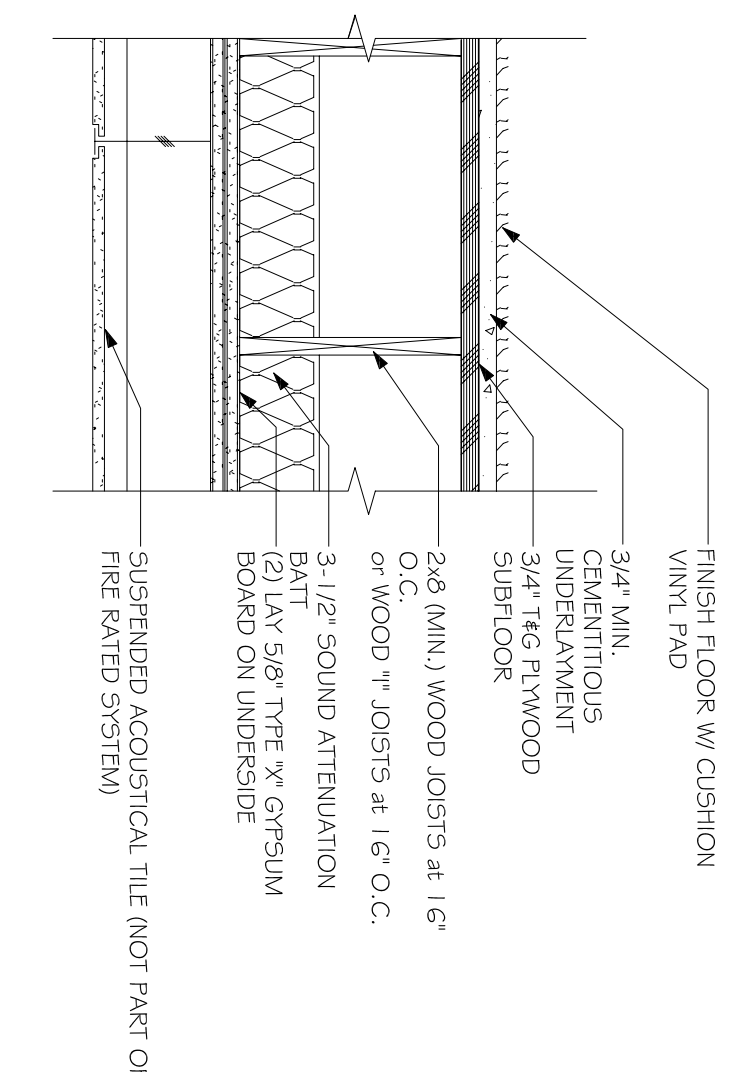


REFERENCE NOTES

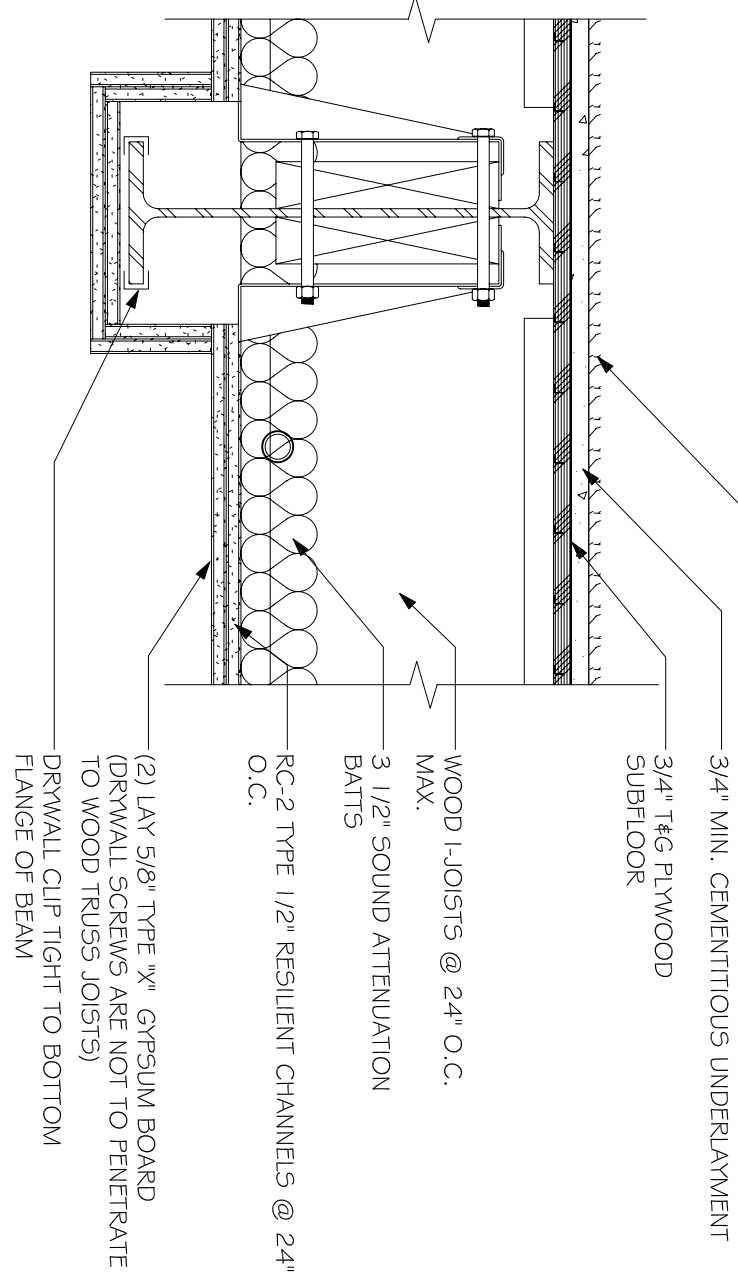
- A. REFER TO DESIGN AND CONSTRUCTION STANDARDS FOR MINIMUM STIC RATINGS FOR ALL STRUCTS.
- B. SEE BUILDING SECTIONS FOR ASSEMBLIES NOT INDICATED HERE.
- C. ASSEMBLIES INDICATED HERE ARE APPROVED BY MARRIOTT. OBTAIN APPROVAL FROM MARRIOTT IF ANY DEVIATION FROM THESE ASSEMBLIES IS DESIRED OR REQUIRED BY LOCAL JURISDICTION.
- D. PROVIDE LEVEL 5 FINISH ON ALL G/F. BD. PARTITIONS IN LOBBY.
- E. GYPSUM BOARD TO BE MOISTURE & MOLD RESISTANT TYPE IN BATHROOMS AND TOILETS.
- F. FIT INSULATION TIGHTLY BETWEEN STUDS AND SECURELY FASTEN TO STUDS.
- G. FASTEN RESISTANT CHANNEL TO STUDS USING SOUND ISOLATION CLIP.
- H. SEE FINISH PLAN FOR TYPE & LOCATION OF BASE & FIN. FLOOR.
- I. USE PRESSURE TREATED WOOD FOR BOT PLATS ON GROUND FLOOR.
- J. VERIFY ULL LISTINGS FOR ALL RATED WALLS AND PRODUCTS REQUIRED FOR COMPLIANCE.
- K. STUD SIZES, SHEATHING NOTED FOR GENERAL REQUIREMENTS ONLY. ALL SUPPORT STRUCTURE INCLUDING BUT NOT LIMITED TO STUD SIZES & SHEATHING TO BE DESIGNED BY REGISTERED ENGINEER.
- L. VERIFY USE OF WALL HEAD COMPENSATING TRACK AT NON-BEARING WALLS WITH ENGINEER.
- M. UNDERWRITERS LABORATORIES, FIRE RESISTANCE DIRECTOR - VOLUME 1, 2000.
- N. GYPSUM ASSOCIATION, GA-600-2000 FIRE RESISTANCE DESIGN MANUAL, 16TH EDITION.
- O. SEE COVER SHEET FOR INFORMATION REGARDING THE INTENT AND LIMITATIONS OF THIS DOCUMENT.
- P. GA FILE NUMBERS ARE FROM GYPSUM ASSOCIATION FIRE RESISTANCE DESIGN MANUAL, 17TH EDITION, 2003.
- Q. FIRE RESISTIVE RATING INDICATED ARE MINIMUMS TO BE PROVIDED. CONFIRM WITH LOCAL JURISDICTION IF MORE STRINGENT REQUIREMENTS ARE REQUIRED AT ANY GIVEN LOCATION. ASK ARCHITECT TO DETERMINE ASSEMBLY TO BE UTILIZED.
- R. STIC AND IC RATINGS INDICATED ARE MINIMUMS TO BE PROVIDED. CONFIRM WITH LOCAL JURISDICTION IF MORE STRINGENT REQUIREMENTS ARE REQUIRED AT ANY GIVEN WALL ASSEMBLY.



1 HR. RATED FLOOR/CEILING  
BASED ON UL DESIGN 1544 ACOUSTICAL TEST REPORT IN96-30, BY INTER, INC. IC - 50 WITH CUSHION VINYL



2 HR. RATED FLOOR/CEILING  
BASED ON UL DESIGN 1544 ACOUSTICAL TEST REPORT IN96-30, BY INTER, INC. IC - 50 WITH CUSHION VINYL

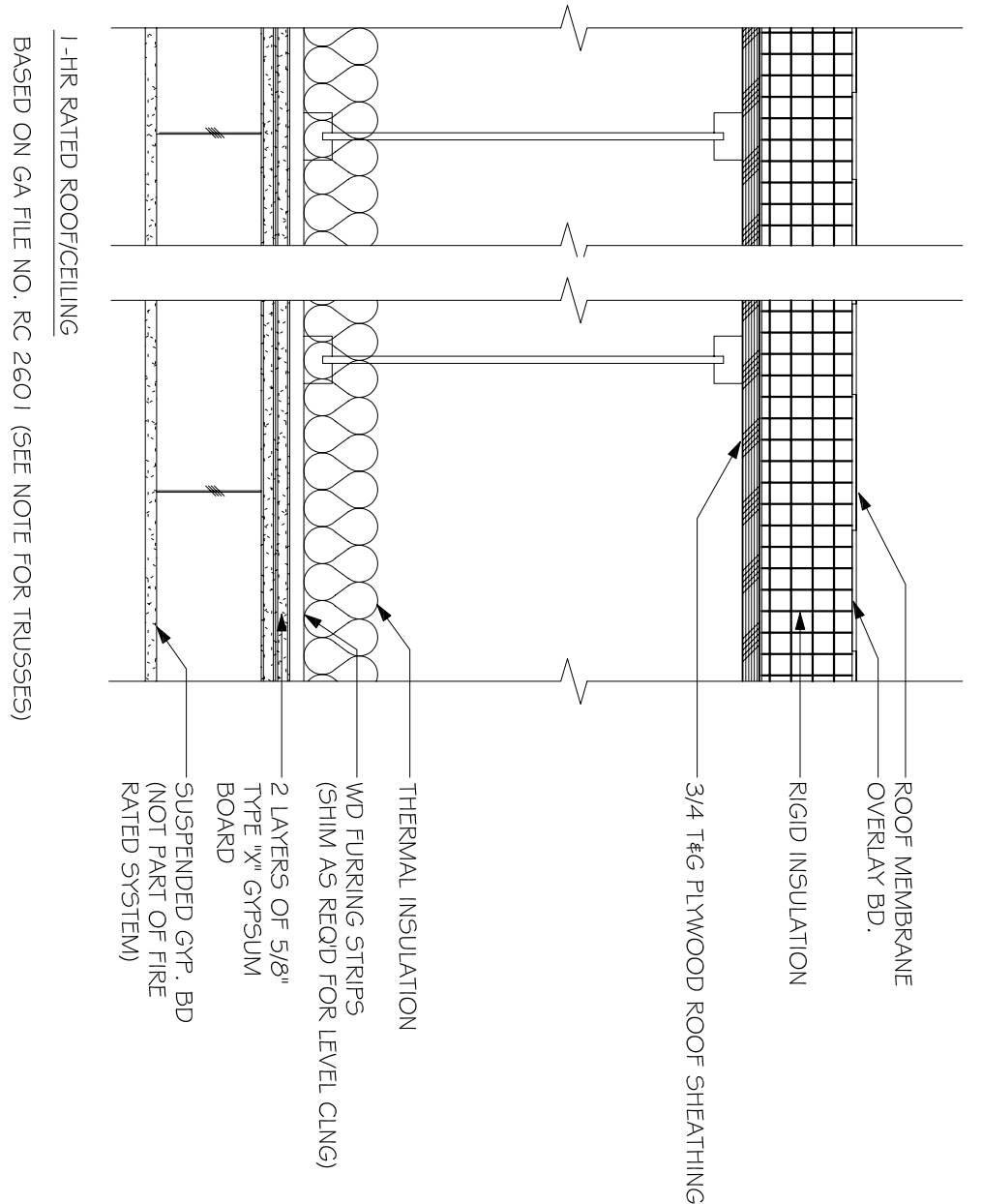


3 HR. RATED FLOOR/CEILING  
BASED ON UL DESIGN 1544 ACOUSTICAL TEST REPORT IN96-30, BY INTER, INC. IC - 50 WITH CUSHION VINYL

1 HR. FLOOR/CEILING ASSEMBLY  
SCALE: 1-1/2"=1'-0"

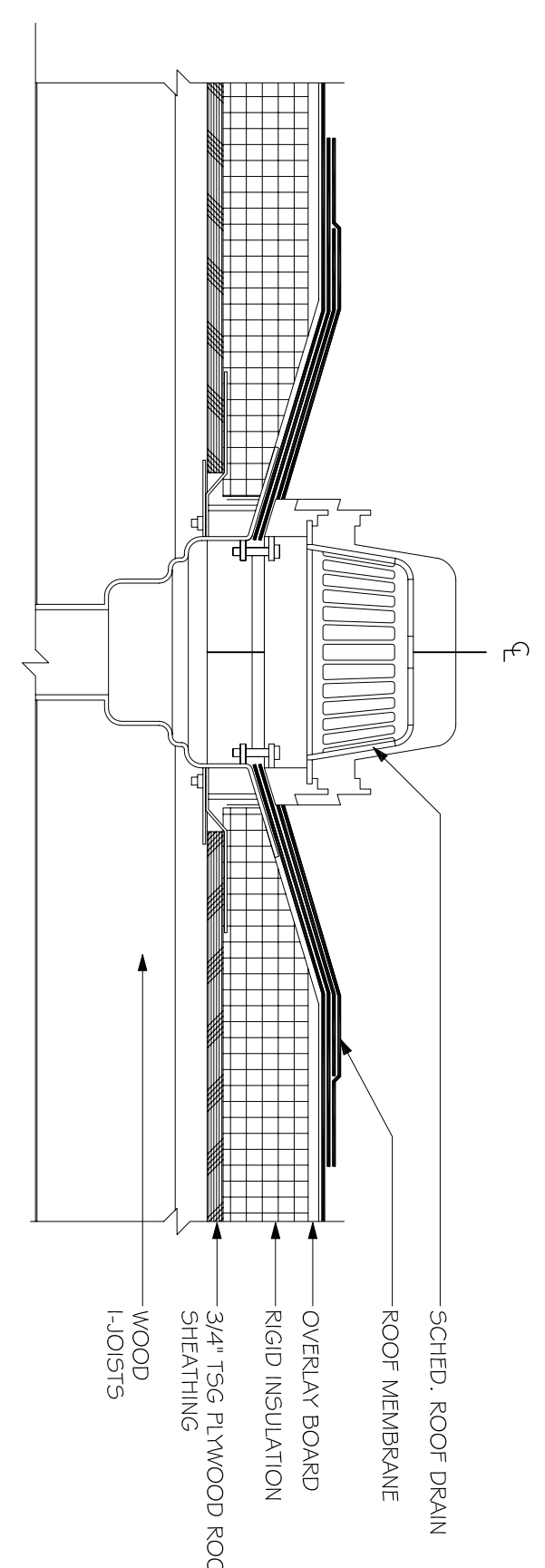
2 HR. FLOOR/CEILING ASSEMBLY (ACT)  
SCALE: 1-1/2"=1'-0"

3 HR. FLOOR/CEILING ASSEMBLY  
SCALE: 1-1/2"=1'-0"

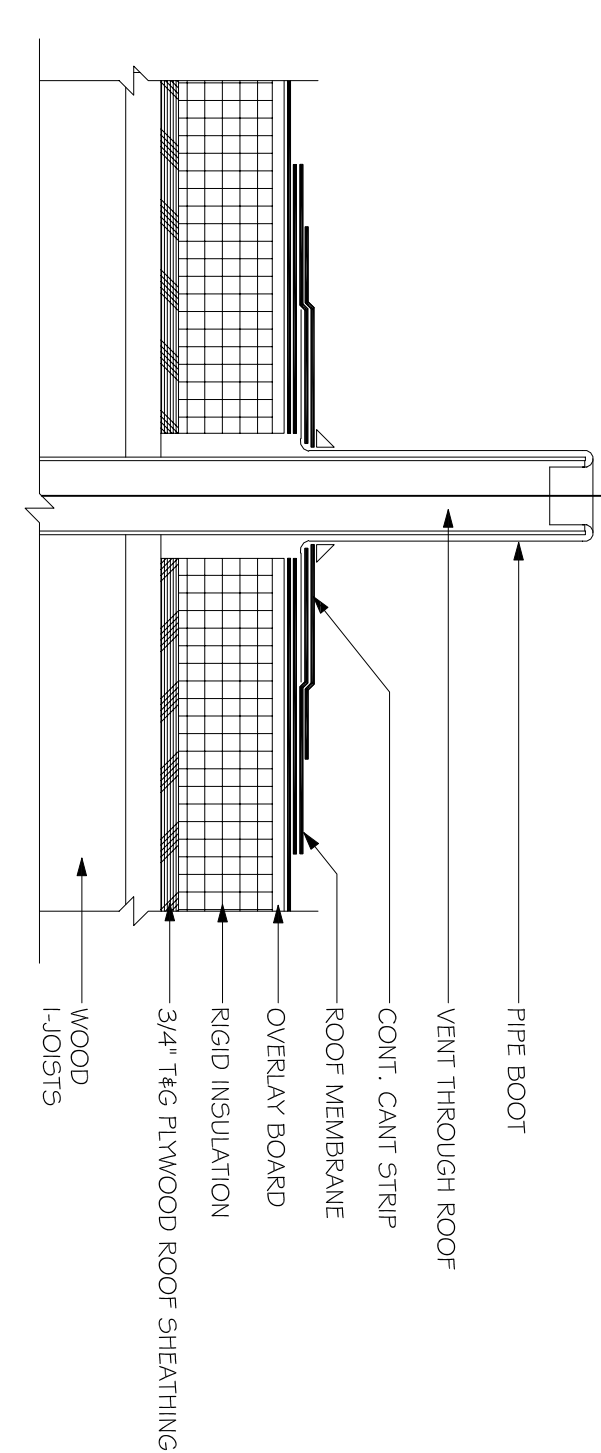


1 HR. RATED ROOF/CEILING  
BASED ON GA FILE NO. RC 2601 (SEE NOTE FOR TRUSSES)

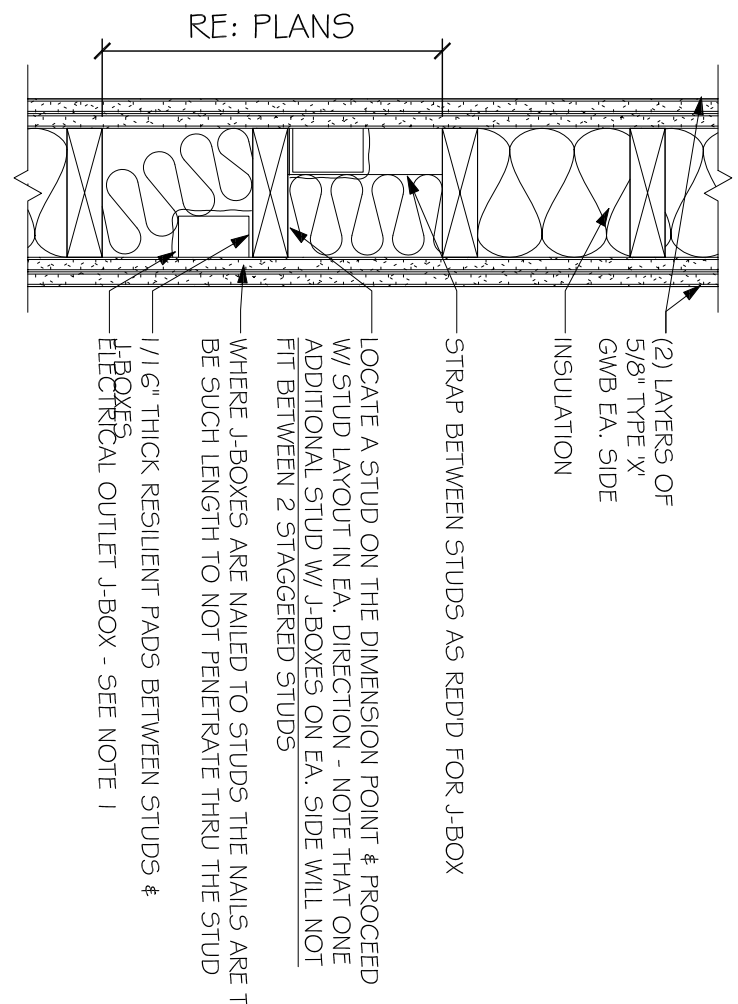
4 HR. ROOF/CEILING ASSEMBLY  
SCALE: 1-1/2"=1'-0"



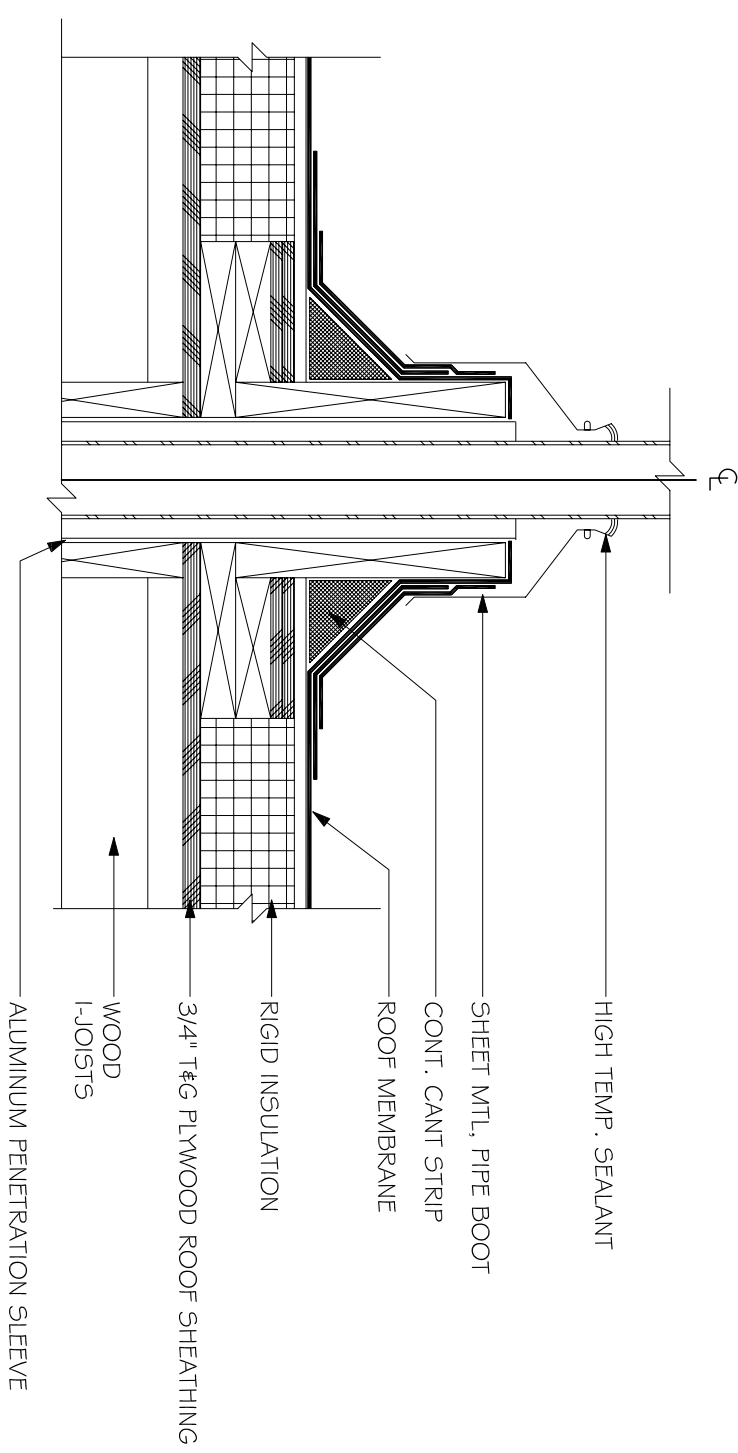
5 ROOF DRAIN PENETRATION  
SCALE: 1-1/2"=1'-0"



6 THRU VENT PENETRATION  
SCALE: 1-1/2"=1'-0"



7 OUT J-BOX OFFSETS  
SCALE: 1-1/2"=1'-0"



8 HOT PIPE PENETRATION  
SCALE: 1-1/2"=1'-0"

REVISIONS	DATE
# DESCRIPTION	

**FAIRFIELD INNS & SUITES**  
 01 PREEPS CENTRE DRIVE  
 VICKERSBURG, MISSISSIPPI 39180

JOB No: 2181      DATE: 08-01-2013  
 DRAWN BY: JTL      CHECKED BY: CKD

**DAMMON ENGINEERING, INC.**  
 Architects & Engineers

CHIEF ENGINEER: EMMETT DAMMON, P.E.  
 554 OLD SPANISH TRAIL  
 SLIDEL, LA 70458

dammonengineering.com  
 dammoneng@bellsouth.net  
 PHONE: 985-649-5832  
 FAX: 985-641-5990

PRELIMINARY (NOT FOR CONSTRUCTION)

HORIZONTAL ASSEMBLIES & PENETRATION DETAILS

SHEET No: 00 OF 00

**G3**