

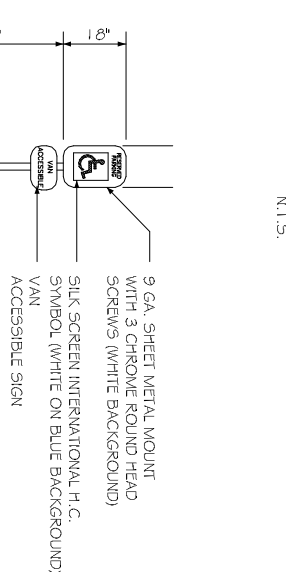
SITE PLAN
SCALE: 1"=20'-0"

PARKING REQUIREMENTS:
1.1 SPACE PER GUESTROOM AND 1 PER FIVE EMPLOYEES,
63 GUESTROOMS X 1.1 = 91.3 OR 91 SPACES + 1 = 92
TOTAL SPACES NEEDED, 95 PROVIDED.

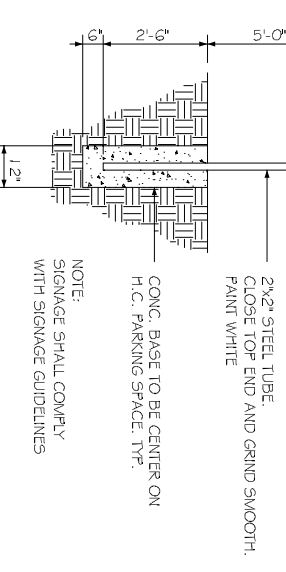
SITE LEGEND

- PROPERTY LINE
- UTILITY / EASEMENT LINE
- TRIANGULAR SITE LINE
- BUILDING SETBACK MINIMUM
- BUILDING OUTLINE
- HANDICAP PARKING
- HANDICAP PARKING SIGN
- TRASH RECEPTACLE

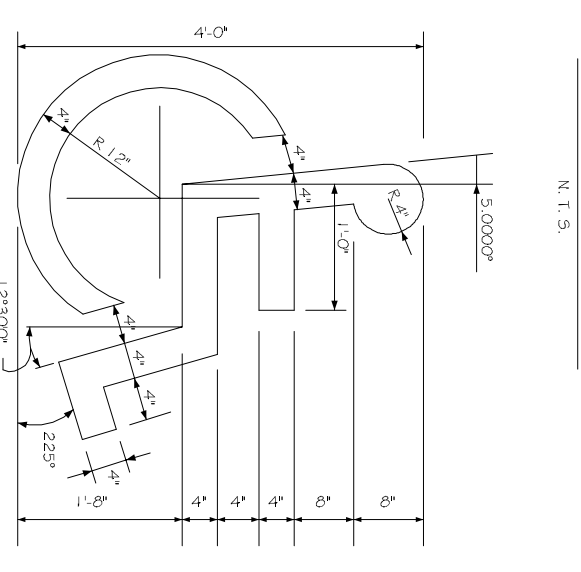
WOODEN FENCE DETAIL



HANDICAP PARKING SIGN



HANDICAP SYMBOL DETAIL



PRELIMINARY (NOT FOR CONSTRUCTION)

<p>NEW SITE PLAN</p> <p>SHEET No: C2</p>	<p>LAQUINTA INNS & SUITES</p>	<p>HATTESBURG, MISSISSIPPI</p>	<p>DATE: 03-25-2013</p>	<p>DAMMON ENGINEERING, INC.</p>					
	<p>REVISIONS</p> <table border="1" style="width: 100%; border-collapse: collapse;"> <thead> <tr> <th>#</th> <th>DESCRIPTION</th> <th>DATE</th> </tr> </thead> <tbody> <tr> <td> </td> <td> </td> <td> </td> </tr> </tbody> </table>	#	DESCRIPTION	DATE				<p>JOB No: 2158</p>	<p>DRAWN BY: JTL</p>
#	DESCRIPTION	DATE							