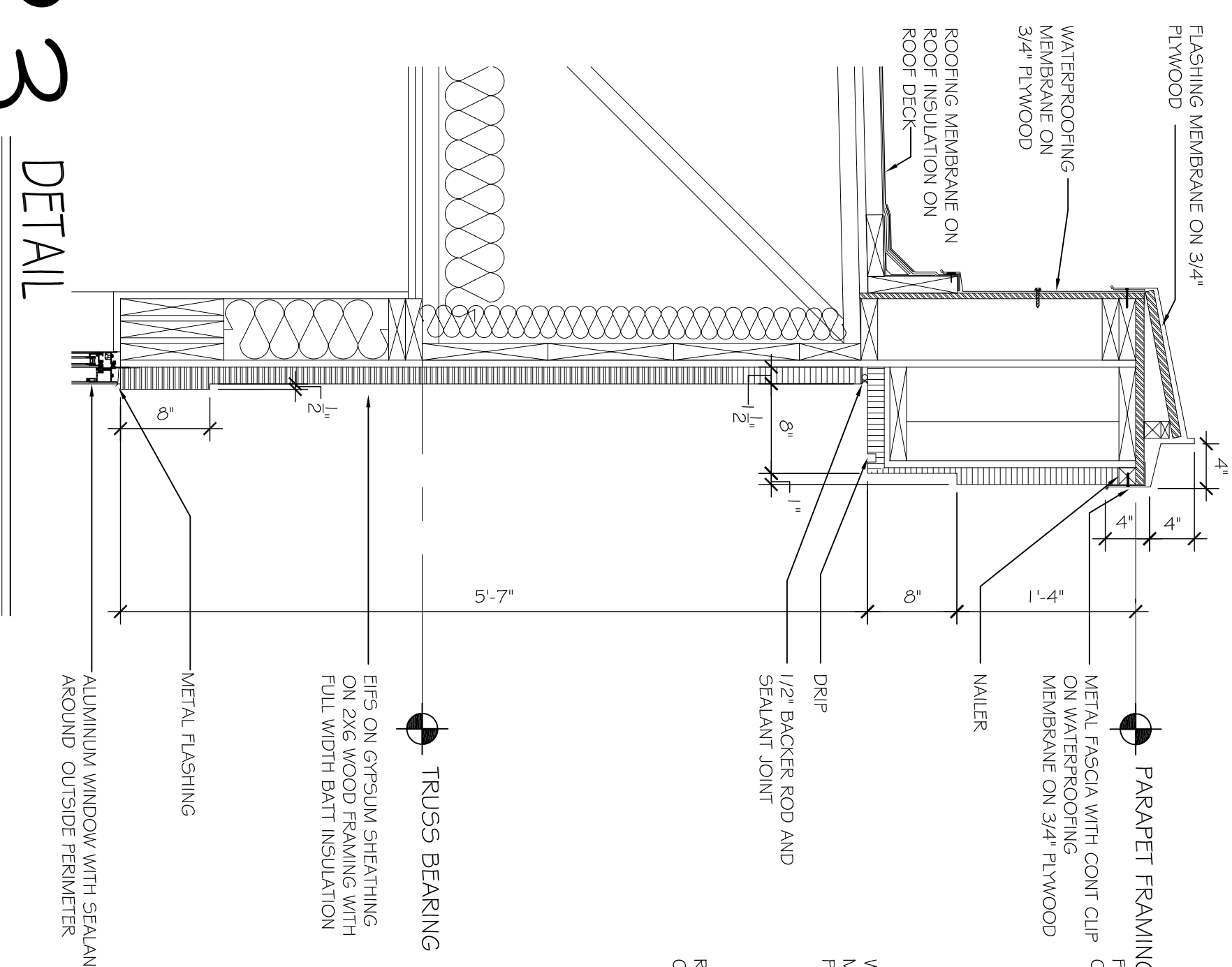
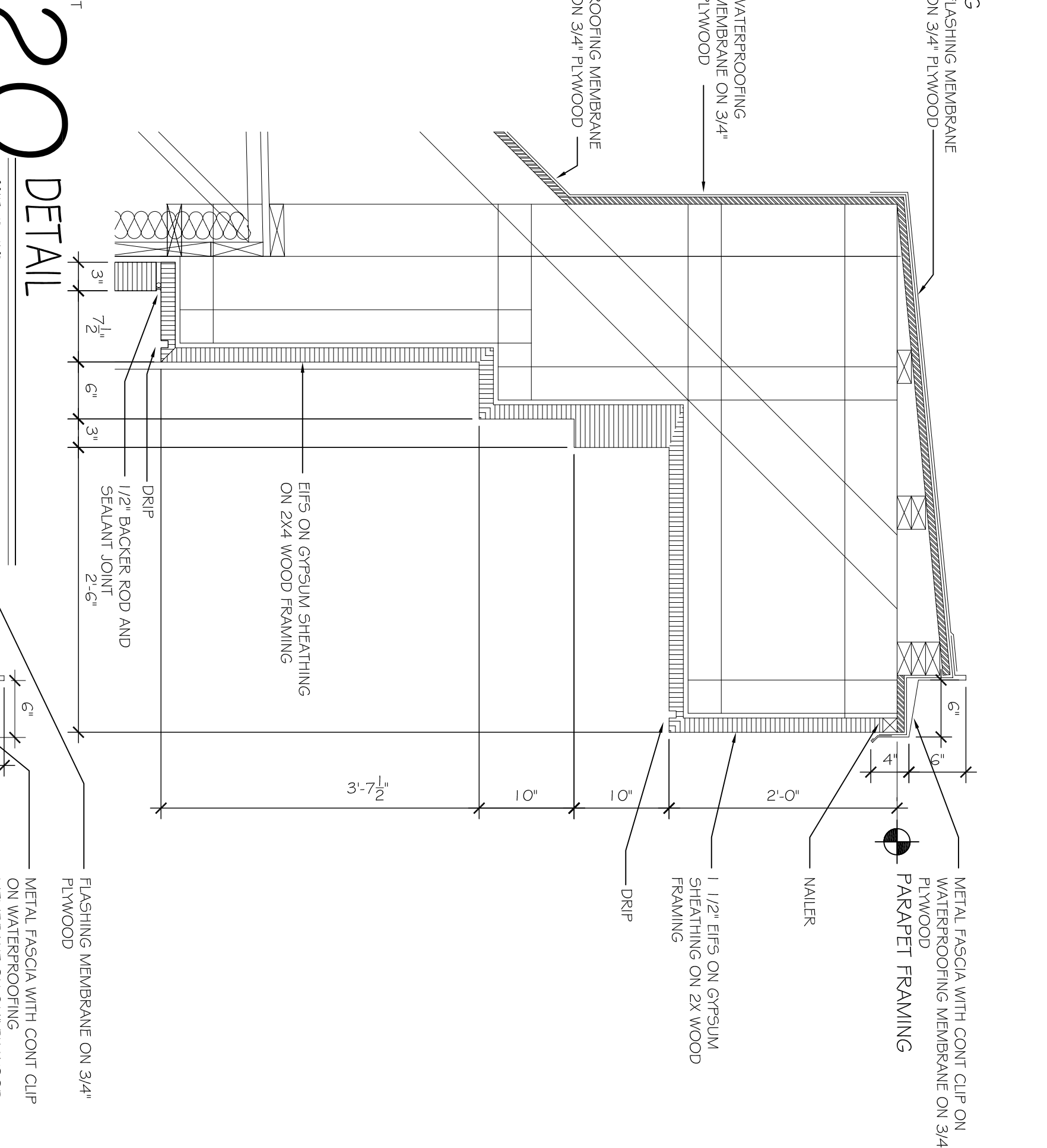


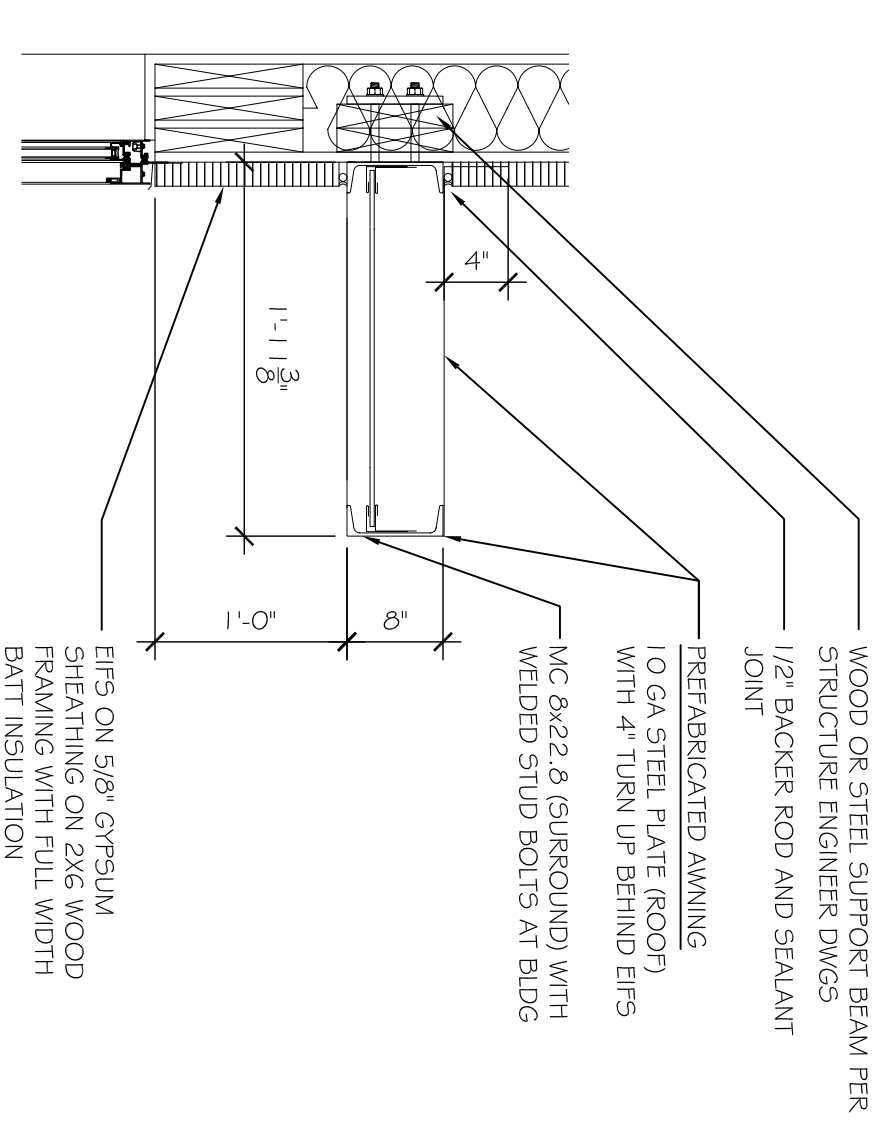
26  
SCALE: 1" = 1'-0"



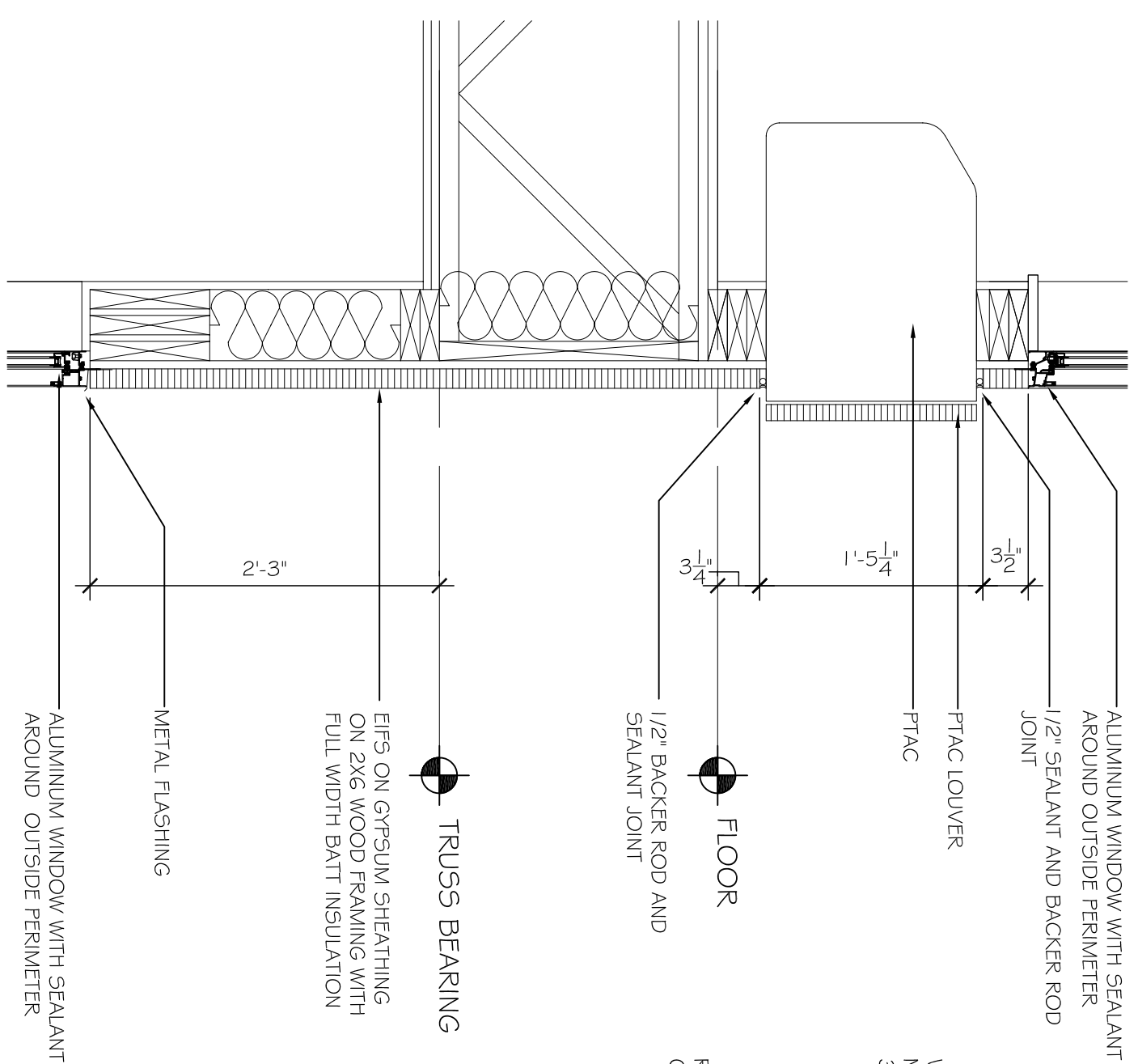
23  
SCALE: 1" = 1'-0"



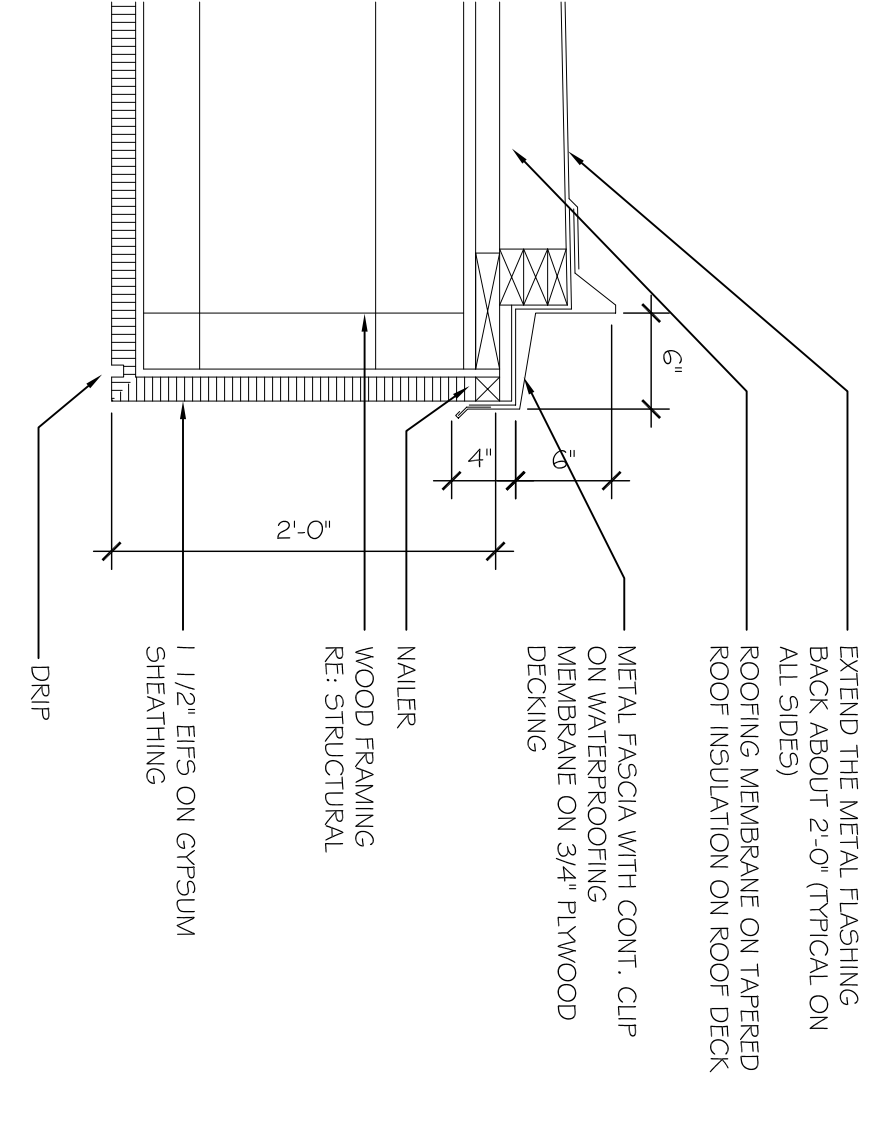
20  
SCALE: 1" = 1'-0"



25  
SCALE: 1" = 1'-0"



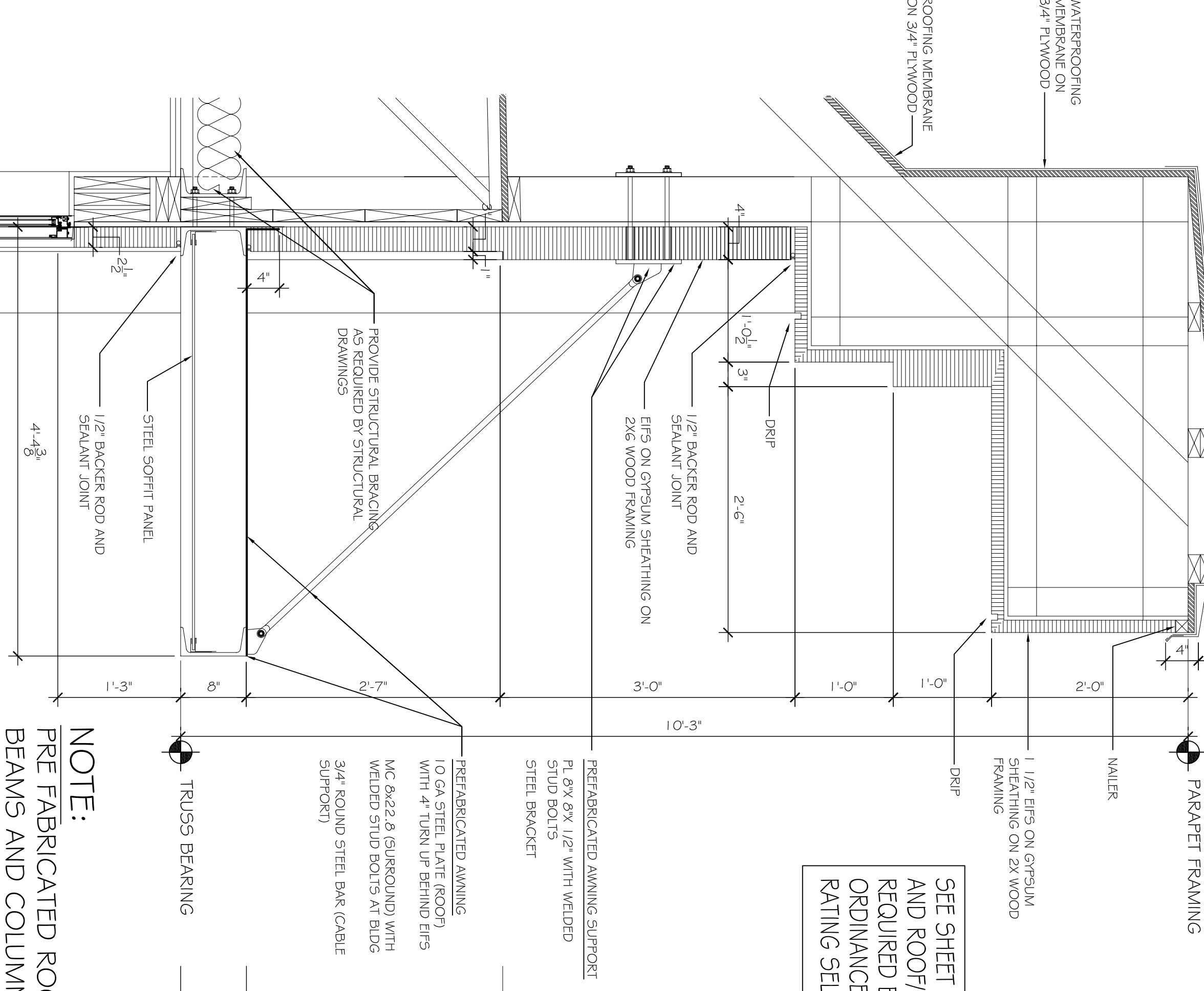
22  
SCALE: 1" = 1'-0"



24  
SCALE: 1" = 1'-0"



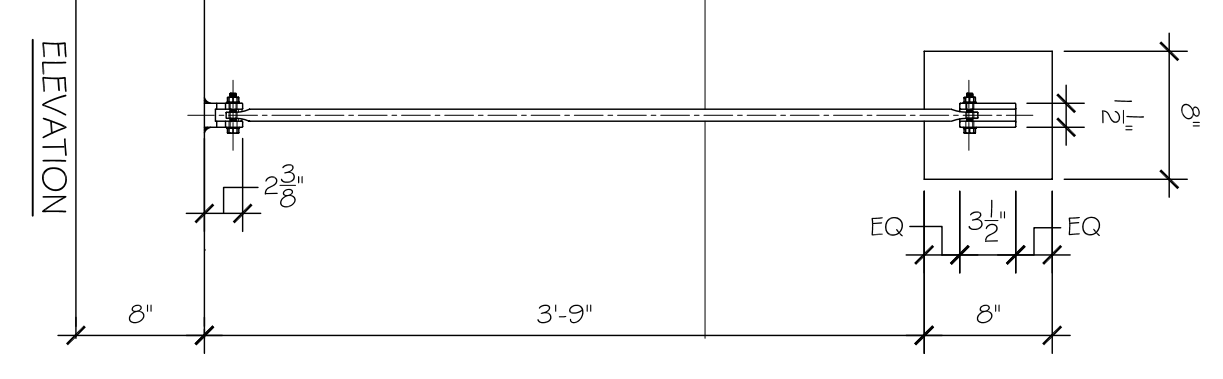
21  
SCALE: 1" = 1'-0"



19  
SCALE: 1" = 1'-0"

SEE SHEET A-2 FOR ALL WALL, FLOOR/CEILING AND ROOF/CEILING ASSEMBLY RATINGS AS REQUIRED BY LOCAL CODE AND ORDINANCES FOR BUILDING TYPE AND RATING SELECTED.

NOTE:  
PRE-FABRICATED ROOF, FLOOR, WALLS, BEAMS AND COLUMNS PROVIDED BY OTHERS.



REVISIONS		DATE
#	DESCRIPTION	

**LAQUINTA INNS & SUITES**  
507 CONSTITUTION DRIVE  
WEST MONROE, LOUISIANA 71292

JOB No: 2196      DATE: 04-15-2014  
DRAWN BY: JTL      CHECKED BY: CKD

**DAMMON ENGINEERING, INC.**  
Architects & Engineers

CHIEF ENGINEER, BRIAN MISTICH, P.E.  
CHIEF ARCHITECT, KEVIN KINCHEN  
554 OLD SPANISH TRAIL  
SLIDELL, LA 70458

dammonengineering.com  
dammoning@bellsouth.net  
PHONE: 985-649-5832  
FAX: 985-641-5990

WALL SECTIONS  
SHEET No: 23 OF 53  
**A15**