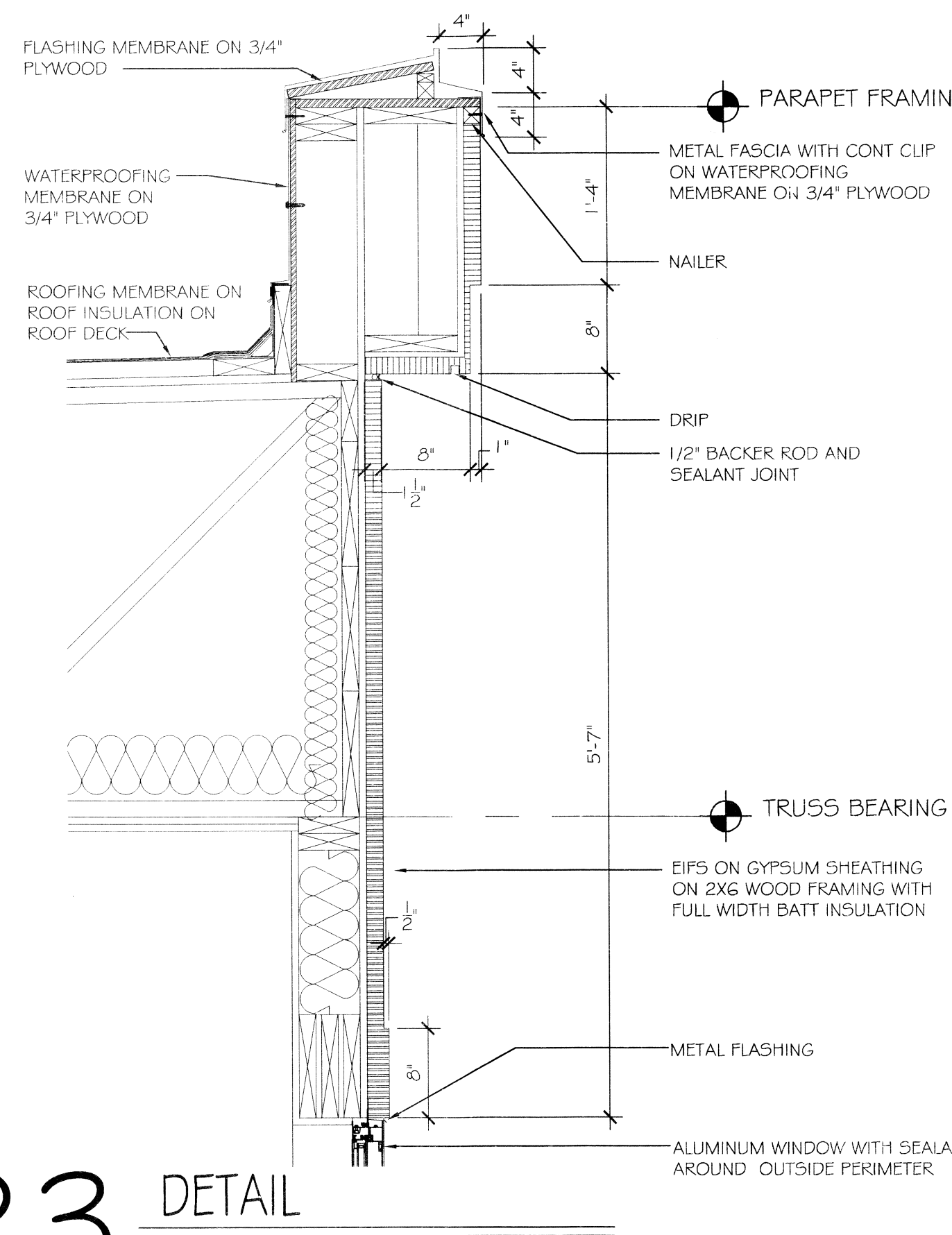
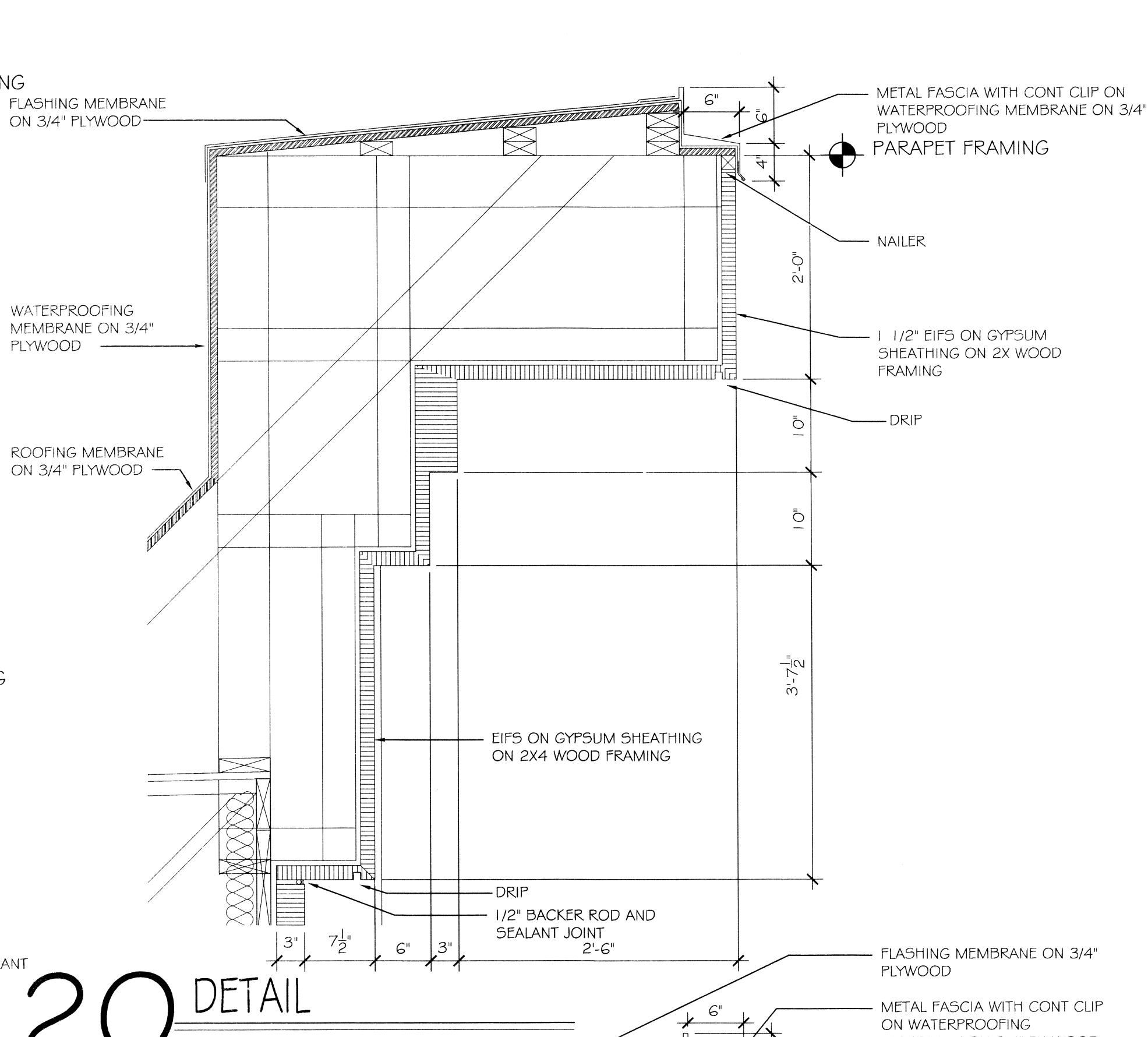


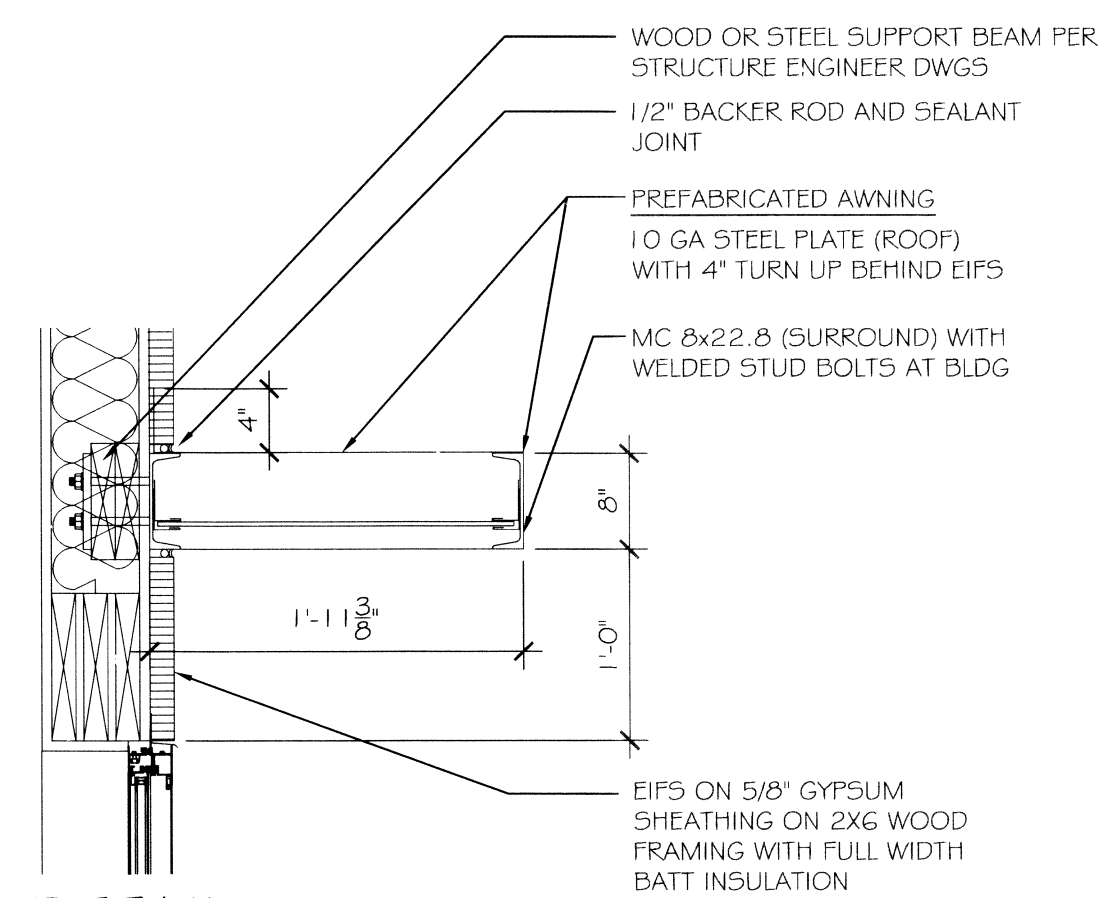
26 DETAIL
SCALE: 1"=1'-0"



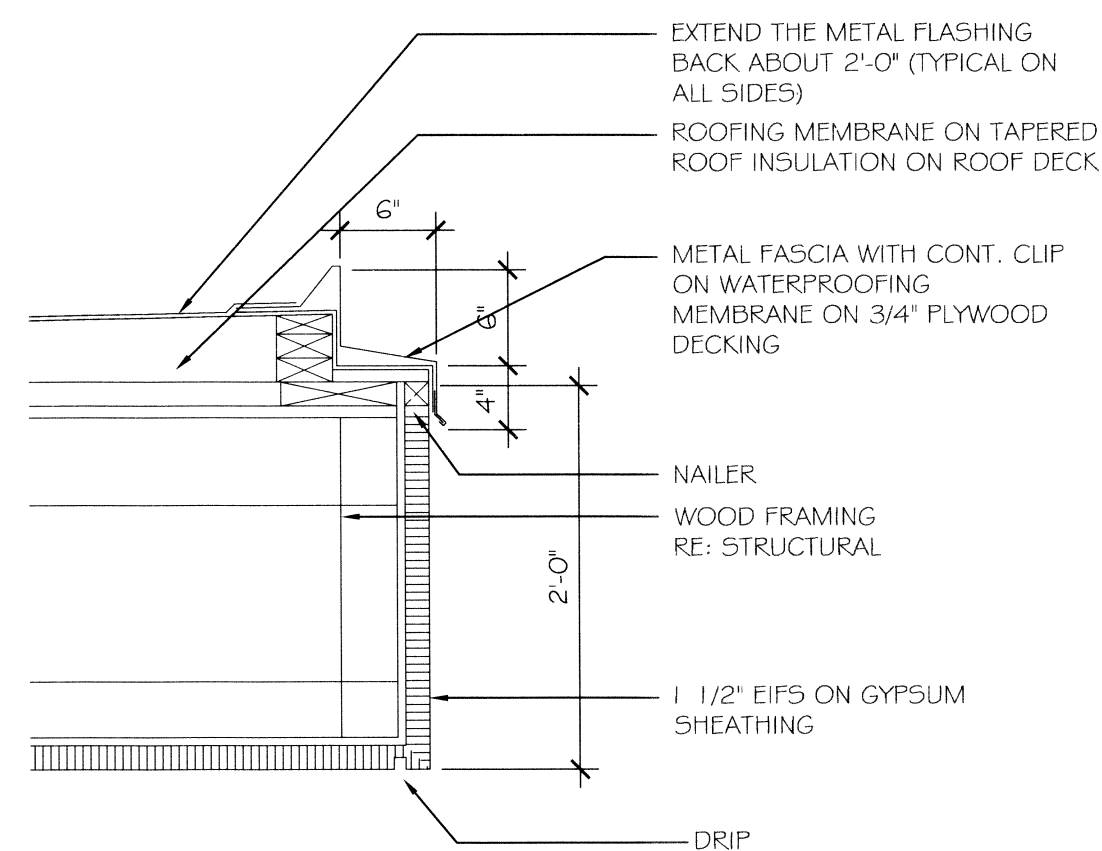
23 DETAIL
SCALE: 1"=1'-0"



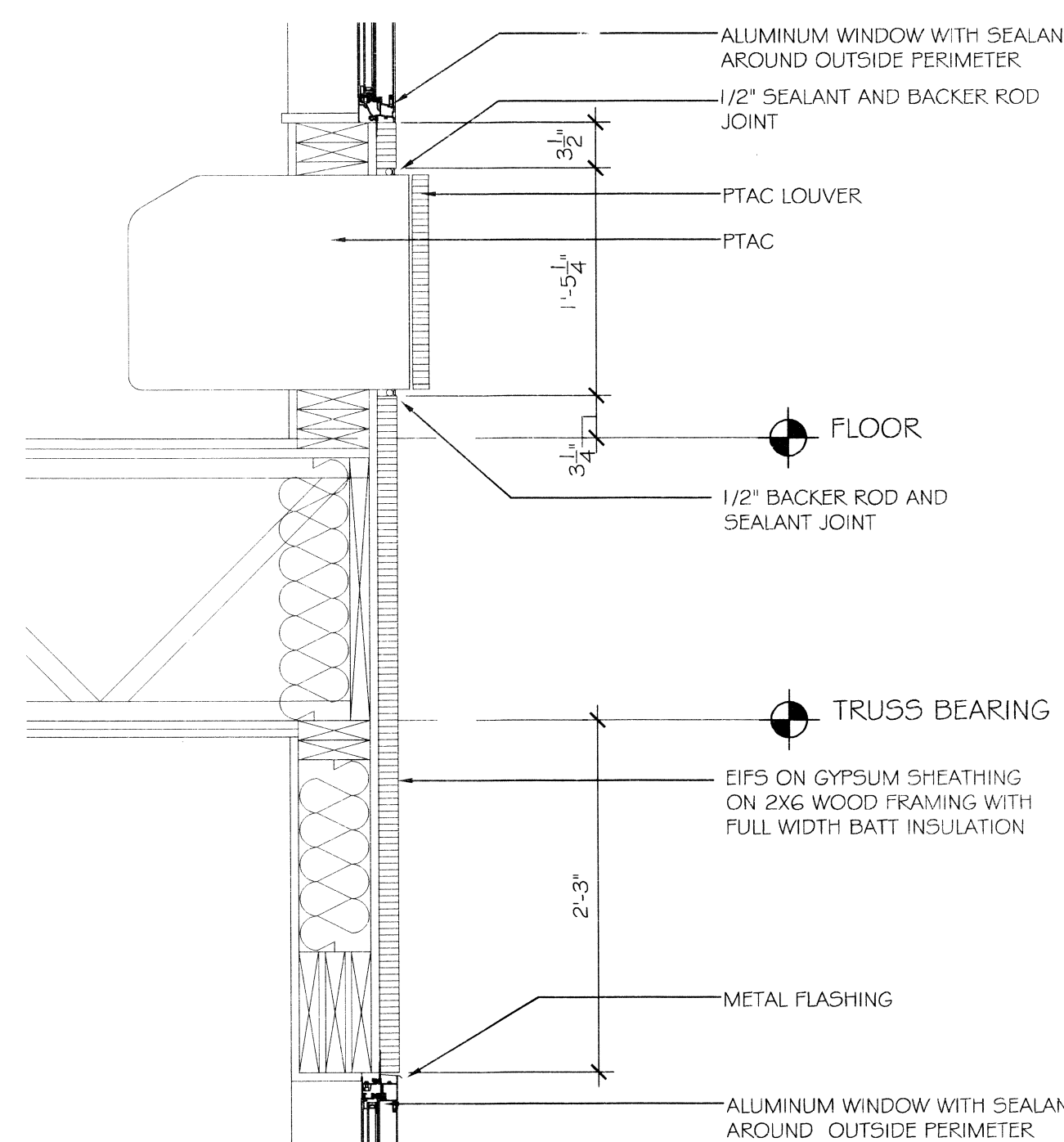
20 DETAIL
SCALE: 1"=1'-0"



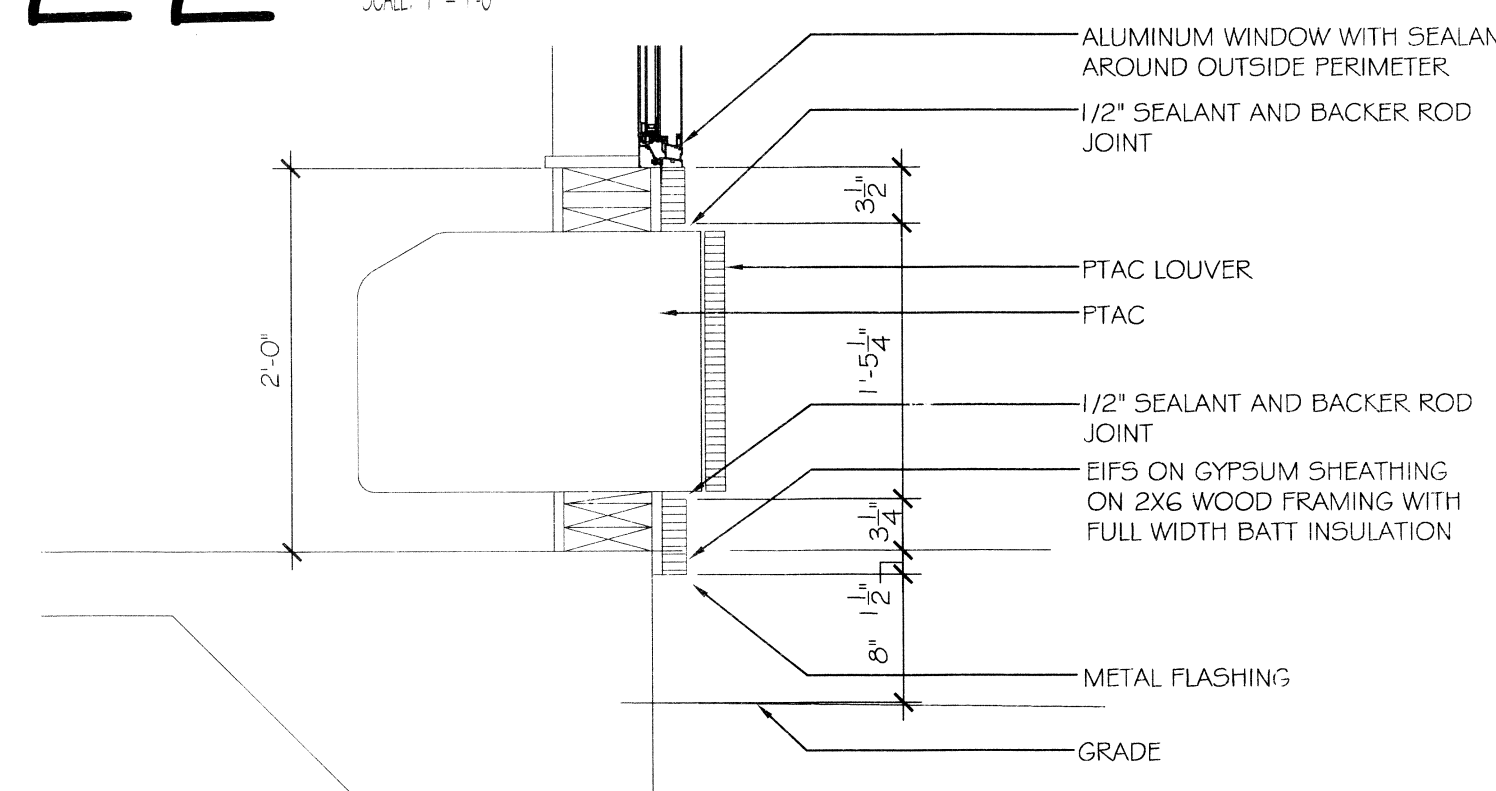
25 DETAIL
SCALE: 1"=1'-0"



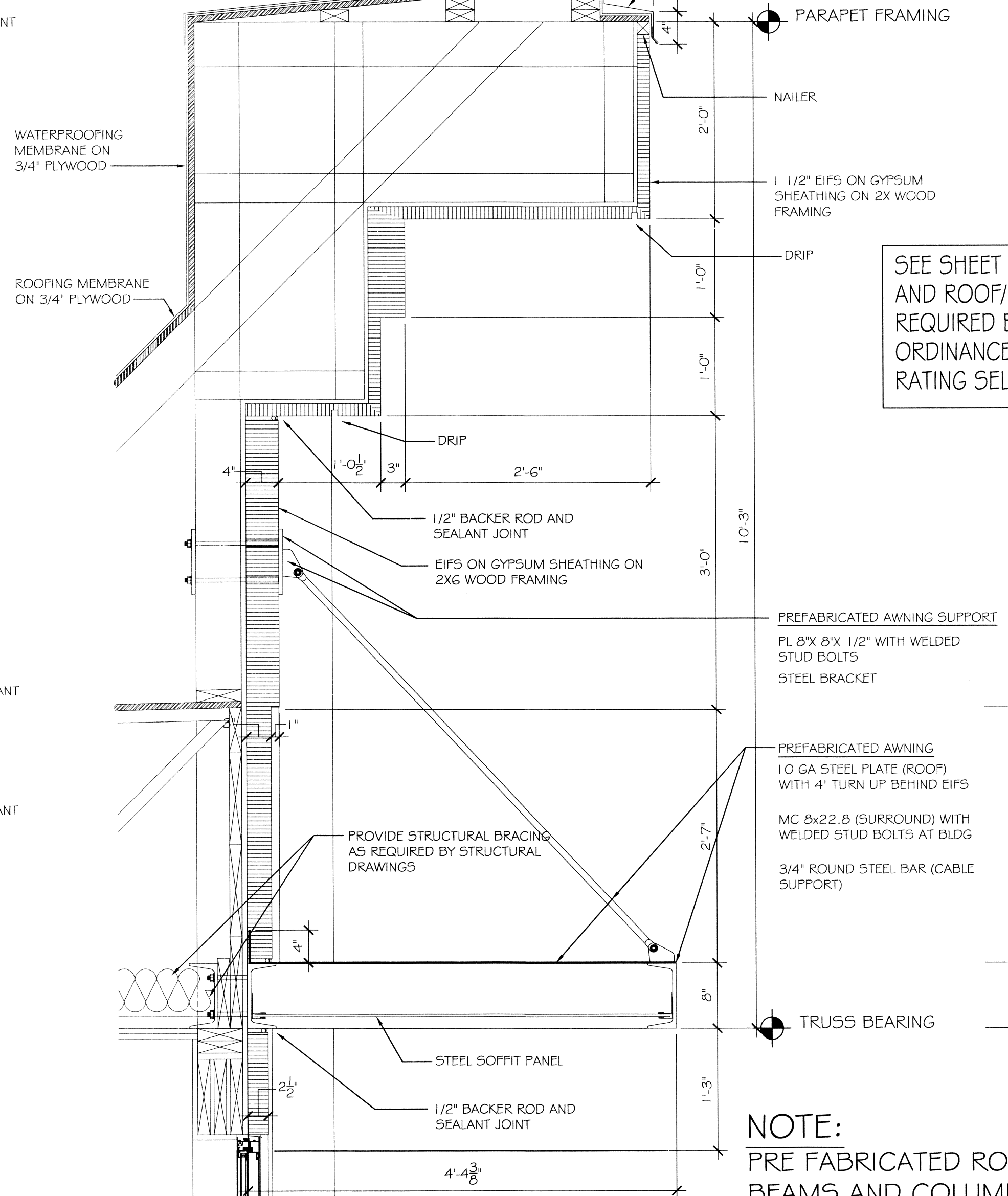
24 DETAIL
SCALE: 1"=1'-0"



22 DETAIL
SCALE: 1"=1'-0"

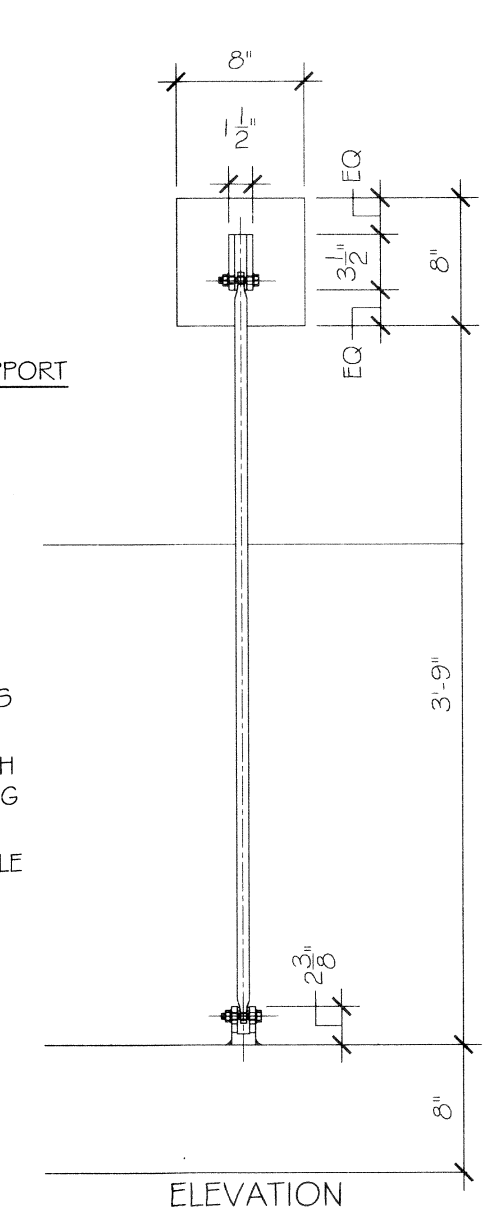


21 DETAIL
SCALE: 1"=1'-0"



19 DETAIL
SCALE: 1"=1'-0"

SEE SHEET A-2 FOR ALL WALL, FLOOR/ CEILING AND ROOF/ CEILING ASSEMBLY RATINGS AS REQUIRED BY LOCAL CODE AND ORDINANCES FOR BUILDING TYPE AND RATING SELECTED.



NOTE:
PRE FABRICATED ROOF, FLOOR, WALLS, BEAMS AND COLUMNS PROVIDED BY OTHERS.

DATE:	02-03-2014
CHECKED BY:	CKD
DRAWN BY:	JTL
DATE:	21-96
CHECKED BY:	JTL
DRAWN BY:	JTL
DATE:	02-03-2014
CHECKED BY:	CKD
DRAWN BY:	JTL

