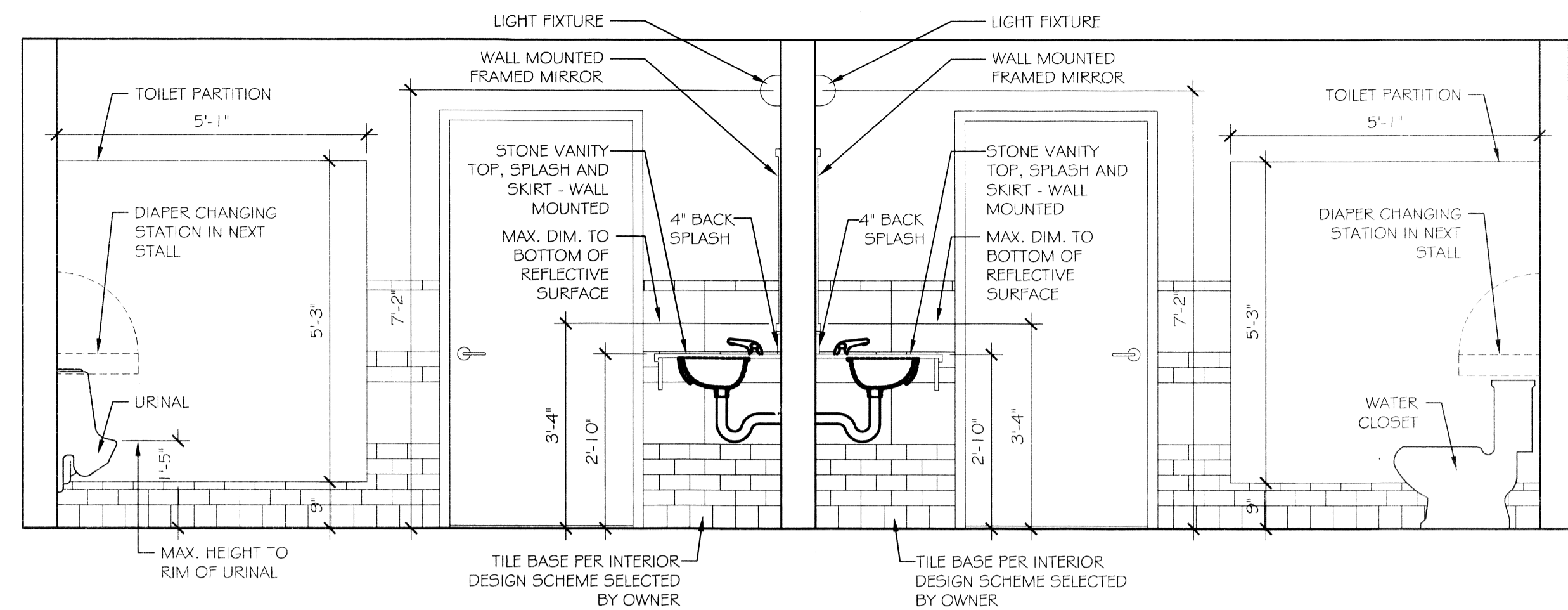
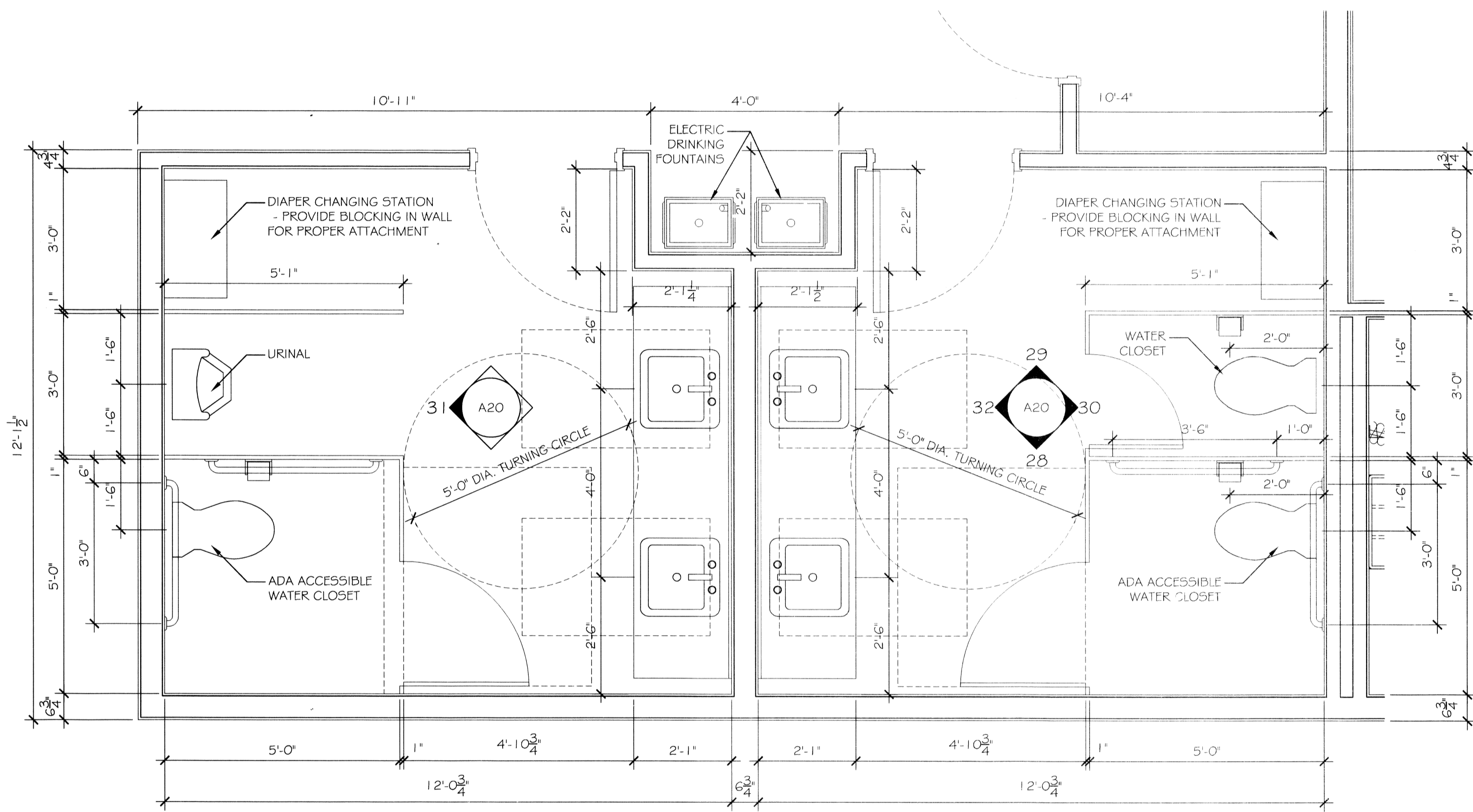


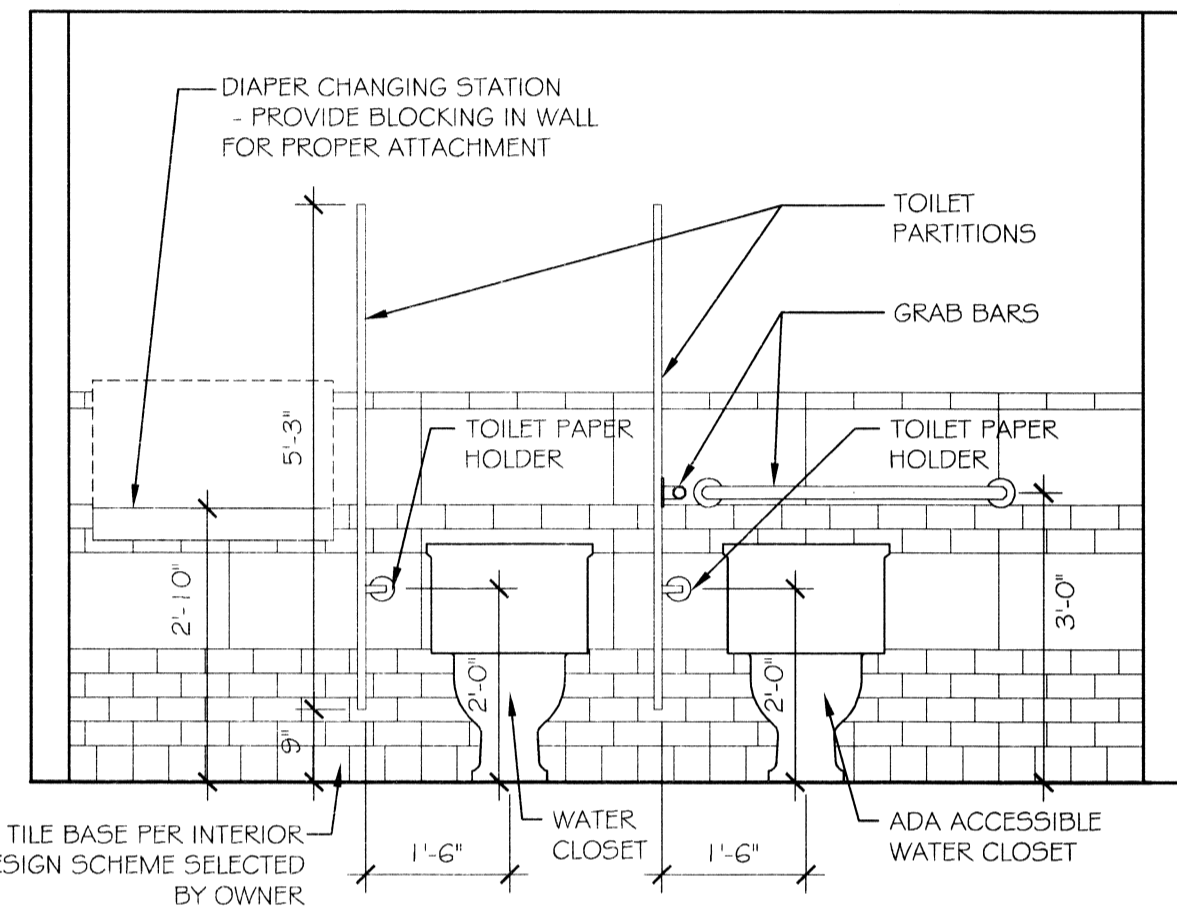
28 PUBLIC RESTROOM ELEVATION
SCALE: 1/2" = 1'-0"



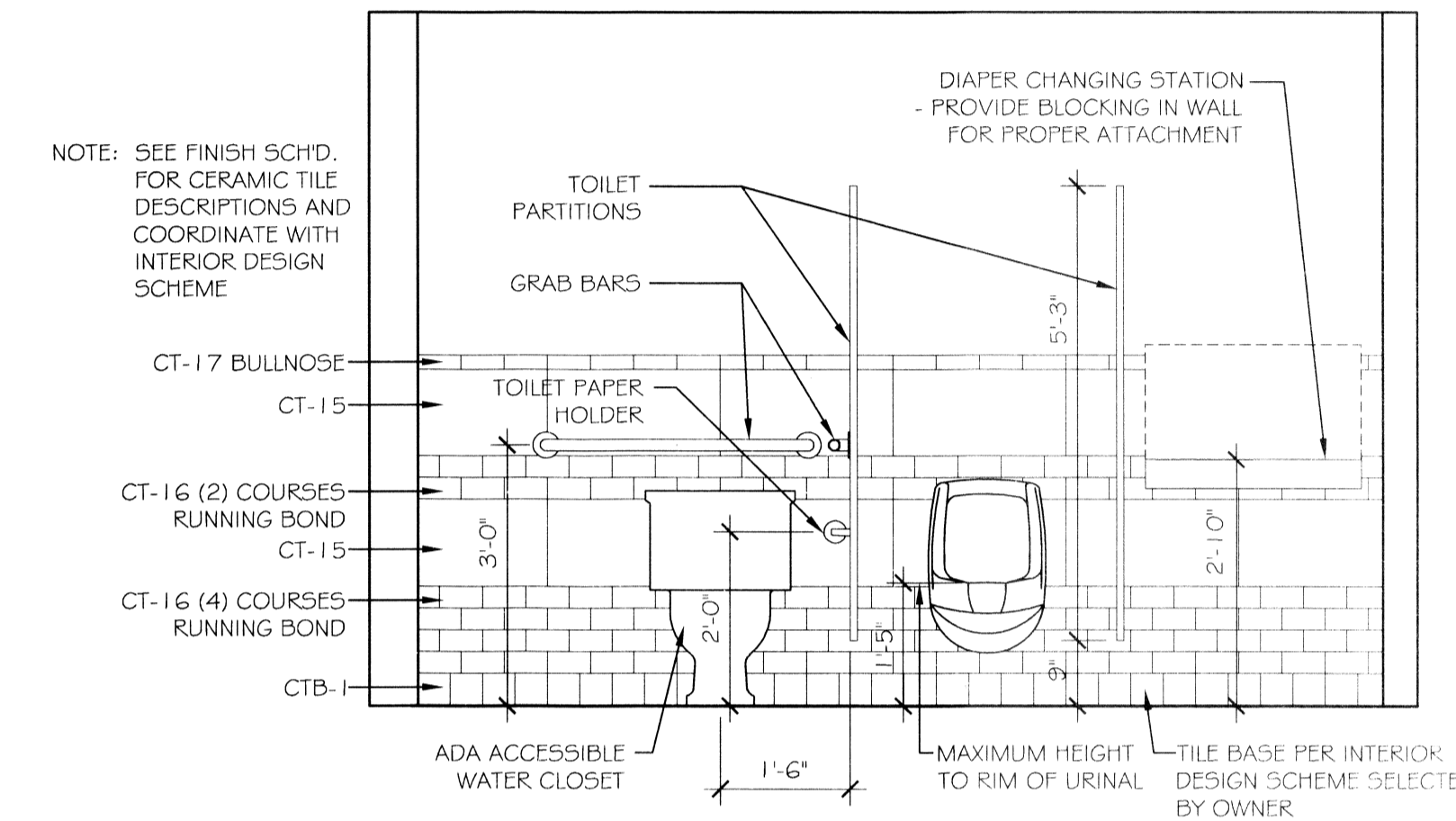
29 PUBLIC RESTROOM ELEVATION
SCALE: 1/2" = 1'-0"



27 PUBLIC RESTROOM ENLARGED PLAN
SCALE: 1/2" = 1'-0"



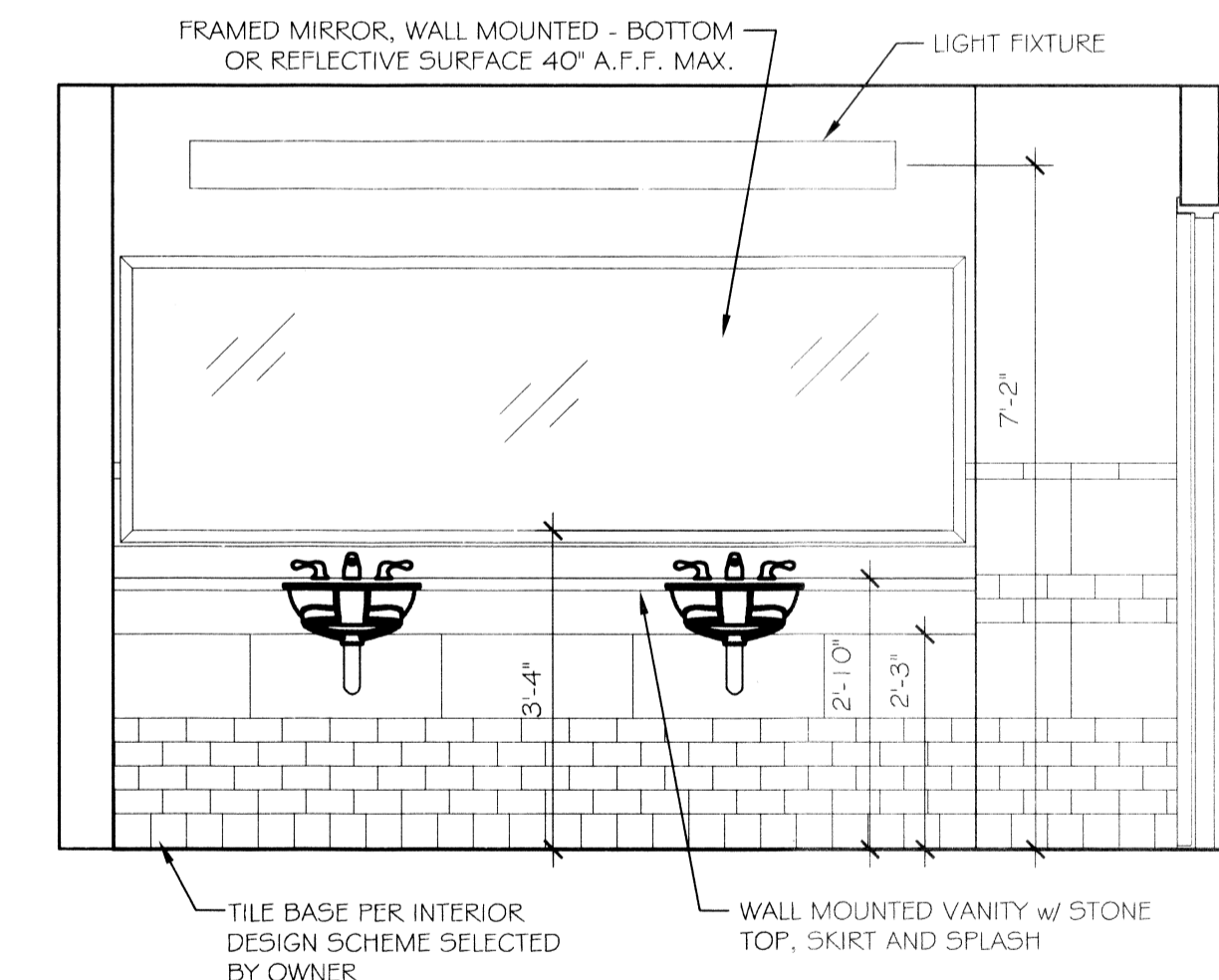
30 PUBLIC RESTROOM ELEVATION
SCALE: 1/2" = 1'-0"



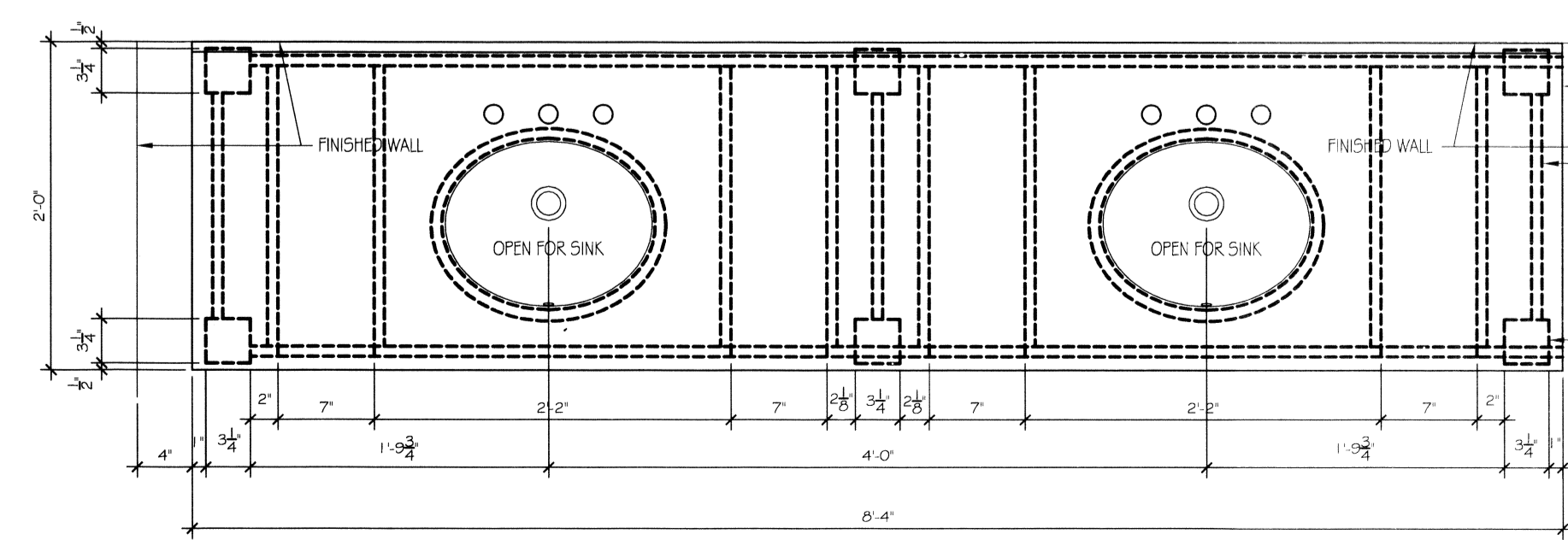
31 PUBLIC RESTROOM ELEVATION
SCALE: 1/2" = 1'-0"

VANITY KEY SCHEDULE

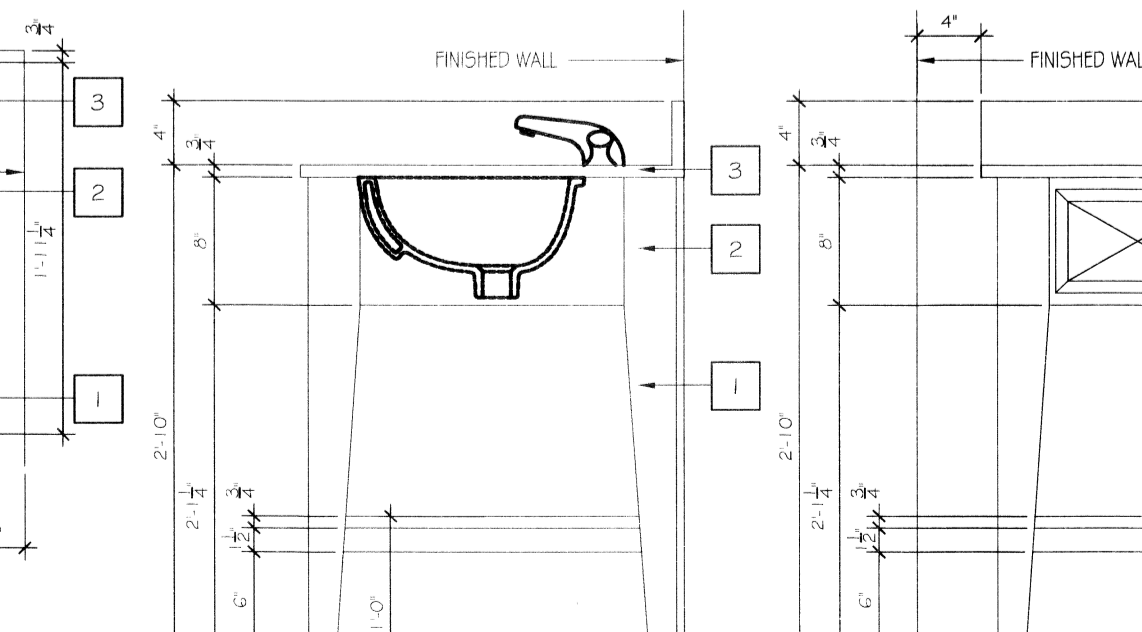
- WOOD RAILS AND FRAME TO BE DOUBLE DOWELED, SCREWED, AND GLUED. VENEER FACE PLYWOOD WITH SOLID EDGES. SOLID WOOD SHALL BE CLEAR, STRAIGHT GRAIN LUMBER. SHORT GRAIN WOOD PROHIBITED. WOOD FINISH: STAINED, FULL-FILLED, ALCOHOL, WATER AND BURN RESISTANT, CATALYZED OR CONVERSION LACQUER FINISH. WOOD LEGS AND SIDE RAILS TO HAVE FULLY IMPREGNATED FINISH (ANILINE OR EQUAL) TO RESIST CHIPS/SCRATCHES.
- SUPPLY BASE TEMPLATE AND FIXTURE REQUIREMENTS TO STONE SUPPLIER.
- STONE: ALL PIECES TO BE MECHANICALLY SECURED TOGETHER WITH CORROSION PROOF HARDWARE. SUBMIT FINISH SAMPLE PRIOR TO PRODUCTION. PROVIDE CLEAR WATER AND ALCOHOL RESISTANT NON-YELLOWING PENETRATING SEALER.
- BRUSHED NICKEL STAINLESS FERRULES WITH HEAVY DUTY ADJUSTABLE LEVELERS.



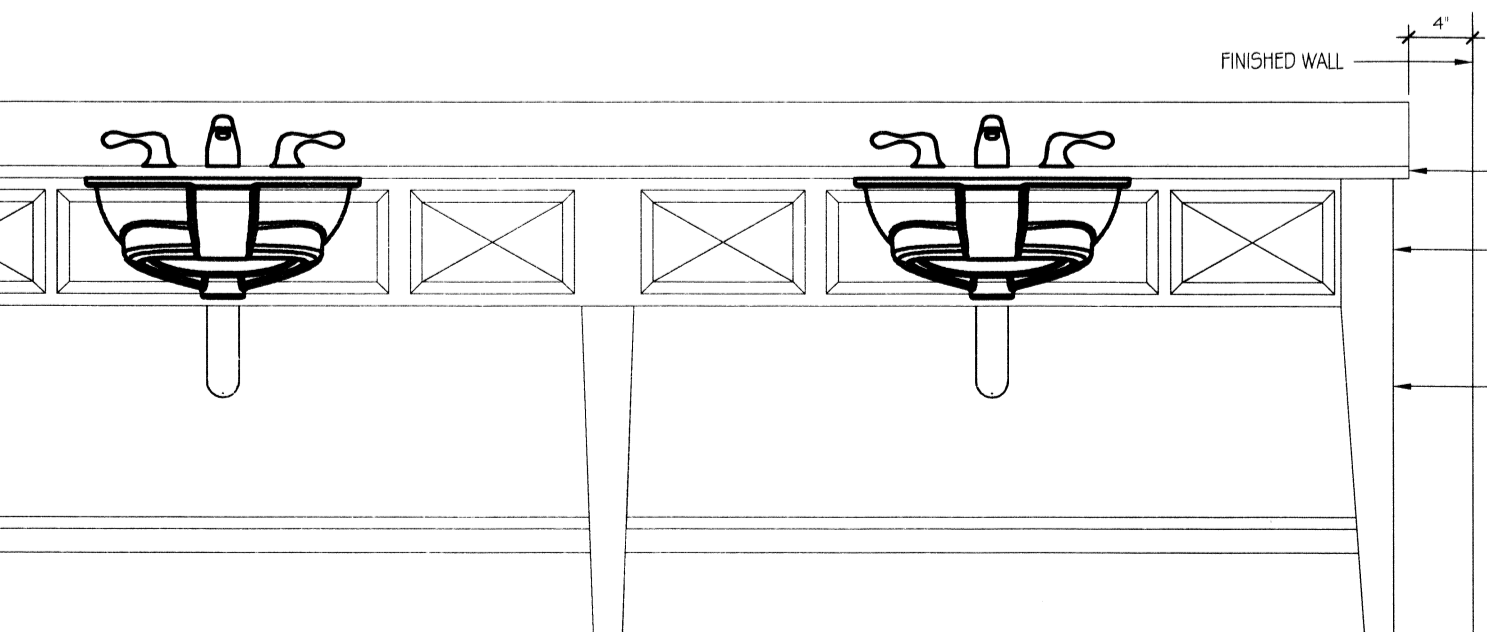
32 PUBLIC RESTROOM ELEVATION
SCALE: 1/2" = 1'-0"



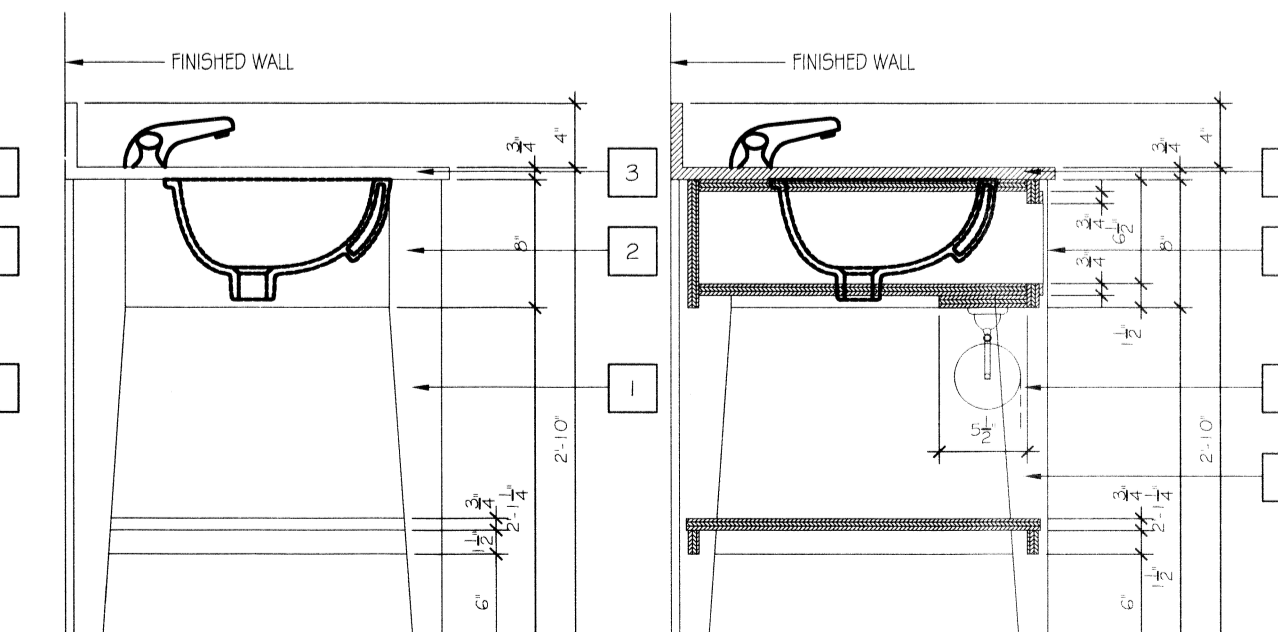
33 GUESTROOM VANITY DETAILS
SCALE: 1/2" = 1'-0"



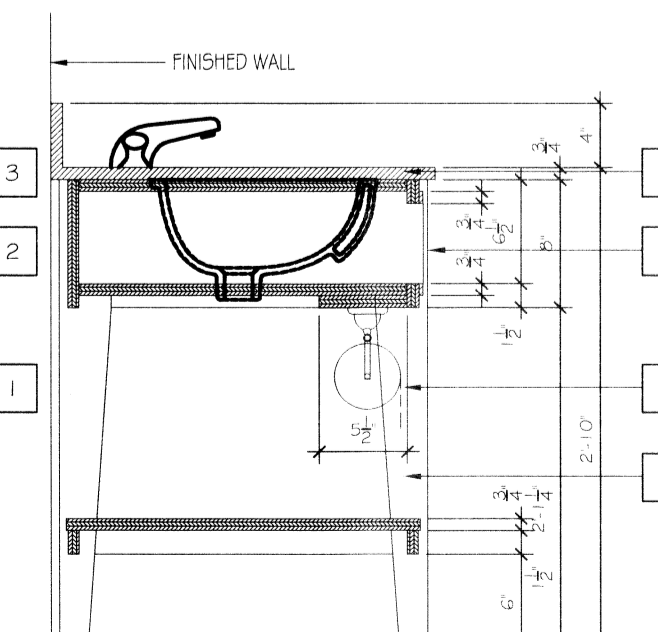
B SIDE ELEVATION



C FRONT ELEVATION



D SIDE ELEVATION



E SECTION

dammoneinc.com
dammone@helsbath.net
PHONE: 985-649-9632
FAX: 985-641-5900

CHIEF ENGINEER: BRIAN MISTICH, P.E.
CHIEF ARCHITECT: KEVIN KINCHEN
554 OLD SPANISH TRAIL
SUITE 100
DALLAS, TX 75243

Professional Engineer License No. 10000
Professional Architect License No. 10000
Professional Engineer License No. 10000
Professional Architect License No. 10000

JOB No: 2196 DATE: 02-03-2014 CHECKED BY: CKD
DRAWN BY: JTL