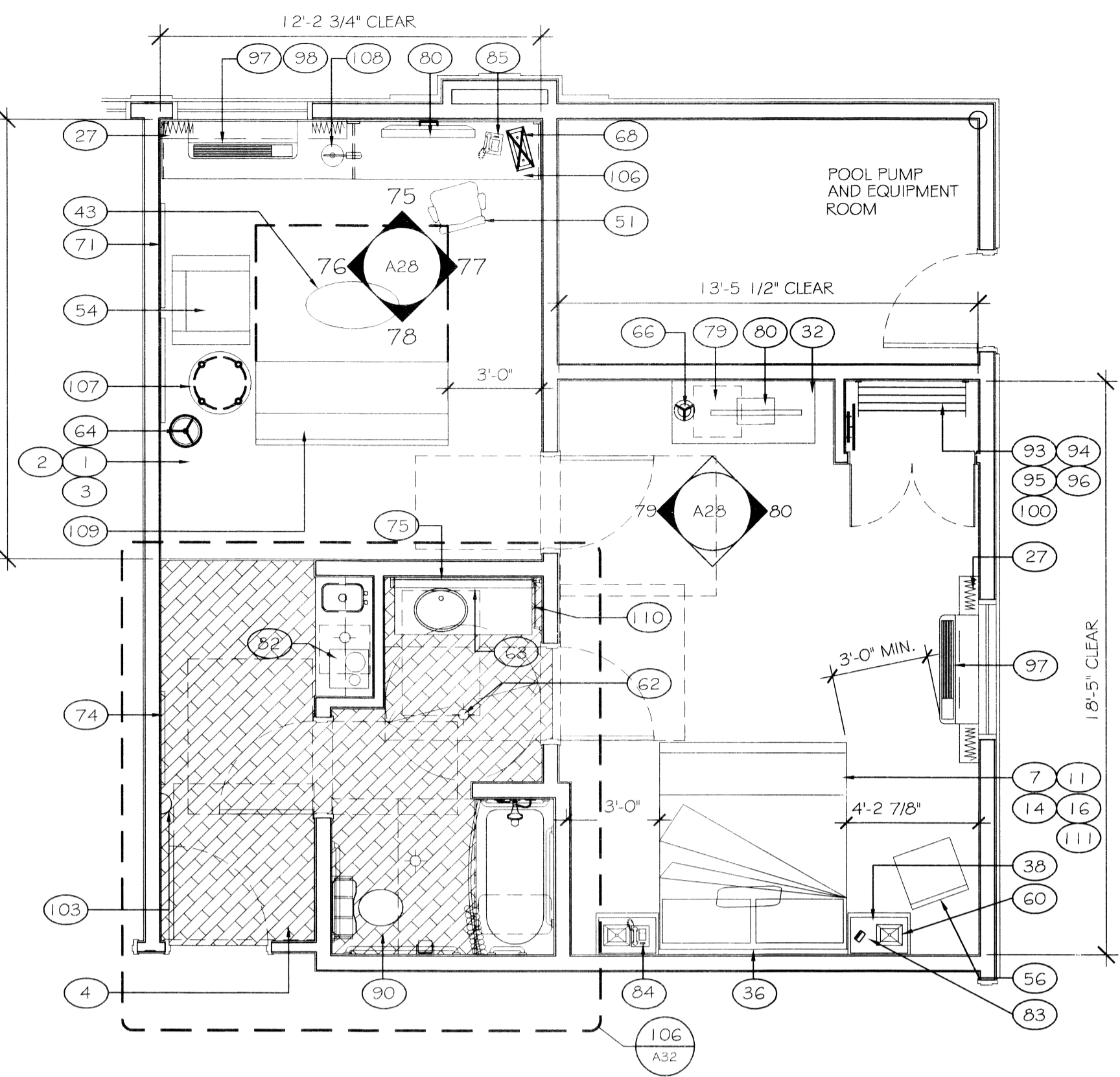


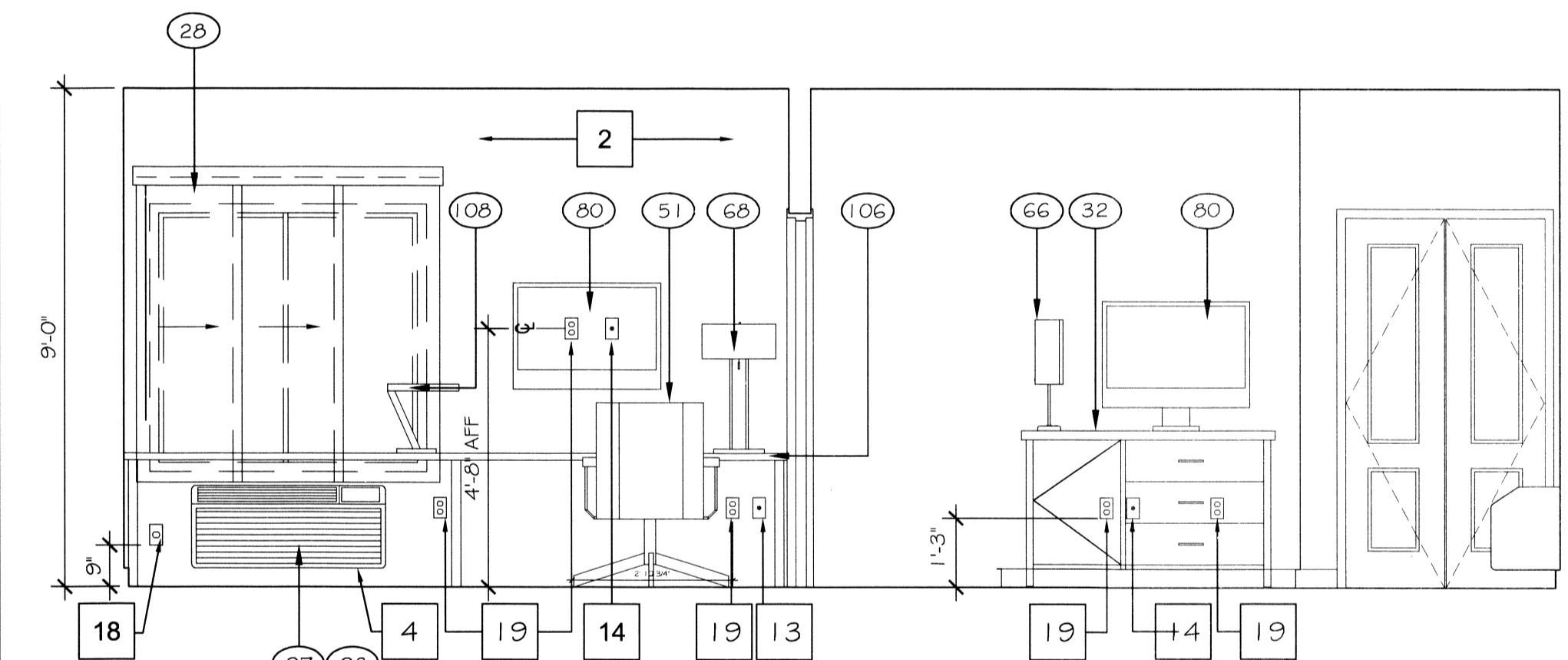
73 DIMENSIONAL CONTROL PLAN
SCALE: 1/4" = 1'-0"



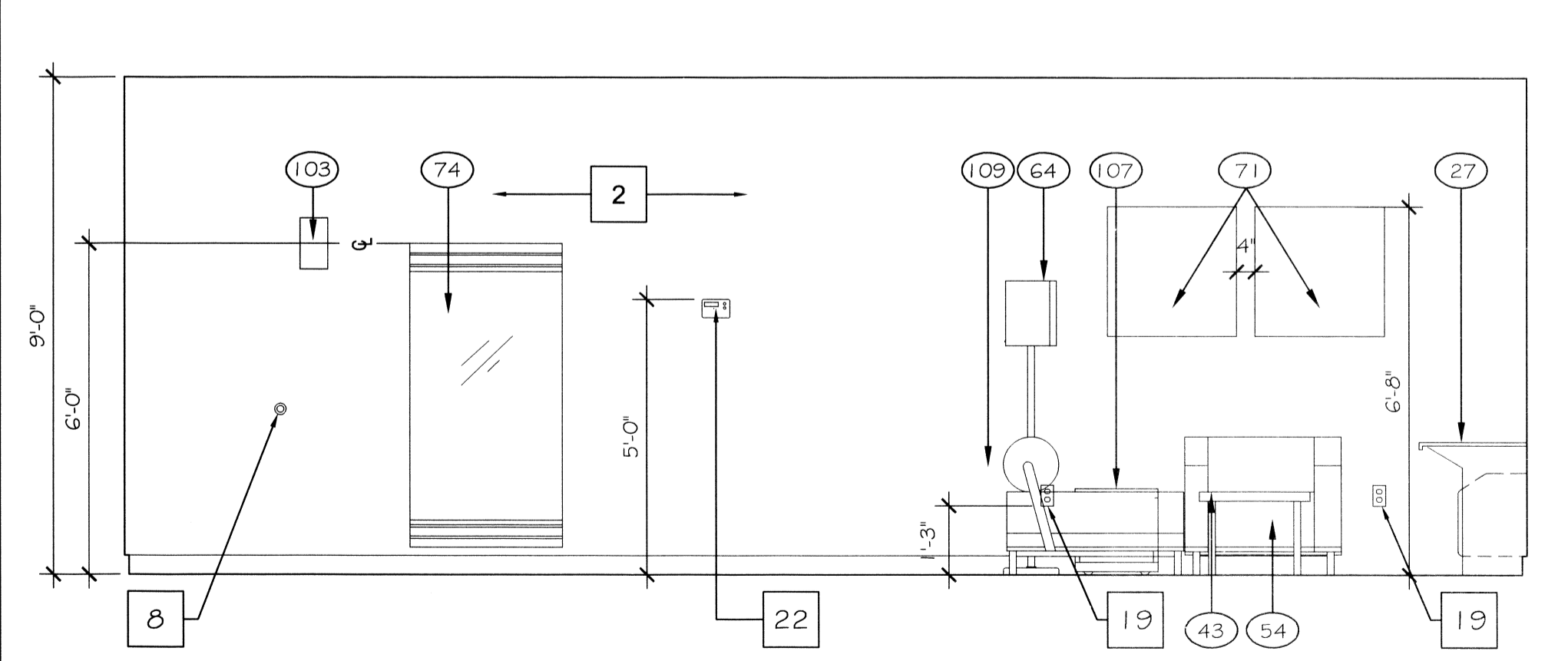
74 FURNITURE PLAN
SCALE: 1/4" = 1'-0"



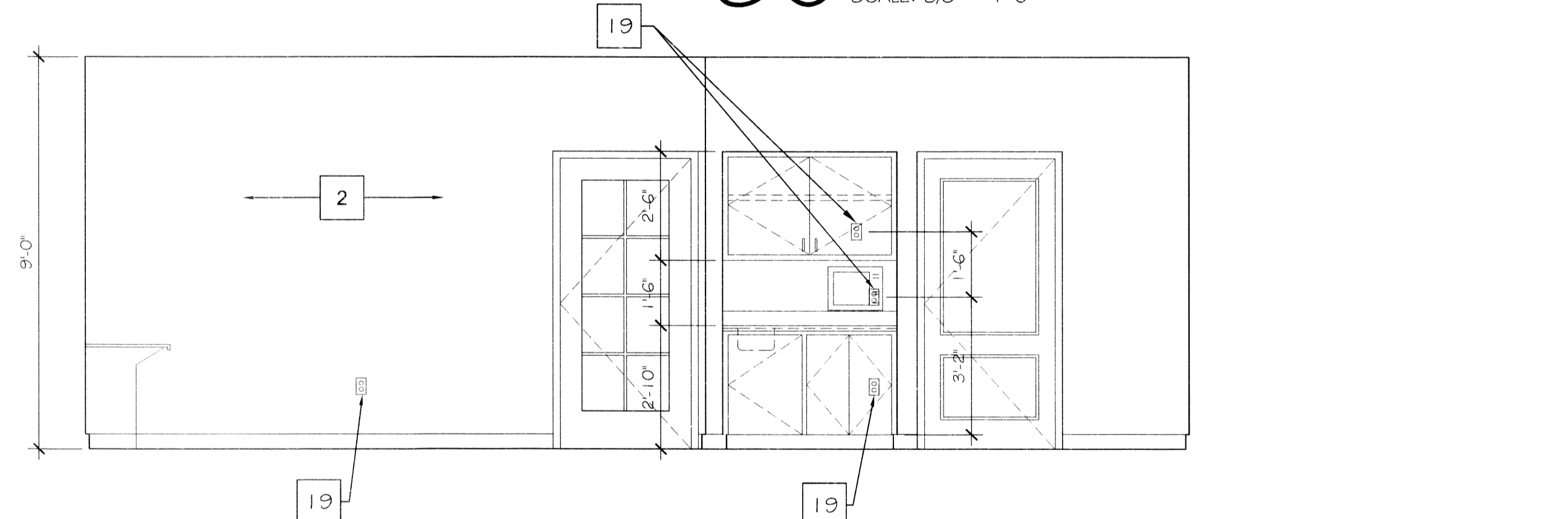
79 GUESTROOM ELEVATION
SCALE: 3/8" = 1'-0"



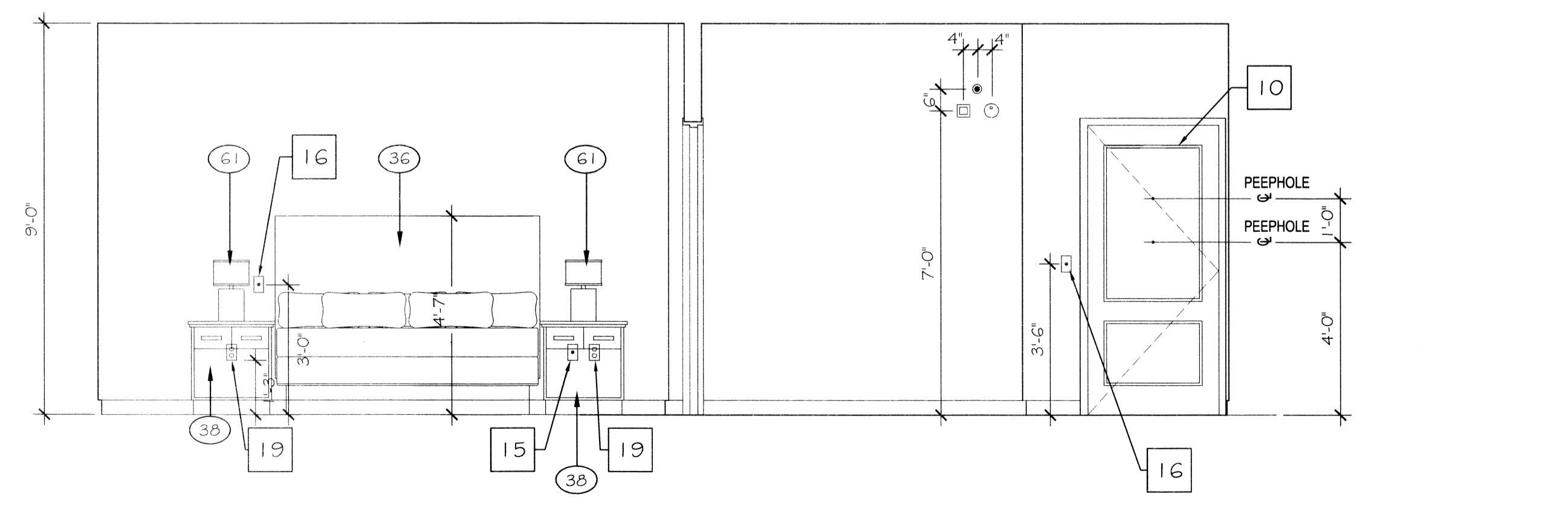
75 GUESTROOM ELEVATION
SCALE: 3/8" = 1'-0"



76 GUESTROOM ELEVATION
SCALE: 3/8" = 1'-0"



80 GUESTROOM ELEVATION
SCALE: 3/8" = 1'-0"



77 GUESTROOM ELEVATION
SCALE: 3/8" = 1'-0"

FF#E SCHEDULE	
CARPET / FLOORING (00)	
1 GUESTROOM CARPET	V-GST-001-CF
2 GUESTROOM CARPET PAD	V-GST-001-CPP
3 GUESTROOM CARPET BASE	V-GST-001-CPB
4 GUESTROOM BATH RESILIENT TILE	V-GST-002-RT
BEDDING / DRAPERY (100)	
5 COVERLET FABRICATION - DD	V-GST-100-BD
6 COVERLET FABRICATION - QUEEN	V-GST-100Q-BD
7 COVERLET FABRICATION - KING	V-GST-101-BD
8 COVERLET FABRIC	V-GST-100a-BDF
9 BED THROW FABRICATION DOUBLE	V-GST-102-BD
10 BED THROW FABRICATION QUEEN	V-GST-102Q-BD
11 BED THROW FABRICATION KING	V-GST-102K-BD
12 BEDSKIRT FABRICATION DOUBLE	V-GST-103Q-BD
13 BEDSKIRT FABRICATION QUEEN	V-GST-103Q-BD
14 BEDSKIRT FABRICATION KING	V-GST-103K-BD
15 BEDSKIRT FABRIC	V-GST-103a-BDF
16 MATTRESS AND BOXSPRING KING	V-GST-105-BD
17 BED BASE - KING	V-GST-105A-BD
18 MATTRESS AND BOXSPRING DOUBLE	V-GST-106-BD
19 BED BASE - DOUBLE	V-GST-106A-BD
20 MATTRESS AND BOXSPRING KING-ADA	V-GST-107-BD
21 BED BASE - KING ADA	V-GST-107B-BD
22 MATTRESS AND BOXSPRING DOUBLE ADA	V-GST-108-BD
23 BED BASE - DOUBLE ADA	V-GST-108A-BD
24 MATTRESS AND BOXSPRING QUEEN	V-GST-109-BD
25 BED BASE - QUEEN	V-GST-109A-BD
26 MATTRESS AND BOXSPRING QUEEN-ADA	V-GST-110-BA
27 ROMAN SHADE 4 ROLLER SHADE	V-GST-120-WT
28 ADA SLIDER SHADE AT ACCESSIBLE ROOMS	V-GST-123-WT
29 NOT USED	
30 SHEER AT FRENCH DOOR - NOT USED	V-GST-122-WT
31 SHEER FABRIC - NOT USED	V-GST-122a-WT
32 NECK ROLL PILLOW	V-GST-104-BD
CASEGOODS (200)	
33 DRESSER	V-GST-200-CG
34 DRESSER WITHOUT TOP - NOT USED	V-GST-200-1-CG
35 HEADBOARD - DD	V-GST-201D-CG
36 HEADBOARD - QUEEN	V-GST-201Q-CG
37 HEADBOARD - KING	V-GST-201K-CG
38 NIGHTSTAND-DD/CG	V-GST-202-CG
39 NIGHTSTAND-KING	V-GST-203-CG
40 DESK	V-GST-204-CG
41 DESK ON CASTERS	V-GST-205-CG
42 MICROFRIDGE CABINET/REFRESSER	V-GST-207-CG
43 MICROFRIDGE CABINET/REFRESSER W/O TOP - NOT USED	V-GST-207-1-CG
44 OVAL COFFEE TABLE	V-GST-209-CG
45 SMALL DRESSER - NOT USED	V-GST-214-CG
46 MICROFRIDGE CABINET - NOT USED	V-GST-215-CG
47 END TABLE	V-GST-216-CG
48 DESK PEDESTAL - NOT USED	V-GST-220-CG
49 DINING TABLE - NOT USED	V-GST-222-GST
50 HEADBOARD QUEEN	V-GST-225-CG
51 TELEPHONE/ DATA DUPLEX HOUSING	V-GST-226-CG
52 LARGE DESK (60")	V-GST-206-CG
53 WALL DESK	V-GST-208-CG
54 COFFEE TABLE W/CASTERS @ KING	V-GST-212-CG
55 VANITY BASE	V-GST-213-CG
56 VANITY BASE-ADA	V-GST-213-CG
CASEGOODS (300)	
57 TASK (DESK) CHAIR	V-GST-301-SG
58 SOFA SLEEPER	V-GST-302-SG
59 SOFA SLEEPER FABRIC	V-GST-302a-SGF
60 LOUNGE CHAIR	V-GST-304-SG
61 LOUNGE CHAIR FABRIC	V-GST-304a-SGF
62 SIDE CHAIR	V-GST-308-SG
63 SIDE CHAIR FABRIC	V-GST-308a-SGF
64 RECLINER - NOT USED	V-GST-309-SG
65 CHANGEOVER OR OPTIONAL SLEEPER SOFA	V-GST-300-SG
LAMPS / LIGHTING (400)	
66 BEDSIDE LAMP	V-GST-403-LT
67 NOT USED	
68 BATH CEILING FIXTURE	V-GST-401-LT
69 VANITY LIGHT AT BATH	V-GST-402-LT
70 FLOOR LAMP	V-GST-405-LT
71 VANITY LIGHT AT BATH-ADA	V-GST-406-LT
72 TABLE LAMP	V-GST-407-LT
73 CEILING LIGHT AT ENTRY	V-GST-408-LT
74 DESK LAMP-TALL	V-GST-409-LT
75 ENTRY SCIENCE - NOT USED	V-GST-414-LT
76 FLOOR LAMP W/O TABLE - NOT USED	V-GST-416-LT
77 SIDE SCIENCE	V-GST-400-LT
78 DESK LAMP-SHORT	V-GST-410-LT
79 TASK LAMP AT WALL DESK	V-GST-411-LT

FF#E SCHEDULE (CONTINUED)	
ART/ MIRRORS (500)	
80 FRAMED ARTWORK IN GUESTROOM	V-GST-500-AM
81 FRAMED ARTWORK IN GUESTROOM NOT USED	V-GST-500a-AM
82 FRAMED ARTWORK IN GUESTROOM NOT USED	V-GST-500b-AM
83 FULL LENGTH MIRROR	V-GST-501-AM
84 VANITY MIRROR	V-GST-503-AM
85 ARTIST MIRROR	V-GST-507-AM
86 ARTIST MIRROR	V-GST-505-AM
87 VANITY MIRROR - ADA	V-GST-504-AM
GUESTROOM MISC (600)	
88 MICRO FRIDGE UNIT	V-GST-601-MIS
89 MICROWAVE	V-GST-603-MIS
90 REFRIGERATOR	V-GST-602-MIS
91 32" FLAT PANEL TV	V-GST-602a-MIS
92 TV SWIVEL WALL MOUNT	V-GST-602a-MIS
93 COFFEE MAKER	V-GST-603-MIS
94 CLOCK RADIO	V-GST-606-MIS
95 BEDSIDE TELEPHONE	V-GST-605-MIS
96 SPEAKER TELEPHONE	V-GST-606-MIS
97 HAIR DRYER	V-GST-607-MIS
98 TOILET PAPER HOLDER	V-GST-608-MIS
99 SHOWER CURTAIN RACK	V-GST-609-MIS
100 TOWEL BAR	V-GST-610-MIS
101 DECORATIVE TOWEL SHELF	V-GST-611-MIS
102 FACIAL TISSUE DISPENSER	V-GST-612-MIS
103 KNOB HOOK	V-GST-613-MIS
104 SUIT HANGER MINI HOOK	V-GST-614-MIS
105 SKIRT HANGER MINI HOOK	V-GST-615-MIS
106 LUGGAGE RACK	V-GST-616-MIS
107 IRON, IRON BOARD 4 HOOK	V-GST-617-MIS
108 PTC	V-GST-618-MIS
109 PTC DIFFLECTOR	V-GST-618a-MIS
110 COAT CLOSET ROD W/O SHELF	V-GST-620-MIS
111 COAT CLOSET ROD W/ SHELF	V-GST-620a-MIS
112 GUESTROOM DOOR LOCK	V-GST-621-MIS
WALLCOVERING (800)	
113 NOT USED	NOT USED
KEY SCHEDULE	
1 CARPET PAD 4 BASE	
2 TEXTURE DRYWALL - REFER TO FINISH SCHEDULE	
3 CLOTHES ROD	
4 THRU-WALL AIR CONDITIONING UNIT ROUGH OPENING 3'-0" X 4'-4 1/4" MIN	
5 REINFORCING BLOCKING IN WALL	
6 TEXTURED CEILING - REFER TO FINISH SCHEDULE	
7 DOOR MOUNTED DOOR STOP	
8 WALL MOUNTED DOOR STOP	
9 DECORATIVE WOOD MOULDING	
10 2 PANEL METAL DOOR AND FRAME - PAINTED, REFER TO DOOR SCHEDULE-TESA LOCK HARDWARE	
11 NOT USED	
12 GYPSUM BOARD RETURN AT HEAD, JAMB & SILL	
13 TELEPHONE/ DATA DUPLEX HOUSING, PROVIDE 3/4" CONDUIT PULL	
14 TELEVISION OUTLET AT 2 CAT-5 OUTLETS IN A SINGLE ROW REFER TO FLOOR PLANS AND ELEVATIONS FOR DIMENSIONS AND LOCATION	
15 LIGHT SWITCH - REFER TO FLOOR PLANS AND ELEVATIONS FOR DIMENSIONS AND LOCATION	
16 TELEPHONE OUTLET - REFER TO FLOOR PLANS AND ELEVATIONS FOR DIMENSIONS AND LOCATION	
17 CONNECTING DOORS - SEE BUILDING PLAN FOR LOCATION	
18 20KV. OUTLET - REFER TO ELECTRICAL PLANS FOR MORE INFORMATION. ALWAYS LOCATE TO LEFT OF PTC.	
19 DUPLEX OUTLET - INSTALL HORIZONTALLY AT NIGHTSTANDS	
20 MOUNTING HEIGHT OF HEADBOARD, NIGHTSTAND WALL (AMPTS) BASED ON LOW PROFILE BOXSPRING	
21 1 STAT HEIGHT IS 48" IN HANDICAPPED ACCESSIBLE ROOMS AND 60" IN TYPICAL ROOMS	
DRAWING NOTES	
A. VINYL FLOORING WITH WOOD FLOORING TO BE INSTALLED AT 45° FROM THE ROOM AXIS. DETERMINE STARTING POINT FOR EACH ROW GO AS TO MAINTAIN A MINIMUM 1/2" LONG JOINT AT EDGES.	
GENERAL NOTES	
1. ELECTRICAL OUTLETS IN ADJACENT ROOMS OF THE SAME TYPE SHALL BE OFFSET A MAXIMUM OF 8" 4 SEP. BY STUD.	
2. REFER TO BUILDING PLANS FOR LOCATION OF GUEST ROOM TYPES.	
3. ALL PLAN DIMENSIONS ARE TO FACE OF STUD.	
4. REF. A32 THRU A34 FOR GUESTROOM BATHROOM FURNISHINGS.	
5. REF. A20 FOR PUBLIC RESTROOM FURNISHINGS.	
REFERENCE FINISH SELECTION BOOK FOR PAINT AND MATERIAL LEGEND.	
A FOR F.F.E. (V-GST-...) SCHEDULE SEE VIKRANT DESIGN SCENE MANUAL	
B REFER A-1 G FOR PARTITION TYPES	

DAMMON ENGINEERING, INC.
Architects & Engineers

LAQUINTA INNS & SUITES

501 CONSTITUTIONAL WESTMINSTER, LOUISIANA 71292

DATE: 02-03-2014
JOB No: 2196
DRAWN BY: JTL
CHECKED BY: CKD

REVISIONS

2/5/14

TWO ROOM ACCESSIBLE SUITE DETAILS

SHEET No: 36 OF 53

A28