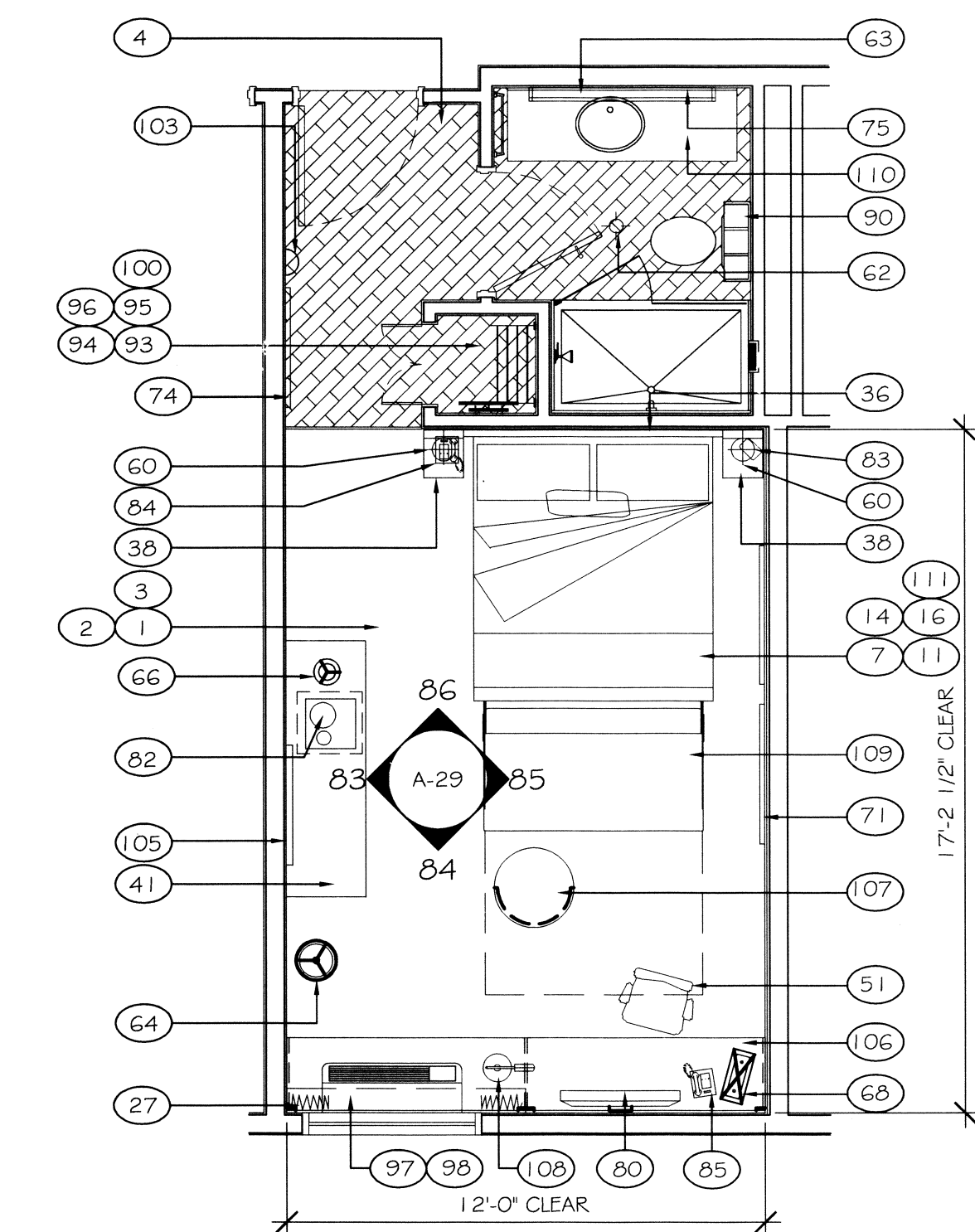
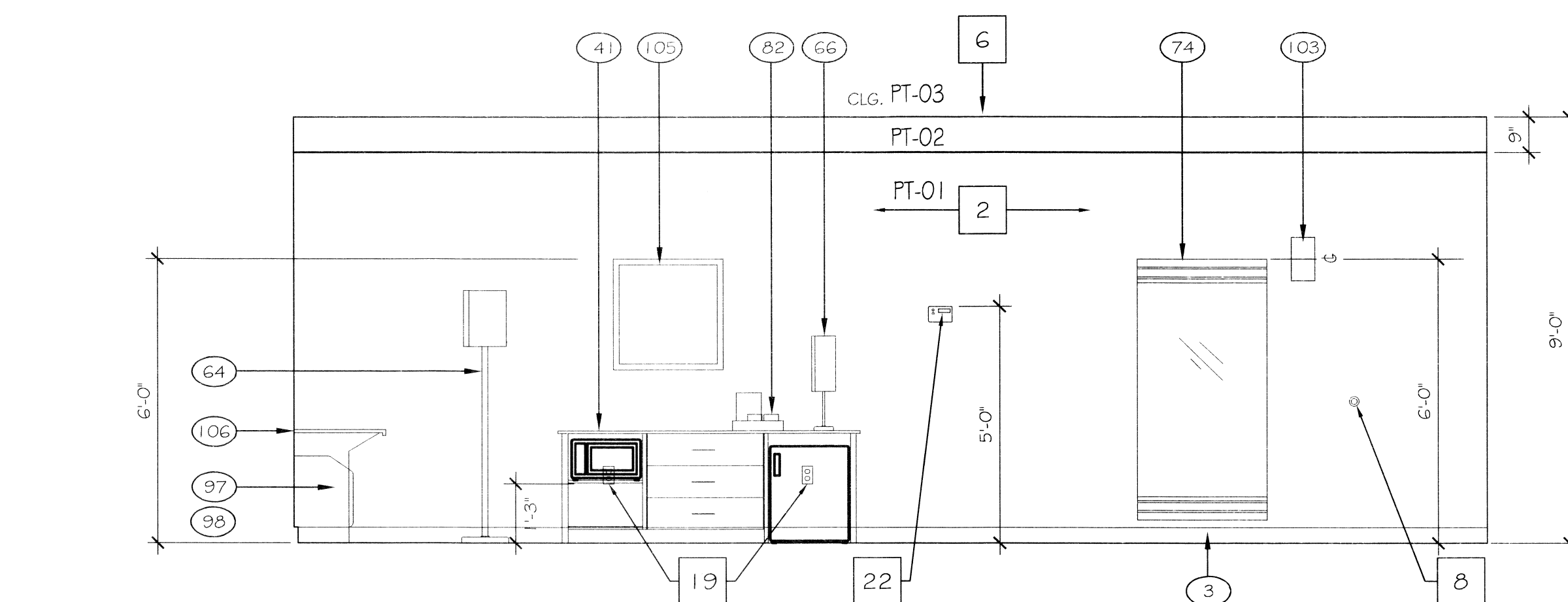


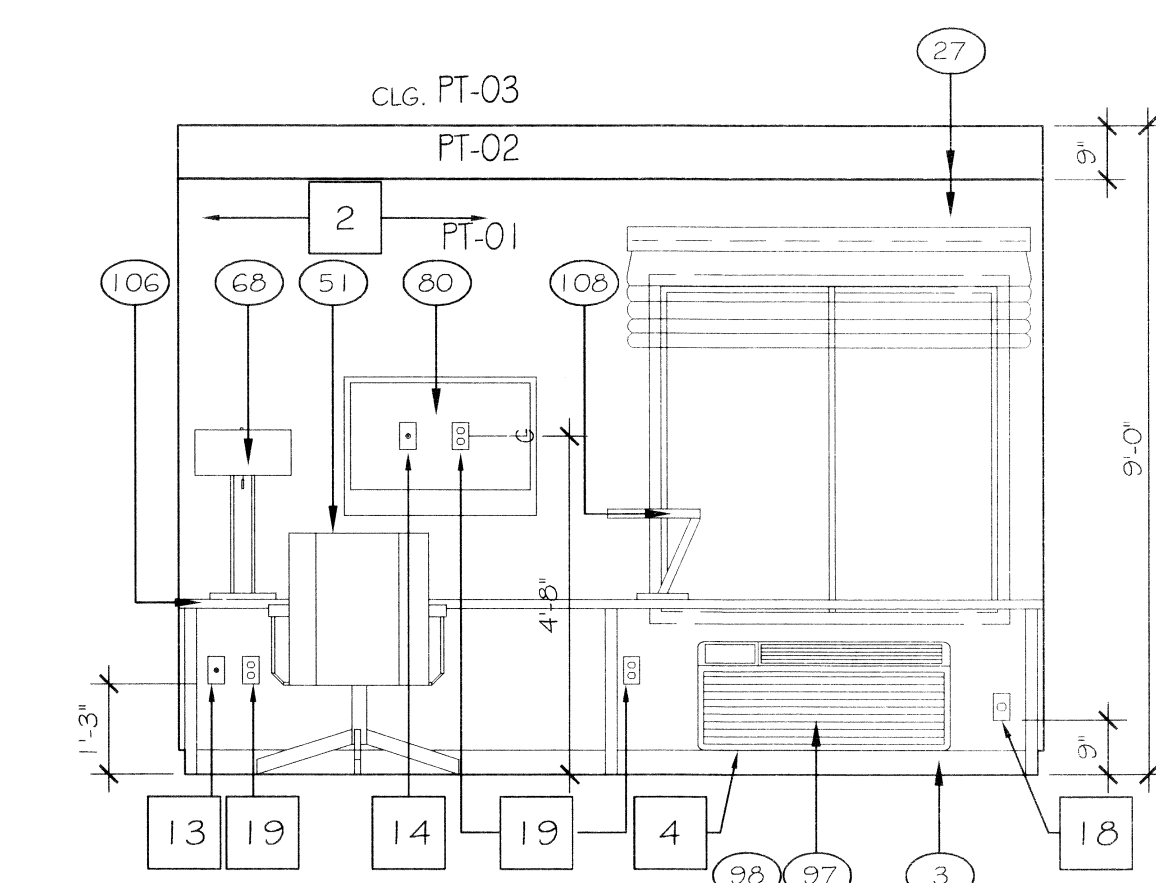
81 DIMENSIONAL CONTROL PLAN
SCALE: 1/4" = 1'-0"



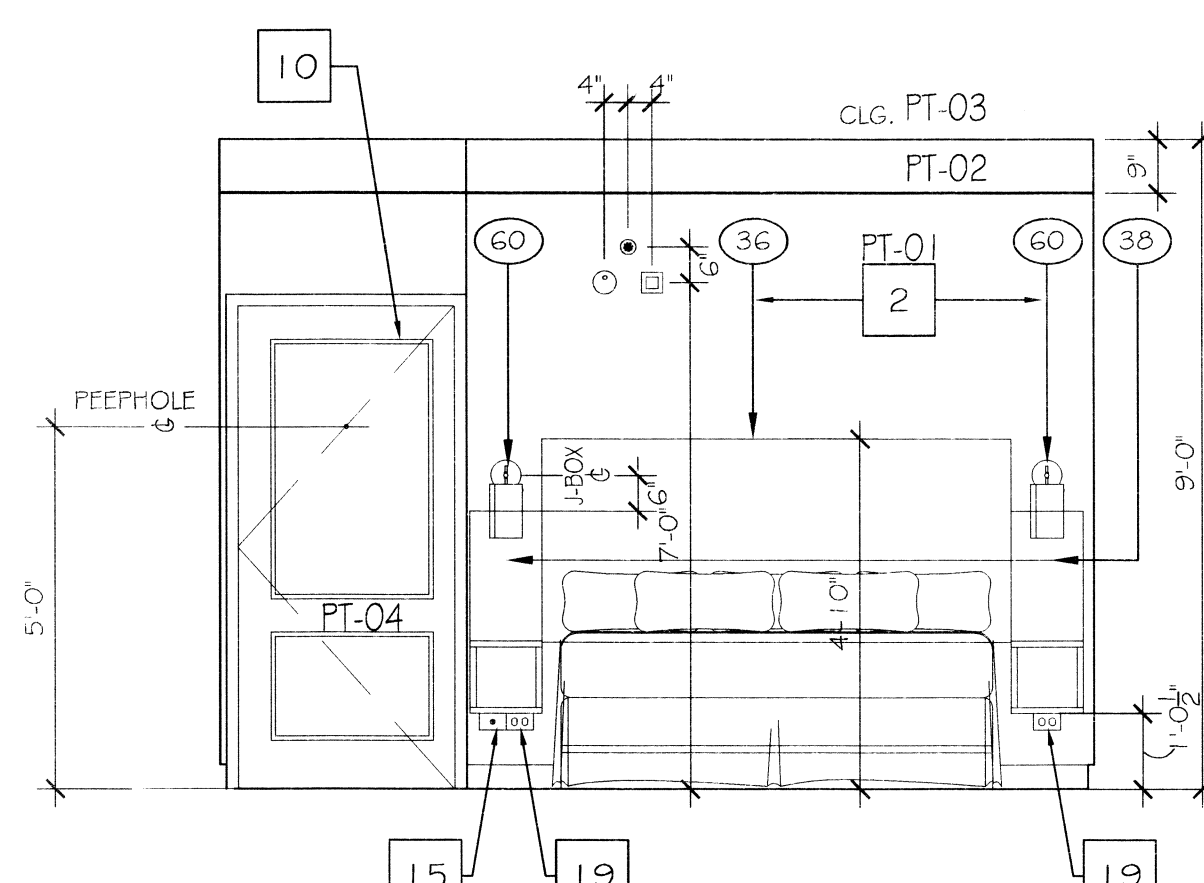
82 FURNITURE PLAN
SCALE: 1/4" = 1'-0"



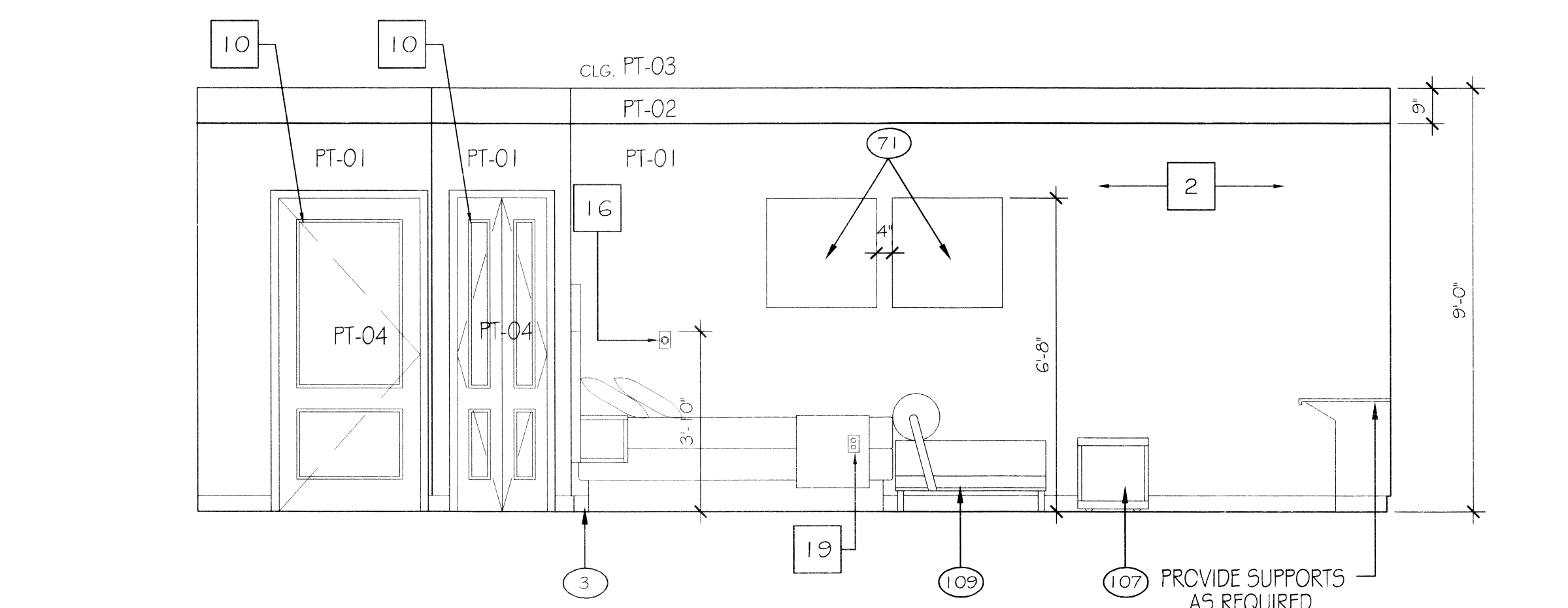
83 GUESTROOM ELEVATION
SCALE: 3/8" = 1'-0"



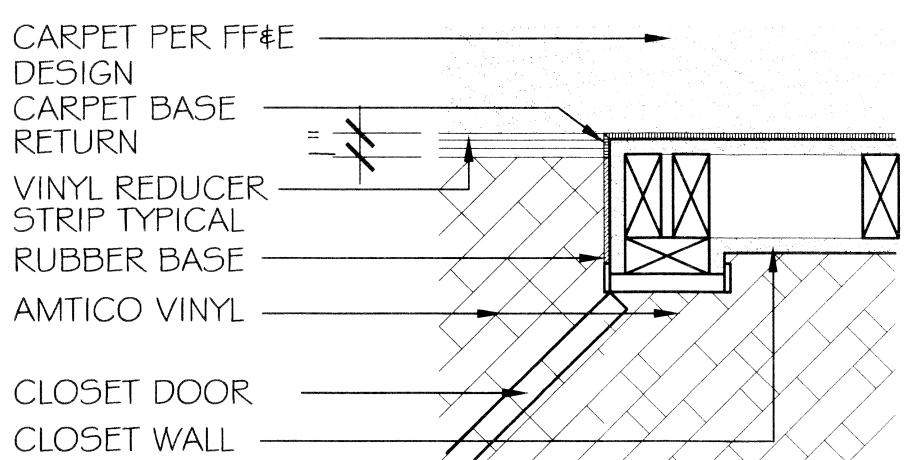
84 GUESTROOM ELEVATION
SCALE: 3/8" = 1'-0"



86 GUESTROOM ELEVATION
SCALE: 3/8" = 1'-0"



85 GUESTROOM ELEVATION
SCALE: 3/8" = 1'-0"



87 BASE TRANSITION DETAIL
SCALE: 1/8" = 1"
(AT CARPET AND AMTICCO VINYL FLOORING)
(TYPICAL FOR ALL GUESTROOMS)

DRAWING NOTES

A. VINYL FLOORING:
VINYL WOOD FLOORING TO BE INSTALLED AT 45° FROM THE ROOM AXIS. DETERMINE STARTING POINT FOR EACH ROW SO AS TO MAINTAIN A MINIMUM 1/2" LONG PIECE AT EDGES.

GENERAL NOTES

- ELECTRICAL OUTLETS IN ADJACENT ROOMS OF THE SAME TYPE SHALL BE OFFSET A MAXIMUM OF 8" & SEP. BY STUD.
- REFER TO BUILDING PLANS FOR LOCATION OF GUEST ROOM TYPES.
- ALL PLAN DIMENSIONS ARE TO FACE OF STUD.
- REF. A32 THRU A34 FOR GUESTROOM BATHROOM FURNISHINGS.
- REF. A20 FOR PUBLIC RESTROOM FURNISHINGS.

REFERENCE FINISH SELECTION BOOK FOR PAINT AND MATERIAL LEGEND. XX

A. FOR F.F.E (V-GST-...) SCHEDULE SEE VIBRANT DESIGN SCHEME MANUAL

B. REFER A-1 G FOR PARTITION TYPES

FF#E SCHEDULE	
CARPET / FLOORING (00)	
1 GUESTROOM CARPET	V-GST-001-CP
2 GUESTROOM CARPET PAD	V-GST-001a-CPP
3 GUESTROOM CARPET BASE	V-GST-001b-CPB
4 GUESTROOM BATH RESILIENT TILE	V-GST-002-RT
BEDDING / DRAPERY (100)	
5 COVERLET FABRICATION - DD	V-GST-100D-BD
6 COVERLET FABRICATION - QUEEN	V-GST-100Q-BD
7 COVERLET FABRICATION - KING	V-GST-101-BD
8 COVERLET FABRIC	V-GST-100a-BDF
9 BED THROW FABRICATION DOUBLE	V-GST-102D-BD
10 BED THROW FABRICATION QUEEN	V-GST-102Q-BD
11 BED THROW FABRICATION KING	V-GST-102K-BD
12 BEDSKIRT FABRICATION DOUBLE	V-GST-103D-BD
13 BEDSKIRT FABRICATION QUEEN	V-GST-103Q-BD
14 BEDSKIRT FABRICATION KING	V-GST-103K-BD
15 BEDSKIRT FABRIC	V-GST-103a-BDF
16 MATTRESS AND BOXSPRING KING	V-GST-105-BD
17 BED BASE - KING	V-GST-105A-BD
18 MATTRESS AND BOXSPRING DOUBLE	V-GST-106-BD
19 BED BASE - DOUBLE	V-GST-106A-BD
20 MATTRESS AND BOXSPRING KING-ADA	V-GST-107-BD
21 BED BASE - KING ADA	V-GST-107B-BD
22 MATTRESS AND BOXSPRING DOUBLE-ADA	V-GST-108-BD
23 BED BASE - DOUBLE ADA	V-GST-108A-BD
24 MATTRESS AND BOXSPRING QUEEN	V-GST-109-BD
25 BED BASE - QUEEN	V-GST-109A-BD
26 MATTRESS AND BOXSPRING QUEEN-ADA	V-GST-110-BA
27 ROMAN SHADE & ROLLER SHADE	V-GST-120-WT
28 ADA SLIDER SHADE AT ACCESSIBLE ROOMS	V-GST-123-WT
29 NOT USED	-
30 SHEER AT FRENCH DOOR - NOT USED	V-GST-122-WT
31 SHEER FABRIC - NOT USED	V-GST-122a-WT
32 NECK ROLL PILLOW	V-GST-104-BD
CASEGOODS (200)	
33 DRESSER	V-GST-200-CG
34 DRESSER WITHOUT TOP - NOT USED	V-GST-200.1-CG
35 HEADBOARD - DD	V-GST-201D-CG
36 HEADBOARD - QUEEN	V-GST-201Q-CG
37 HEADBOARD - KING	V-GST-201K-CG
38 NIGHTSTAND-DD/QQ	V-GST-202-CG
39 NIGHTSTAND-KING	V-GST-203-CG
40 DESK	V-GST-204-CG
41 DESK ON CASTERS	V-GST-205-CG
42 MICROFRIDGE CABINET/DRESSER	V-GST-207-CG
43 MICROFRIDGE CABINET/DRESSER W/O TOP - NOT USED	V-GST-207.1-CG
44 OVAL COFFEE TABLE	V-GST-209-CG
45 SMALL DRESSER - NOT USED	V-GST-214-CG
46 MICROFRIDGE CABINET - NOT USED	V-GST-215-CG
47 END TABLE	V-GST-216-CG
48 DESK PEDESTAL - NOT USED	V-GST-220-CG
49 DINING TABLE - NOT USED	V-GST-222-GST
50 HEADBOARD QUEEN	V-GST-225-CG
51 LARGE DESK (60")	V-GST-226-CG
52 WALL DESK	V-GST-206-CG
53 COFFEE TABLE W/CASTERS @ KING	V-GST-208-CG
54 VANITY BASE	V-GST-212-CG
55 VANITY BASE-ADA	V-GST-213-CG
CASEGOODS (300)	
56 TASK (DESK) CHAIR	V-GST-301-SG
57 SOFA SLEEPER	V-GST-302-SG
58 SOFA SLEEPER FABRIC	V-GST-302a-SGF
59 LOUNGE CHAIR	V-GST-304-SG
60 LOUNGE CHAIR FABRIC	V-GST-304a-SGF
61 SIDE CHAIR	V-GST-306-SG
62 SIDE CHAIR FABRIC	V-GST-306a-SGF
63 RECLINER - NOT USED	V-GST-309-SG
64 RECLINER FABRIC - NOT USED	V-GST-309a-SGF
65 CHAISE/LOUNGE OR OPTIONAL SLEEPER SOFA	V-GST-300-SG
LAMPS / LIGHTING (400)	
66 BEDSIDE LAMP	V-GST-403-LT
67 NOT USED	-
68 BATH CEILING FIXTURE	V-GST-401-LT
69 VANITY LIGHT AT BATH	V-GST-402-LT
70 FLOOR LAMP	V-GST-405-LT
71 VANITY LIGHT AT BATH - ADA	V-GST-406-LT
72 TABLE LAMP	V-GST-407-LT
73 CEILING LIGHT AT ENTRY	V-GST-408-LT
74 DESK LAMP-TALL	V-GST-409-LT
75 ENTRY SCONCE - NOT USED	V-GST-414-LT
76 FLOOR LAMP W/O TABLE - NOT USED	V-GST-416-LT
77 SIDE SCONCE	V-GST-400-LT
78 DESK LAMP-SHORT	V-GST-410-LT
79 TASK LAMP AT WALL DESK	V-GST-411-LT

FF#E SCHEDULE (CONTINUED)	
ART/ MIRRORS (500)	
71 FRAMED ARTWORK IN GUESTROOM	V-GST-500-ART
72 FRAMED ARTWORK IN GUESTROOM-NOT USED	V-GST-500a-ART
73 FRAMED ARTWORK IN GUESTROOM-NOT USED	V-GST-500c-ART
74 FULL LENGTH MIRROR	V-GST-501-MR
75 VANITY MIRROR	V-GST-503-ART
76 ARTIST MIRROR	V-GST-507-MR
77 ARTIST MIRROR	V-GST-505-MR
78 VANITY MIRROR - ADA	V-GST-504-ART
GUESTROOM MISC (600)	
79 MICRO-FRIDGE UNIT	V-GST-601-MISC
80 MICROWAVE	V-GST-600a-M5C
81 REFRIGERATOR	V-GST-601b-M5C
82 32" FLAT PANEL TV	V-GST-602-M5C
83 TV SWIVEL WALL MOUNT	V-GST-602a-M5C
84 COFFEE MAKER	V-GST-603-M5C
85 CLOCK RADIO	V-GST-604-M5C
86 BEDSIDE TELEPHONE	V-GST-605-M5C
87 SPEAKER TELEPHONE	V-GST-606-M5C
88 HAIR DRYER	V-GST-607-M5C
89 TOILET PAPER HOLDER	V-GST-608-M5C
90 SHOWER CURTAIN ROD	V-GST-609-M5C
91 TOWEL BAR	V-GST-610-M5C
92 DECORATIVE TOWEL SHELF	V-GST-611-M5C
93 FASCIAL TISSUE DISPENSER	V-GST-612-M5C
94 ROBE HOOK	V-GST-613-M5C
95 SUIT HANGER MINI HOOK	V-GST-614A-M5C
96 SKIRT HANGER MINI HOOK	V-GST-614B-M5C
97 LUGGAGE RACK	V-GST-615-M5C
98 IRON, IRON BOARD & HOOK	V-GST-616-M5C
99 PTAC	V-GST-617-M5C
100 PTAC DIFLECTOR	V-GST-618-M5C
101 COAT CLOSET ROD W/O SHELF	V-GST-619-M5C
102 COAT CLOSET ROD W/ SHELF	V-GST-620-M5C
103 GUESTROOM DOOR LOCK	V-GST-621-M5C
WALLCOVERING (800)	
104 NOT USED	NOT USED

KEY SCHEDULE	
1	CARPET PAD & BASE
2	TEXTURE DRYWALL - REFER TO FINISH SCHEDULE
3	CLOTHES ROD
4	THRU - WALL AIR CONDITIONING UNIT ROUGH OPENING 3' 6-1/8" X 1' 4-1/4" MIN.
5	REINFORCING BLOCKING IN WALL
6	TEXTURED CEILING - REFER TO FINISH SCHEDULE
7	DOOR MOUNTED DOOR STOP
8	WALL MOUNTED DOOR STOP
9	DECORATIVE WOOD MOULDING
10	2 PANEL METAL DOOR AND FRAME - PAINTED, REFER TO DOOR SCHEDULE, TESA LOCK HARDWARE
11	NOT USED
12	GYPSUM BOARD RETURN AT HEAD, JAMB & SILL
13	TELEPHONE/ DATA DUPLEX HOUSING, PROVIDE 3/4" CONDUIT PULL
14	TELEVISION OUTLET w/ 2-CAT-5 OUTLETS IN A SINGLE 'J' BOX. REFER TO FLOOR PLANS AND ELEVATIONS FOR DIMENSIONS AND LOCATION.
15	TELEPHONE OUTLET, REFER TO FLOOR PLANS AND ELEVATIONS FOR DIMENSIONS AND LOCATION.
16	LIGHT SWITCH, REFER TO FLOOR PLANS AND ELEVATIONS FOR DIMENSIONS AND LOCATION. ILLUMINATED SWITCH AT ENTRY AND BATHROOM
17	CONNECTING DOORS. SEE BUILDING PLAN FOR LOCATION
18	208V. OUTLET, REFER TO ELECTRICAL PLANS FOR MORE INFORMATION. ALWAYS LOCATE TO LEFT OF PTAC.
19	DUPLEX OUTLET, INSTALL HORIZONTALLY AT NIGHTSTANDS.
20	QUAD OUTLET
21	MOUNTING HEIGHT OF HEADBOARD, NIGHTSTAND WALL LAMP(S) BASED ON LOW PROFILE BOXSPRING
22	T-STAT HEIGHT IS 48" IN HANDICAPPED ACCESSIBLE ROOMS AND 60" IN TYPICAL ROOMS.

DAMMON ENGINEERING, INC.
Architects & Engineers

DAMMON ENGINEERING, INC.
554 OLD SPANISH TRAIL
SUITE 200
DALLAS, TEXAS 75241
TEL: 972-661-1977
FAX: 972-661-1977

CHIEF ENGINEER: BRIAN MISTICH, P.E.
CHIEF ARCHITECT: KEVIN KINCHEN
554 OLD SPANISH TRAIL
SUITE 200
DALLAS, TEXAS 75241
TEL: 972-661-1977

DATE: 02-03-2014
JOB No: 2196
DRAWN BY: JTL
CHECKED BY: CKD

LAQUINTA INNS & SUITES

S.U. CONSULTING, INC.
WEST BAYVIEW, LUBBOCK, TX 79424

REVISIONS

2/5/14

KING SUITE DETAILS

SHEET No. 37 OF 53

A29