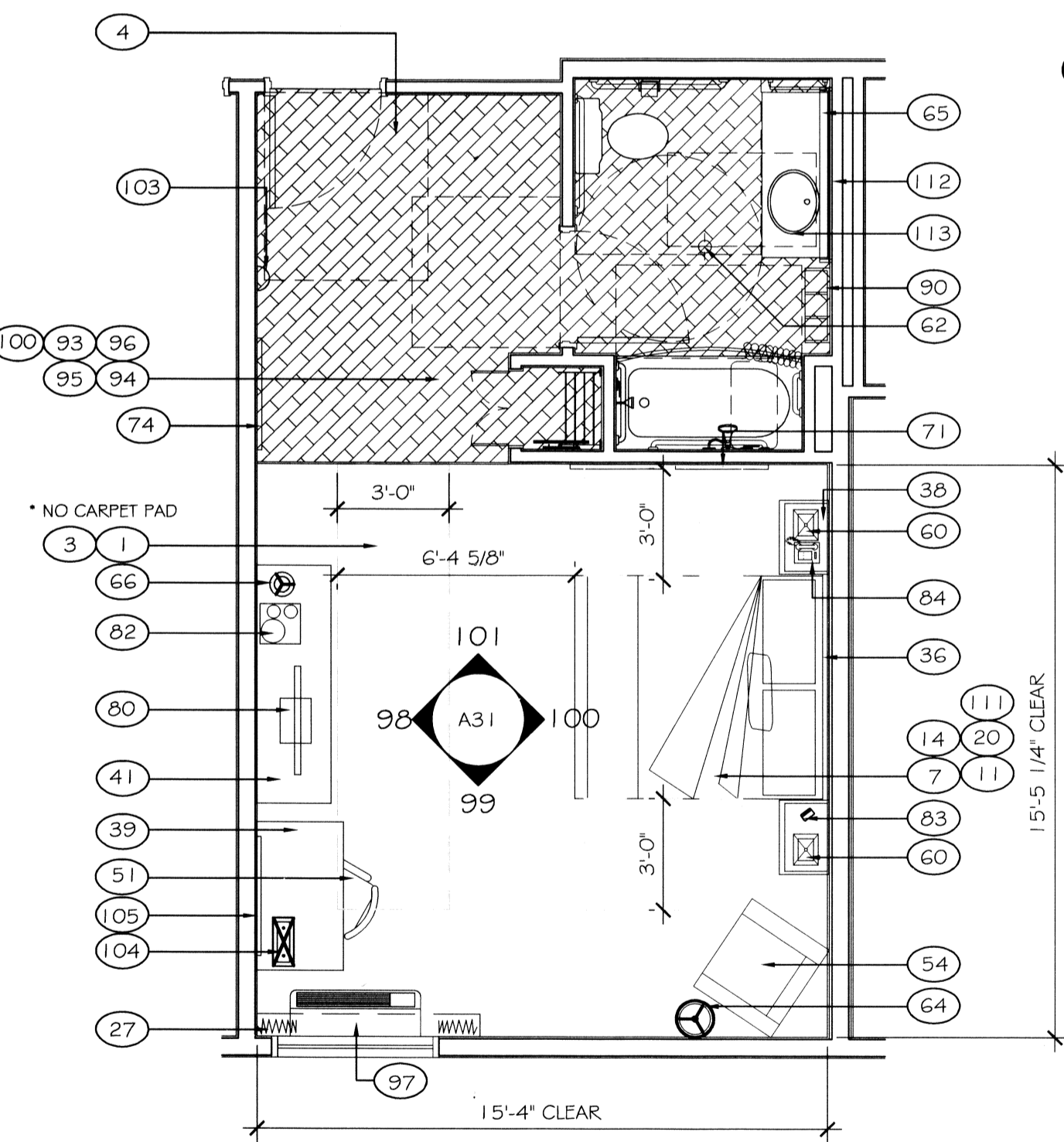
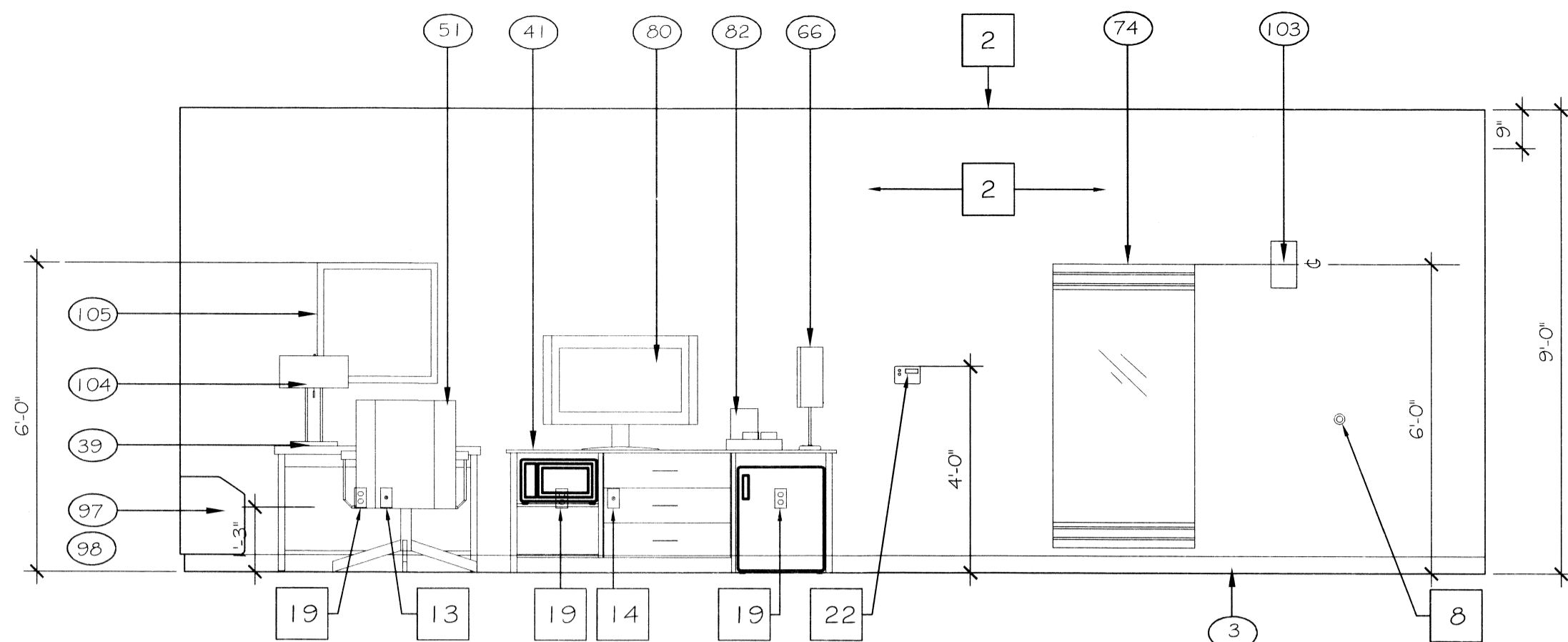


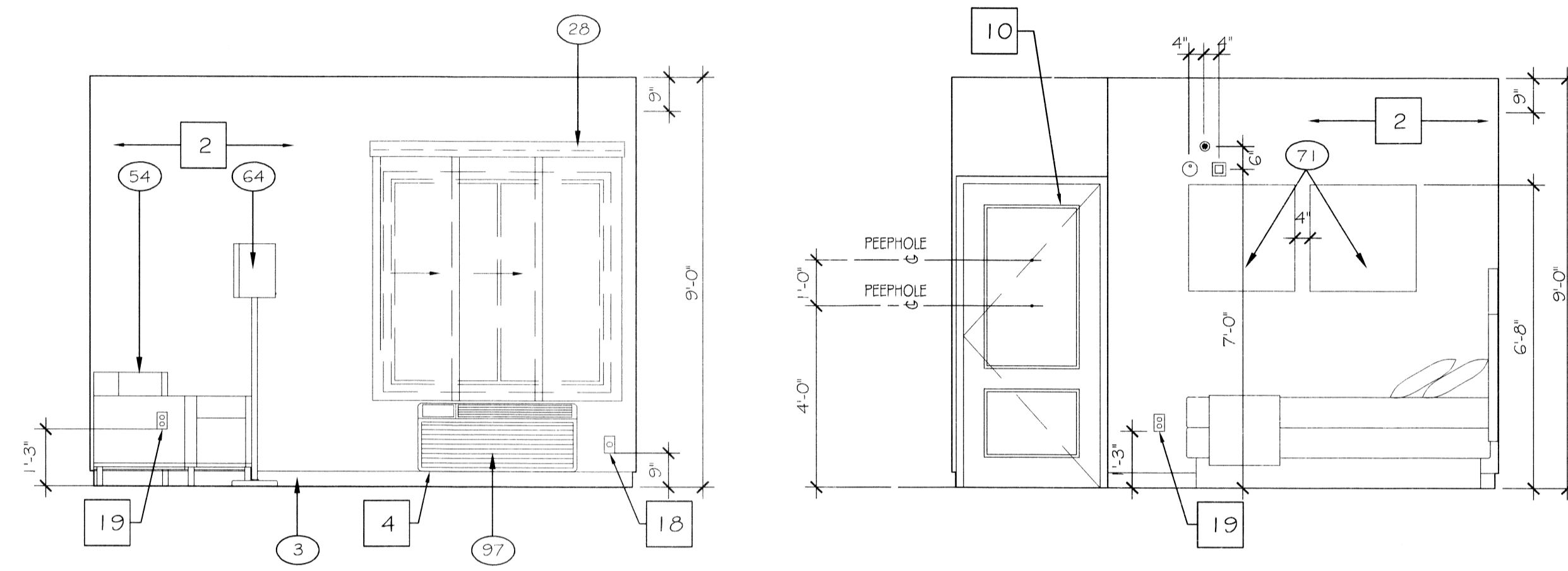
96 DIMENSIONAL CONTROL PLAN
SCALE: 1/4" = 1'-0"



97 FURNITURE PLAN
SCALE: 1/4" = 1'-0"

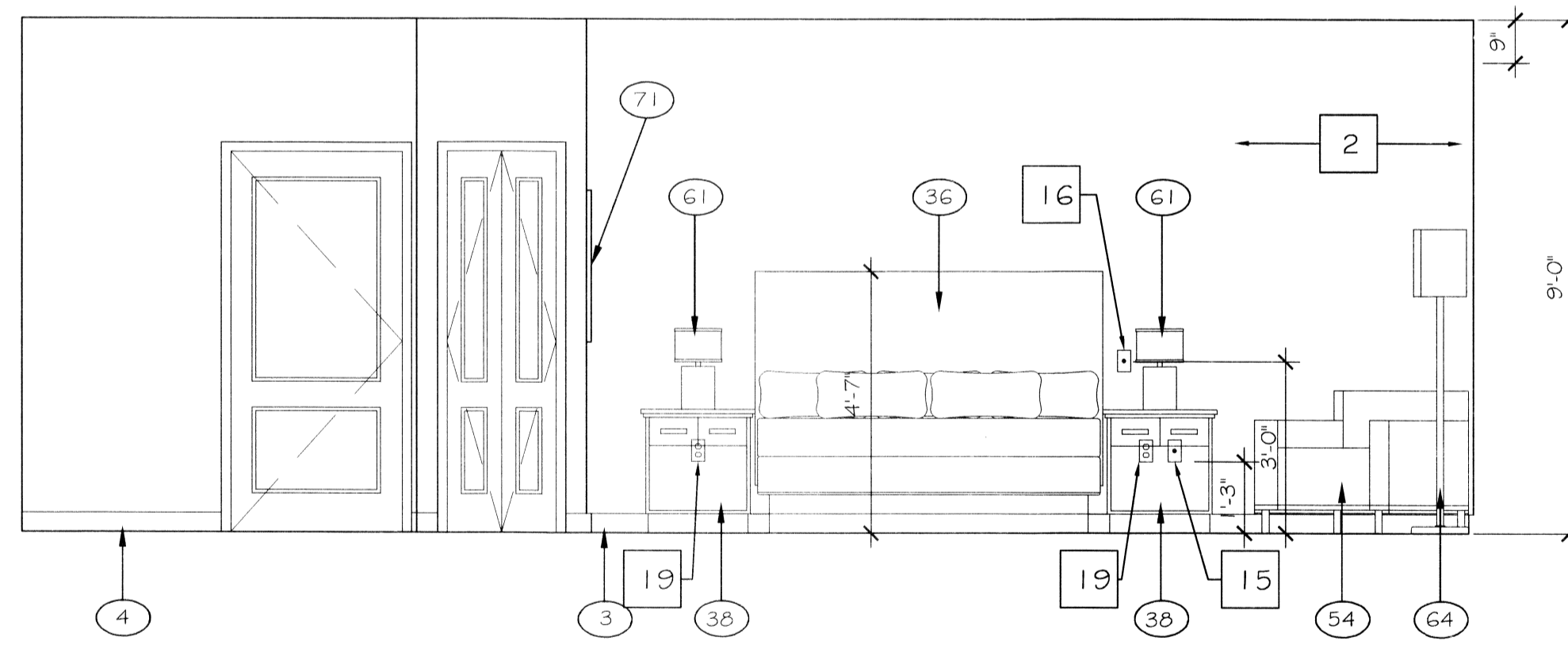


98 GUESTROOM ELEVATION
SCALE: 3/8" = 1'-0"



99 GUESTROOM ELEVATION
SCALE: 3/8" = 1'-0"

101 GUESTROOM ELEVATION
SCALE: 3/8" = 1'-0"



100 GUESTROOM ELEVATION
SCALE: 3/8" = 1'-0"

FF&E SCHEDULE	
CARPET / FLOORING (00)	
1 GUESTROOM CARPET	V-GST-001-CP
2 GUESTROOM CARPET PAD	V-GST-001a-CPF
3 GUESTROOM CARPET BASE	V-GST-001b-CPB
4 GUESTROOM BATH RESILIENT TILE	V-GST-002-RT
BEDDING / DRAPERY (100)	
5 COVERLET FABRICATION - DD	V-GST-100D-BD
6 COVERLET FABRICATION - QUEEN	V-GST-100Q-BD
7 COVERLET FABRICATION - KING	V-GST-101-BD
8 COVERLET FABRIC	V-GST-100a-BDF
9 BED THROW FABRICATION DOUBLE	V-GST-102D-BD
10 BED THROW FABRICATION QUEEN	V-GST-102Q-BD
11 BED THROW FABRICATION KING	V-GST-102K-BD
12 BEDSKIRT FABRICATION DOUBLE	V-GST-103D-BD
13 BEDSKIRT FABRICATION QUEEN	V-GST-103Q-BD
14 BEDSKIRT FABRICATION KING	V-GST-103K-BD
15 BEDSKIRT FABRIC	V-GST-103a-BDF
16 MATTRESS AND BOXSPRING KING	V-GST-105-BD
17 BED BASE - KING	V-GST-105A-BD
18 MATTRESS AND BOXSPRING DOUBLE	V-GST-106-BD
19 BED BASE - DOUBLE	V-GST-106A-BD
20 MATTRESS AND BOXSPRING KING-ADA	V-GST-107-BD
21 BED BASE - KING ADA	V-GST-107B-BD
22 MATTRESS AND BOXSPRING DOUBLE-ADA	V-GST-108-BD
23 BED BASE - DOUBLE ADA	V-GST-108A-BD
24 MATTRESS AND BOXSPRING QUEEN	V-GST-109-BD
25 BED BASE - QUEEN	V-GST-109A-BD
26 MATTRESS AND BOXSPRING QUEEN-ADA	V-GST-110-BA
27 ROMAN SHADE 4 ROLLER SHADE	V-GST-120-WT
28 ADA SLIDER SHADE AT ACCESSIBLE ROOMS	V-GST-123-WT
29 NOT USED	-
30 SHEER AT FRENCH DOOR - NOT USED	V-GST-122-WT
31 SHEER FABRIC - NOT USED	V-GST-122a-WT
32 NECK ROLL PILLOW	V-GST-104-BD
CASEGOODS (200)	
33 DRESSER	V-GST-200-CG
34 DRESSER WITHOUT TOP - NOT USED	V-GST-200.1-CG
35 HEADBOARD - DD	V-GST-201D-CG
36 HEADBOARD - QUEEN	V-GST-201Q-CG
37 HEADBOARD - KING	V-GST-201K-CG
38 NIGHTSTAND-DD/QQ	V-GST-202-CG
39 NIGHTSTAND-KING	V-GST-203-CG
40 DESK	V-GST-204-CG
41 DESK ON CASTERS	V-GST-205-CG
42 MICROFRIDGE CABINET/DRESSER	V-GST-207-CG
43 MICROFRIDGE CABINET/DRESSER W/O TOP - NOT USED	V-GST-207.1-CG
44 OVAL COFFEE TABLE	V-GST-209-CG
45 SMALL DRESSER - NOT USED	V-GST-214-CG
46 MICROFRIDGE CABINET - NOT USED	V-GST-215-CG
47 END TABLE	V-GST-216-CG
48 DESK PEDESTAL - NOT USED	V-GST-220-CG
49 DINING TABLE - NOT USED	V-GST-222-GST
50 HEADBOARD QUEEN	V-GST-225-CG
51 LARGE DESK (60")	V-GST-226-CG
52 WALL DESK	V-GST-206-CG
53 COFFEE TABLE W/CASTERS @ KING	V-GST-208-CG
54 VANITY BASE	V-GST-212-CG
55 VANITY BASE-ADA	V-GST-213-CG
CASEGOODS (300)	
56 TASK (DESK) CHAIR	V-GST-301-SG
57 SOFA SLEEPER	V-GST-302-SG
58 SOFA SLEEPER FABRIC	V-GST-302a-SGF
59 LOUNGE CHAIR	V-GST-304-SG
60 LOUNGE CHAIR FABRIC	V-GST-304a-SGF
61 SIDE CHAIR	V-GST-308-SG
62 SIDE CHAIR FABRIC	V-GST-308a-SGF
63 RECLINER - NOT USED	V-GST-309-SG
64 RECLINER FABRIC - NOT USED	V-GST-309a-SGF
65 CHAISE/LOUNGE OR OPTIONAL SLEEPER SOFA	V-GST-300-SG
LAMPS / LIGHTING (400)	
66 BEDSIDE LAMP	V-GST-403-LT
67 NOT USED	-
68 BATH CEILING FIXTURE	V-GST-401-LT
69 VANITY LIGHT AT BATH	V-GST-402-LT
70 FLOOR LAMP	V-GST-405-LT
71 VANITY LIGHT AT BATH - ADA	V-GST-406-LT
72 TABLE LAMP	V-GST-407-LT
73 CEILING LIGHT AT ENTRY	V-GST-408-LT
74 DESK LAMP-TALL	V-GST-409-LT
75 ENTRY SCIENCE - NOT USED	V-GST-414-LT
76 FLOOR LAMP W/O TABLE - NOT USED	V-GST-416-LT
77 SIDE SCIENCE	V-GST-400-LT
78 DESK LAMP-SHORT	V-GST-410-LT
79 TASK LAMP AT WALL DESK	V-GST-411-LT

FF&E SCHEDULE (CONTINUED)	
ART/ MIRRORS (500)	
71 FRAMED ARTWORK IN GUESTROOM	V-GST-500-ART
72 FRAMED ARTWORK IN GUESTROOM-NOT USED	V-GST-500a-ART
73 FRAMED ARTWORK IN GUESTROOM-NOT USED	V-GST-500c-ART
74 FULL LENGTH MIRROR	V-GST-501-MR
75 VANITY MIRROR	V-GST-503-ART
76 ARTIST MIRROR	V-GST-507-MR
77 ARTIST MIRROR	V-GST-505-MR
78 VANITY MIRROR - ADA	V-GST-504-ART
GUESTROOM MISC (600)	
79 MICRO-FRIDGE UNIT	V-GST-601-MISC
80 MICROWAVE	V-GST-600a-MISC
81 REFRIGERATOR	V-GST-601b-MISC
82 32" FLAT PANEL TV	V-GST-602-M5C
83 TV SWIVEL WALL MOUNT	V-GST-602a-M5C
84 COFFEE MAKER	V-GST-603-M5C
85 CLOCK RADIO	V-GST-604-M5C
86 BEDSIDE TELEPHONE	V-GST-605-M5C
87 SPEAKER TELEPHONE	V-GST-606-M5C
88 HAIR DRYER	V-GST-607-M5C
89 TOILET PAPER HOLDER	V-GST-608-M5C
90 SHOWER CURTAIN ROD	V-GST-609-M5C
91 TOWEL BAR	V-GST-610-M5C
92 DECORATIVE TOWEL SHELF	V-GST-611-M5C
93 FACIAL TISSUE DISPENSER	V-GST-612-M5C
94 ROBE HOOK	V-GST-613-M5C
95 SUIT HANGER MINI HOOK	V-GST-614A-M5C
96 SKIRT HANGER MINI HOOK	V-GST-614B-M5C
97 LUGGAGE RACK	V-GST-615-M5C
98 IRON, IRON BOARD 4 HOOK	V-GST-616-M5C
99 PTAC	V-GST-617-M5C
100 PTAC DIFFLECTOR	V-GST-618-M5C
101 COAT CLOSET ROD W/O SHELF	V-GST-619-M5C
102 COAT CLOSET ROD W/ SHELF	V-GST-620-M5C
103 GUESTROOM DOOR LOCK	V-GST-621-M5C
WALLCOVERING (800)	
104 NOT USED	NOT USED
KEY SCHEDULE	
1 CARPET PAD 4 BASE	
2 TEXTURE DRYWALL - REFER TO FINISH SCHEDULE	
3 CLOTHES ROD	
4 THRU - WALL AIR CONDITIONING UNIT ROUGH OPENING 3'-11/8" X 1'-4 1/4" MIN.	
5 REINFORCING BLOCKING IN WALL	
6 TEXTURED CEILING - REFER TO FINISH SCHEDULE	
7 DOOR MOUNTED DOOR STOP	
8 WALL MOUNTED DOOR STOP	
9 DECORATIVE WOOD MOULDING	
10 2 PANEL METAL DOOR AND FRAME - PAINTED, REFER TO DOOR SCHEDULE, TESA LOCK HARDWARE	
11 NOT USED	
12 GYPSUM BOARD RETURN AT HEAD, JAMB 4 SILL	
13 TELEPHONE/DATA DUPLEX HOUSING, PROVIDE 34Y CONDUIT PULL	
14 TELEVISION OUTLET w/ 2-CAT-5 OUTLETS IN A SINGLE "J" BOX, REFER TO FLOOR PLANS AND ELEVATIONS FOR DIMENSIONS AND LOCATION.	
15 TELEPHONE OUTLET, REFER TO FLOOR PLANS AND ELEVATIONS FOR DIMENSIONS AND LOCATION.	
16 LIGHT SWITCH, REFER TO FLOOR PLANS AND ELEVATIONS FOR DIMENSIONS AND LOCATION. ILLUMINATED SWITCH AT ENTRY AND BATHROOM	
17 CONNECTING DOORS, SEE BUILDING PLAN FOR LOCATION	
18 20BY. OUTLET, REFER TO ELECTRICAL PLANS FOR MORE INFORMATION. ALWAYS LOCATE TO LEFT OF PTAC	
19 DUPLEX OUTLET, INSTALL HORIZONTALLY AT NIGHTSTANDS.	
20 QUAD OUTLET	
21 MOUNTING HEIGHT OF HEADBOARD, NIGHTSTAND WALL LAMP(S) BASED ON LOW PROFILE BOXSPRING.	
22 T-SLAT HEIGHT IS 48" IN HANDICAPPED ACCESSIBLE ROOMS AND 60" IN TYPICAL ROOMS.	
DRAWING NOTES	
A. VINYL FLOORING: VINYL WOOD FLOORING TO BE INSTALLED AT 45° FROM THE ROOM AXIS. DETERMINE STARTING POINT FOR EACH ROW SO AS TO MAINTAIN A MINIMUM 12" LONG PIECE AT EDGES.	
GENERAL NOTES	
1. ELECTRICAL OUTLETS IN ADJACENT ROOMS OF THE SAME TYPE SHALL BE OFFSET A MAXIMUM OF 8" 4 SEP. BY STUD.	
2. REFER TO BUILDING PLANS FOR LOCATION OF GUEST ROOM TYPES.	
3. ALL PLAN DIMENSIONS ARE TO FACE OF STUD	
4. REF. A32 THRU A34 FOR GUESTROOM BATHROOM FURNISHINGS.	
5. REF. A20 FOR PUBLIC RESTROOM FURNISHINGS.	
REFERENCE FINISH SELECTION BOOK FOR PAINT AND MATERIAL LEGEND. XX	
A FOR F.F.E (V-GST-...) SCHEDULE SEE VIBRANT DESIGN SCHEME MANUAL	
B REFER A-16 FOR PARTITION TYPES	

DAMMON ENGINEERING, INC.
Architects & Engineers

DAMMON ENGINEERING, INC.
1501 WEST WILLOW AVE., SUITE 100
DENVER, CO 80202
PHONE: 955-649-5632
FAX: 955-641-5950

CHIEF ENGINEER: BRIAN MISTICH, P.E.
CHIEF ARCHITECT: KEVIN KUCHEN
5544 OLD SPANISH TRAIL
SUITE 100, LA TORRE, CA 90240

JOB No: 2196 DATE: 02-03-2014
DRAWN BY: JTL CHECKED BY: CKD

REVISIONS

ACCESSIBLE KING SUITE DETAILS

SHEET No: 39 OF 53

A31