

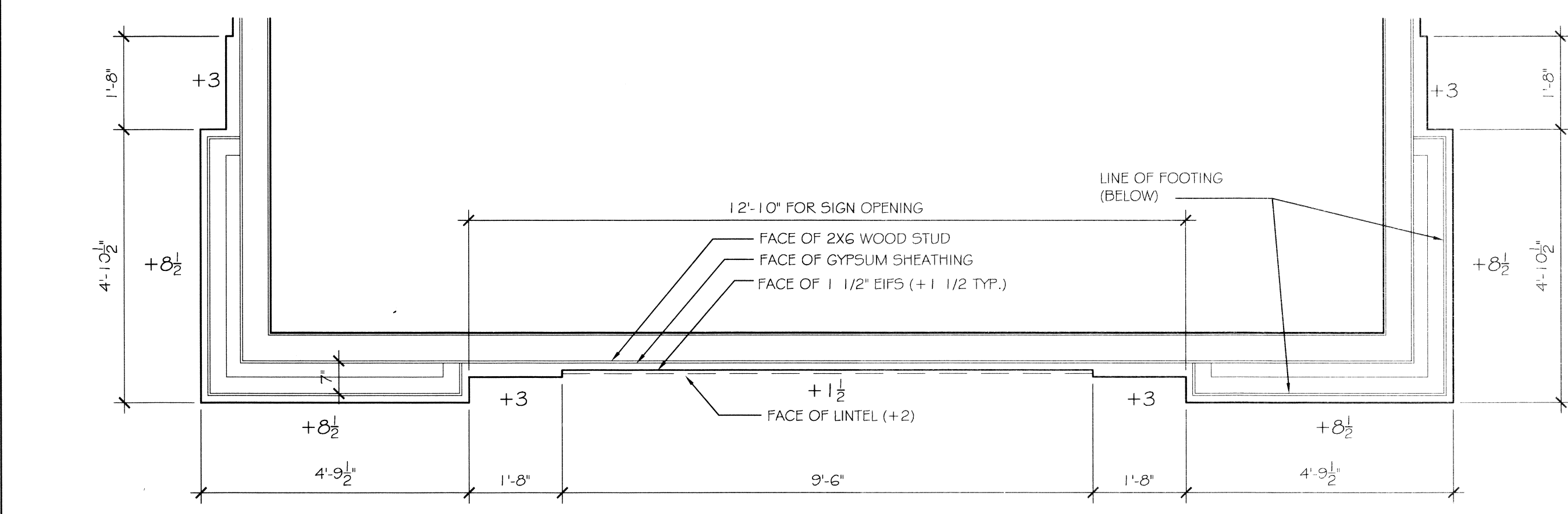
**16** ELEVATION DETAILS  
SCALE: 1/2" = 1'-0"

**15** ELEVATION DETAILS  
SCALE: 1/2" = 1'-0"

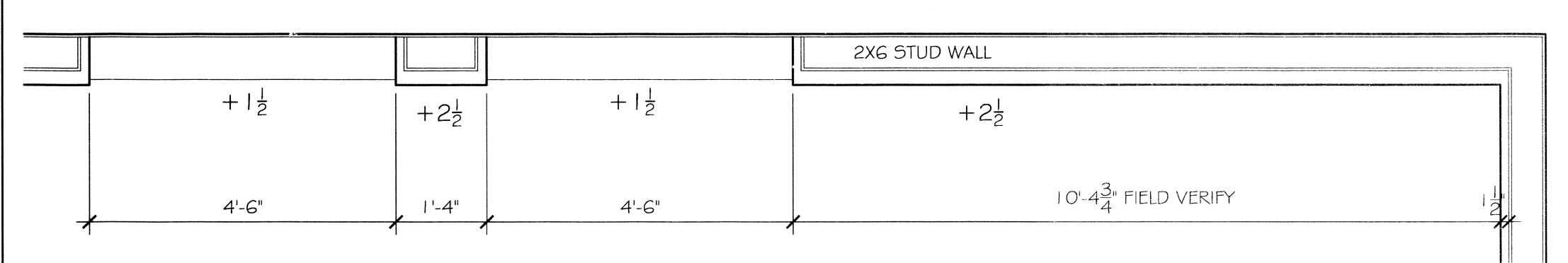
**14** ELEVATION DETAILS  
SCALE: 1/2" = 1'-0"

**13** ELEVATION DETAILS  
SCALE: 1/2" = 1'-0"

EXTERIOR ELEVATION DETAILS



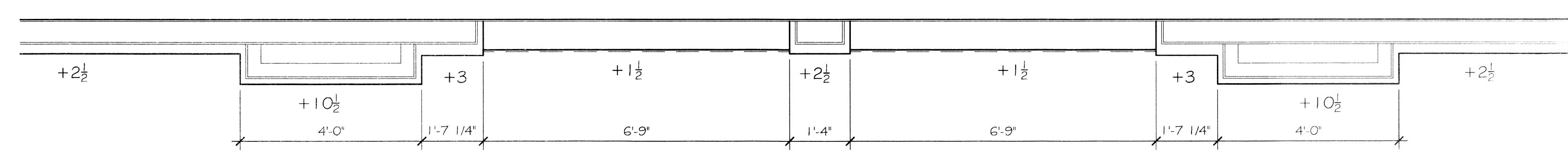
**12** EXTERIOR PLAN DETAILS (TOWER)  
SCALE: 1/2" = 1'-0"



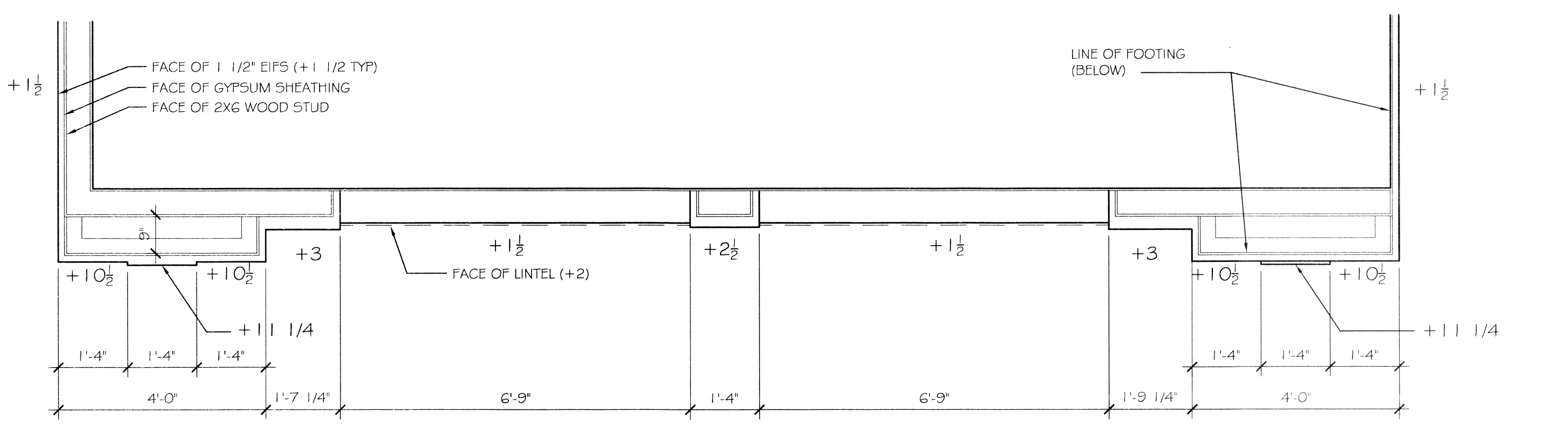
**10** EXTERIOR PLAN DETAILS  
SCALE: 1/2" = 1'-0"

EXTERIOR PLAN DETAILS

**NOTE**  
FACE OF SHEATHING IS **+0** FOR THE PURPOSE OF DETERMINING THE EIFS THICKNESS - EIFS THICKNESS NOT TO EXCEED 4" - FRAMING REQUIRED AT ALL LOCATIONS WHERE EIFS THICKNESS IS GREATER THAN **+4**

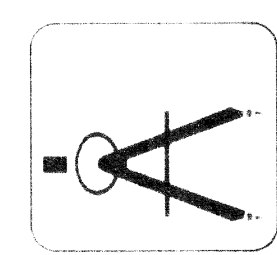


**1** EXTERIOR PLAN DETAILS (FRONT CENTER PEDIMENT)  
SCALE: 1/2" = 1'-0"



**9** EXTERIOR PLAN DETAILS (EXTENDED PEDIMENT)  
SCALE: 1/2" = 1'-0"

LAQUINTA INNS & SUITES



**DAMMON**  
ENGINEERING, INC.  
Architects & Engineers

501 W. WASHINGTON AVE  
WESTLAKE, LOUISIANA 70122  
JOB No: 2196 DATE: 02-03-2014  
DRAWN BY: JTL CHECKED BY: CKD

CHIEF ENGINEER: BRIAN MITCHELL, P.E.  
CHIEF ARCHITECT: KEVIN KINGEN  
REGISTERED ARCHITECT  
STATE OF LOUISIANA  
EXPIRES: 12/31/2016  
DAMMONENGINEERING.COM  
PHONE: 985-649-2832  
FAX: 985-641-8910

NO.	REVISIONS



EXTERIOR BUILDING DETAILS

SHEET No: 17 OF 53

**A9**