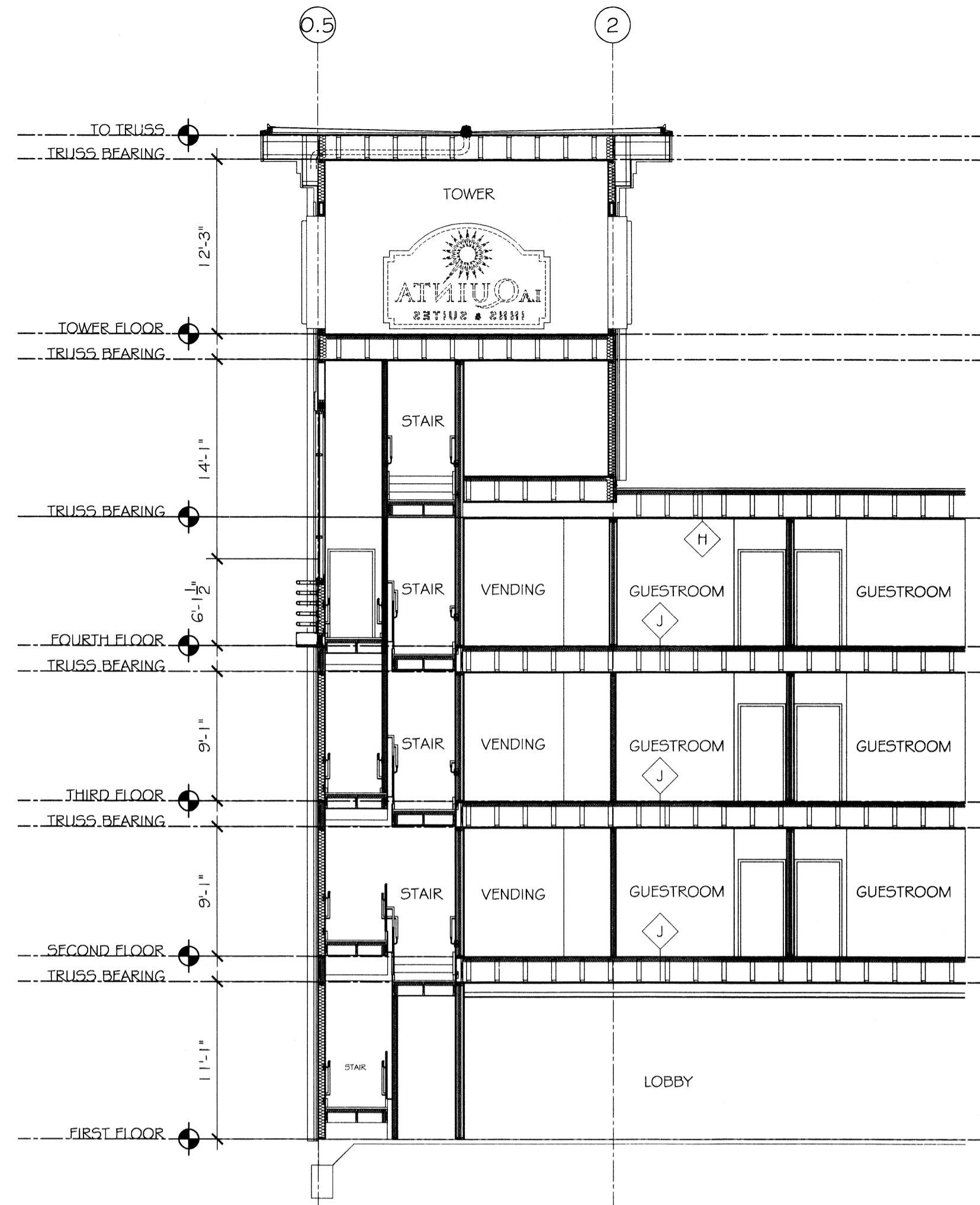
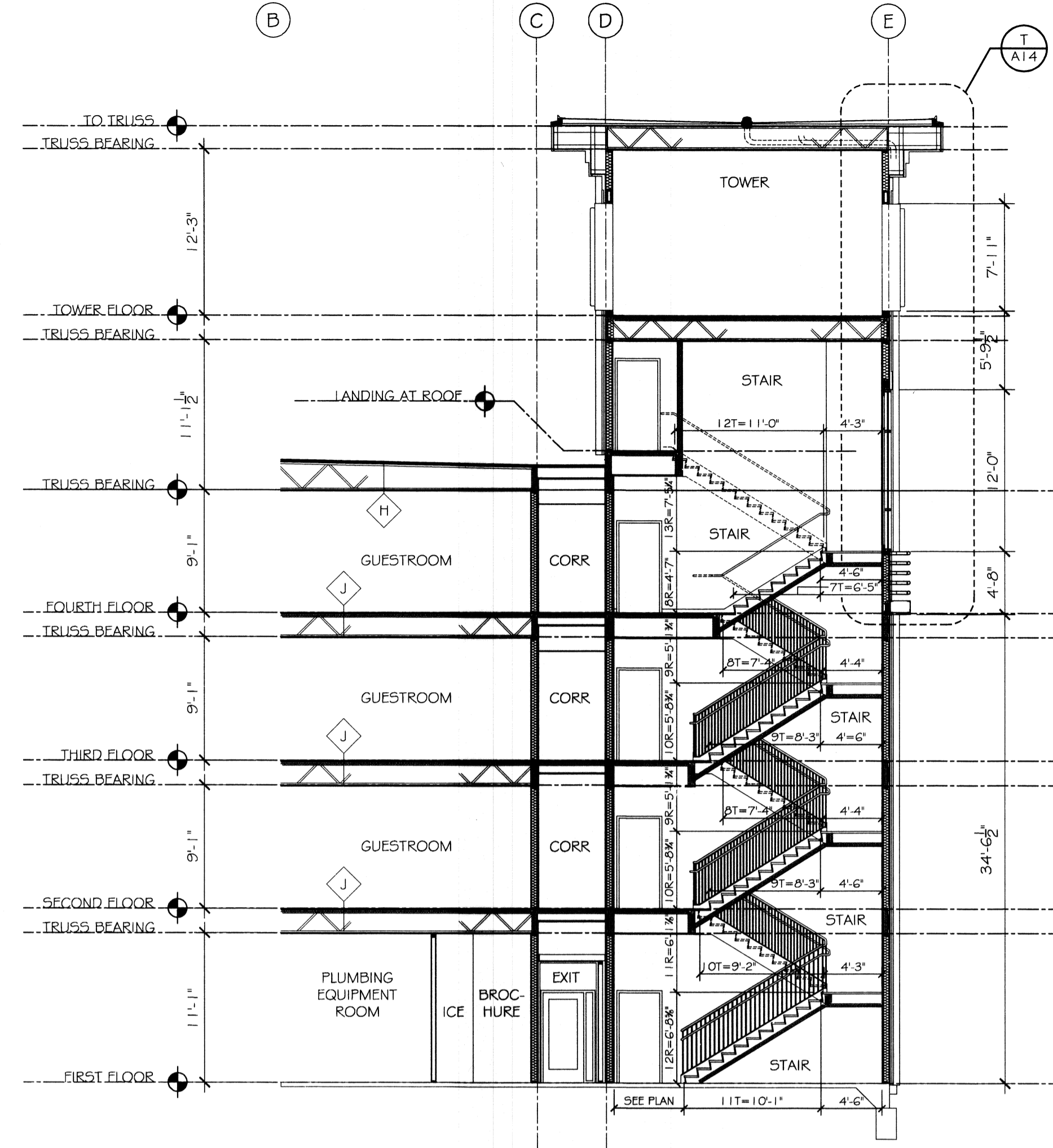


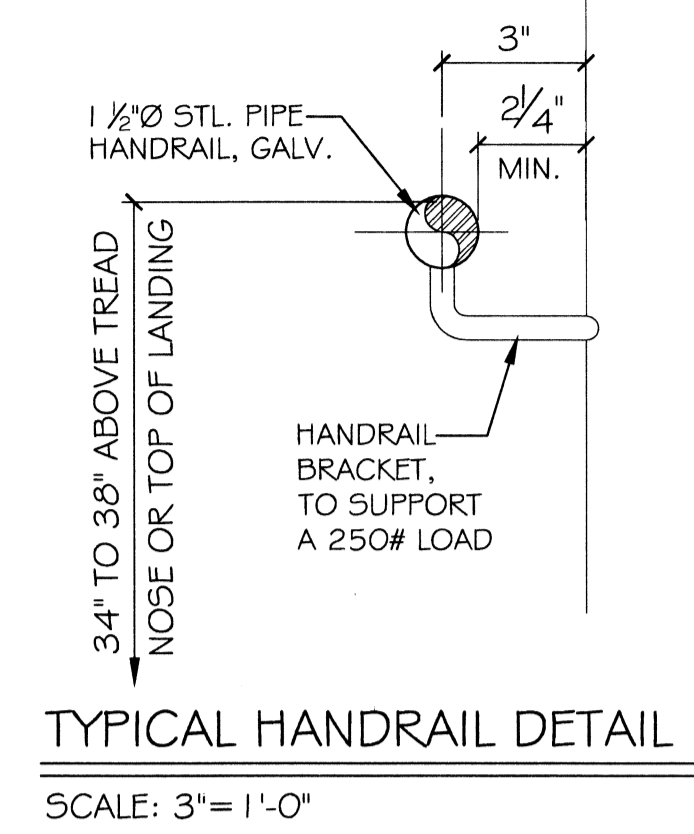
Q TOWER SECTION (PARTIAL)
SCALE: 1/8" = 1'-0"



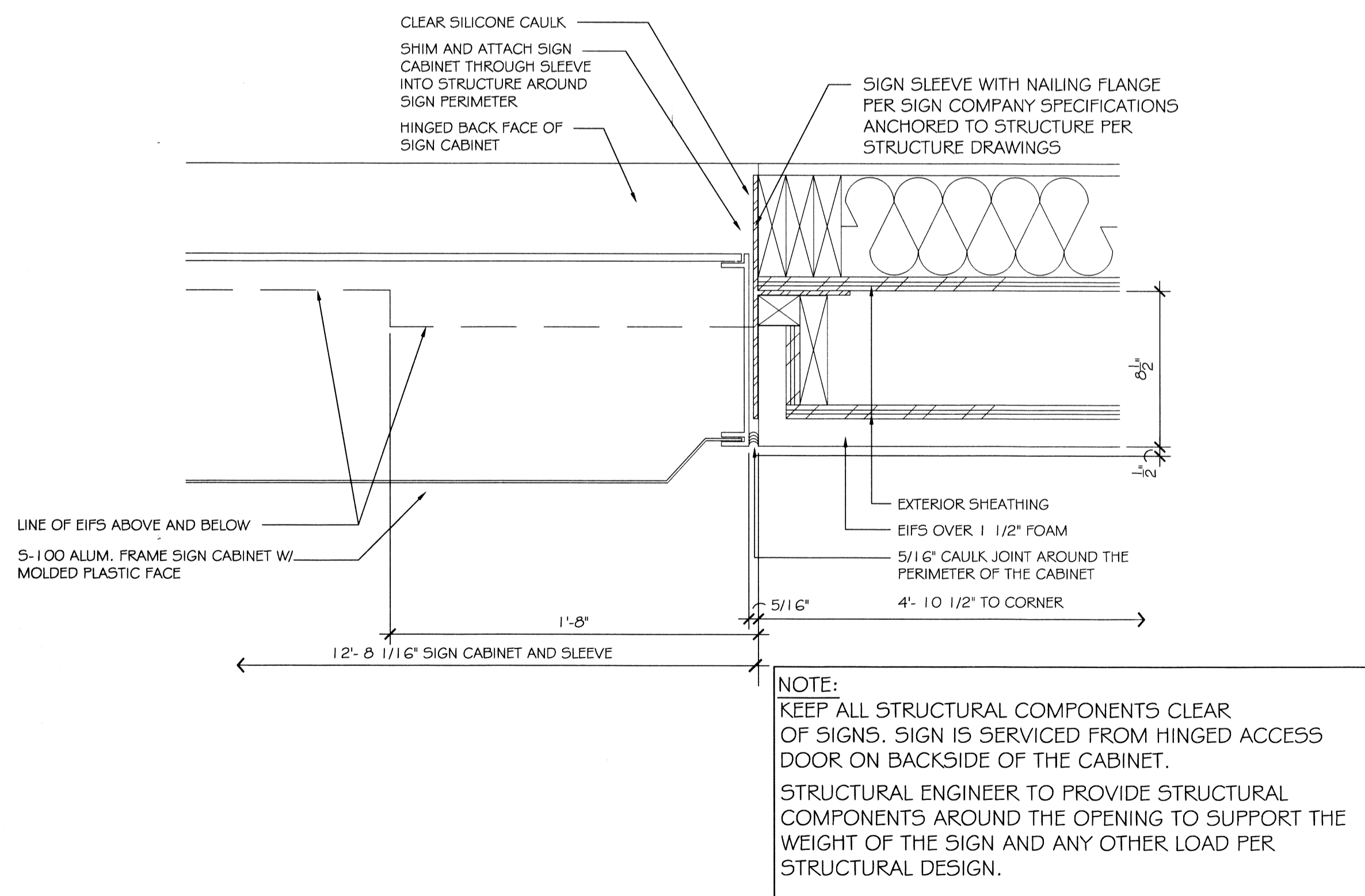
P TOWER SECTION
SCALE: 1/8" = 1'-0"



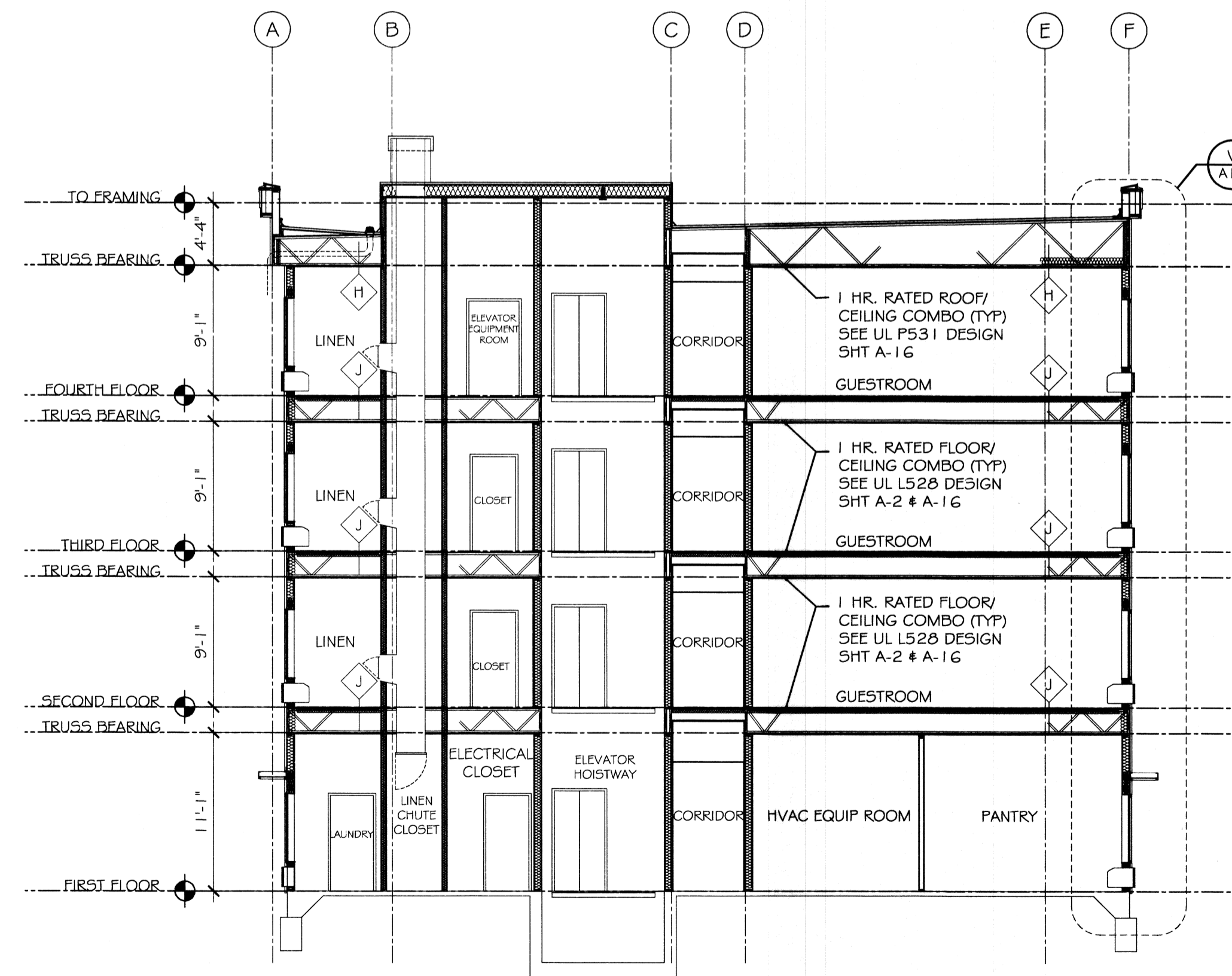
N TOWER SECTION
SCALE: 1/8" = 1'-0"



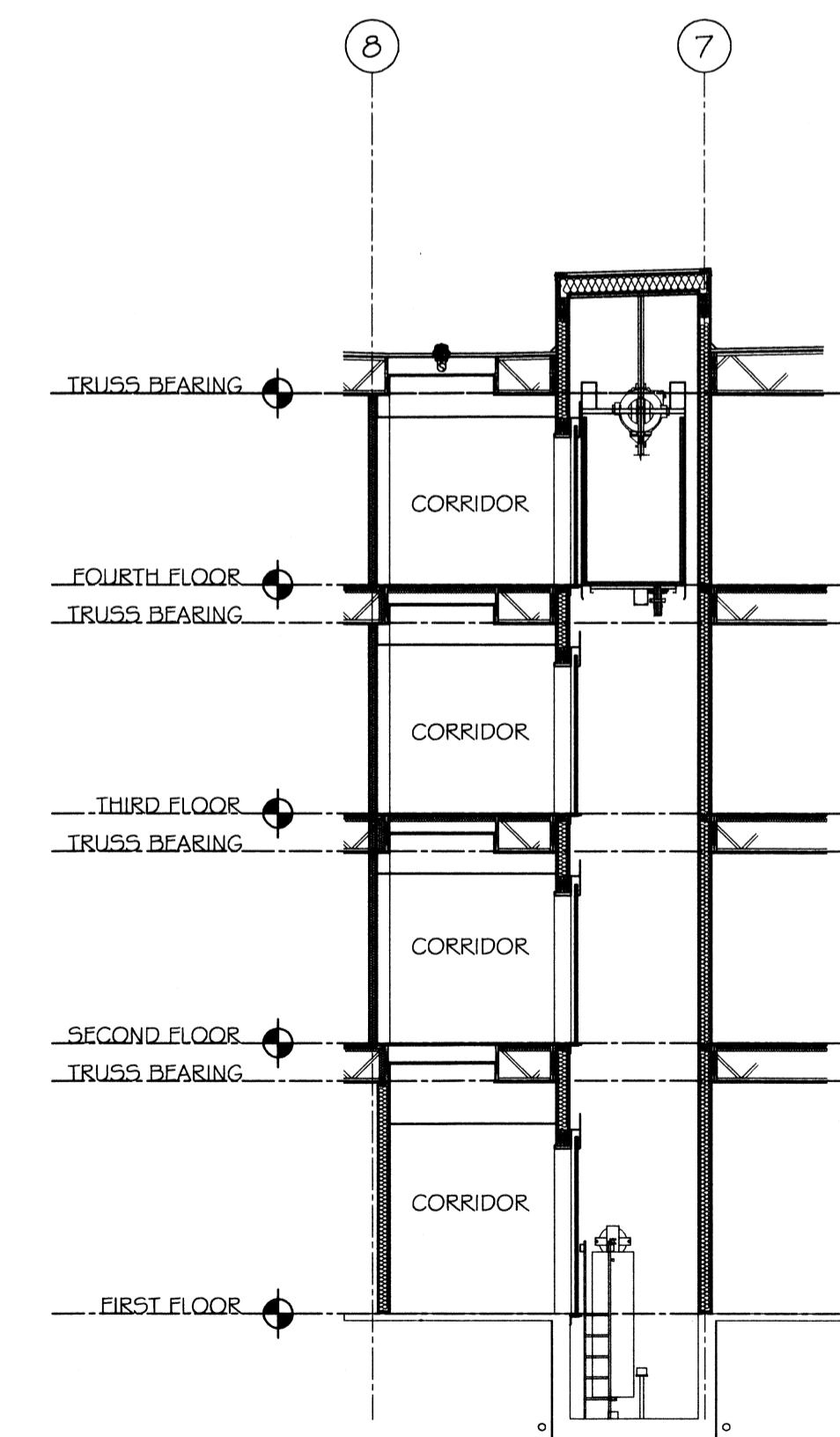
TYPICAL HANDRAIL DETAIL
SCALE: 3" = 1'-0"



R SIGN SECTION @ TOWER
SCALE: 1/8" = 1'-0"
(HORIZONTAL SECTION)



L BUILDING SECTION
SCALE: 1/8" = 1'-0"



M ELEVATOR SECTION
SCALE: 1/8" = 1'-0"

NOTE: THIS DRAWING IS USED TO SHOW SPATIAL RELATIONSHIPS. REFER TO WALL SECTIONS, STRUCTURAL DRAWINGS, AND DETAILS FOR MORE DETAILED INFORMATION.

| # | DESCRIPTION | DATE |
|---|-------------|------|
| | | |
| | | |
| | | |



BUILDING SECTIONS

SHEET No: 21 OF 53

A13