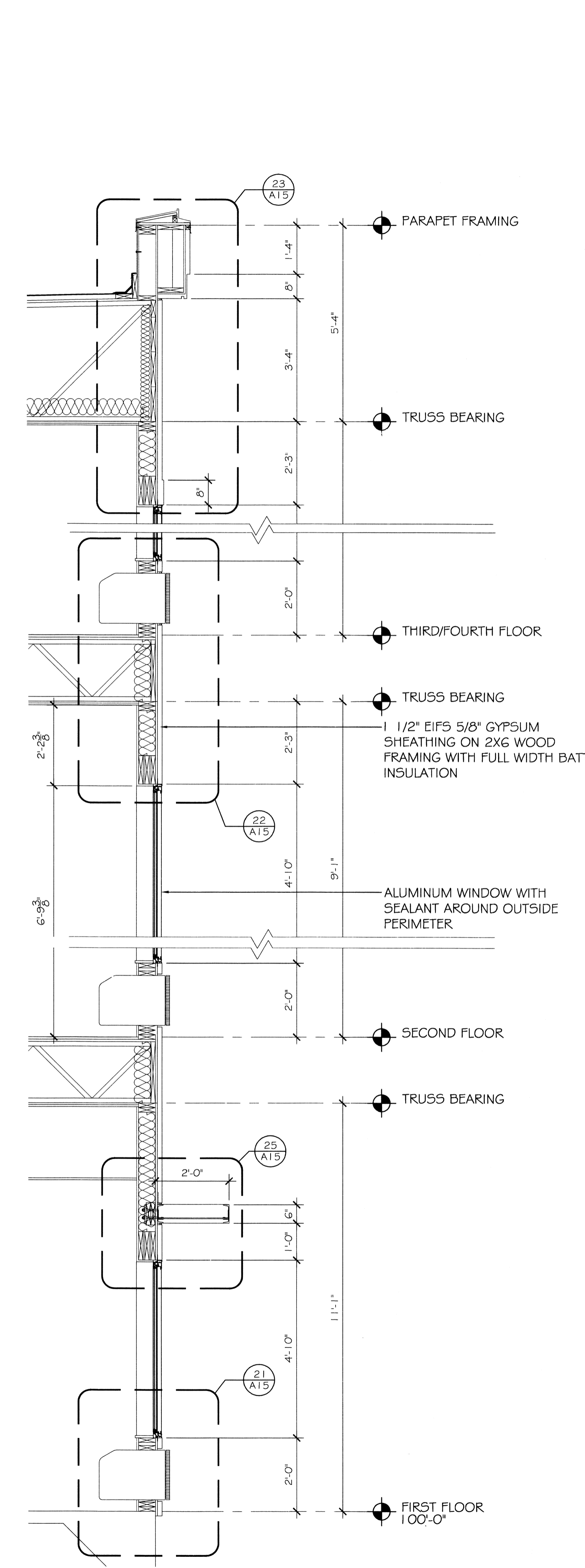
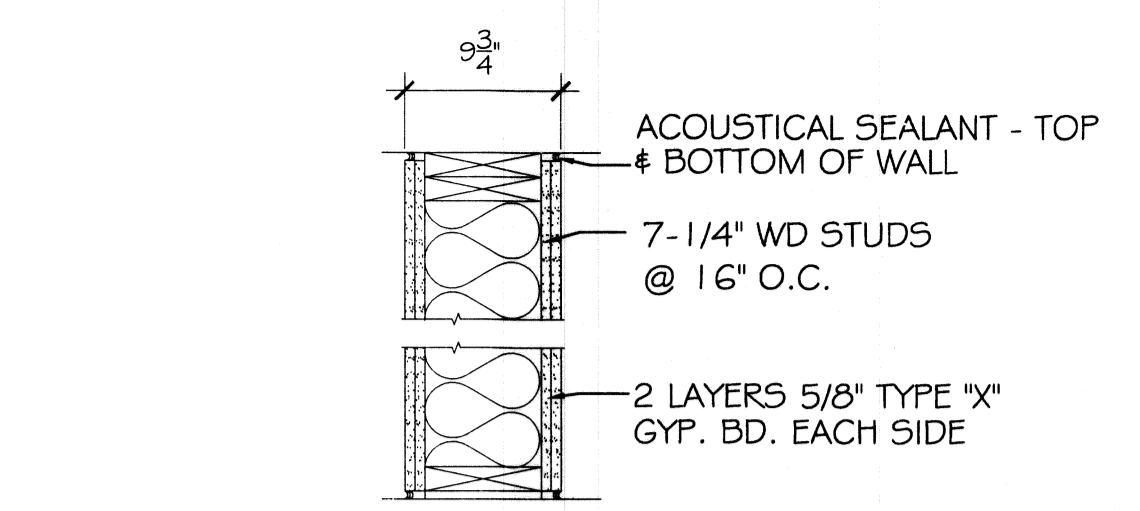


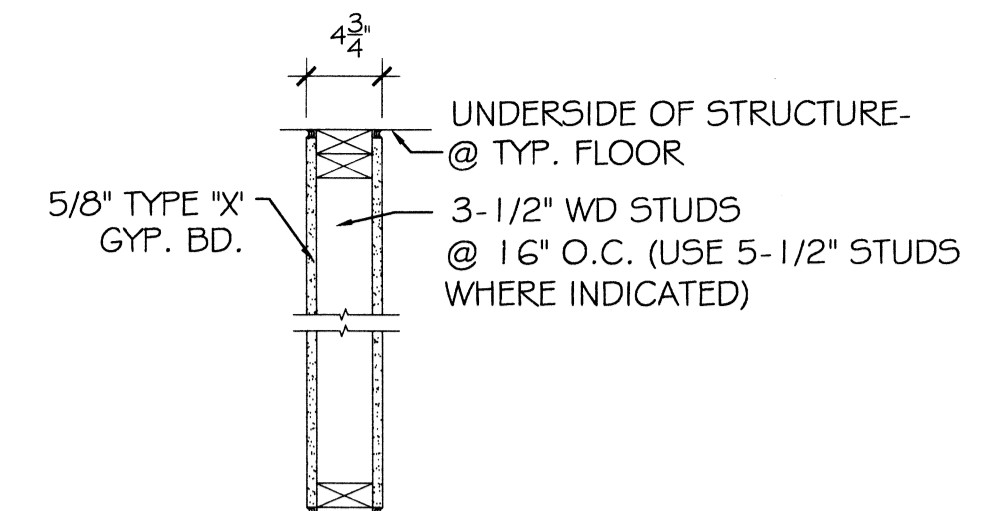
W GUEST WING WALL SECTION
SCALE: 1/2" = 1'-0"



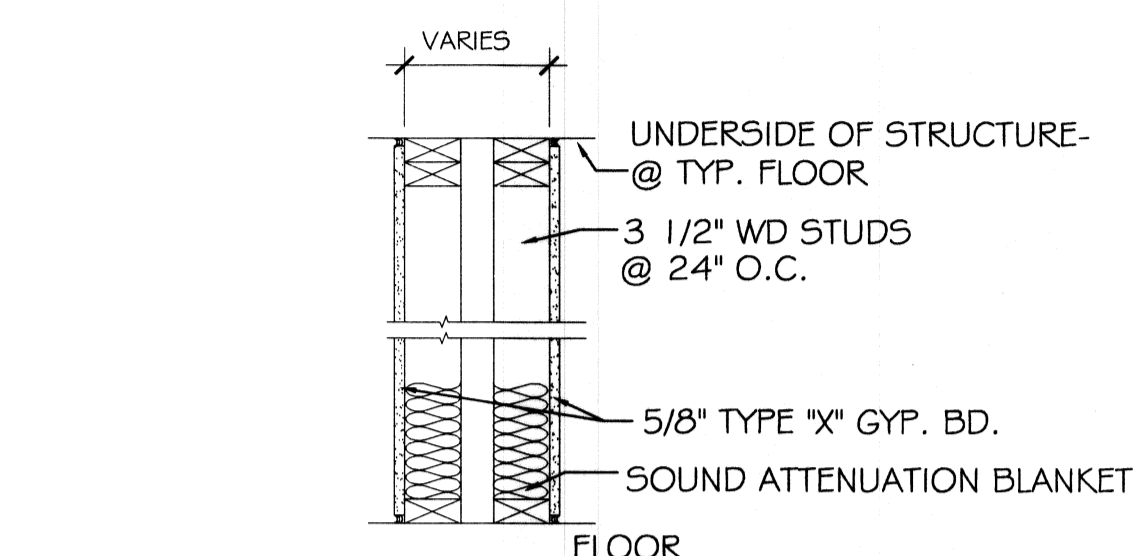
V WALL SECTION @ GUESTROOMS
SCALE: 1/2" = 1'-0"



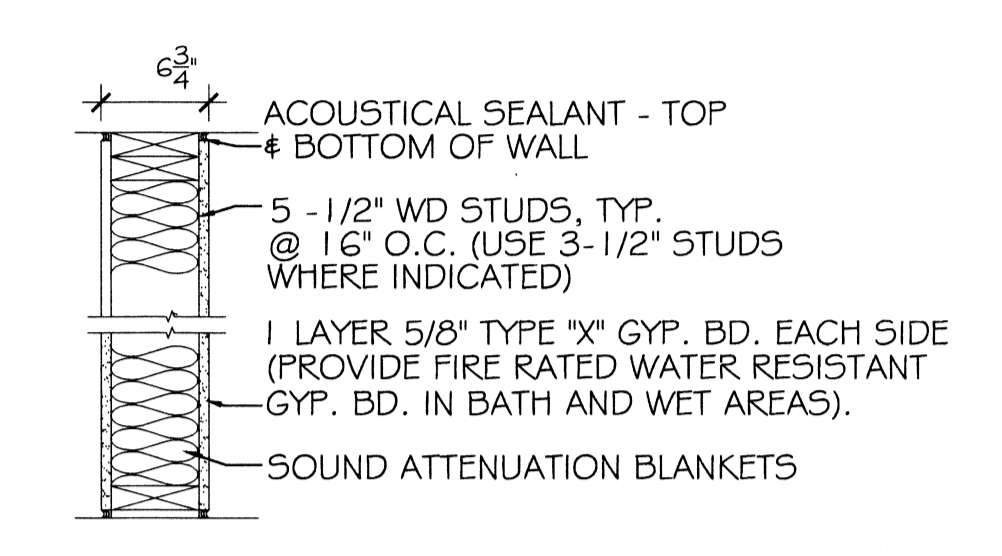
E 2 HR. RATED PARTITION
Scale: 1" = 1'-0"



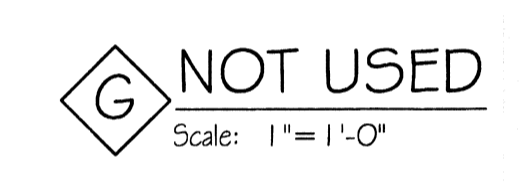
A N.R./N.B. PARTITION
Scale: 1 1/2" = 1'-0"



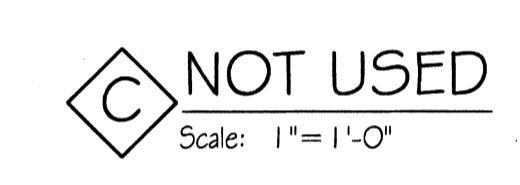
F PLUMBING CHASE
Scale: 1" = 1'-0"



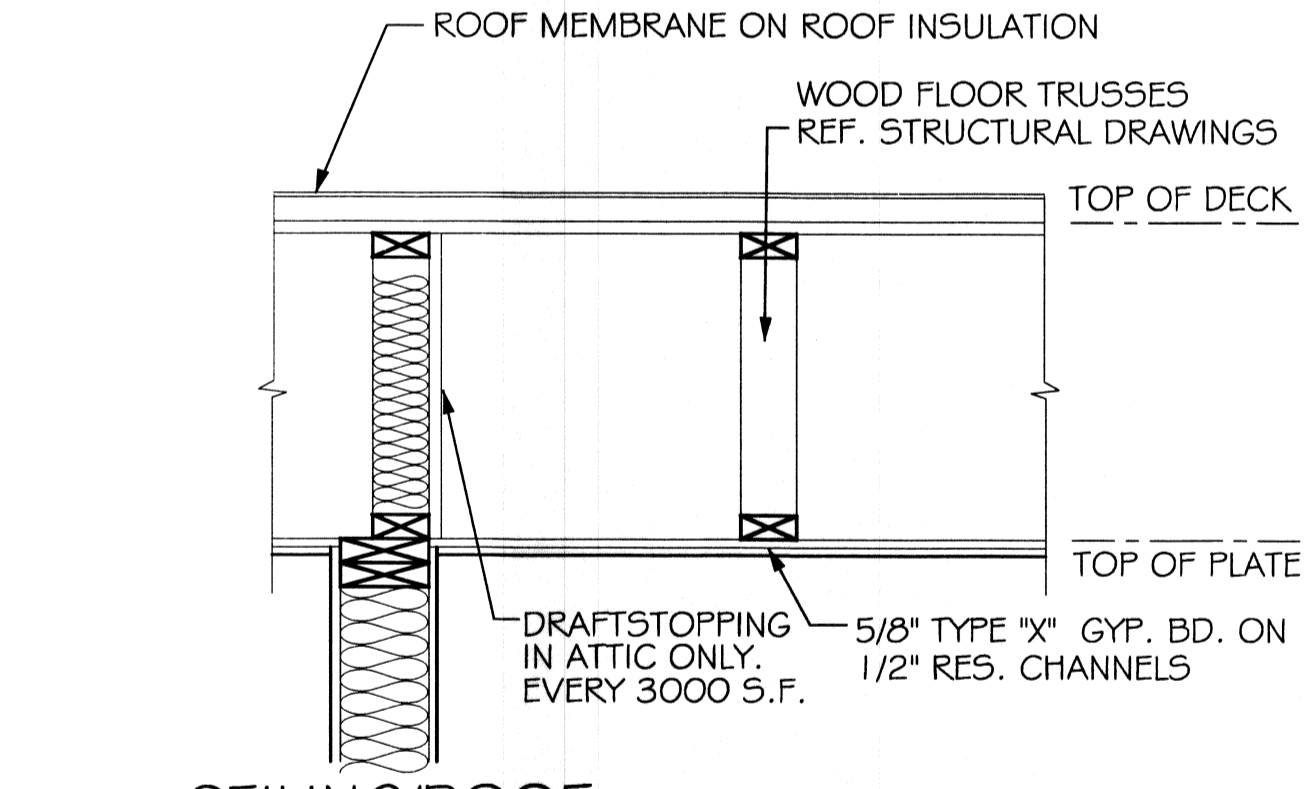
B 1 HR. RATED PARTITION
Scale: 1" = 1'-0"



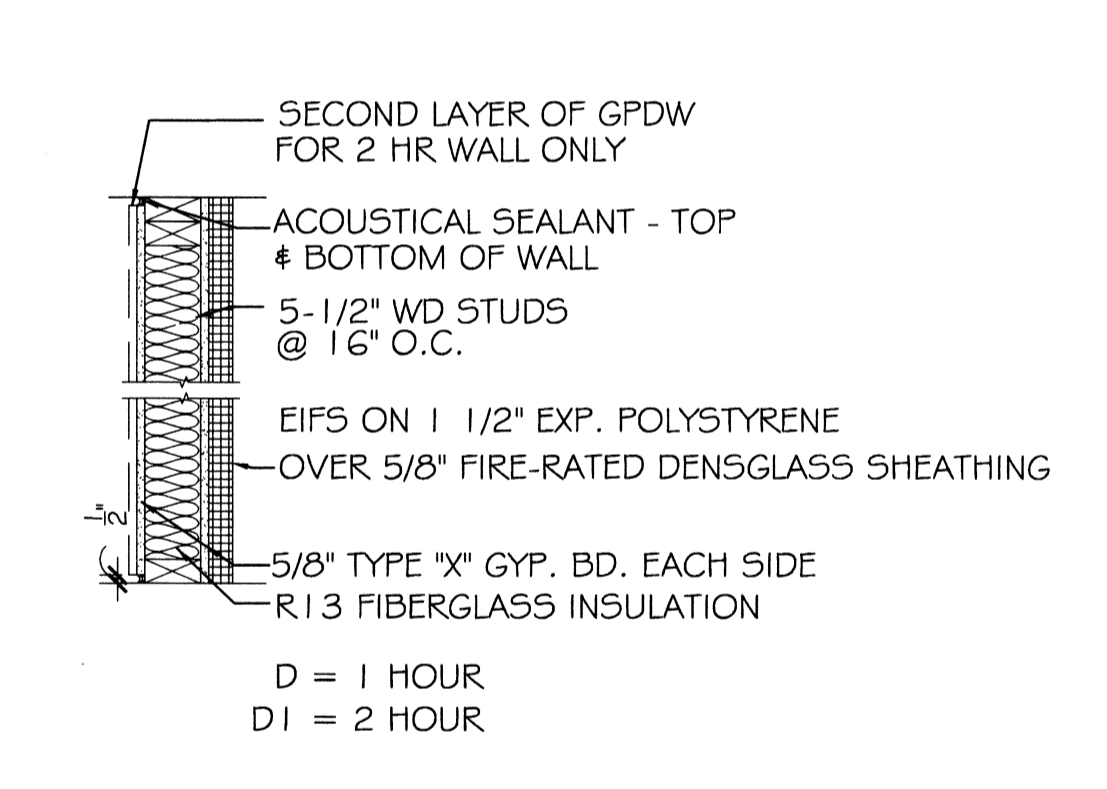
G NOT USED
Scale: 1" = 1'-0"



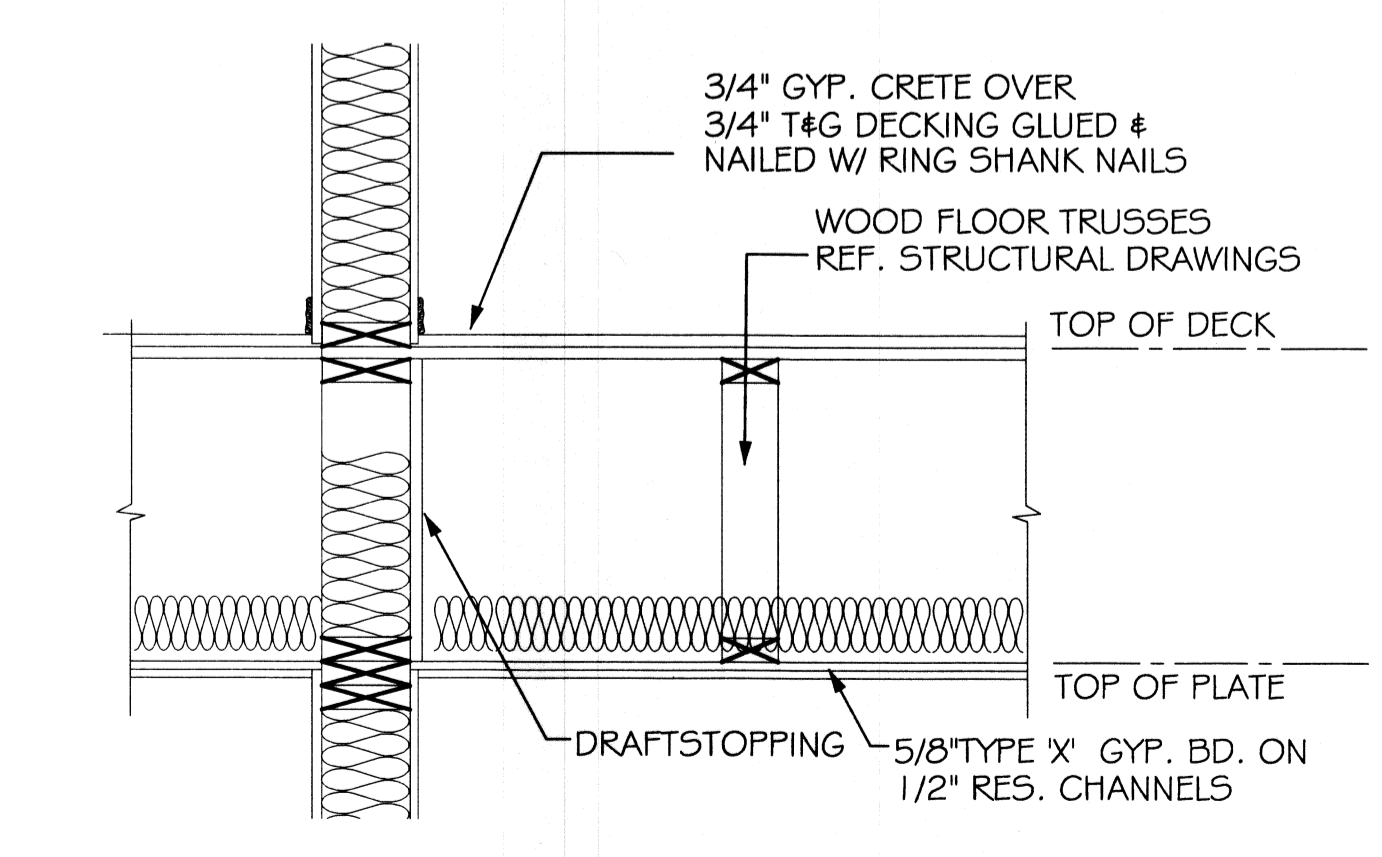
C NOT USED
Scale: 1" = 1'-0"



H CEILING/ROOF ASSEMBLY - RATED - UL P53 I
Scale: 1" = 1'-0"



D RATED EXTERIOR PARTITION
Scale: 1" = 1'-0"



J FLOOR/CEILING ASSEMBLY - 1 HOUR FIRE-RATED UL L528
Scale: 1" = 1'-0"

SEE SHEET A-2 FOR ALL WALL, FLOOR/CEILING AND ROOF/CEILING ASSEMBLY RATINGS AS REQUIRED BY LOCAL CODE AND ORDINANCES FOR BUILDING TYPE AND RATING SELECTED.

NOTE: PRE FABRICATED ROOF, FLOOR, WALLS, BEAMS AND COLUMNS PROVIDED BY OTHERS.

DAMMON ENGINEERING, INC.
Architects & Engineers

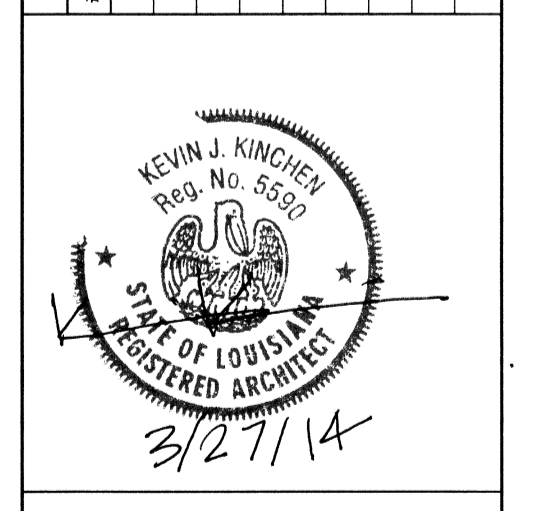
CHIEF ENGINEER: BRIAN MISTICH, P.E.
CHIEF ARCHITECT: KEVIN KINCHEN
554 OLD SPANISH TRAIL
SUITE 1A, 70498
DAMMONENGINEERING.COM
dammoneng@bellsouth.net
PH: 905-641-5950
FAX: 905-641-5950

LAQUINTA INNS & SUITES

507 CONSTITUTION DRIVE
WEST MONROE, LOUISIANA 71292

JOB No: 2196 DATE: 02-03-2014 CHECKED BY: CKD
DRAWN BY: JTL

#	DESCRIPTION	DATE



WALL SECTIONS & PARTITION TYPES

SHEET No: 24 OF 53

A16