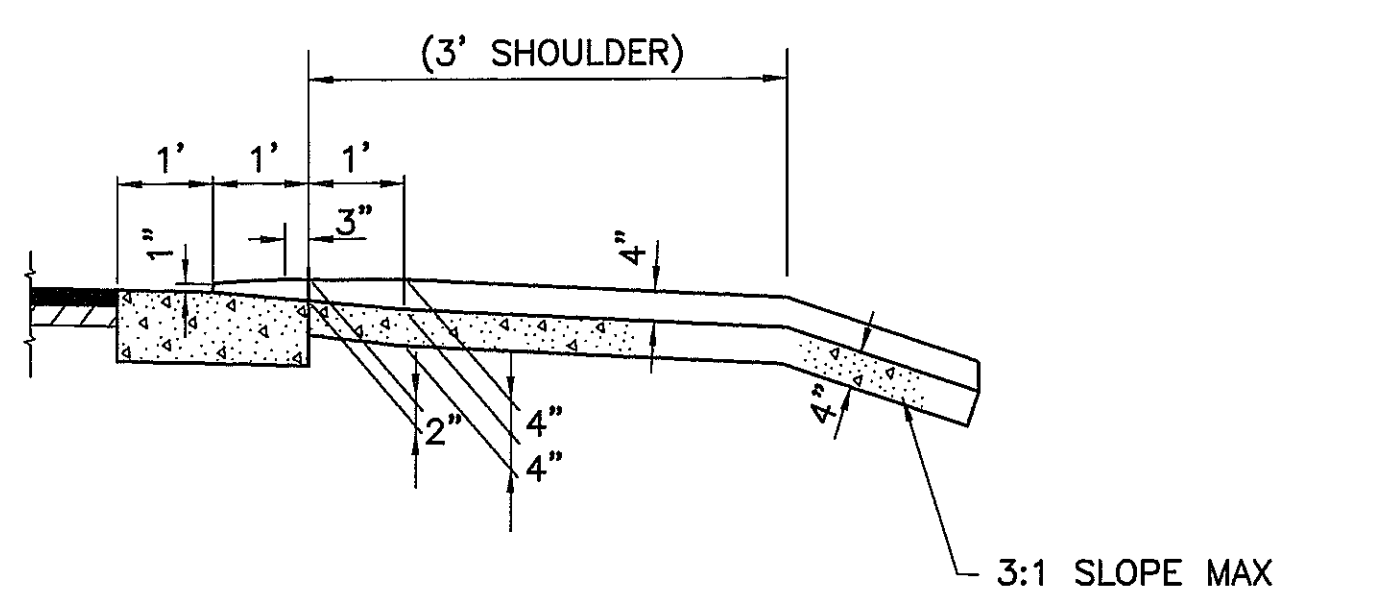
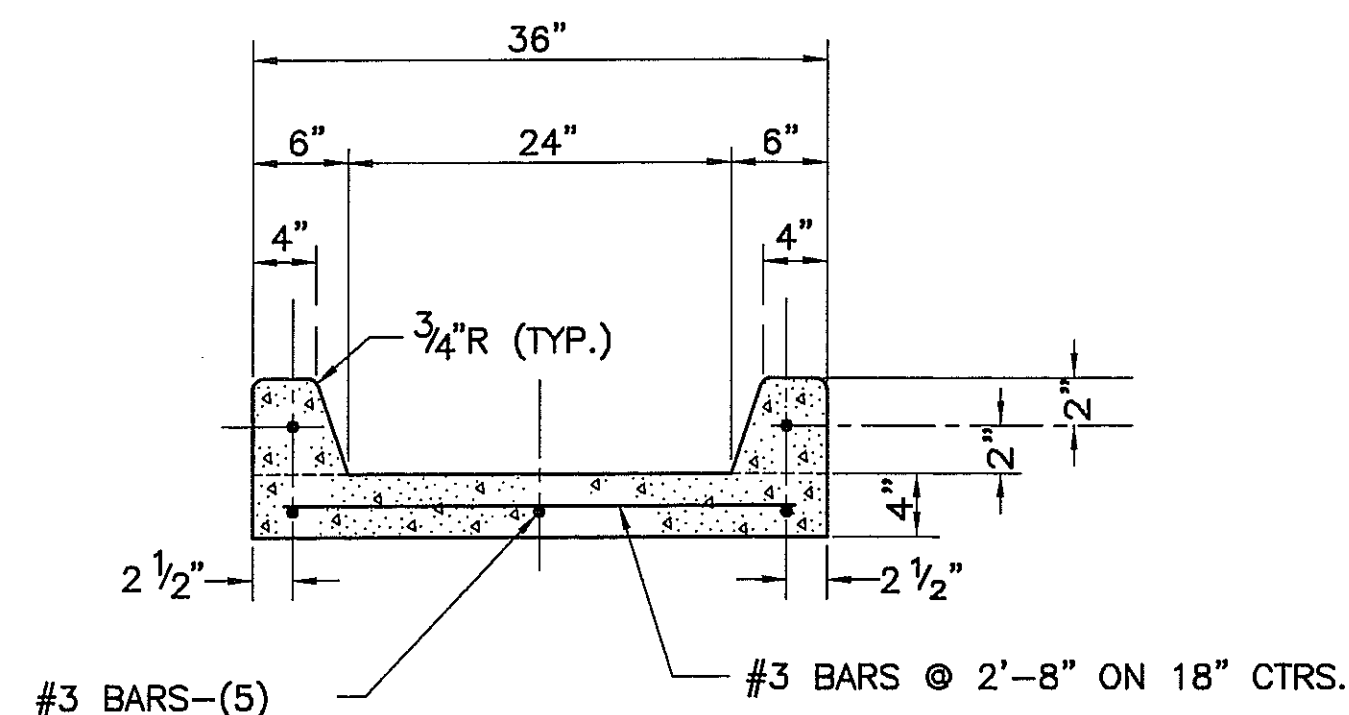


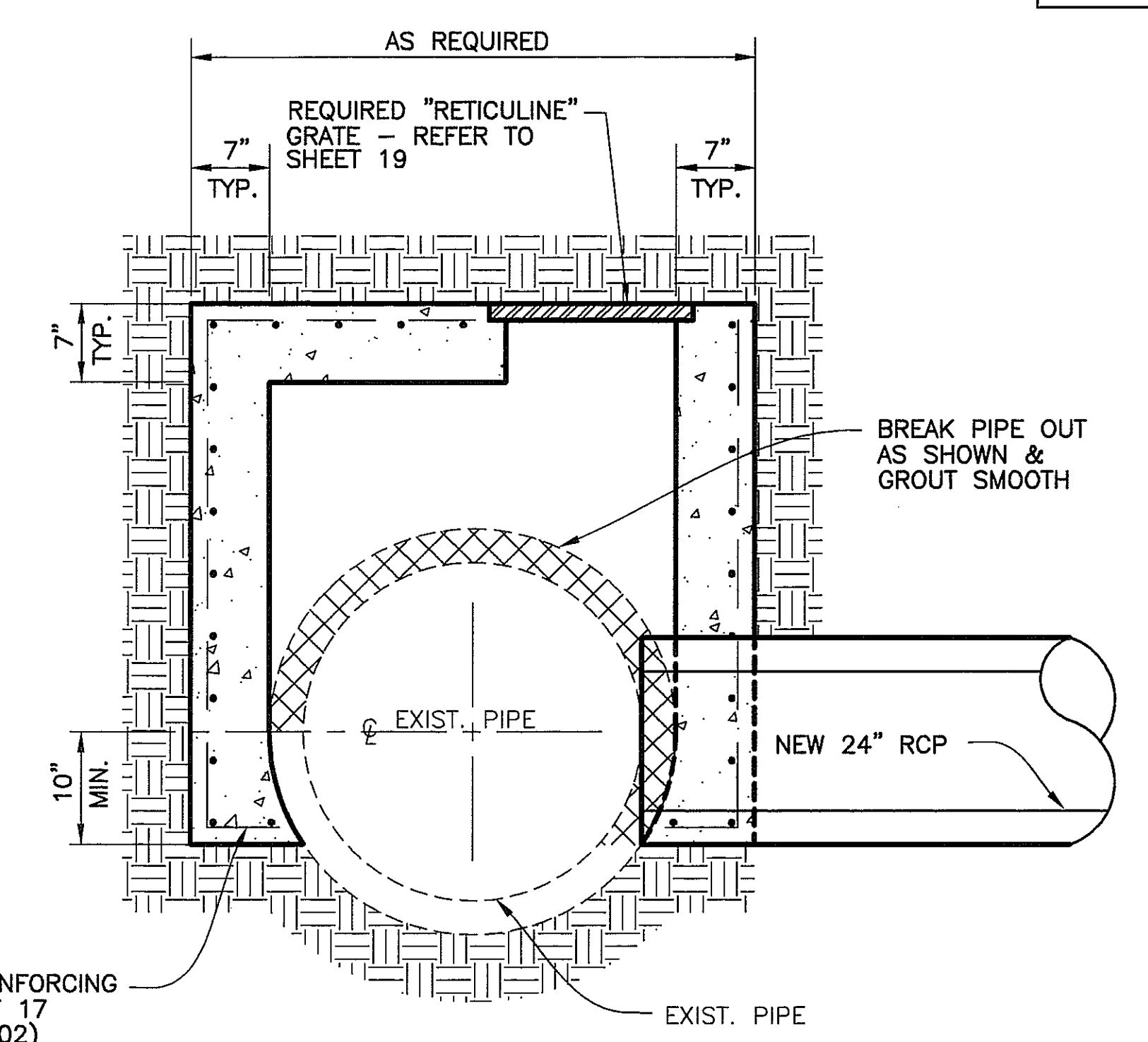
PLAN



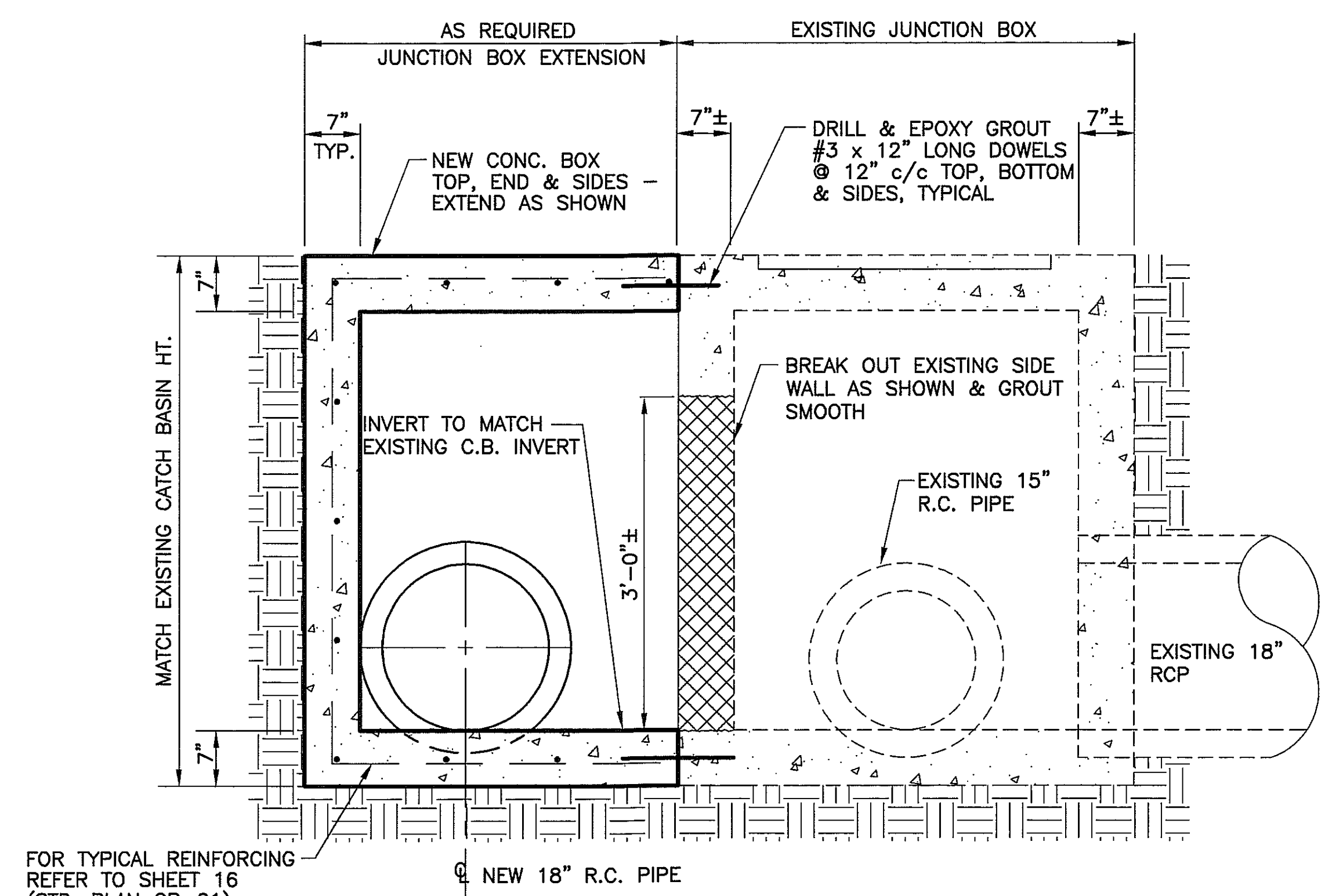
SECTION A-A



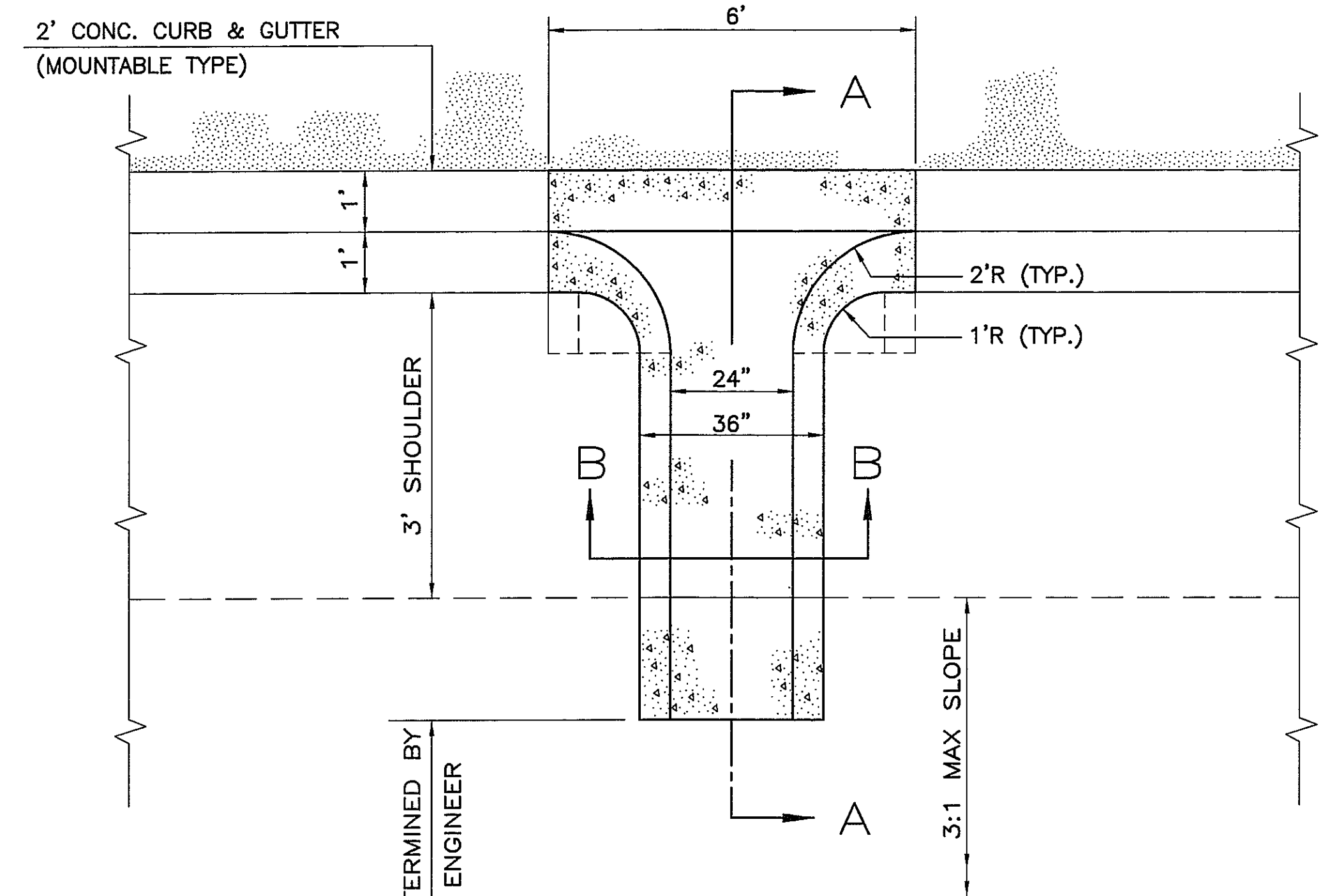
SECTION B-B



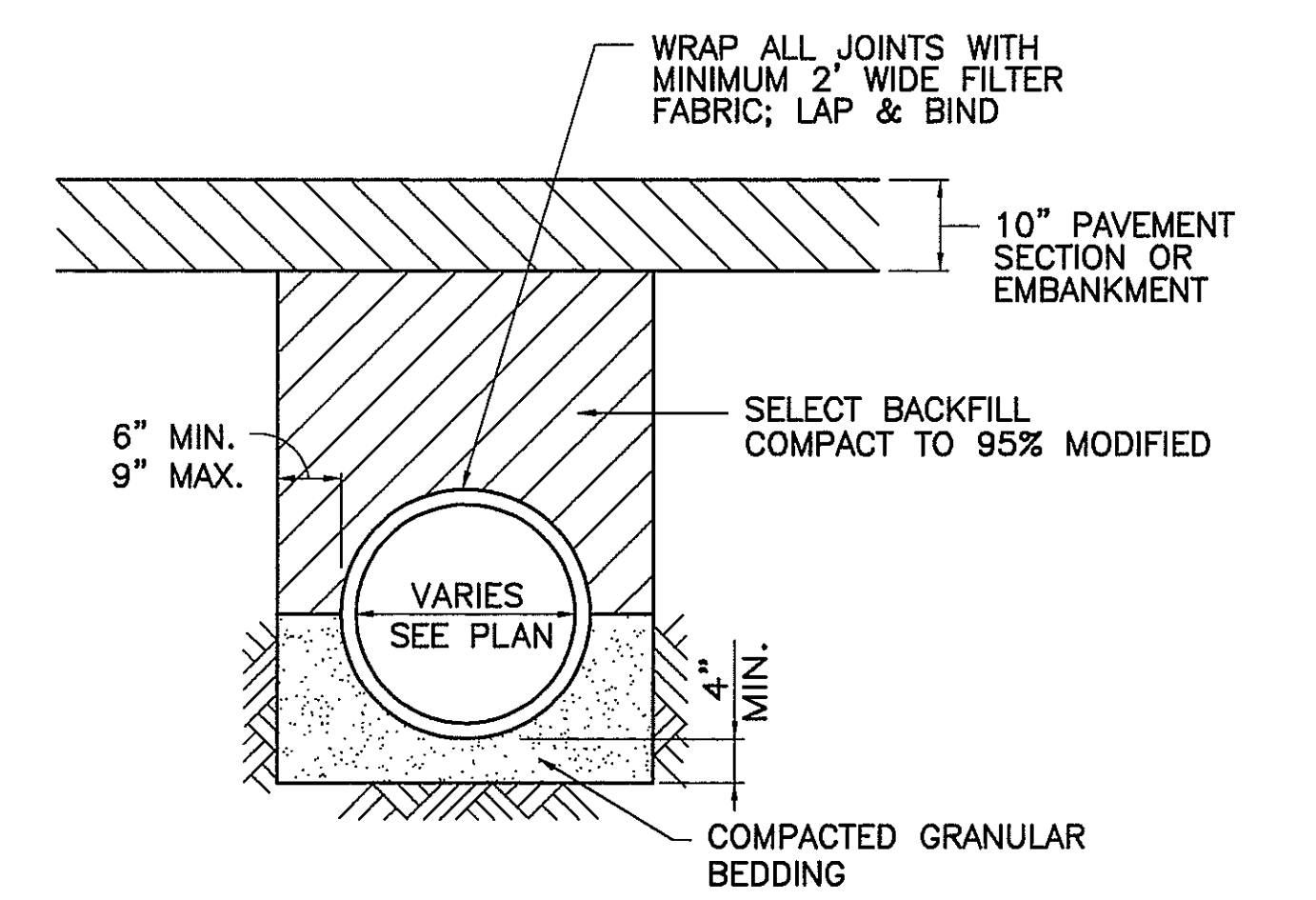
CB-02 MODIFIED (SADDLED)



SECTION C-C
MODIFIED EXISTING CATCH BASIN (CB-01)

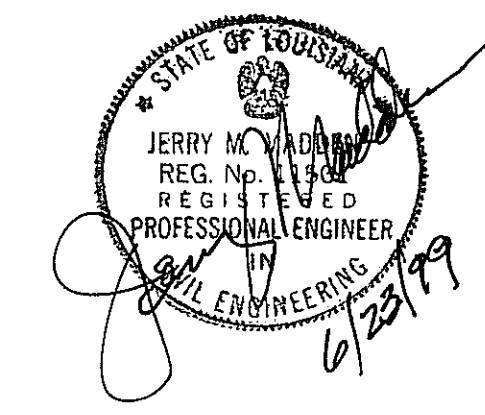


DETAIL OF CONCRETE FLUME



DRAINAGE PIPE BEDDING DETAIL

FOR TYPICAL REINFORCING REFER TO SHEET 16 (STD. PLAN CB-01)



BY	CITY OF WEST MONROE CONSTITUTION DRIVE		
REVISION	SPECIAL DETAILS		
DATE	SCALE: NONE	DRAWN BY: RLD	CHECKED BY: RH, JR.
	DATE: 6/8/99	TRACED BY:	APPROVED BY: JMM
	DRAWING NO. 391100D3		