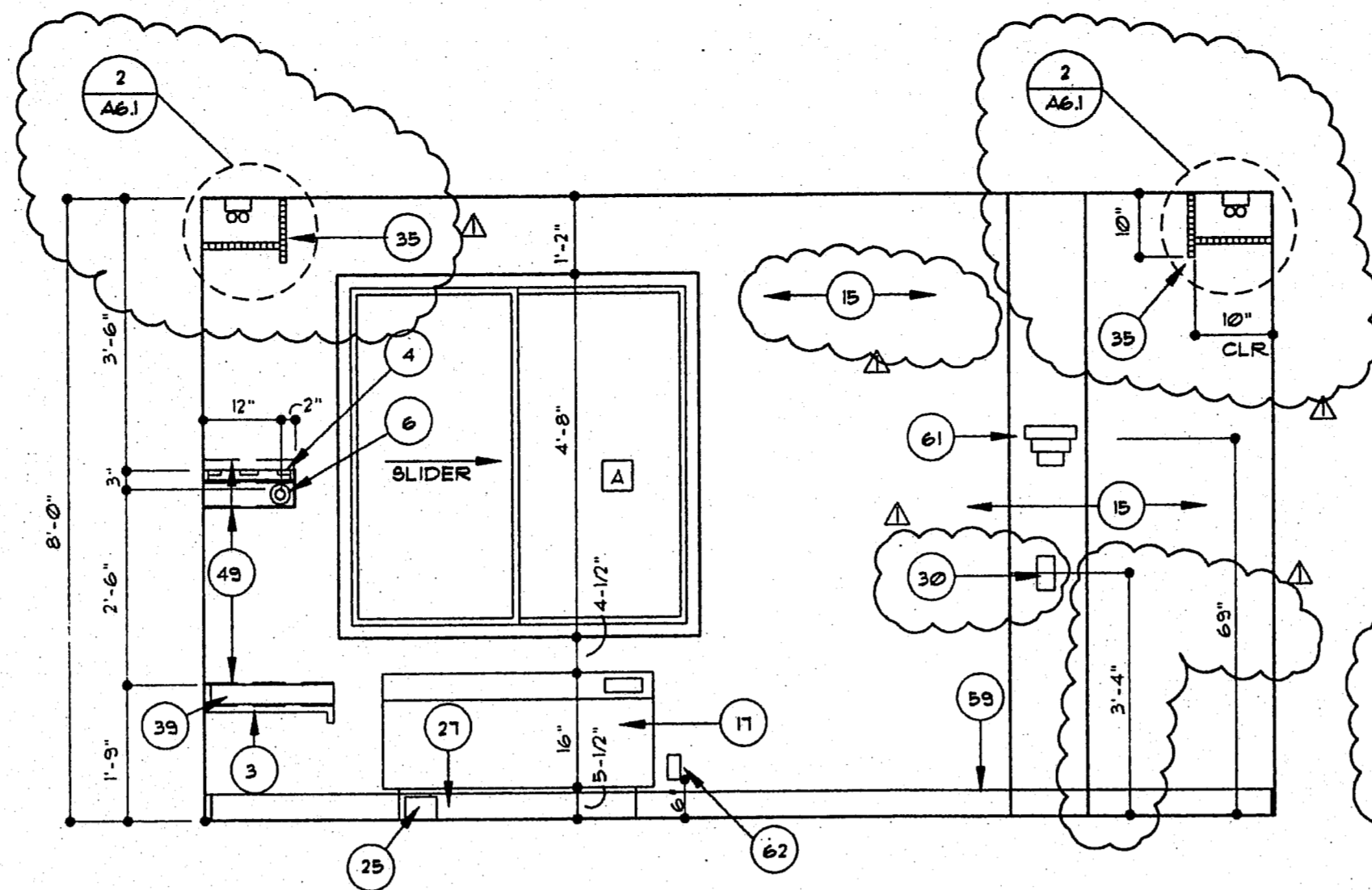
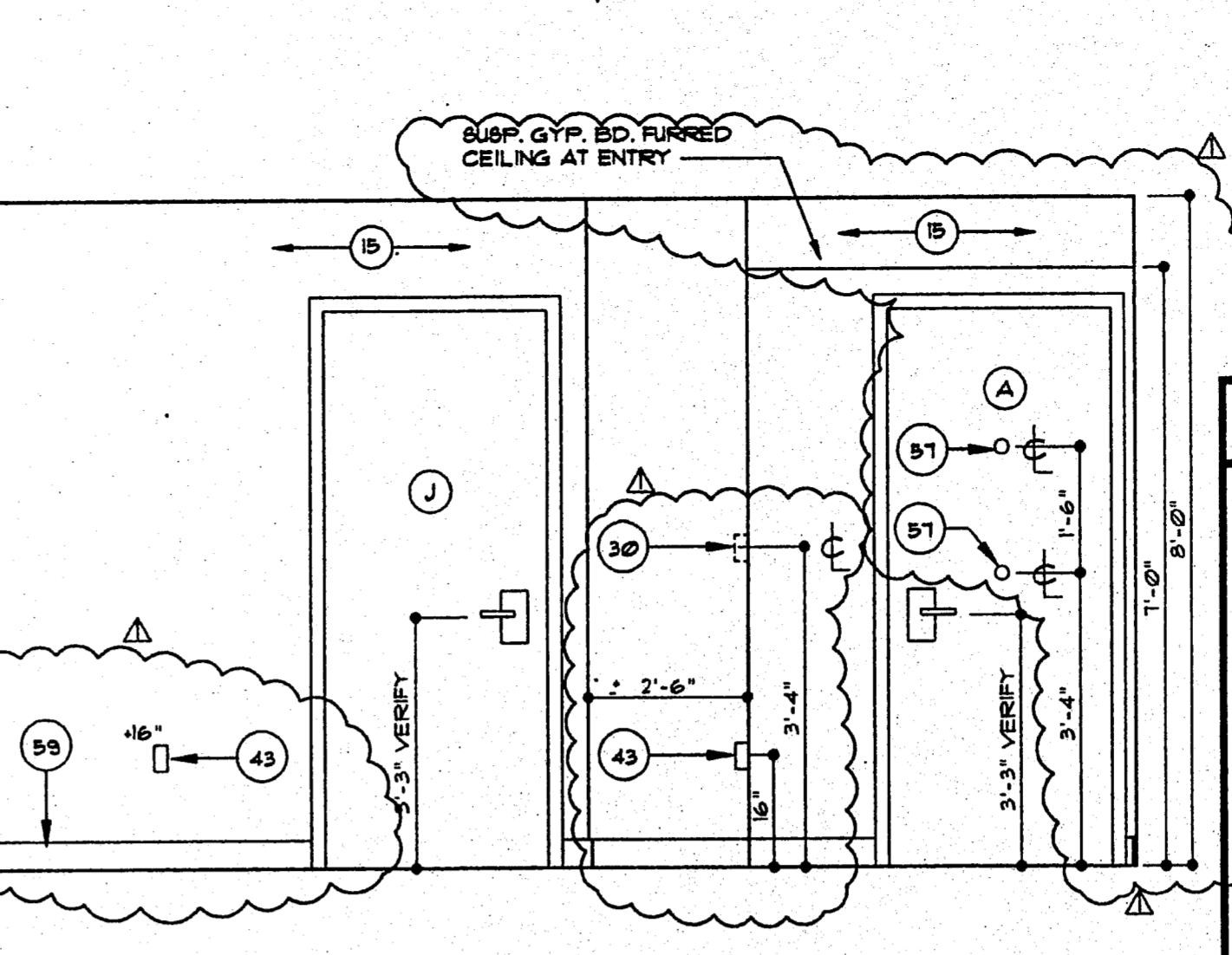


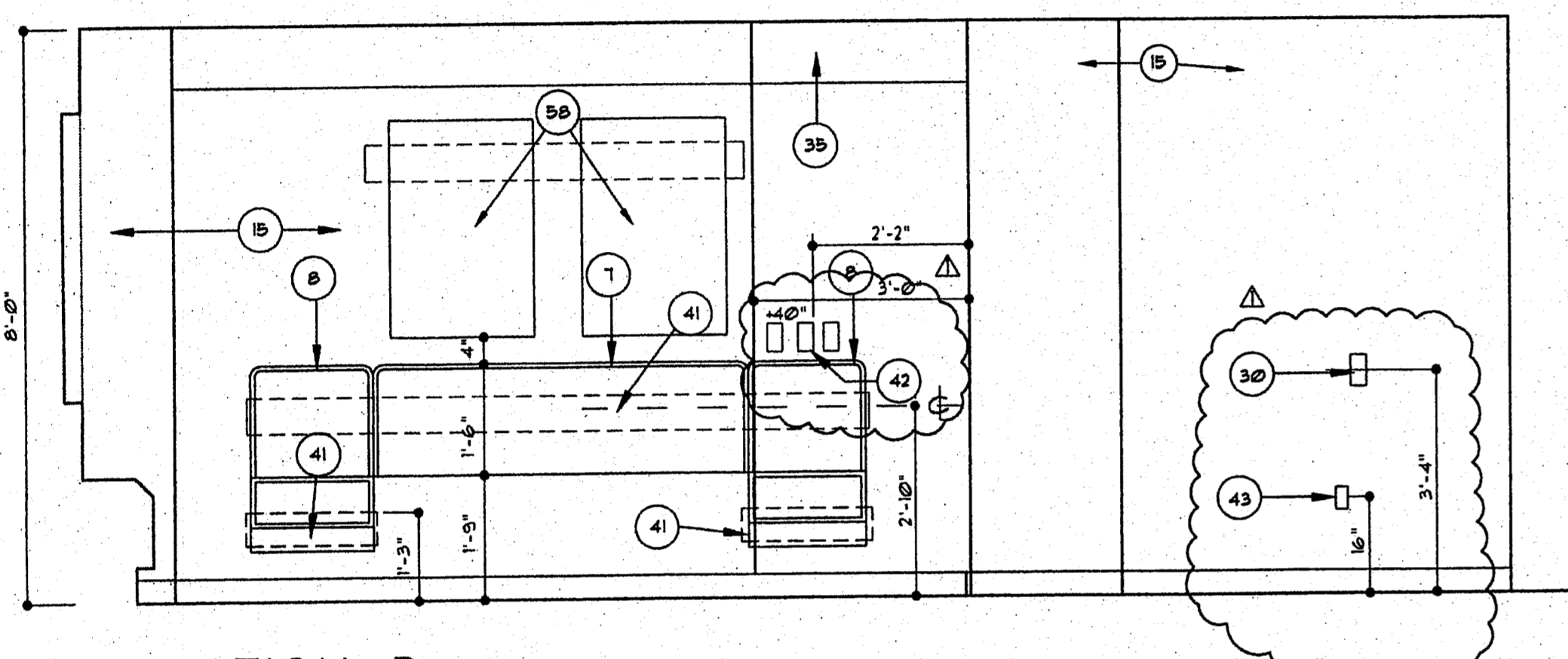
**ELEVATION A**  
SCALE: 1/2"=1'-0"



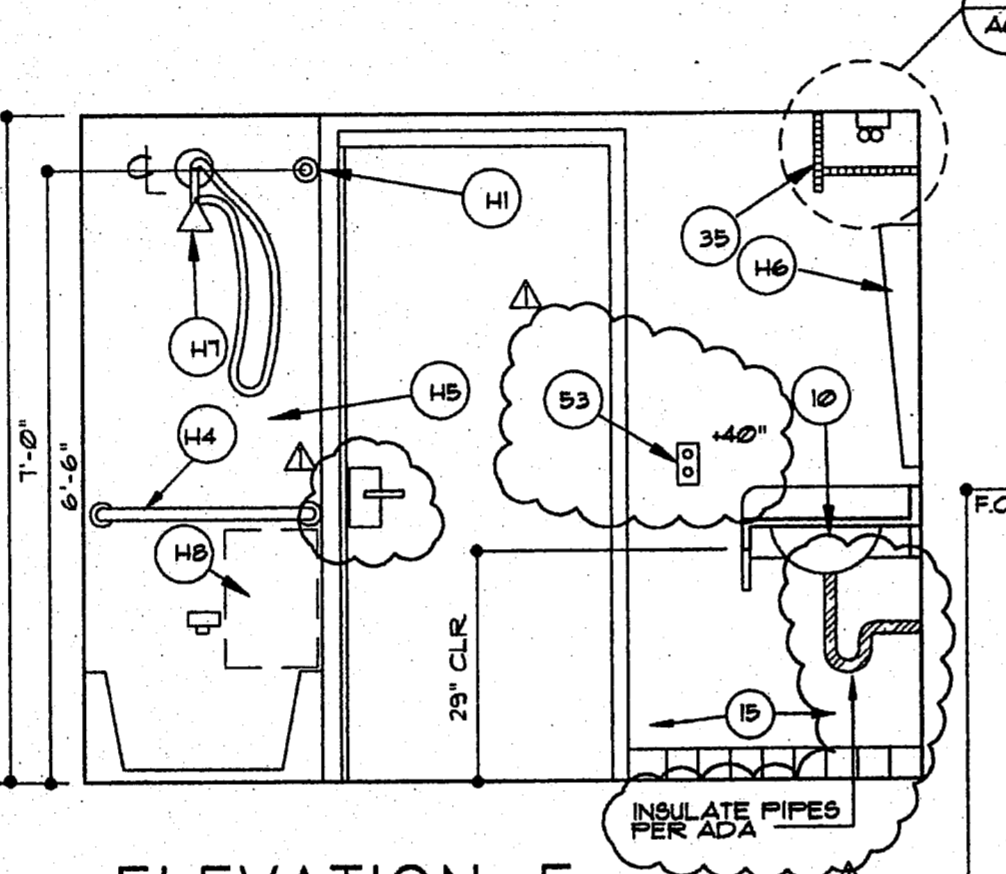
**ELEVATION B**  
SCALE: 1/2"=1'-0"



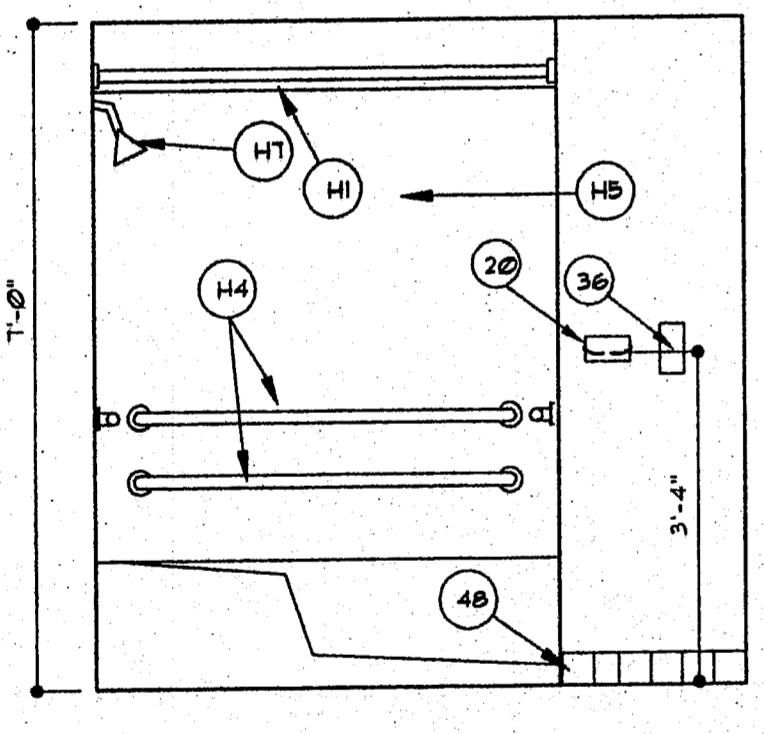
**ELEVATION C**  
SCALE: 1/2"=1'-0"



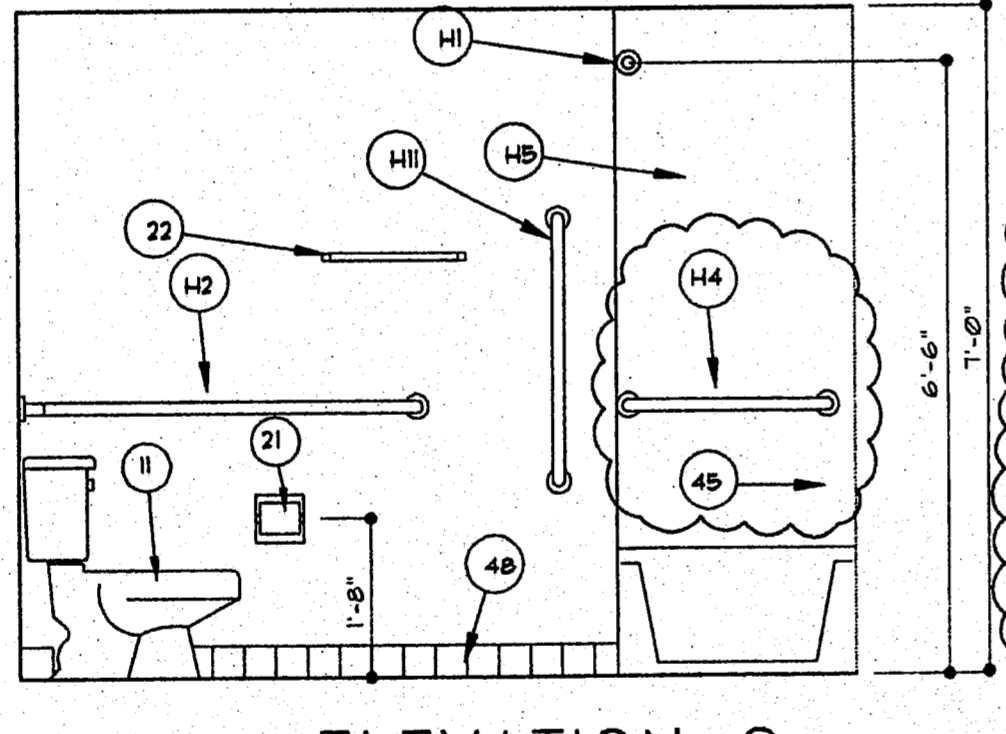
**ELEVATION D**  
SCALE: 1/2"=1'-0"



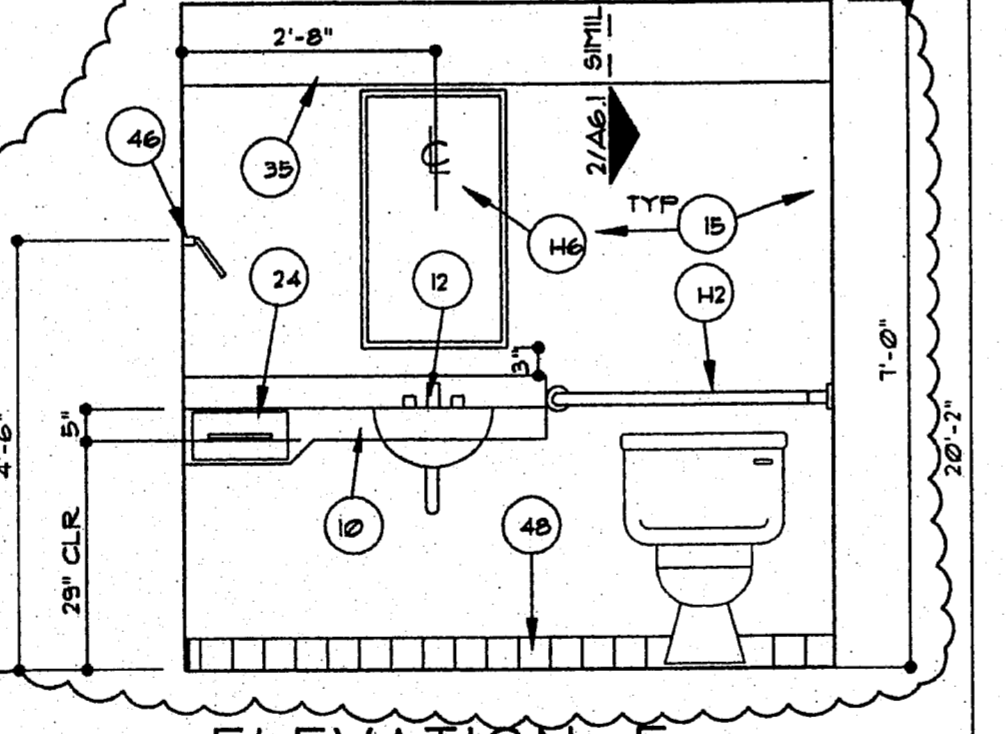
**ELEVATION E**  
SCALE: 1/2"=1'-0"



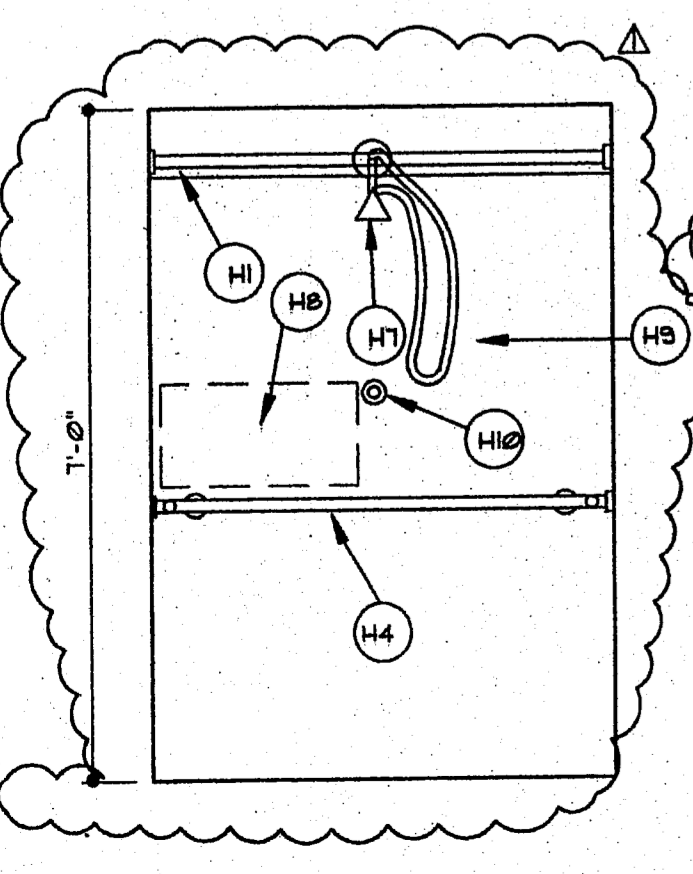
**ELEVATION H**  
SCALE: 1/2"=1'-0"



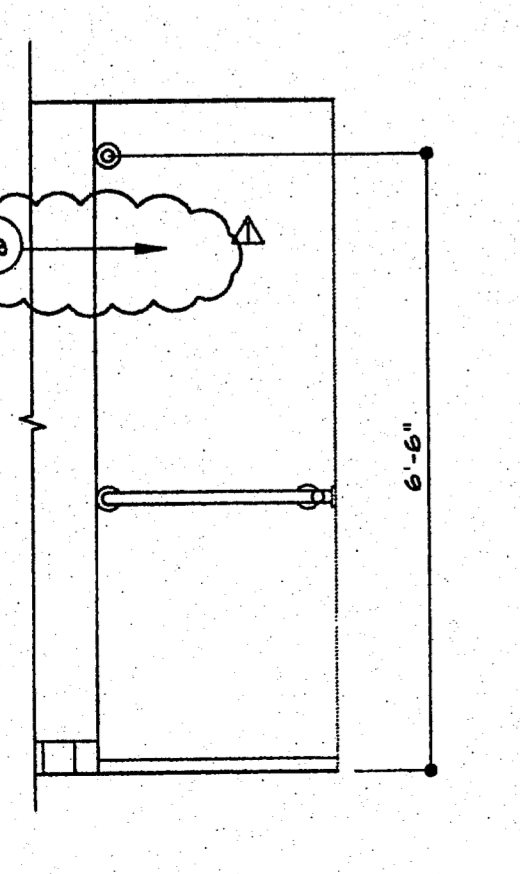
**ELEVATION G**  
SCALE: 1/2"=1'-0"



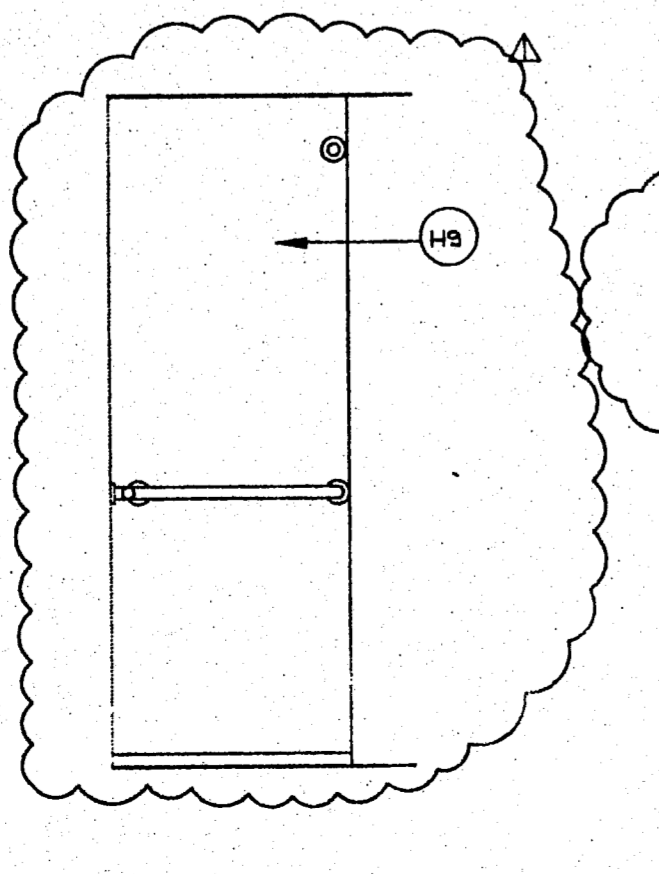
**ELEVATION F**  
SCALE: 1/2"=1'-0"



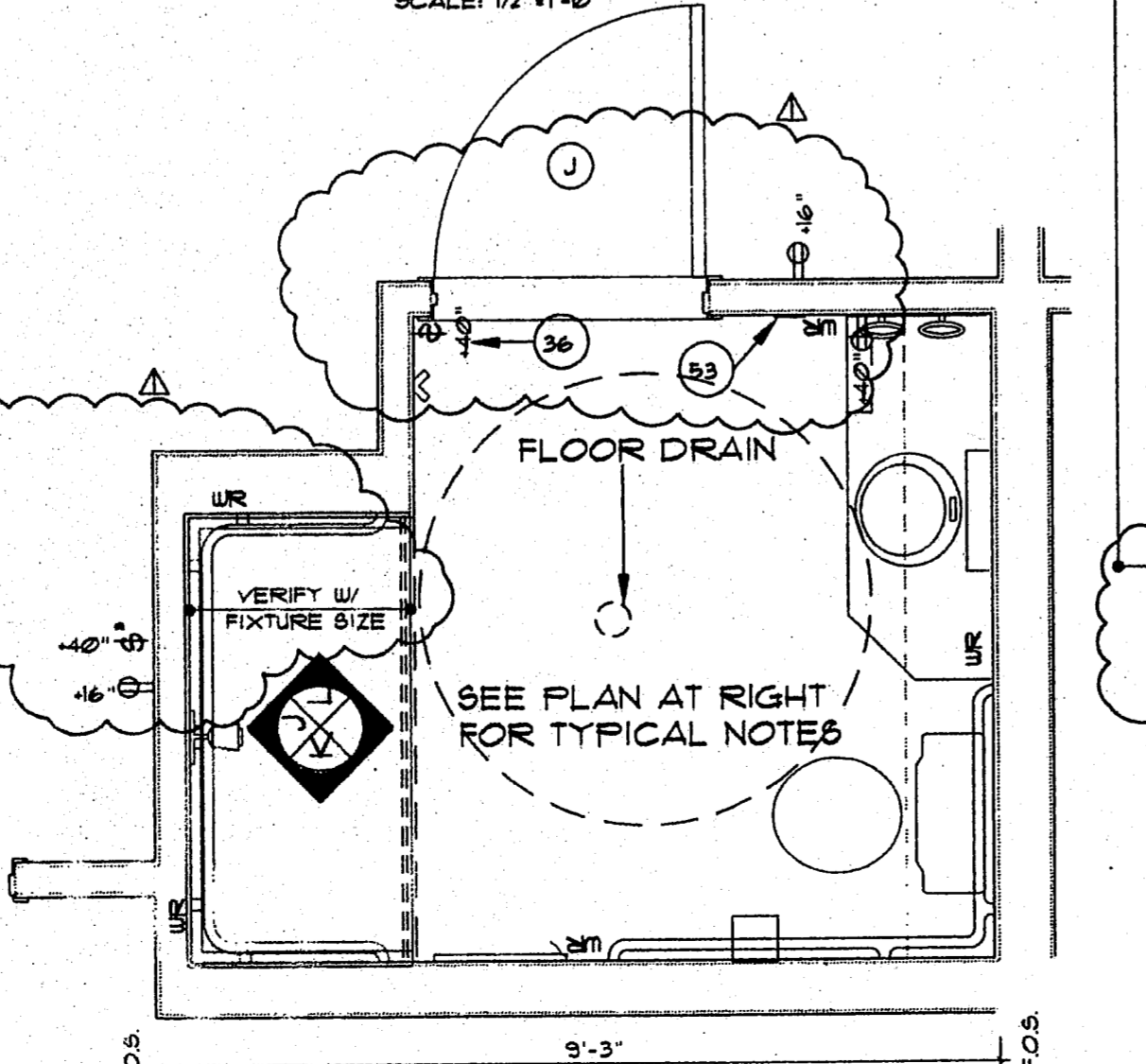
**ELEVATION L**  
SCALE: 1/2"=1'-0"



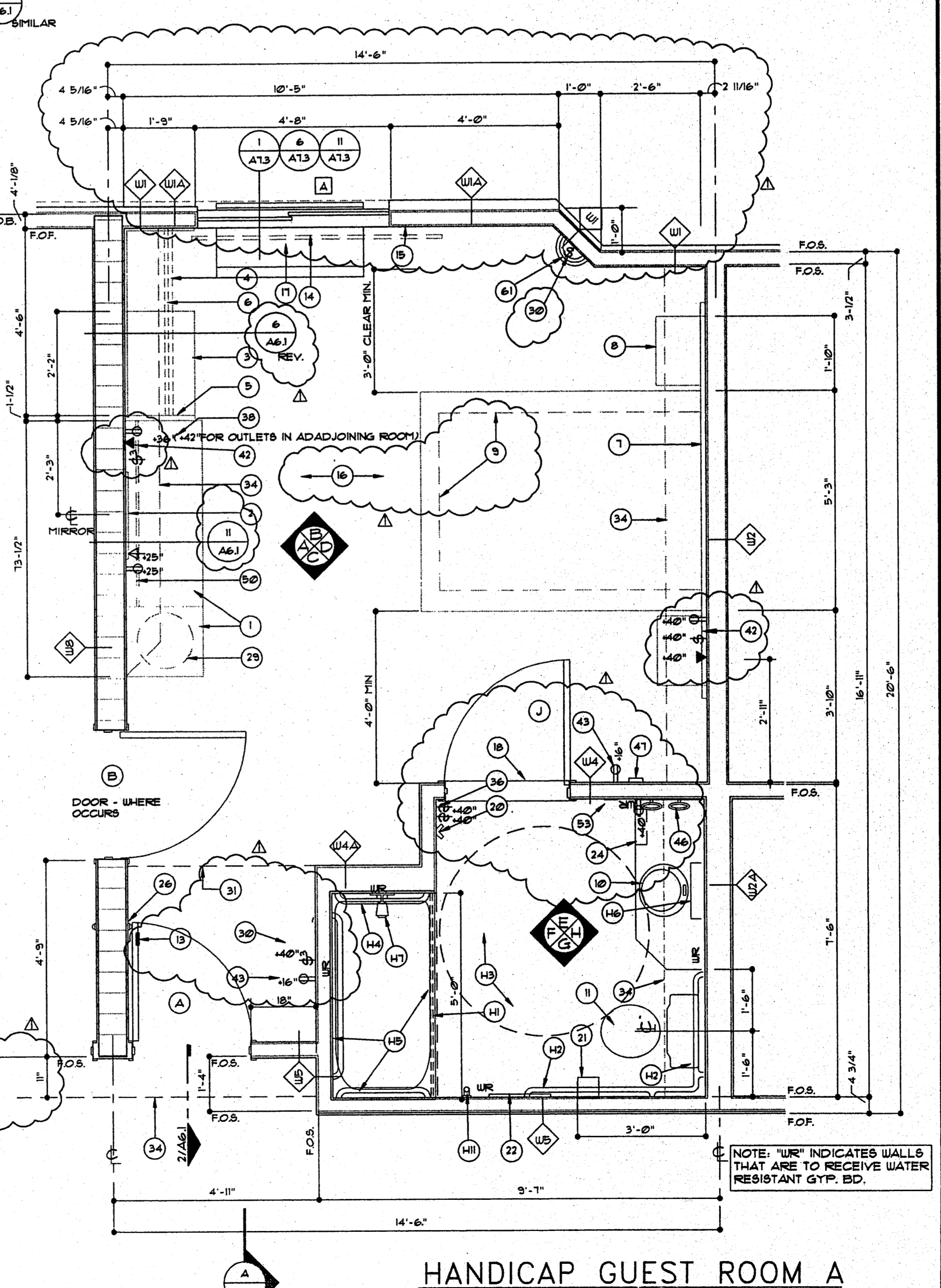
**ELEVATION K**  
SCALE: 1/2"=1'-0"



**ELEVATION J**  
SCALE: 1/2"=1'-0"



**PLAN @ ROLL-IN SHOWER**  
SCALE: 1/2"=1'-0"



**HANDICAP GUEST ROOM A**  
SCALE: 1/2"=1'-0"

**NOTES**

1. DESK W/ DRAWER UNIT
2. 25"X36" H PLATE GLASS MIRROR WITH OAK FRAME
3. LUGGAGE BENCH
4. HATRACK
5. VERTICAL DIVIDER - 1 1/2" THICK
6. HANGBAR
7. HEADBOARD
8. NIGHT STAND
9. BED AND PEDESTAL FRAME
10. VANITY TOP W/ BUILT-IN LAV. 4 TISSUE DISPENSER
11. TOILET FIXTURE
12. LAVATORY FAUCET
13. CARDREADER
14. CEILING MOUNTED DRAPERY TRACK
15. VINYL WALL COVERING
16. CARPET
17. THROUGH THE WALL A/C UNIT
18. CULTURED MARBLE THRESHOLD
19. NOT USED
20. TWIN ROBE HOOK AT 4'-6" ABOVE FLOOR
21. SURFACE MOUNTED TOILET PAPER HOLDER
22. TOILET BASK WITH BACKING
23. NOT USED
24. PAPER TISSUE DISPENSER (BUILT-IN TO LAY SKIRT)
25. JUNCTION BOX BUILT INTO SUBBASE
26. WALL-MOUNTED DOOR STOP WITH BLOCKING
27. AIR CONDITIONER SUB-BASE
28. NOT USED
29. TV/VCR LOCATION
30. SWITCH W/ LIGHTED TOGGLE - STAGGER VERTICALLY WITH BLOCKING BETWEEN AT BACK-TO-BACK LOCATIONS
31. LINE OF SOFFIT ABOVE
32. TV JACK
33. NOT USED
34. LINE OF VALANCE ABOVE
35. VALANCE FIXTURE
36. SWITCH W/ LIGHTED TOGGLE
37. NOT USED
38. DESKTOP
39. 3" HIGH BACKPLASH PANEL
40. NOT USED
41. 2x6 BACKING IN WALL SPACE
42. COMBINATION LIGHTED TOGGLE SWITCH/DUPLEX RECEPTACLE/TELEPHONE JACK
43. DUPLEX OUTLET AT 48"
44. NOT USED
45. 2x4 BLOCKING SIDEWAYS IN WALL FOR DOOR STOP
46. 4" TUBE RINGS
47. WALL MOUNTED SMOKE DETECTOR
48. CERAMIC TILE BASE
49. 2x4 BACKING IN WALL SPACE
50. 8" APRON PANEL UNDER DESKTOP - 4" CLEAR FROM FACE OF WALL (SEE ITEM)
51. AT LOCATIONS WITHOUT CONNECTING DOORS INSTALL DUPLEX OUTLET AT 48"
52. DUPLEX OUTLET AT 25"
53. GFI OUTLET AT 3'-4"
54. NOT USED
55. NOT USED
56. NOT USED
57. VISION PORT
58. ARTWORK - SEE SPECIFICATIONS (CENTER OVER HEADBOARD)
59. 4" HIGH CARPET BASE
60. OAK END SUPPORT - 1 1/2" THICK
61. WALL MOUNTED LIGHT FIXTURE AT 69" ABOVE FLOOR
62. ELECTRICAL OUTLET 208/220 VOLT FOR AIR CONDITIONER (IF APPLICABLE)
- H1. SHOWER CURTAIN ROD
- H2. TOILET GRAB BARS - INSTALL PER 'AMERICANS WITH DISABILITIES ACT' ACCESSIBILITY GUIDELINES FOR BUILDINGS AND FACILITIES
- H3. CERAMIC TILE FLOOR - SEE TYPICAL GUEST ROOM BATH TILE LAYOUT SHEET A6.3
- H4. TUB/SHOWER GRAB BARS
- H5. BATH/SHOWER STALL
- H6. 16"x30" TILT MIRROR
- H7. SHOWERHEAD AND MIXING VALVE
- H8. CONTROL AREA PER ADA
- H9. ROLL-IN SHOWER UNIT
- H10. ADDITIONAL SHOWER HEAD HOOK AT 48"
- H11. TOILET GRAB BARS - INSTALL PER 'AMERICANS WITH DISABILITIES ACT' ACCESSIBILITY GUIDELINES FOR BUILDINGS AND FACILITIES

**GENERAL NOTES**

DIMENSIONS SHOWN ON THIS SHEET FOR HEIGHT OF ELECTRICAL, TELEVISION, OR TELEPHONE OUTLETS ARE TO BE FOLLOWED WITH NO ALLOWANCES, UNDER NO CIRCUMSTANCES SHALL ANY OUTLETS OR FIXTURES IN THE DESIGNING WALLS BE PLACED BACK-TO-BACK.

ALL SWITCHES IN ROOMS TO BE LIGHTED WIDE TOGGLE (LIT WHEN OFF)

GANG TOGETHER SWITCHES AND OUTLETS WITH COMMON SWITCH PLATE, TYPICAL IN ALL ROOMS

**LEGEND**

- REFER TO INTERIOR ELEVATIONS, THIS SHEET
- REFER TO WALL TYPES, SHEET A9.3
- REFER TO DOOR SCHEDULE, SHEET A9.2
- REFER TO WINDOW ELEVATIONS SHEET A9.3
- REFER TO NOTES, THIS SHEET

revisions:  
 REVIEW 10-14-97

seal:

**Step Inn**  
 Jackson, Mississippi

title:  
 HANDICAP GUEST ROOM TYPE 'A'

date: 10-14-97  
 Job: 1697  
 file: 1697-A41  
 scale: 1/2"=1'-0"

sheet  
**A4.1**  
 of 34