

**NOTES**

1. DESK W/ DRAWER UNIT
2. 25"X36" H PLATE GLASS MIRROR WITH OAK FRAME
3. LUGGAGE BENCH
4. HATRACK
5. VERTICAL DIVIDER - 1 1/2" THICK
6. HANGBOARD
7. NIGHT STAND
8. BED AND PEDESTAL FRAME
9. VANITY TOP W/ BUILT-IN LAV. & TISSUE DISPENSER
10. TOILET FIXTURE
11. LAVATORY FAUCET
12. NOT USED
13. CEILING MOUNTED DRAPEY TRACK
14. VINYL WALL COVERING
15. CARPET
16. THROUGH THE WALL A/C UNIT
17. BLOCKING
18. NOT USED
19. TWIN ROBE HOOK AT 8'-10"
20. SURFACE MOUNTED TOILET PAPER HOLDER
21. TOILET BAR WITH BACKING
22. NOT USED
23. FACIAL TISSUE DISPENSER (BUILT-IN TO LAV TOP)
24. JUNCTION BOX BUILT INTO SUBFRAME (IF APPLICABLE)
25. WALL-MOUNTED DOOR STOP WITH BLOCKING
26. AIR CONDITIONER SUB-BASE (IF APPLICABLE)
27. NOT USED
28. TV/VCR LOCATION
29. SWITCH W/ LIGHTED TOGGLE - STAGGER VERTICALLY WITH BLOCKING BETWEEN AT BACK-TO-BACK LOCATIONS
30. LINE OF SOFFIT ABOVE
31. TV JACK
32. ELECTRICAL AND TELEPHONE MOUNTED @ 24" AFF.
33. LINE OF VALANCE ABOVE
34. VALANCE FIXTURE
35. SWITCH W/ LIGHTED TOGGLE AND G.F.I. OUTLET
36. NOT USED
37. DESKTOP
38. 3" HIGH BACKSPASH PANEL
39. NOT USED
40. 2x6 BACKING IN WALL SPACE
41. COMBINATION LIGHTED TOGGLE SWITCH/DOUPLEX RECEPTACLE/TELEPHONE JACK
42. DUPLEX OUTLET AT 46"
43. PLATE GLASS MIRROR WITH POLISHED UNFRAMED EDGES
44. 2x4 BLOCKING SIDEWAYS IN WALL FOR DOOR STOP
45. (2) TOILET RINGS
46. CEILING MOUNTED SMOKE DETECTOR
47. CERAMIC TILE BASE
48. 2x4 BACKING IN WALL SPACE
49. 8" ASPEN PANEL UNDER DESKTOP - 4" CLEAR FROM FACE OF WALL (FR 11E)
50. AT LOCATIONS WITHOUT CONNECTING DOORS INSTALL DUPLEX OUTLET AT 46"
51. DUPLEX OUTLET AT 25"
52. NOT USED
53. NOT USED
54. NOT USED
55. NOT USED
56. VISION PORT
57. ARTWORK - SEE SPECIFICATIONS (CENTER OVER NIGHTSTAND)
58. 4" HIGH CARPET BASE
59. OAK END SUPPORT - 1 1/2" THICK
60. WALL MOUNTED LIGHT FIXTURE AT 69" AFF.
61. ELECTRICAL OUTLET 200/250 VOLT FOR AIR CONDITIONER (IF APPLICABLE)
- 62.

revisions:  
 REVIEW 10-14-97

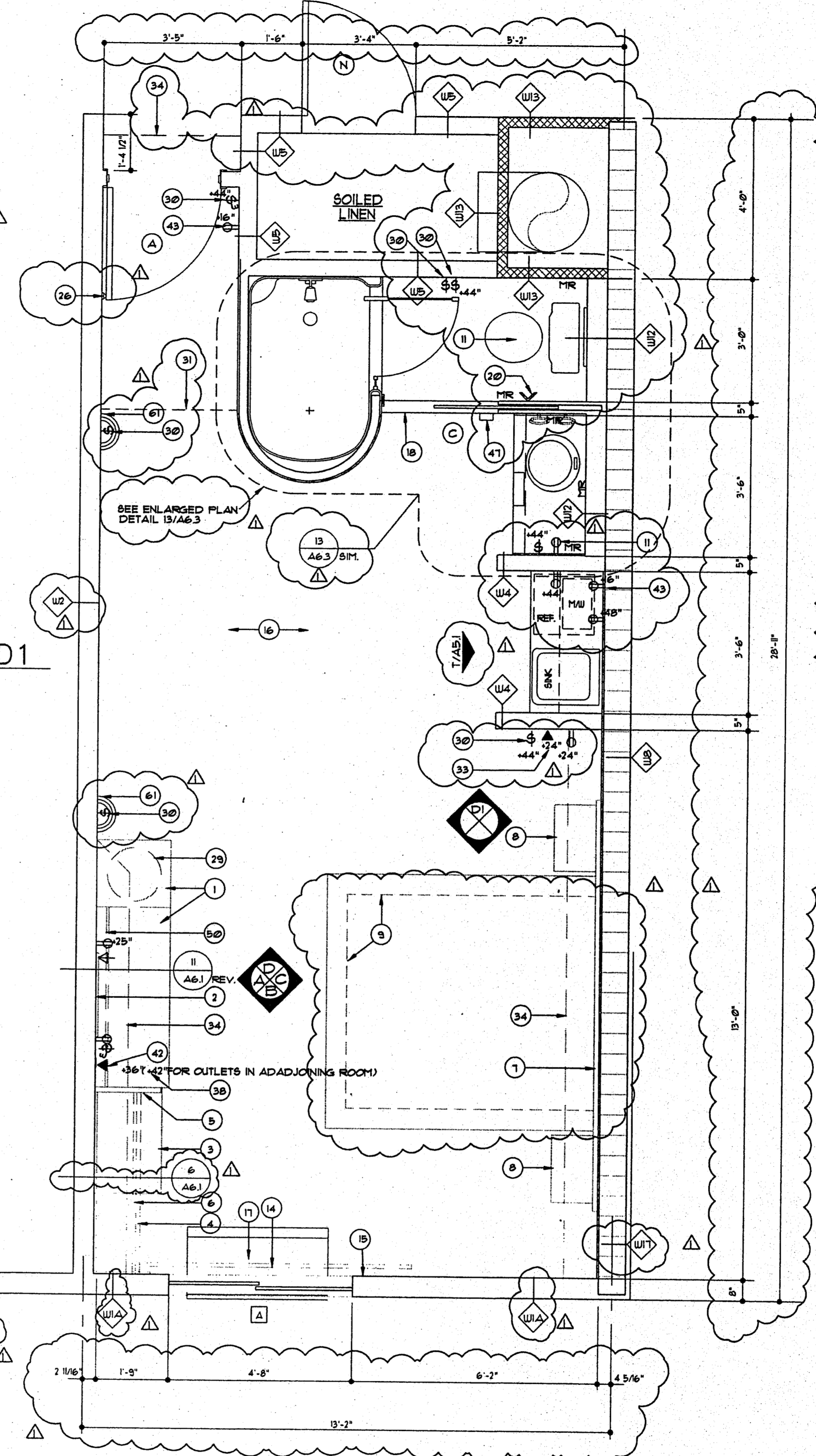
seal:

**Sleep Inn**  
 Jackson, Mississippi

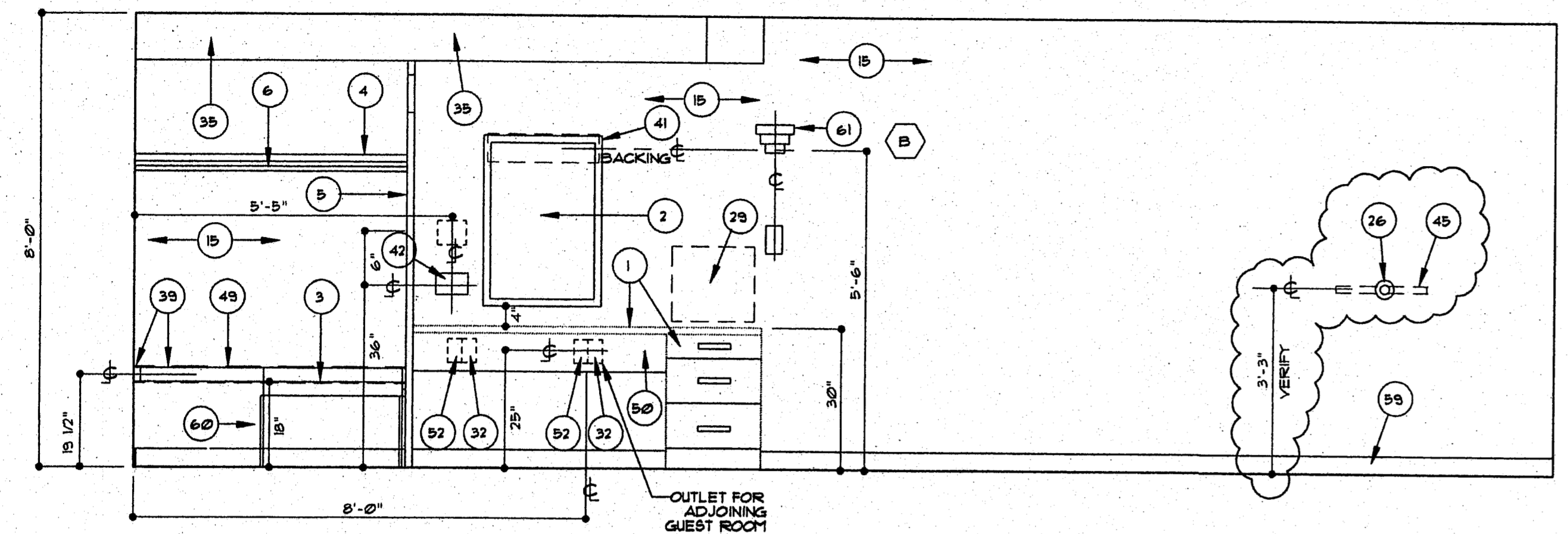
title:  
 KING GUEST ROOM TYPE 'E'

date: 10-14-97  
 job: 1697  
 file: 1697-A45  
 scale: 1/2"=1'-0"

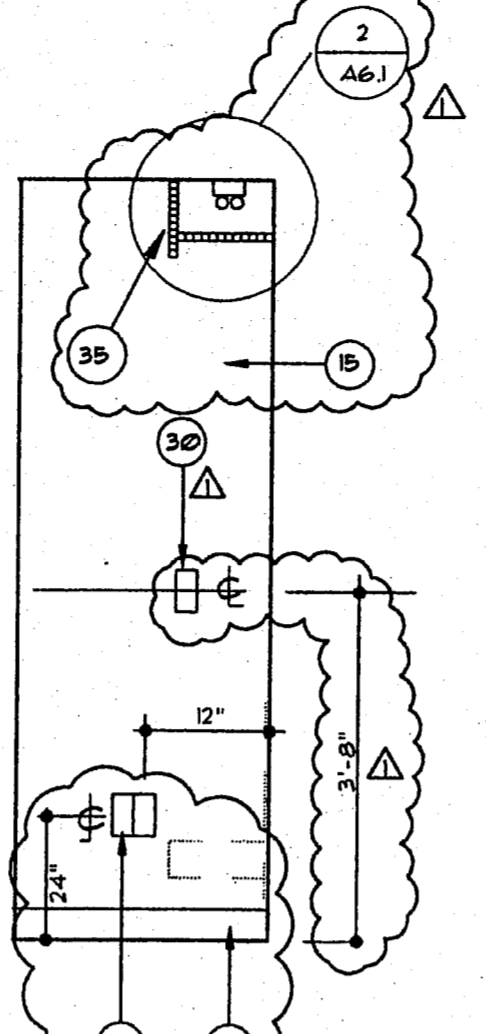
sheet  
**A45**  
 of 34



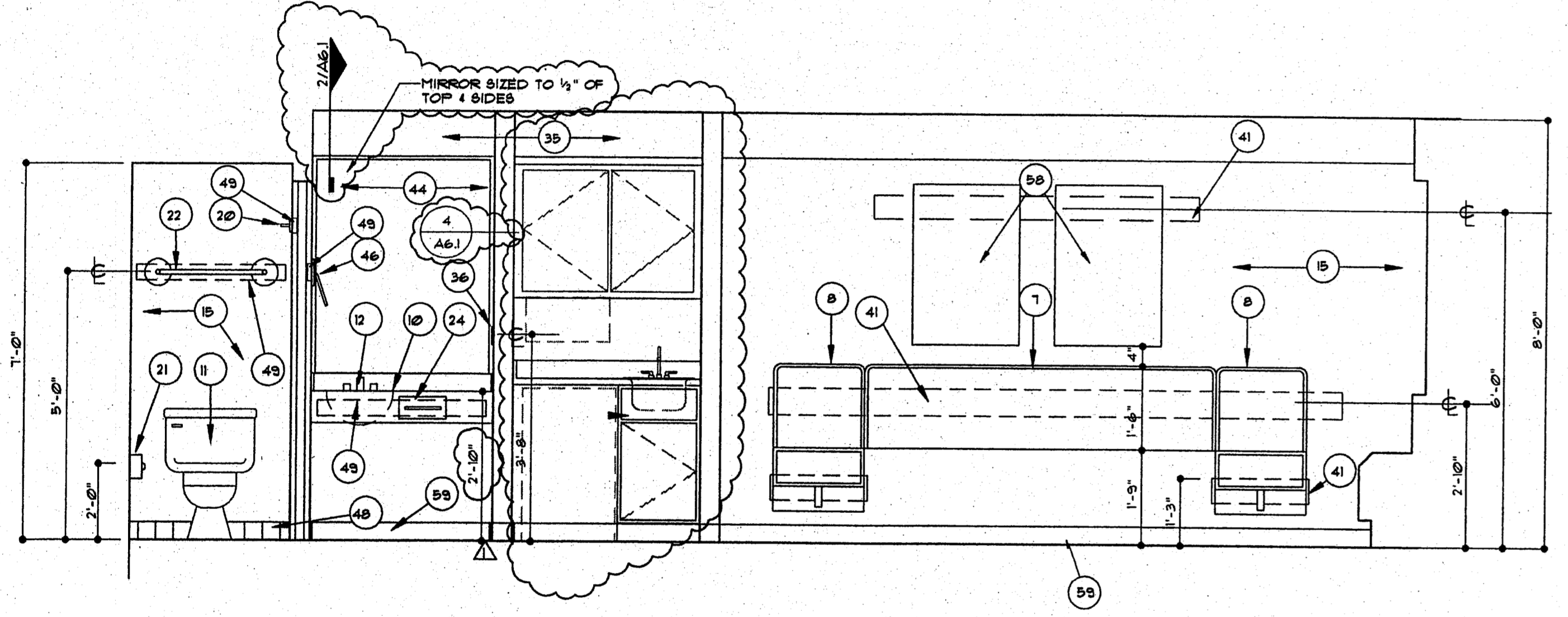
**GUEST ROOM TYPE E**  
 SCALE: 1/2"=1'-0"



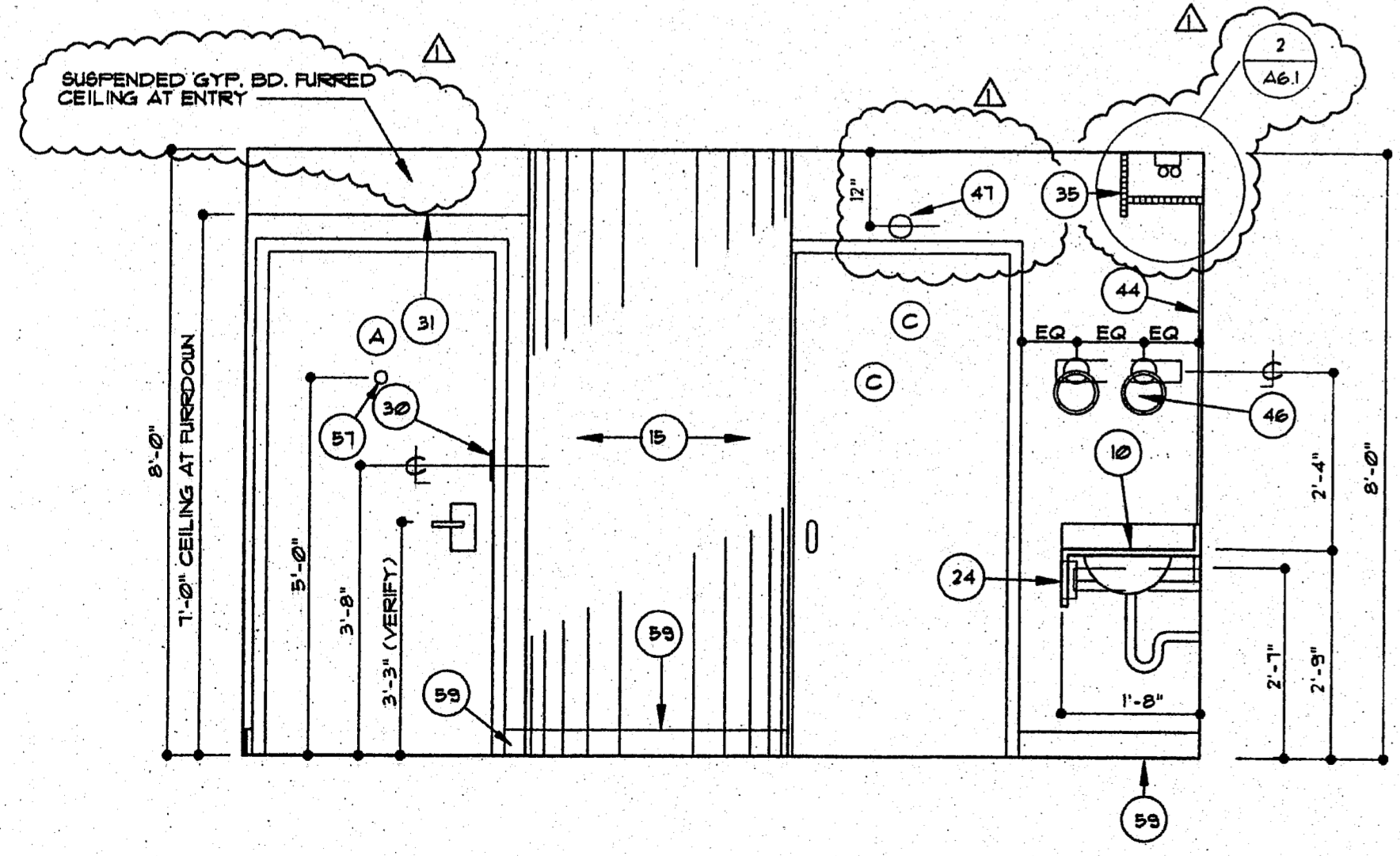
**ELEVATION A**  
 SCALE: 1/2"=1'-0"



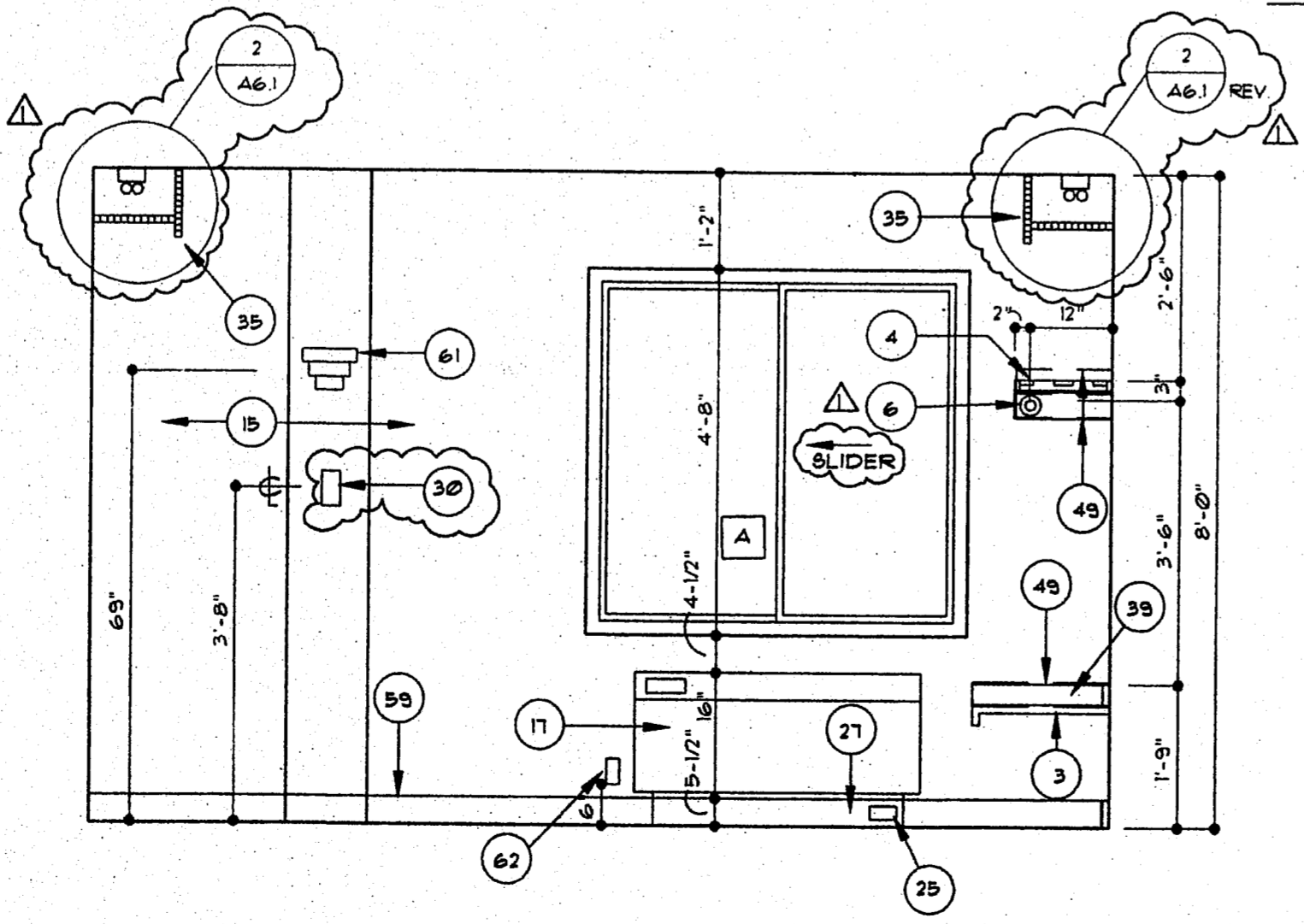
**ELEVATION D1**  
 SCALE: 1/2"=1'-0"



**ELEVATION C**  
 SCALE: 1/2"=1'-0"



**ELEVATION D**  
 SCALE: 1/2"=1'-0"



**ELEVATION B**  
 SCALE: 1/2"=1'-0"

**GENERAL NOTE**

DIMENSIONS SHOWN ON THIS SHEET FOR HEIGHT OF ELECTRICAL, TELEVISION, OR TELEPHONE OUTLETS ARE TO BE FOLLOWED WITH NO ALLOWANCES. UNDER NO CIRCUMSTANCES SHALL ANY OUTLETS OR FIXTURES IN THE OPENING WALLS BE PLACED BACK-TO-BACK. SEE DET 10/A5.4

**LEGEND**

- REFER TO INTERIOR ELEVATIONS, THIS SHEET
- REFER TO WALL TYPES,
- REFER TO DOOR SCHEDULE,
- REFER TO WINDOW ELEVATIONS
- REFER TO NOTES, THIS SHEET