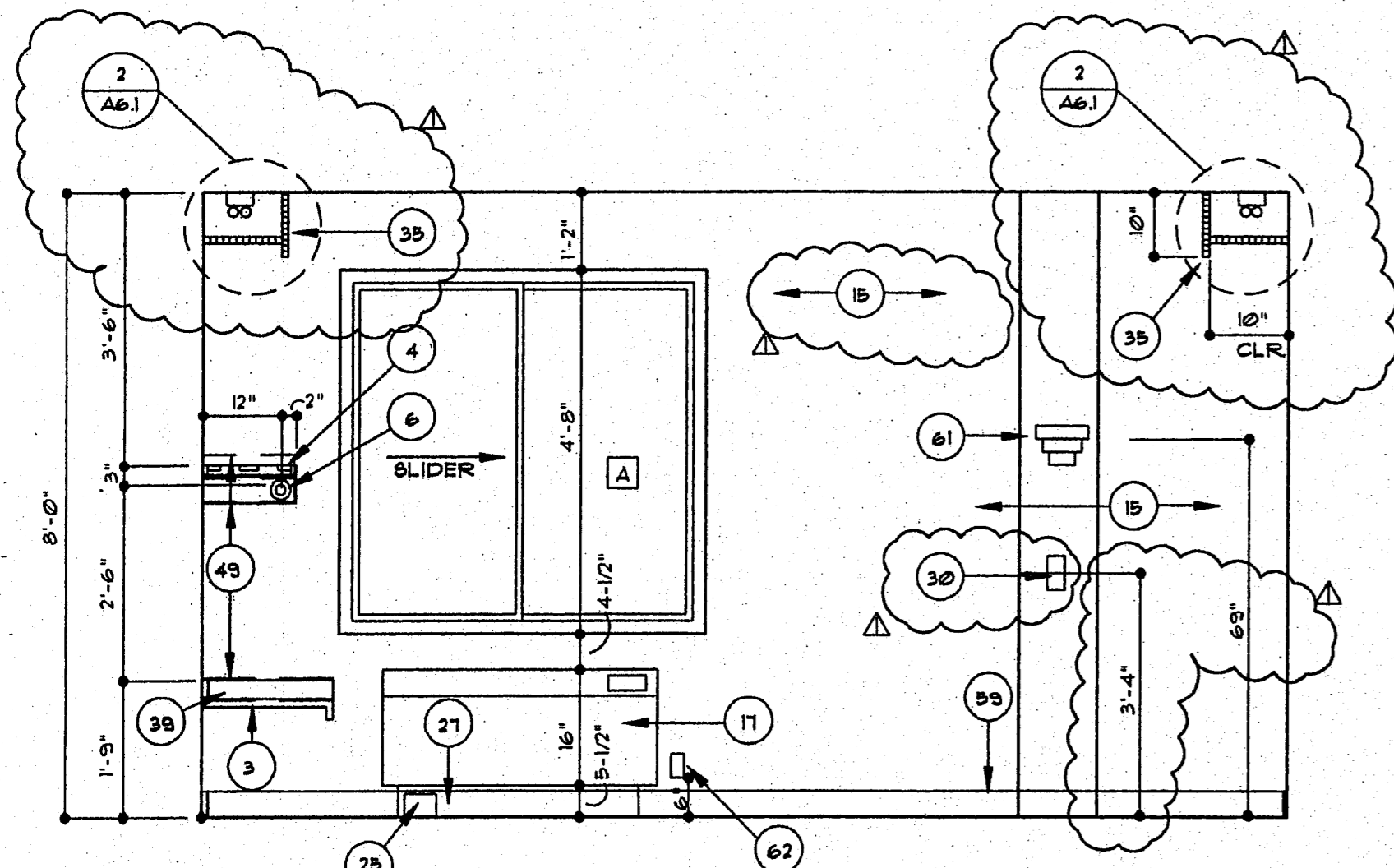
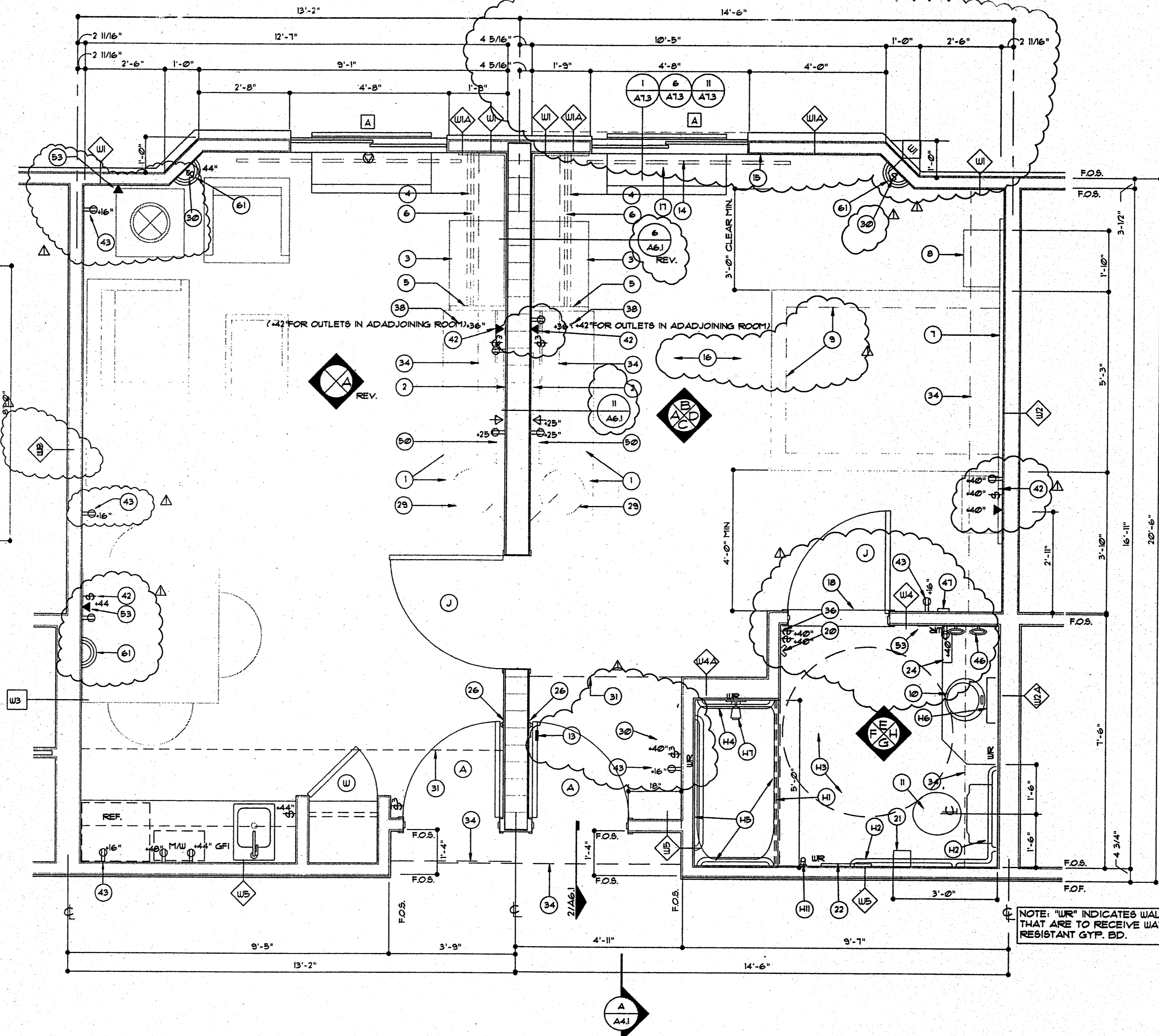


ELEVATION A
SCALE: 1/2"=1'-0"

OUTLET FOR ADJOINING GUEST ROOM



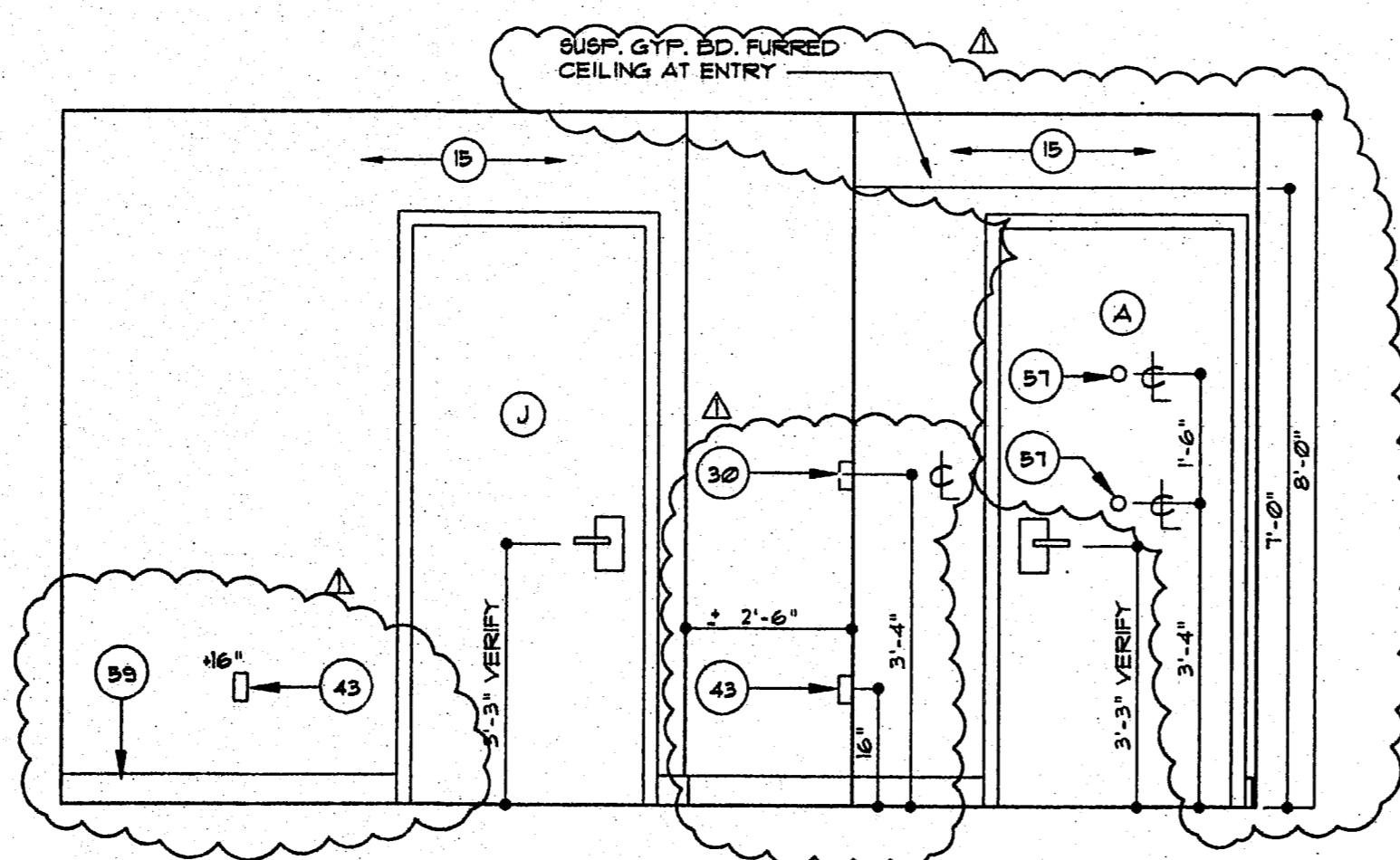
ELEVATION B
SCALE: 1/2"=1'-0"



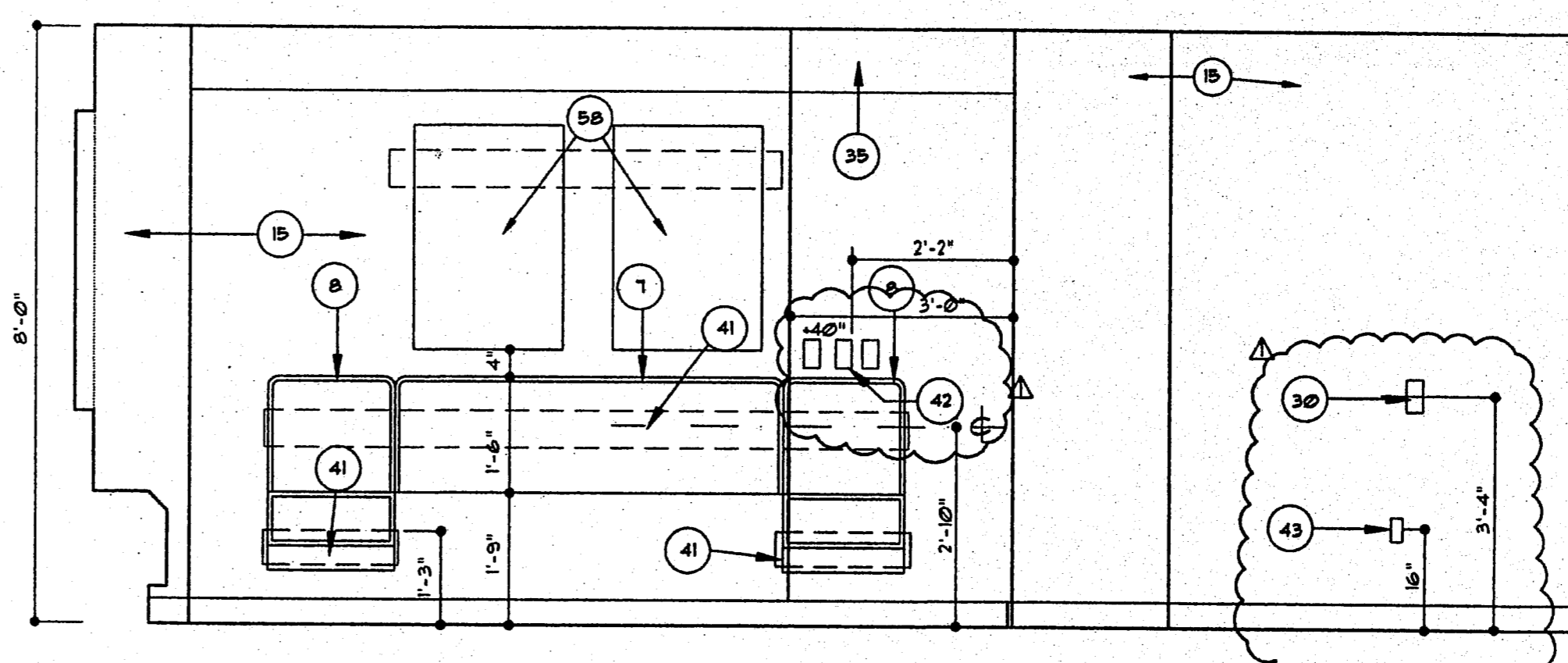
GUEST ROOM TYPE F

SCALE: 1/2"=1'-0"

NOTE:
SEE SHEET A41 FOR BATH ELEVATIONS.



ELEVATION C
SCALE: 1/2"=1'-0"



ELEVATION D
SCALE: 1/2"=1'-0"

- ### NOTES
- DESK W/ DRAWER UNIT
 - 25"X36"X1/4" PLATE GLASS MIRROR WITH OAK FRAME
 - LUGGAGE BENCH
 - HATRACK
 - VERTICAL DIVIDER - 1 1/2" THICK
 - HANGBAR
 - HEADBOARD
 - NIGHT STAND
 - BED AND FREESTAL FRAME
 - VANITY TOP W/ BUILT-IN LAV. 4 TISSUE DISPENSER
 - TOILET FIXTURE
 - LAVATORY FAUCET
 - CARDREADER
 - CEILING MOUNTED DRAPERY TRACK
 - VINYL WALL COVERING
 - CARPET
 - THROUGH THE WALL A/C UNIT
 - CULTURED MARBLE THRESHOLD
 - NOT USED
 - TUIN ROBE HOOK AT 4'-6" ABOVE FLOOR
 - SURFACED MOUNTED TOILET PAPER HOLDER
 - TOILET BAR WITH BACKING
 - NOT USED
 - PARASOL/BEACH DISPENSER (BUILT-IN TO LAV SKIRT)
 - JUNCTION BOX BUILT INTO SUBBASE
 - WALL MOUNTED DOOR STOP WITH BLOCKING
 - AIR CONDITIONER SUB-BASE
 - NOT USED
 - TV/PCR LOCATION
 - SWITCH W/ LIGHTED TOGGLE - STAGGER VERTICALLY WITH BLOCKING BETWEEN AT BACK-TO-BACK LOCATIONS
 - LINE OF SOFFIT ABOVE
 - TV JACK
 - NOT USED
 - LINE OF VALANCE ABOVE
 - VALANCE FIXTURE
 - SWITCH W/ LIGHTED TOGGLE
 - NOT USED
 - DESKTOP
 - 3" HIGH BACKSPASH PANEL
 - NOT USED
 - 2X6 BACKING IN WALL SPACE
 - COMBINATION LIGHTED TOGGLE SWITCH/DUPLEX RECEPTACLE/TELEPHONE JACK
 - DUPLEX OUTLET AT 46"
 - NOT USED
 - 4" BLOCKING SIDEWAYS IN WALL FOR DOOR STOP
 - 4"X7" TOILET RINGS
 - WALL MOUNTED SMOKE DETECTOR
 - CERAMIC TILE BASE
 - 2X4 BACKING IN WALL SPACE
 - 8" APRON PANEL UNDER DESKTOP - 4" CLEAR FROM FACE OF WALL (SEE ITEM 1)
 - AT LOCATIONS WITHOUT CONNECTING DOORS INSTALL DUPLEX OUTLET AT 46"
 - DUPLEX OUTLET AT 25"
 - GFI OUTLET AT 3'-4" (SEE NOTE 1)
 - NOT USED
 - NOT USED
 - VISION PORT
 - ARTWORK - SEE SPECIFICATIONS (CENTER OVER HEADBOARD)
 - 4" HIGH CARPET BASE
 - OAK END SUPPORT - 1 1/2" THICK
 - WALL MOUNTED LIGHT FIXTURE AT 69" ABOVE FLOOR
 - ELECTRICAL OUTLET 208/220 VOLT FOR AIR CONDITIONER (IF APPLICABLE)
- H1. SHOWER CURTAIN ROD
H2. TOILET GRAB BARS - INSTALL PER 'AMERICANS WITH DISABILITIES ACT' ACCESSIBILITY GUIDELINES FOR BUILDINGS AND FACILITIES
H3. CERAMIC TILE FLOOR - SEE TYPICAL GUEST ROOM BATH TILE LAYOUT SHEET A63
H4. TUB/SHOWER BENCH
H5. BATH/SHOWER STALL
H6. 16"X30" TILT MIRROR
H7. SHOWERHEAD AND MIXING VALVE
H8. CONTROL AREA PER A.D.A.
H9. ROLL-IN SHOWER UNIT
H10. ADDITIONAL SHOWER HEAD HOOK AT 48"
H11. TOILET GRAB BARS - INSTALL PER 'AMERICANS WITH DISABILITIES ACT' ACCESSIBILITY GUIDELINES FOR BUILDINGS AND FACILITIES

- ### GENERAL NOTES
- DIMENSIONS SHOWN ON THIS SHEET FOR HEIGHT OF ELECTRICAL, TELEVISION, OR TELEPHONE OUTLETS ARE TO BE FOLLOWED WITH NO ALLOWANCES, UNDER NO CIRCUMSTANCES SHALL ANY OUTLETS OR FIXTURES IN THE DEMISING WALLS BE PLACED BACK-TO-BACK.
- ALL SWITCHES IN ROOMS TO BE LIGHTED WIDE TOGGLE (LIT WHEN OFF)
- GANG TOGETHER SWITCHES AND OUTLETS WITH COMMON SWITCH PLATE, TYPICAL IN ALL ROOMS

- ### LEGEND
- REFER TO INTERIOR ELEVATIONS, THIS SHEET
 - REFER TO WALL TYPES, SHEET A9.3
 - REFER TO DOOR SCHEDULE, SHEET A9.2
 - REFER TO WINDOW ELEVATIONS SHEET A9.3
 - REFER TO NOTES, THIS SHEET

LLW, Inc.
803 SOUTH MT. MORIAH, STE. 100B
MEMPHIS, TENNESSEE 38177-5343
901-683-7175/FAX 901-683-2385
LEONARD MESSINA, ARCHITECT

revisions:
REVIEW 10-14-97

seal:

Step Inn
Jackson, Mississippi

title:
KING GUEST ROOM TYPE 'F'

date: 10-14-97
job: 1697
file: 1697-A46
scale: 1/2"=1'-0"

sheet
A46
of 34