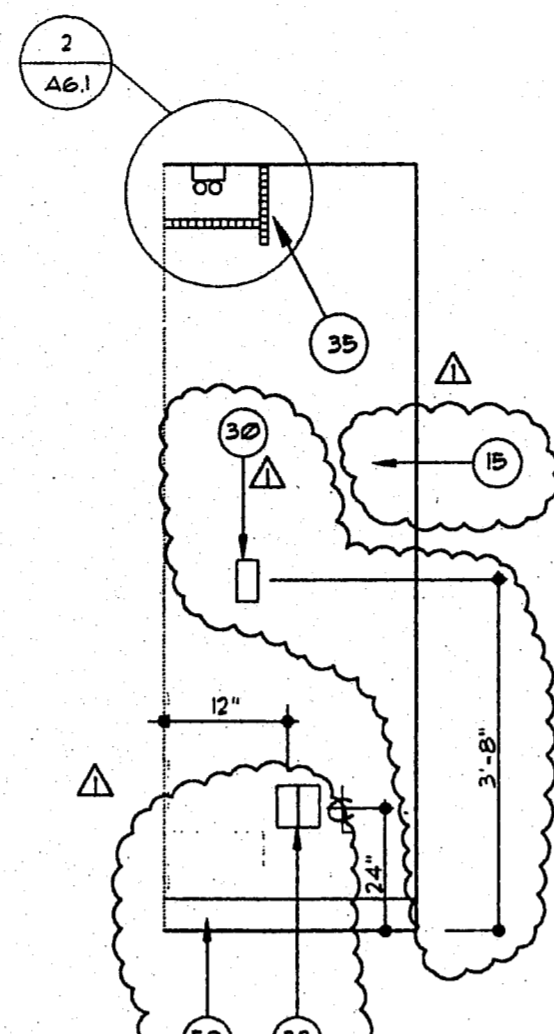
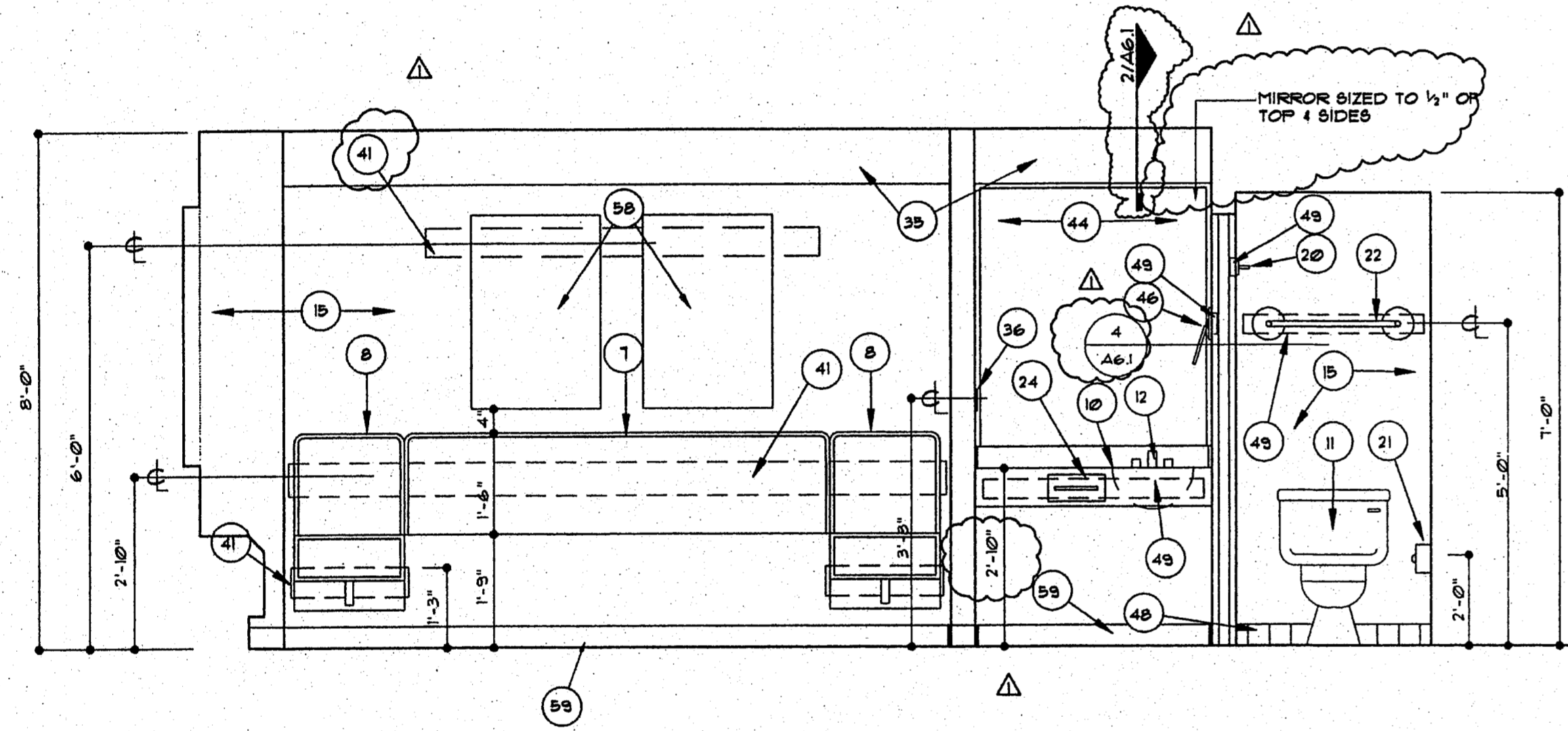


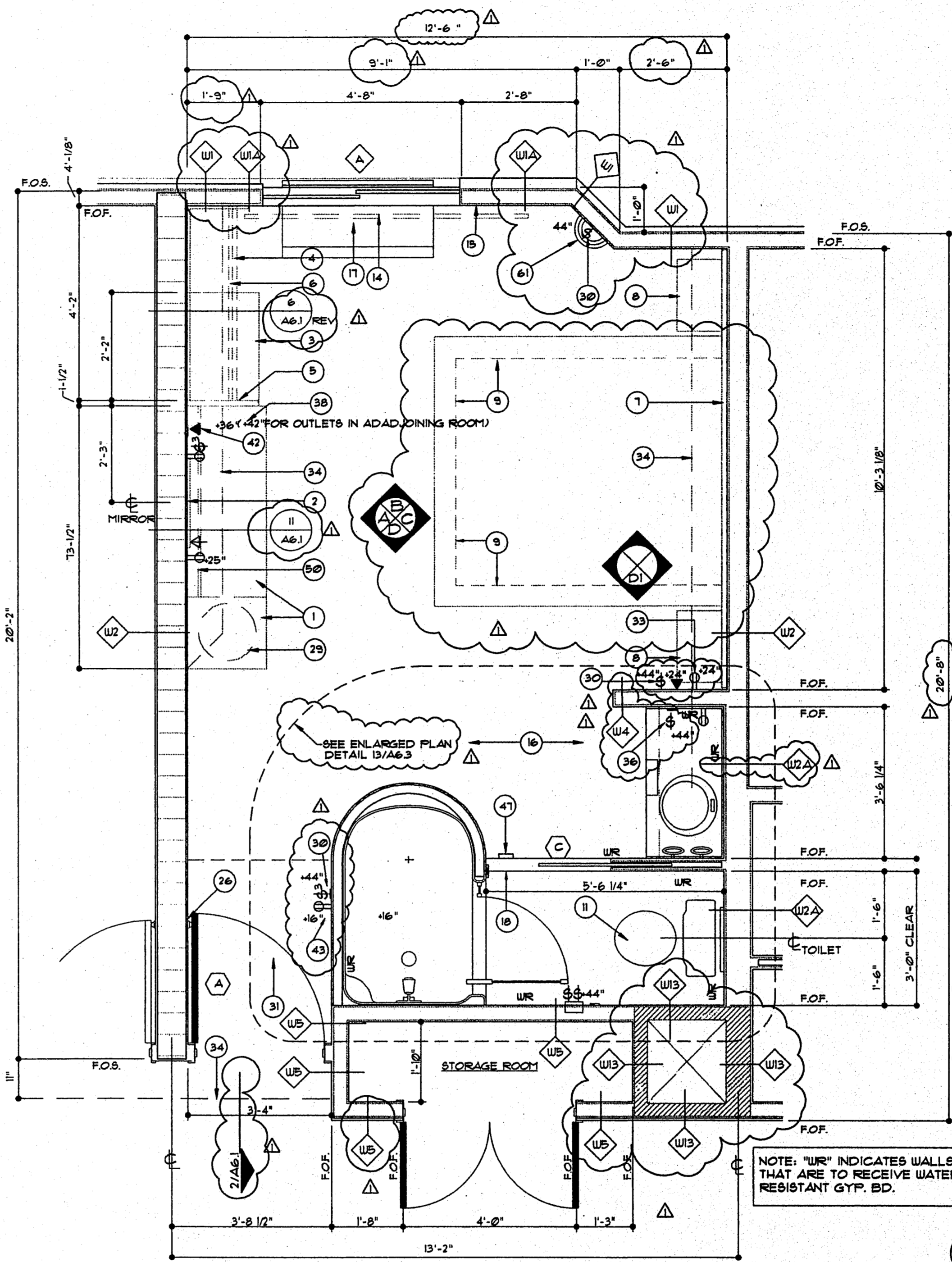
ELEVATION A
SCALE: 1/2"=1'-0"



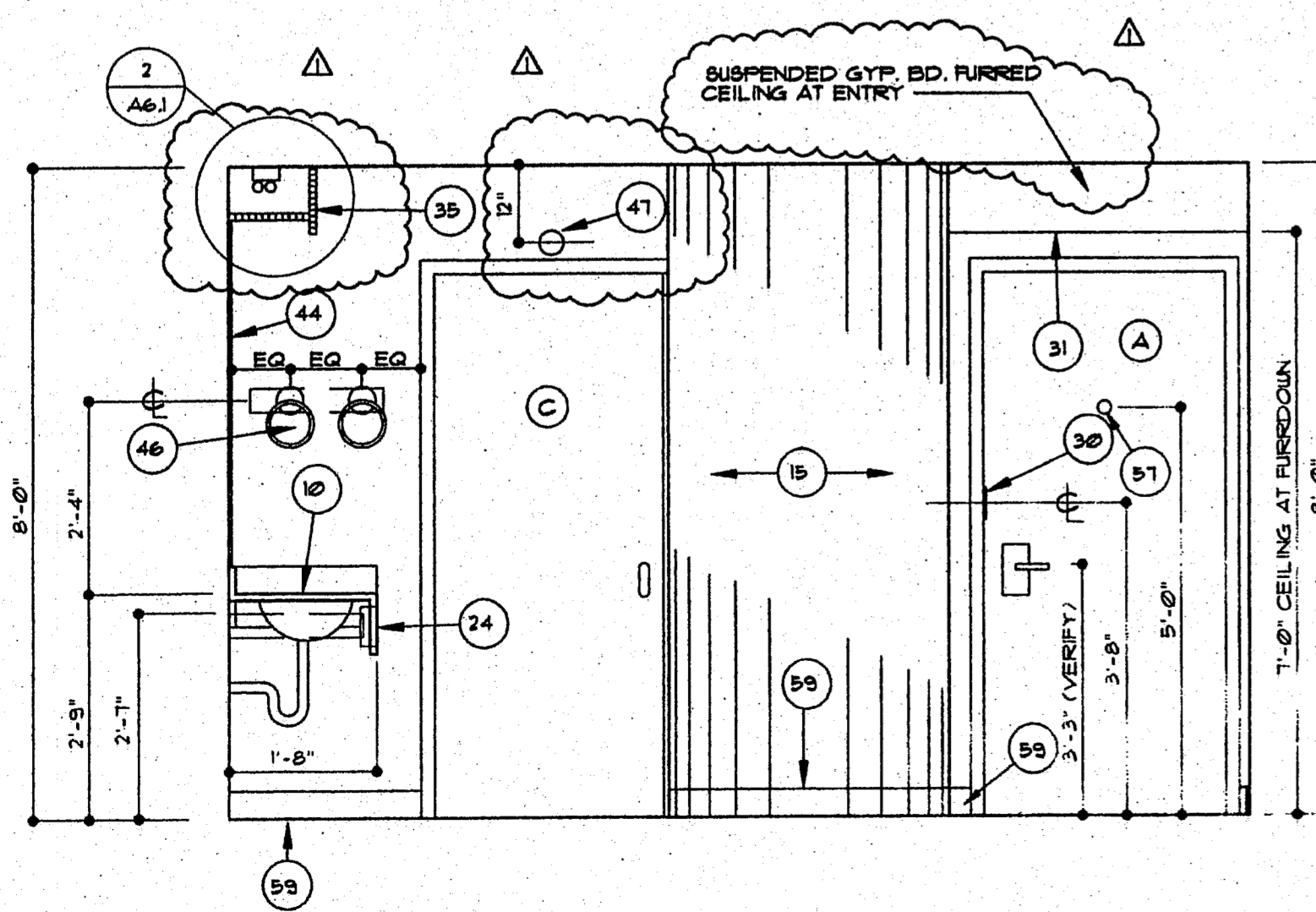
ELEVATION D1
SCALE: 1/2"=1'-0"



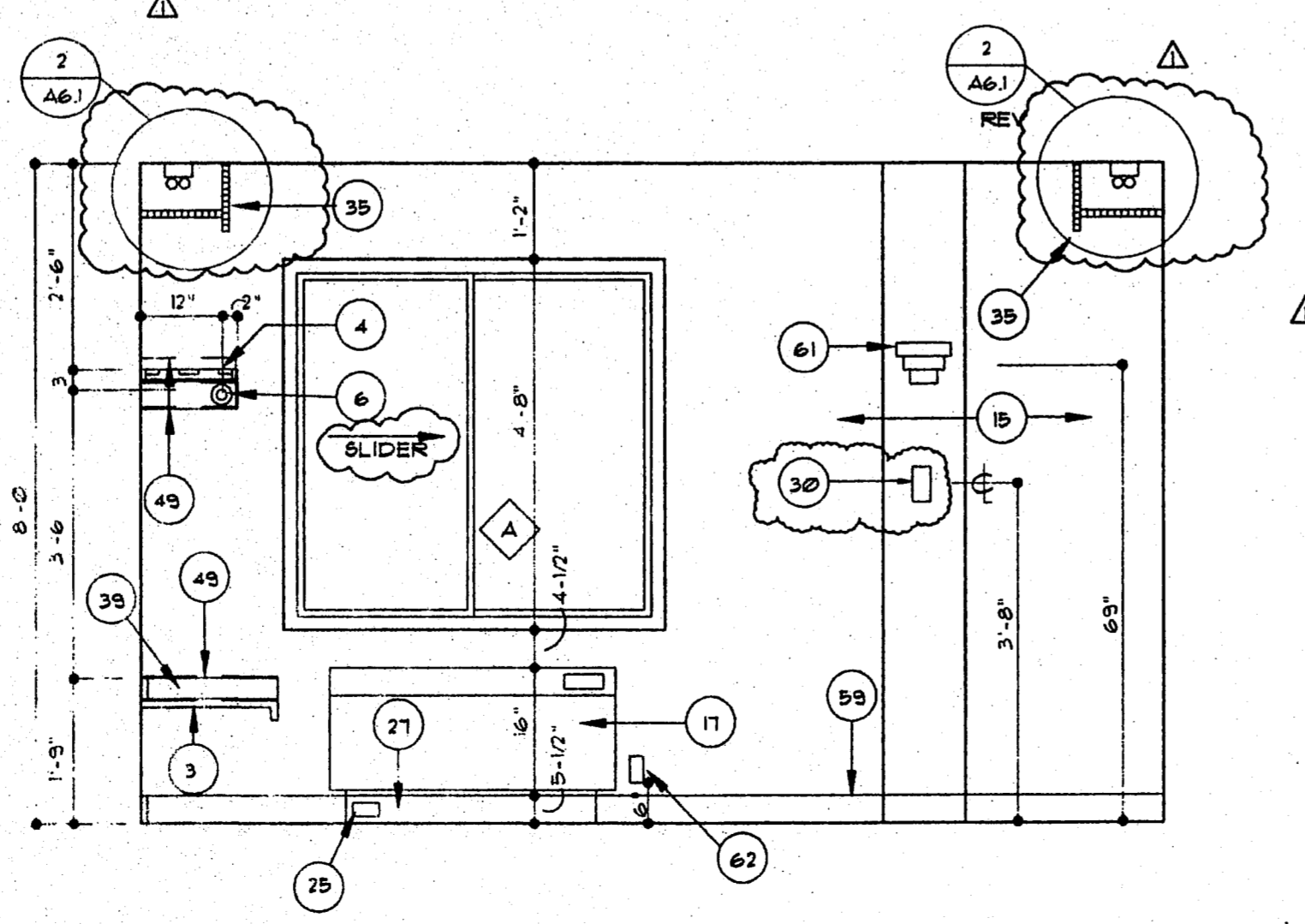
ELEVATION C
SCALE: 1/2"=1'-0"



GUEST ROOM TYPE G
SCALE: 1/2"=1'-0"



ELEVATION D
SCALE: 1/2"=1'-0"



ELEVATION B
SCALE: 1/2"=1'-0"

NOTES

1. DESK W/ DRAWER UNIT
2. 28"X36" H PLATE GLASS MIRROR WITH OAK FRAME
3. LUGGAGE BENCH
4. HATRACK
5. VERTICAL DIVIDER - 1 1/2" THICK
6. HANGBAR
7. HEADBOARD
8. NIGHT STAND
9. BED AND PEDESTAL FRAME
10. VANITY TOP W/ BUILT-IN LAV. + TISSUE DISPENSER
11. TOILET FIXTURE
12. LAVATORY FAUCET
13. NOT USED
14. CEILING MOUNTED DRAPERY TRACK
15. VINYL WALL COVERING
16. CARPET
17. THROUGH THE WALL A/C UNIT
18. CULTURED MARBLE THRESHOLD
19. NOT USED
20. TURN ROBE HOOK AT 5'-10"
21. SURFACE MOUNTED TOILET PAPER HOLDER
22. TOILET BAR WITH BACKING
23. NOT USED
24. FACIAL TISSUE DISPENSER (BUILT-IN TO LAV TOP)
25. JUNCTION BOX BUILT INTO SUBFRAME
26. WALL MOUNTED DOOR STOP WITH BLOCKING
27. AIR CONDITIONER SUB-BASE
28. NOT USED
29. TV/COR LOCATION
30. SWITCH W/ LIGHTED TOGGLE - STAGGER VERTICALLY WITH BLOCKING BETWEEN AT BACK-TO-BACK LOCATIONS
31. LINE OF SOFFIT ABOVE
32. TV JACK
33. ELECTRICAL AND TELEPHONE MOUNTED # 24" AFF.
34. LINE OF VALANCE ABOVE
35. VALANCE FIXTURE
36. SWITCH W/ LIGHTED TOGGLE AND GFI. OUTLET
37. NOT USED
38. DESKTOP
39. 3" HIGH BACKSPLASH PANEL
40. NOT USED
41. 2x6 BACKING IN WALL SPACE
42. COMBINATION LIGHTED TOGGLE SWITCH/DUPLEX RECEPTACLE/TELEPHONE JACK
43. DUPLEX OUTLET AT 46"
44. PLATE GLASS MIRROR WITH POLISHED-UNDERMOUNTED EDGES SET IN CHROME U CHANNEL AT BOTTOM
45. 2x4 BLOCKING SIDWAYS IN WALL FOR DOOR STOP
46. 2" TOILET RINGS
47. WALL MOUNTED SMOKE DETECTOR
48. CERAMIC TILE BASE
49. 2x4 BACKING IN WALL SPACE
50. 8" APRON PANEL UNDER DESKTOP - 4" CLEAR FROM FACE OF WALL FREE ITEM
51. AT LOCATIONS WITHOUT CONNECTING DOORS INSTALL DUPLEX OUTLET AT 46"
52. DUPLEX OUTLET AT 45"
53. NOT USED
54. NOT USED
55. NOT USED
56. NOT USED
57. VISION PORT
58. ARTWORK - SEE SPECIFICATIONS (CENTER OVER NIGHTSTAND)
59. 4" HIGH CARPET BASE
60. OAK END SUPPORT - 1 1/2" THICK
61. WALL MOUNTED LIGHT FIXTURE AT 65" AFF.
62. ELECTRICAL OUTLET 100V/220 VOLT FOR AIR CONDITIONER

GENERAL NOTES

DIMENSIONS SHOWN ON THIS SHEET FOR HEIGHT OF ELECTRICAL, TELEVISION, OR TELEPHONE OUTLETS ARE TO BE FOLLOWED WITH NO ALLOWANCES. UNDER NO CIRCUMSTANCES SHALL ANY OUTLETS OR FIXTURES IN THE DEMISING WALLS BE PLACED BACK-TO-BACK.

LEGEND

- REFER TO INTERIOR ELEVATIONS, THIS SHEET
- REFER TO WALL TYPES, SHEET A93
- REFER TO DOOR SCHEDULE, SHEET A92
- REFER TO WINDOW ELEVATIONS SHEET A93
- REFER TO NOTES, THIS SHEET

LLW, Inc.
803 SOUTH MT. MORIAH, STE. 100B
MEMPHIS, TENNESSEE 38117-5343
901-683-7755/FAX 901-683-2385
LEONARD MESSINA, ARCHITECT

revisions:
REVIEW 10-14-91

seal:

Sleep Inn
Jackson, Mississippi

title:
KING GUEST ROOM TYPE 'G'

date: 10-14-91
job: 1691
file: 1691-A41
scale: 1/2"=1'-0"

sheet
A4.7
of 34