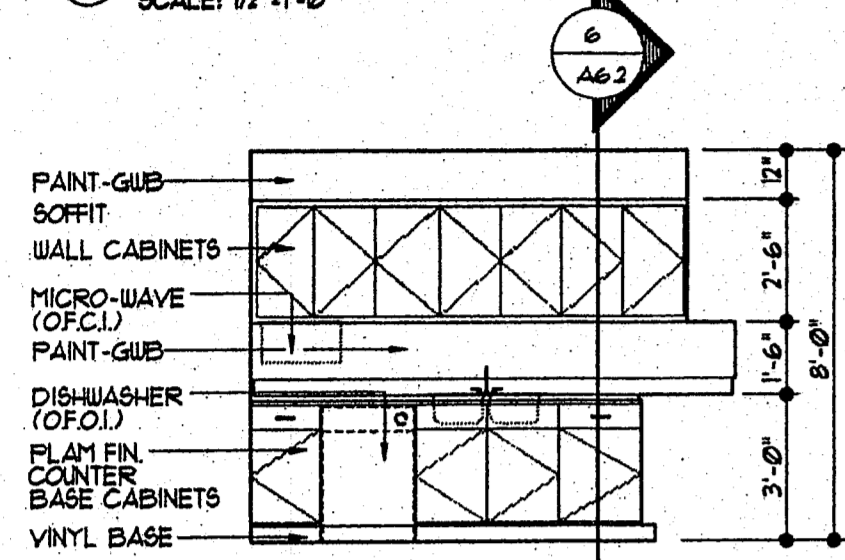
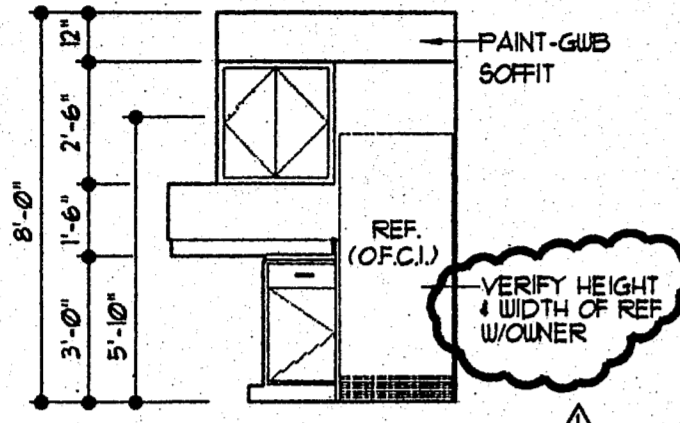


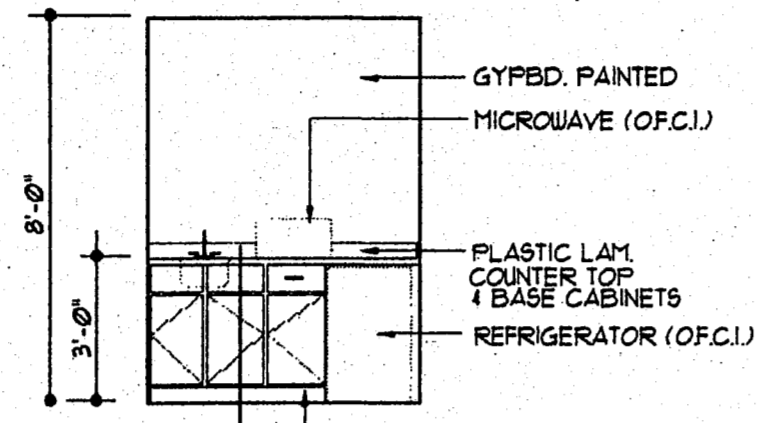
1 BREAKFAST BAR TOP PLAN  
SCALE: 1/2"=1'-0"



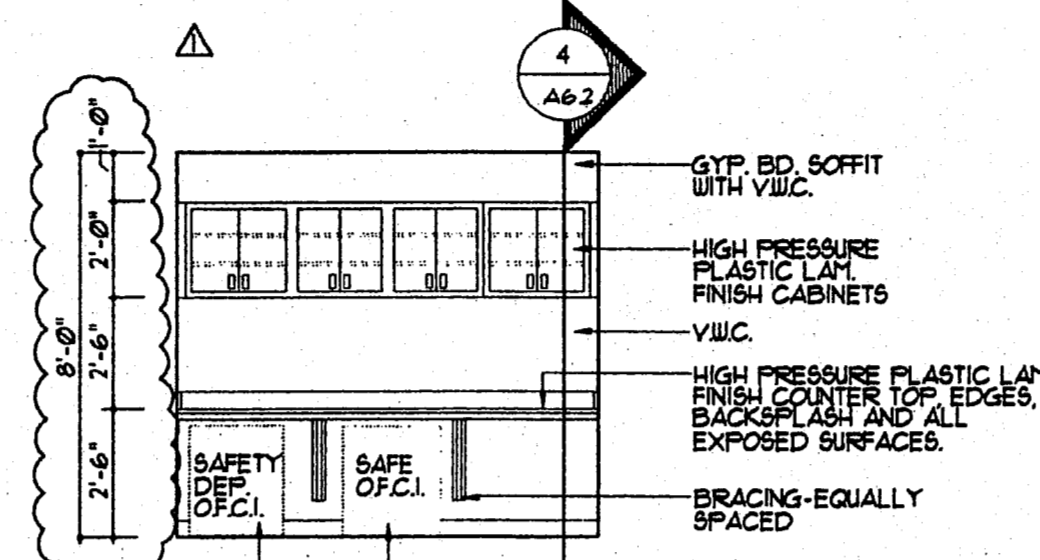
B PREP AREA ELEVATIONS  
NOTE: VERIFY ALL EQUIPMENT SIZES AND OPENINGS PRIOR TO FABRICATION



C



D

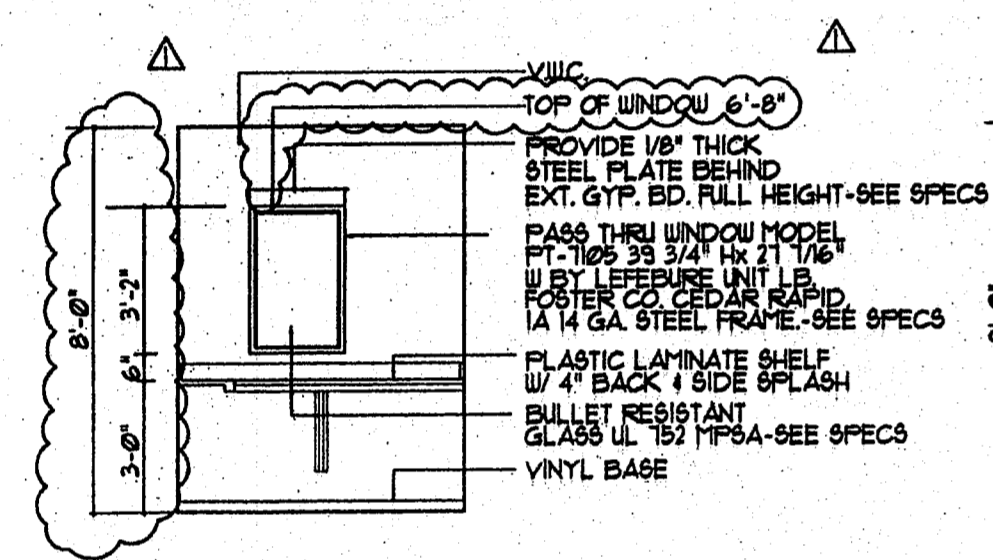


E

PREP AREA ELEVATIONS

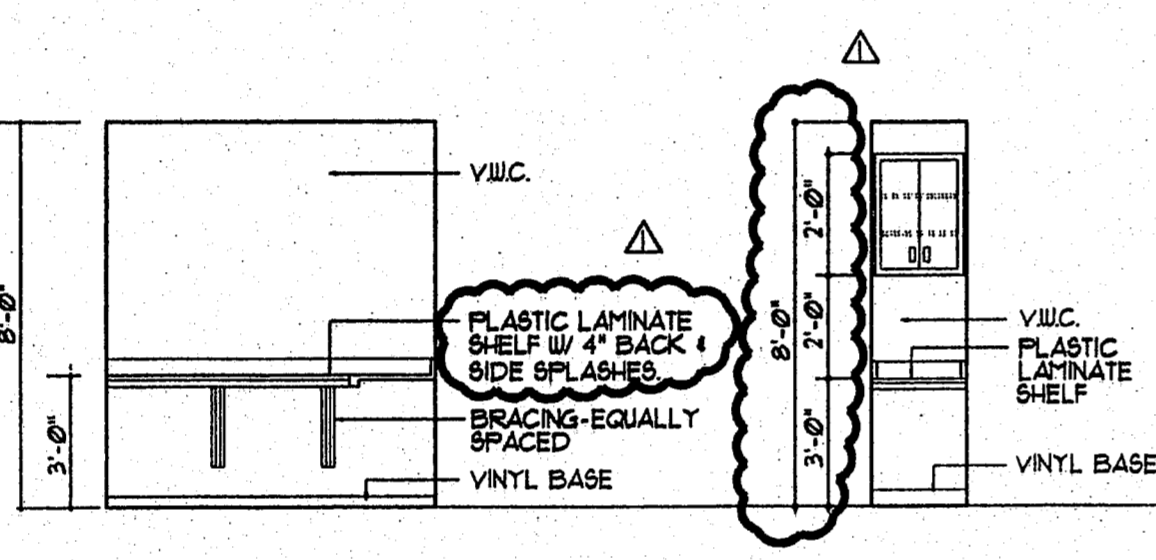
EMPLOYEE BREAKROOM

WORK AREA ELEVATIONS



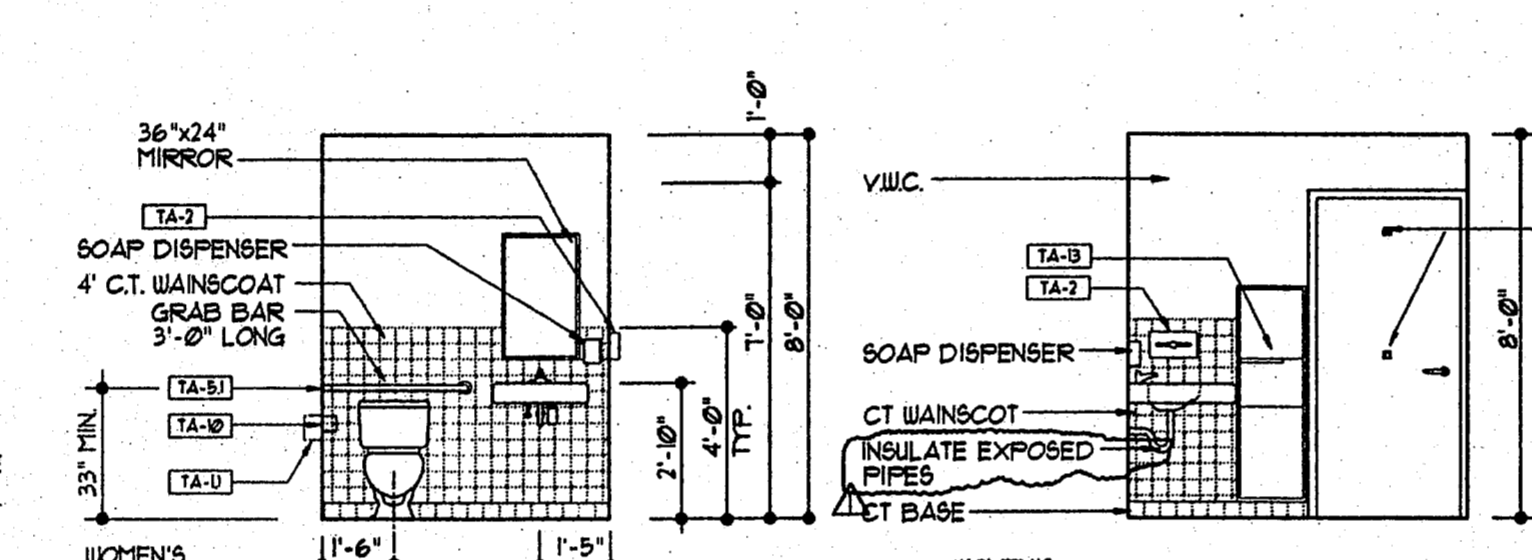
F

NIGHT REGISTRATION WINDOW



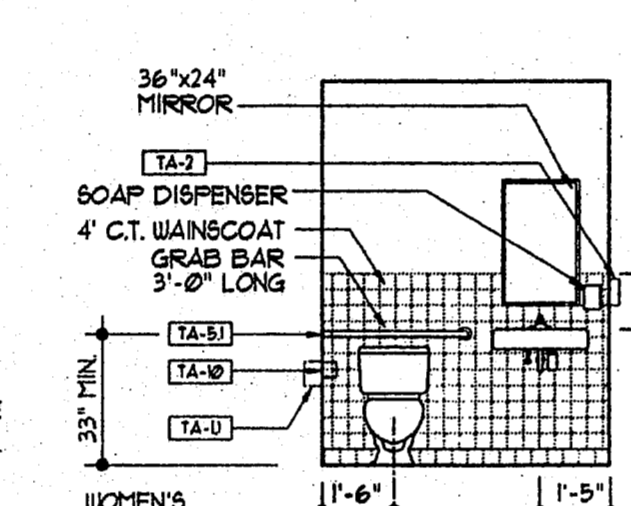
G

NIGHT REGISTRATION WORK AREA



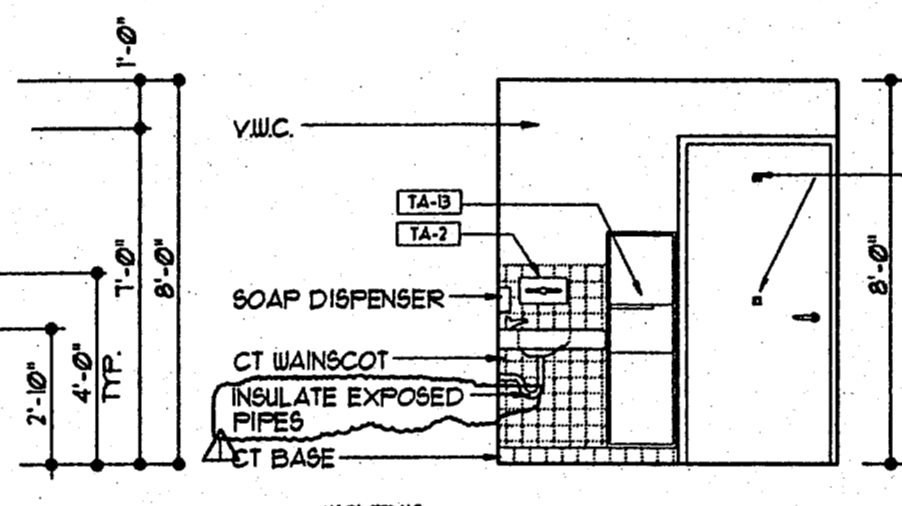
H

WORK AREA



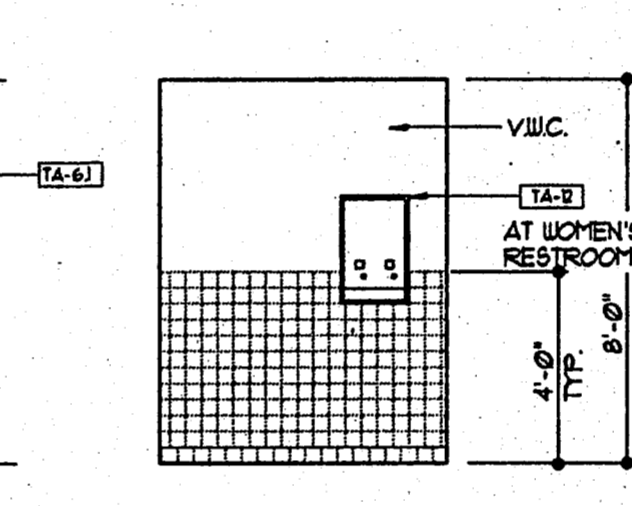
J

PUBLIC TOILET



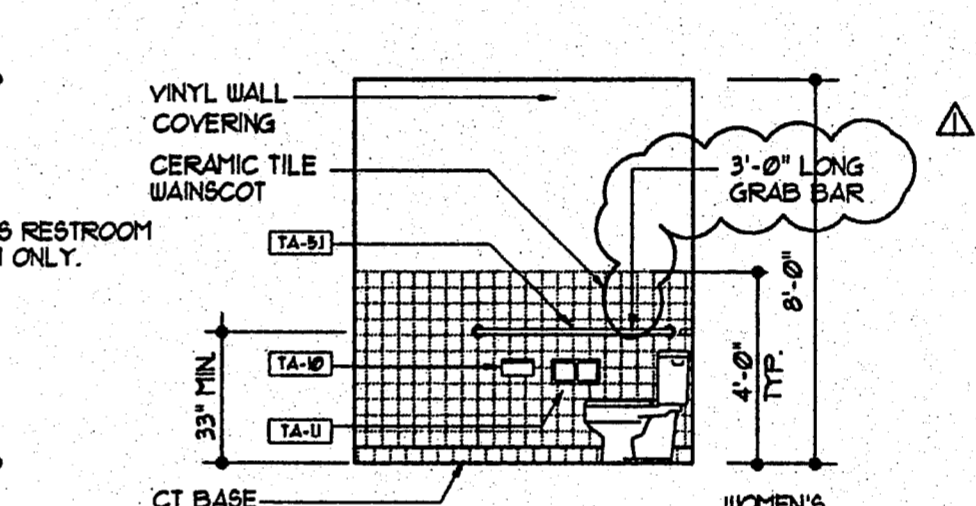
K

WOMEN'S RESTROOM 6M1 BUT REVERSED



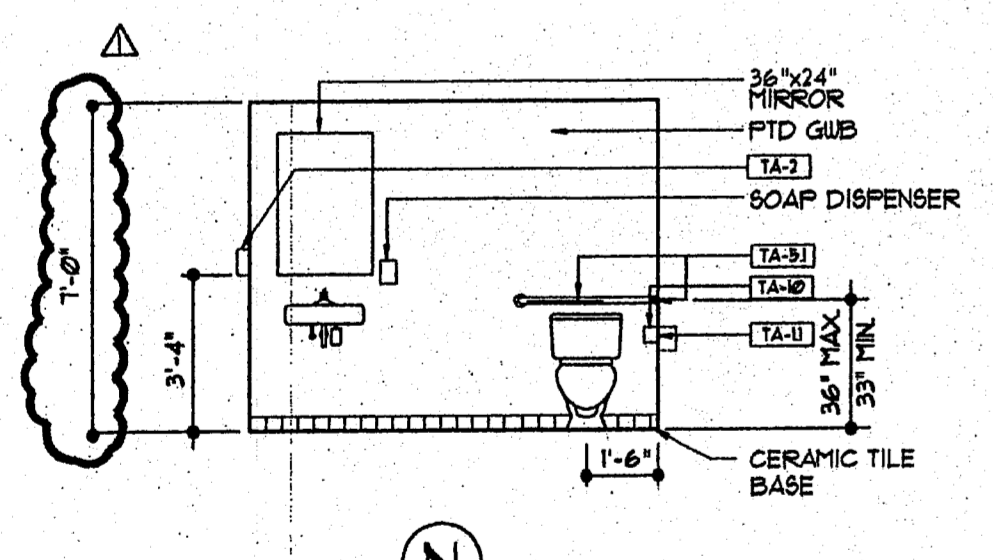
L

WOMEN'S RESTROOM 6M1 BUT REVERSED



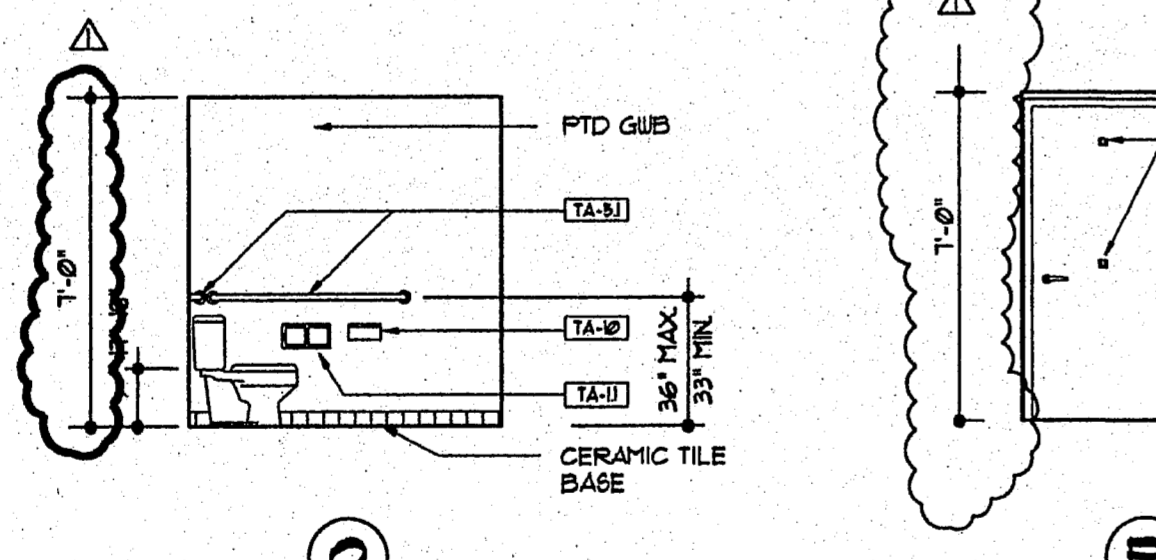
M

WOMEN'S RESTROOM 6M1 BUT REVERSED



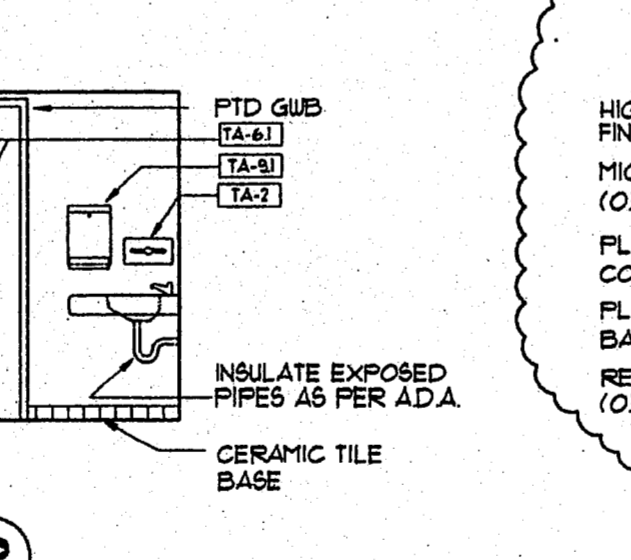
N

EMPLOYEE TOILET



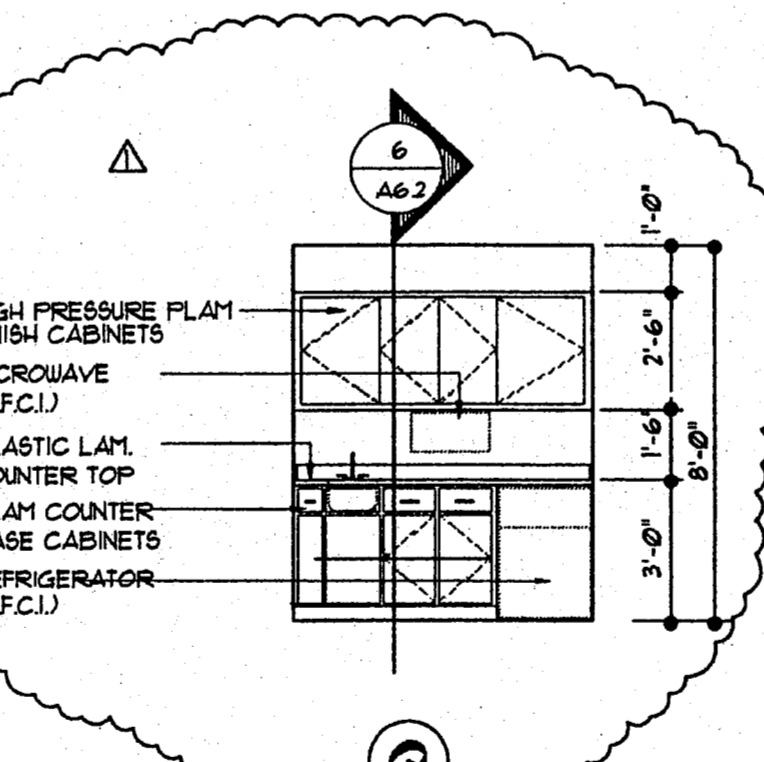
O

EMPLOYEE TOILET



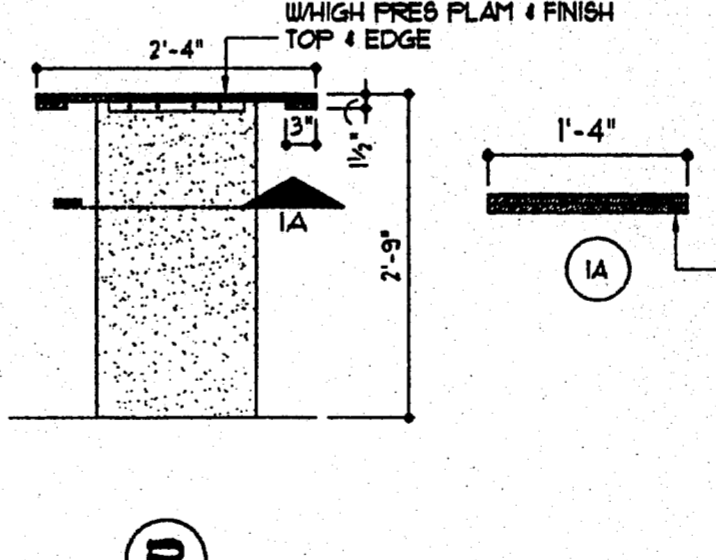
P

EMPLOYEE TOILET



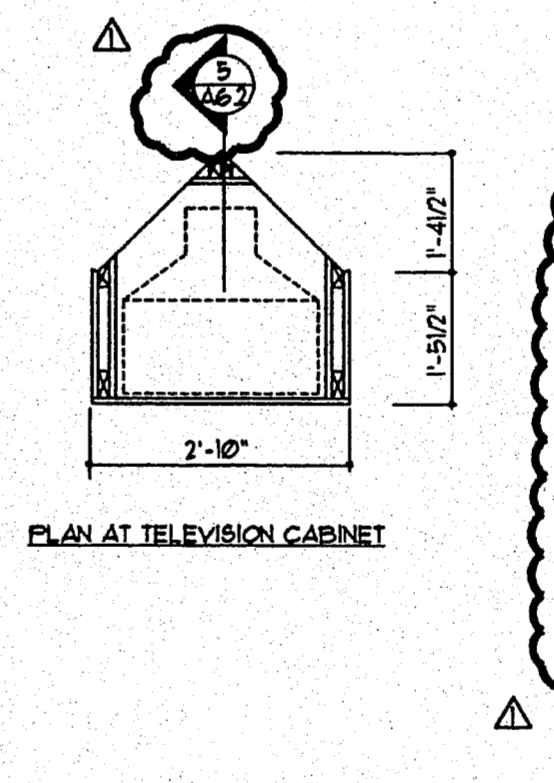
Q

"D" ROOM-SUITE TABLE  
SCALE: 1/2"=1'-0"



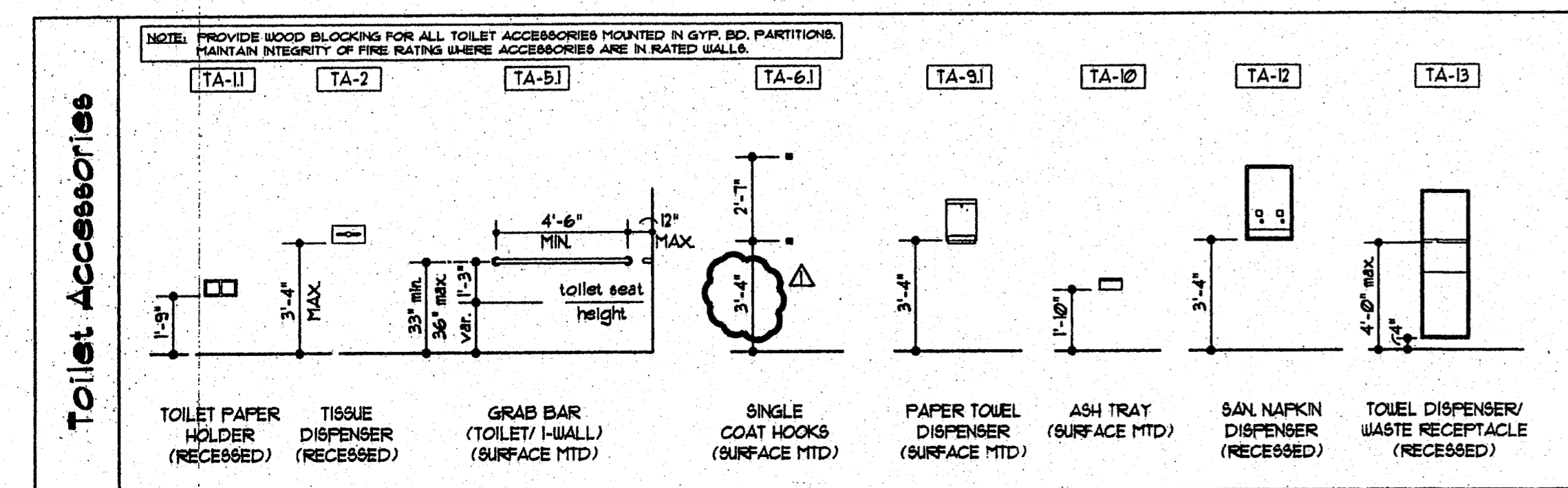
R

"D" ROOM-SUITE TABLE  
SCALE: 1/2"=1'-0"

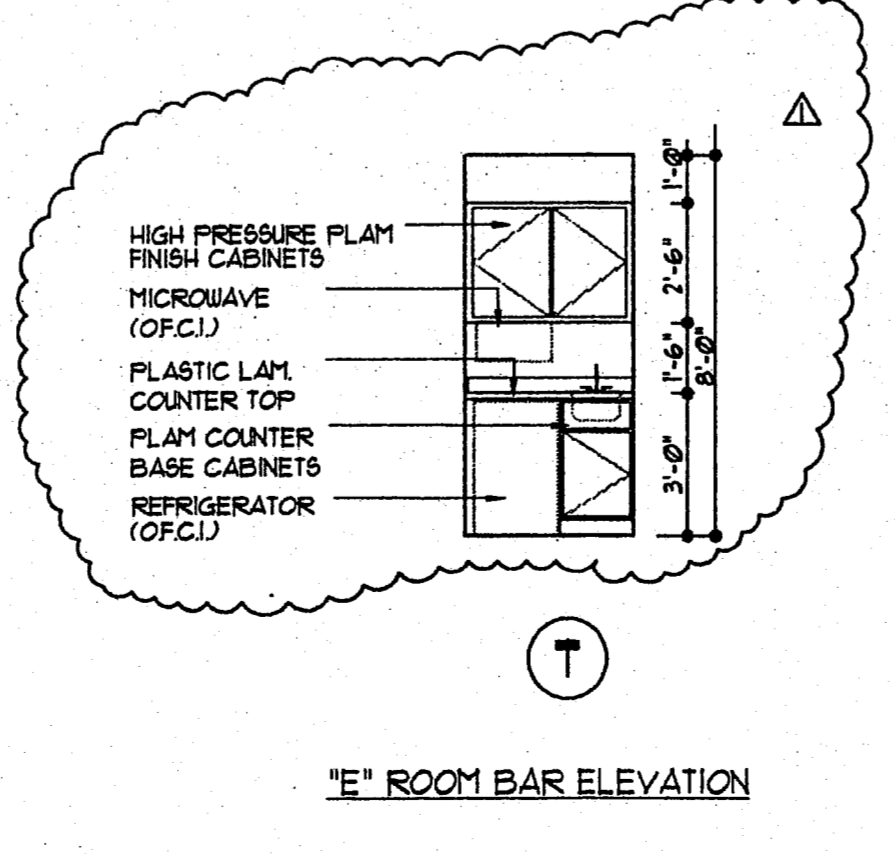


S

"BREAKFAST AREA-TELEVISION CABINET"



Toilet Accessories



"E" ROOM BAR ELEVATION

KEYED NOTES

1. PLASTIC LAMINATE FINISH - "WILSONART" D48-6 (THISTLE)
2. PLASTIC LAMINATE FINISH - "WILSONART" 1500N-6 (GREY)
3. BACK SPLASH
4. SIDE SPLASH (WHERE APPLICABLE)
5. NOT USED
6. VINYL BASE
7. CERAMIC TILE BASE (MATCH BASE TILE IN LOBBY AREA)
8. NOT USED
9. INSIDE OF CABINET TO BE PAINTED FLAT BLACK.
10. NOT USED
11. ADJUSTABLE SHELVES
12. NOT USED
13. NOT USED
14. LINE OF WALL BEYOND
15. LINE OF TOE KICK BELOW
16. NOT USED
17. NOT USED
18. NOT USED
19. NOT USED
20. SUPPORT AT 24" O.C.
21. BRIGHT BRASS "D" PULL
22. DOOR

GENERAL NOTES

DIMENSIONS SHOWN ON THIS SHEET FOR HEIGHT OF ELECTRICAL, TELEVISION, OR TELEPHONE OUTLETS ARE TO BE FOLLOWED WITH NO ALLOWANCES. UNDER NO CIRCUMSTANCES SHALL ANY OUTLETS OR FIXTURES IN THE DEMISING WALLS BE PLACED BACK-TO-BACK.

**LLW, Inc.**  
803 SOUTH MT. MORIAH, STE. 100B  
MEMPHIS, TENNESSEE 38117-5343  
901-683-7755/FAX 901-683-2385  
LEONARD MESSINA, ARCHITECT

revisions:  
REVIEW 10-14-91

seal:

**Sleep Inn**  
Jackson, Mississippi

title:  
INTERIOR ELEVATIONS

date: 10-14-91  
job: 1691  
file: 1691-A51  
scale: 1/4" = 1'-0"

sheet  
**A5.1**  
of 34