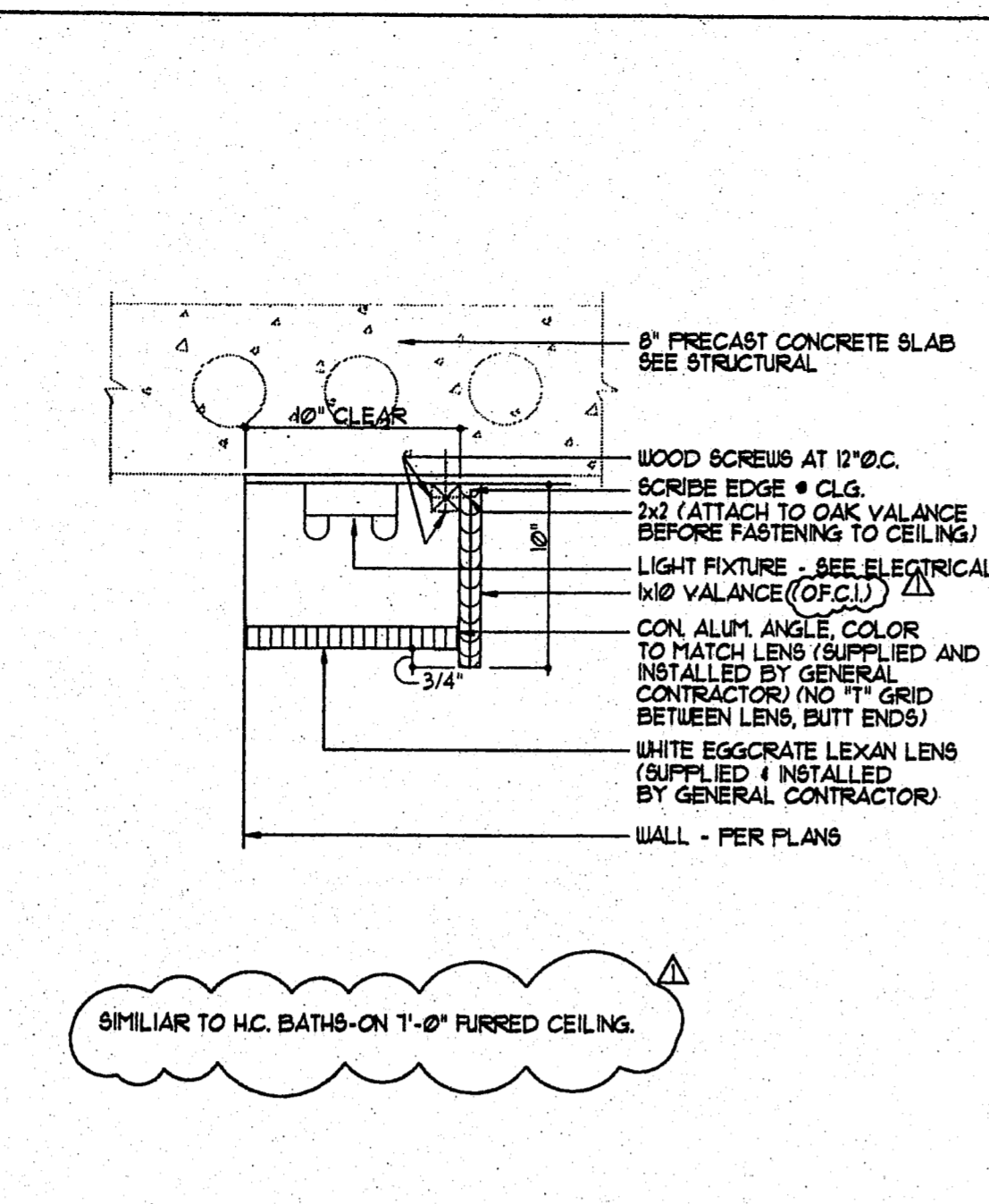
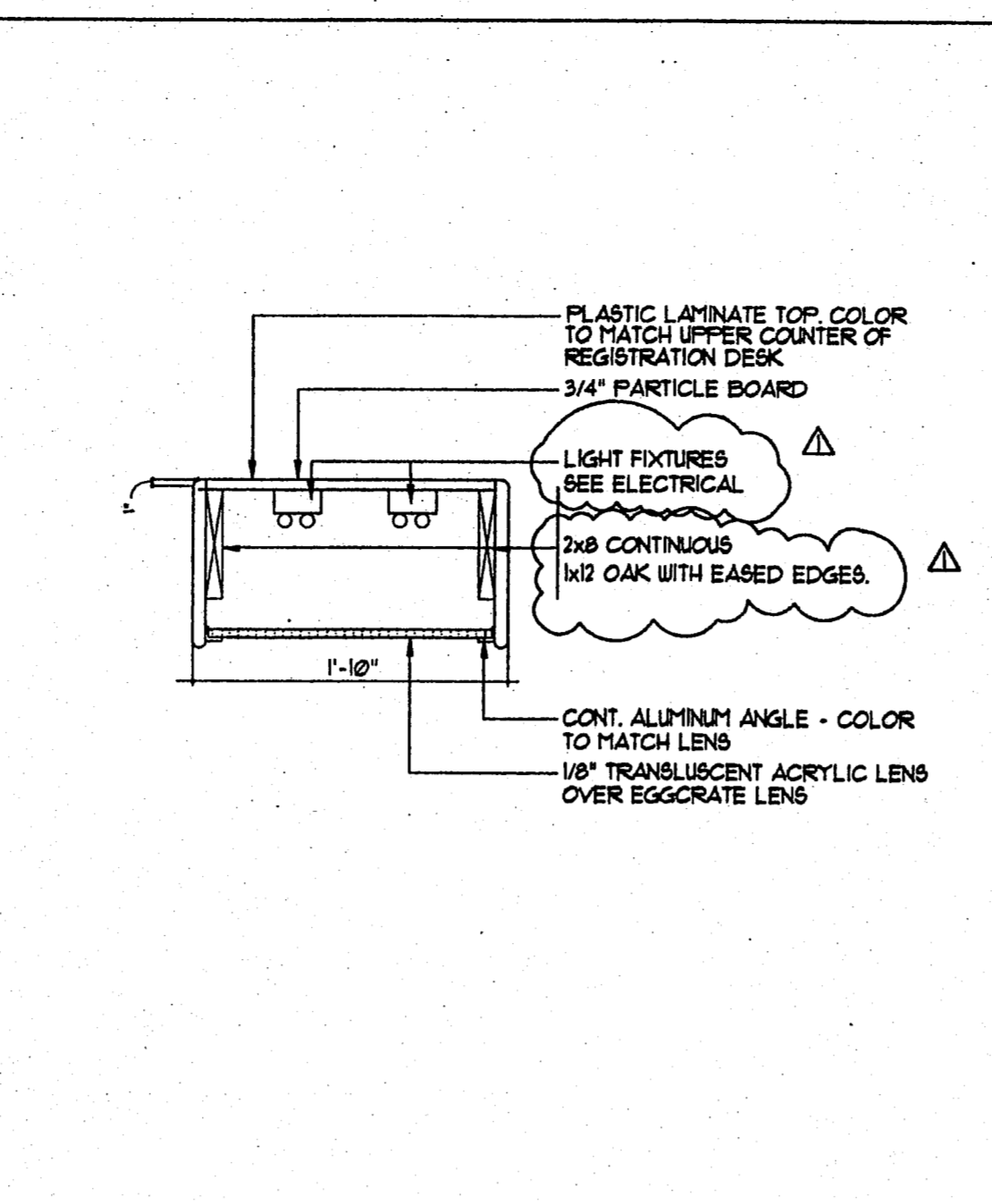


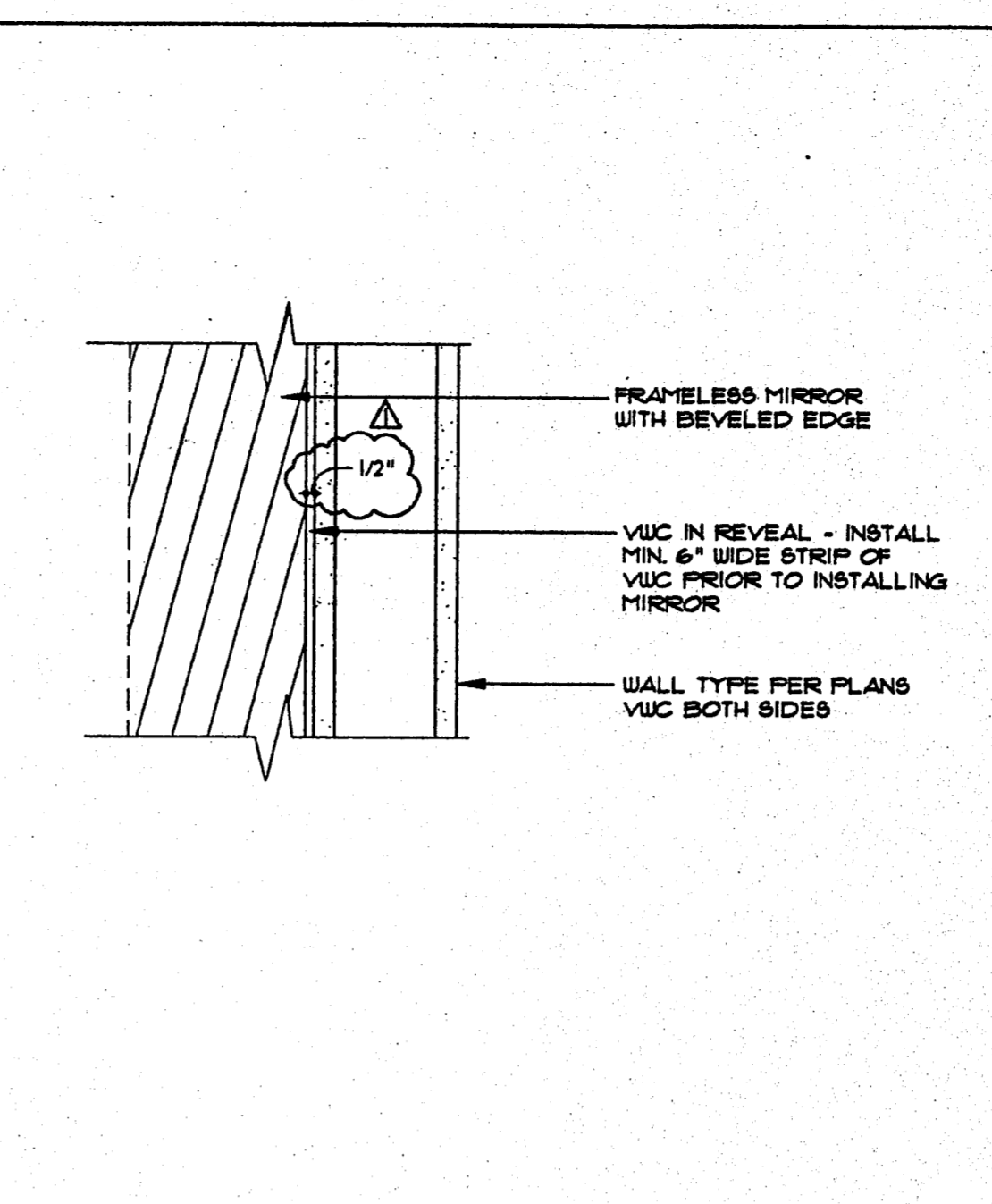
1 Section Detail Typical Linen Shelving SCALE: 3/4" = 1'-0"



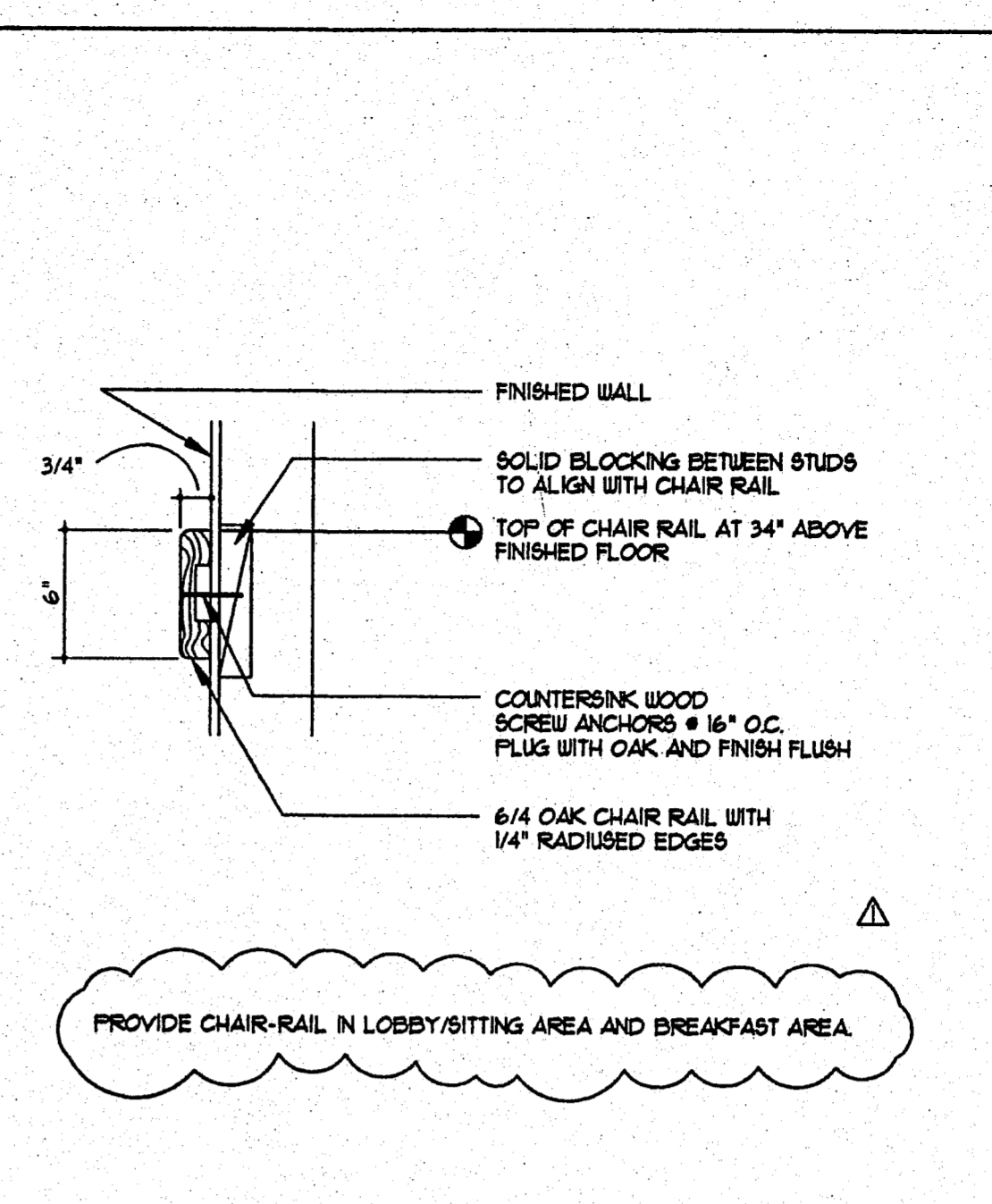
2 Section Detail Light Valance SCALE: 1-1/2" = 1'-0"



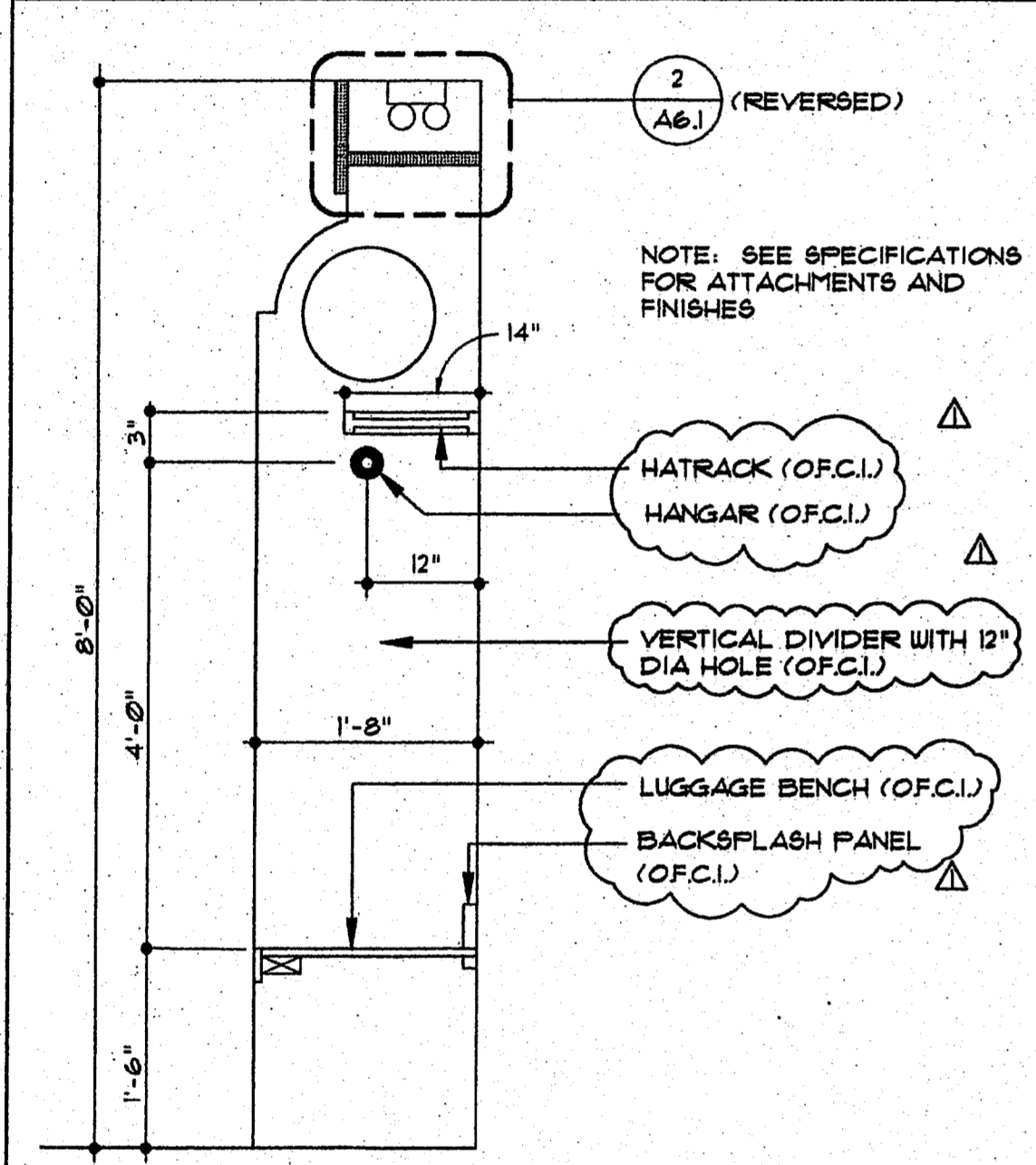
3 Section Detail Light Fixture over Register Deck SCALE: 1" = 1'-0"



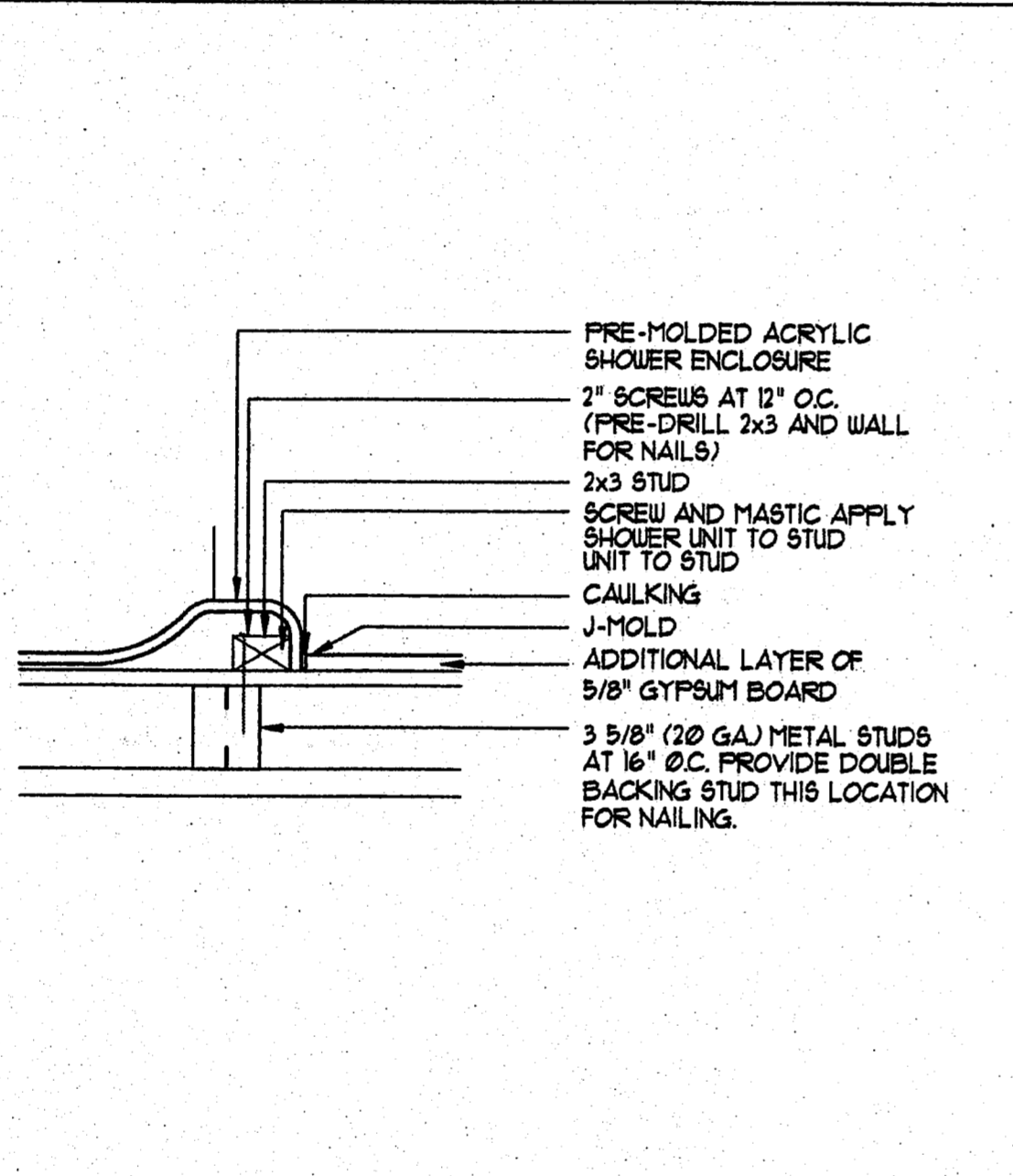
4 Section Detail Reveal @ Mirror SCALE: 1 1/2" = 1'-0"



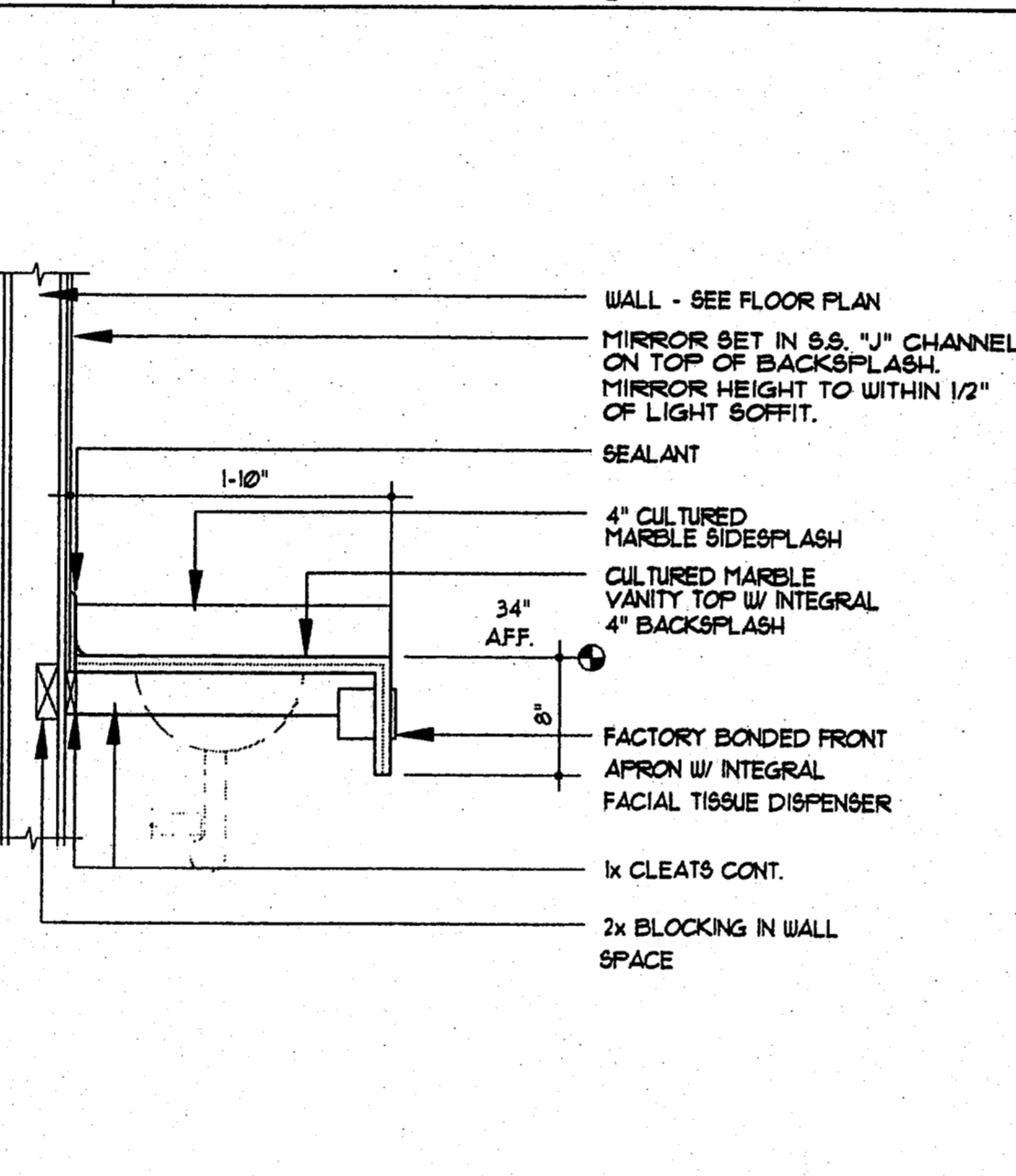
5 Section Detail Chair Rail SCALE: 1 1/2" = 1'-0"



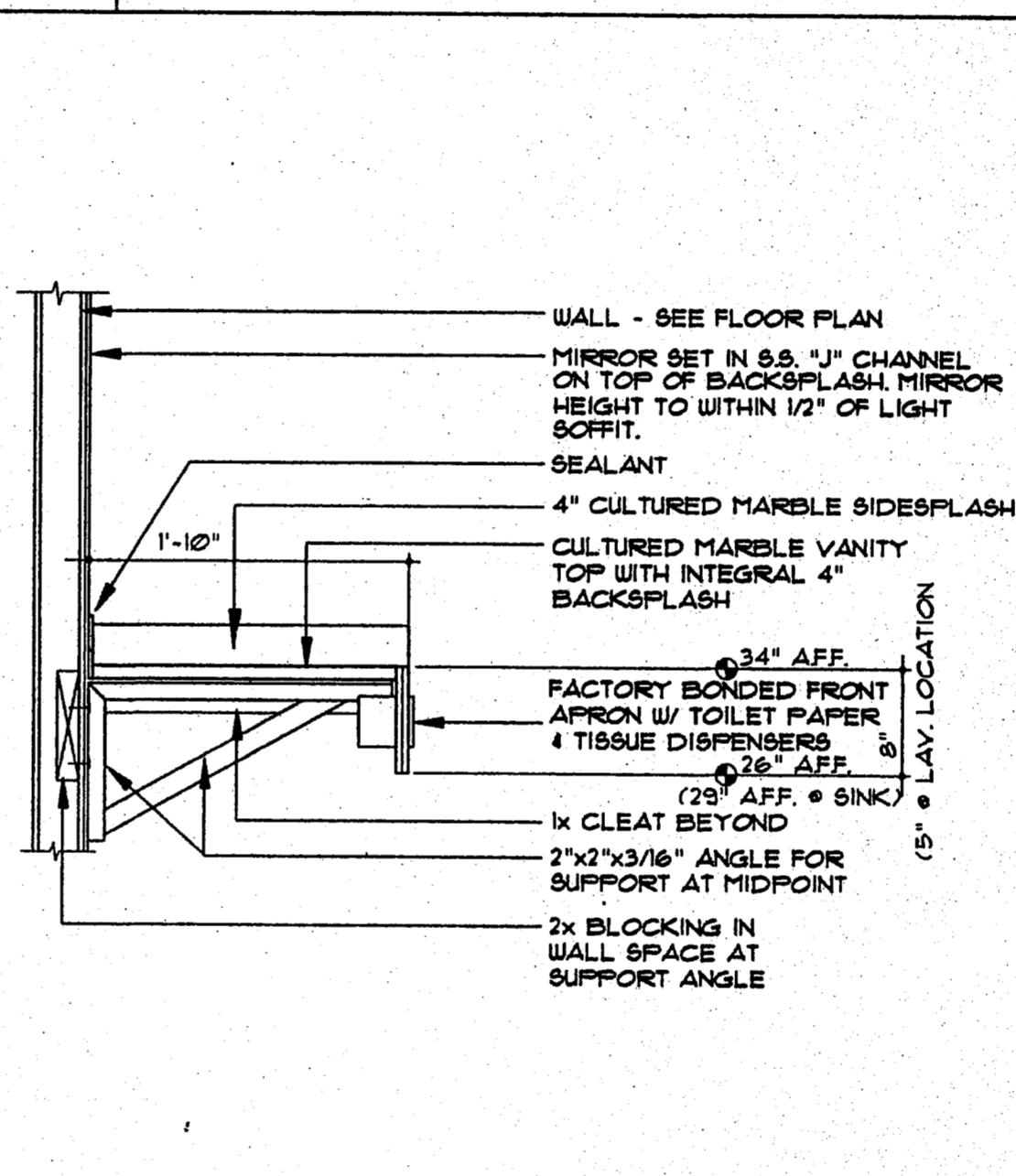
6 Section Detail Section @ Built-in Closet SCALE: 3/4" = 1'-0"



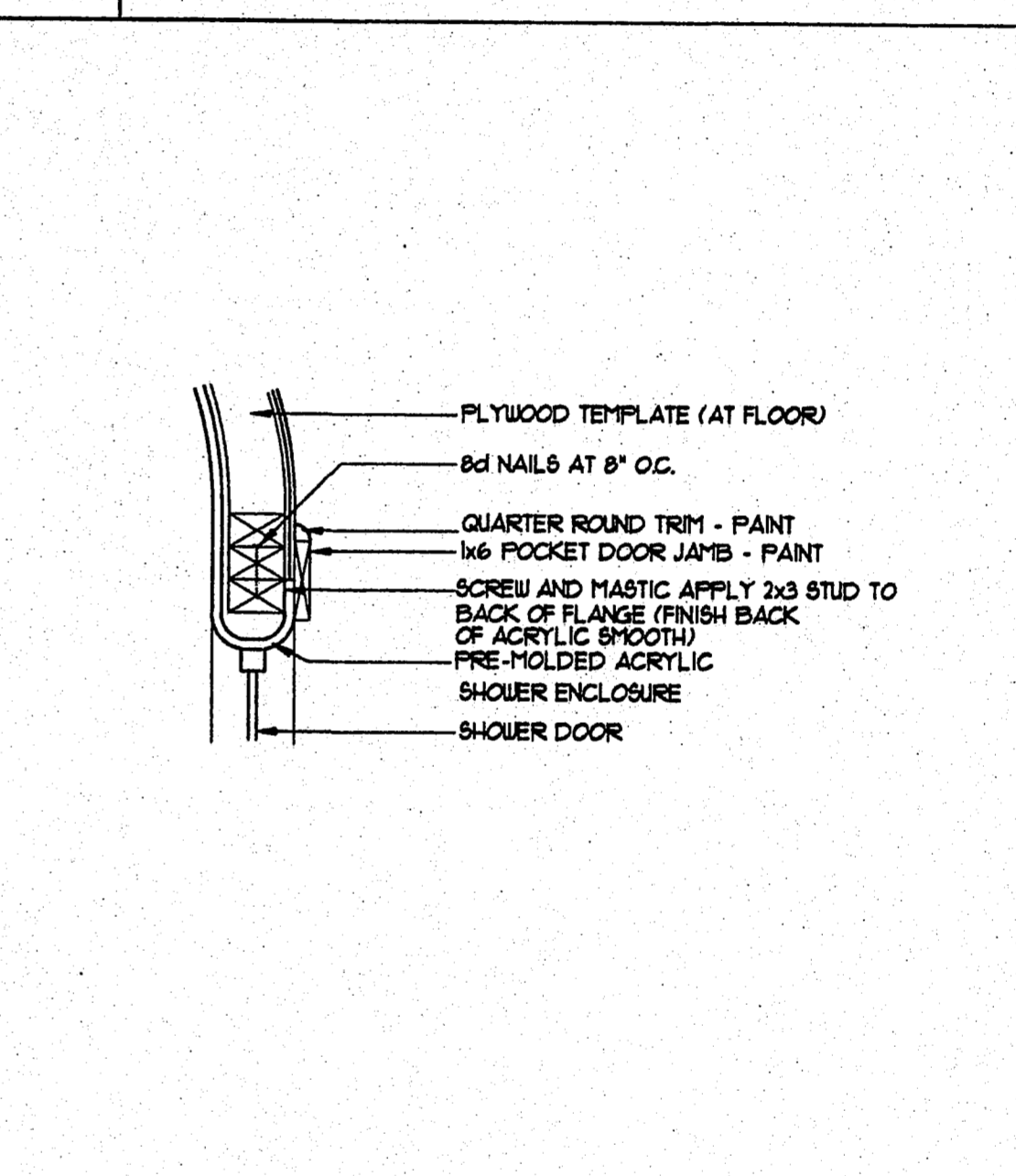
7 Section Detail Shower Enclosure at Wall SCALE: 1 1/2" = 1'-0"



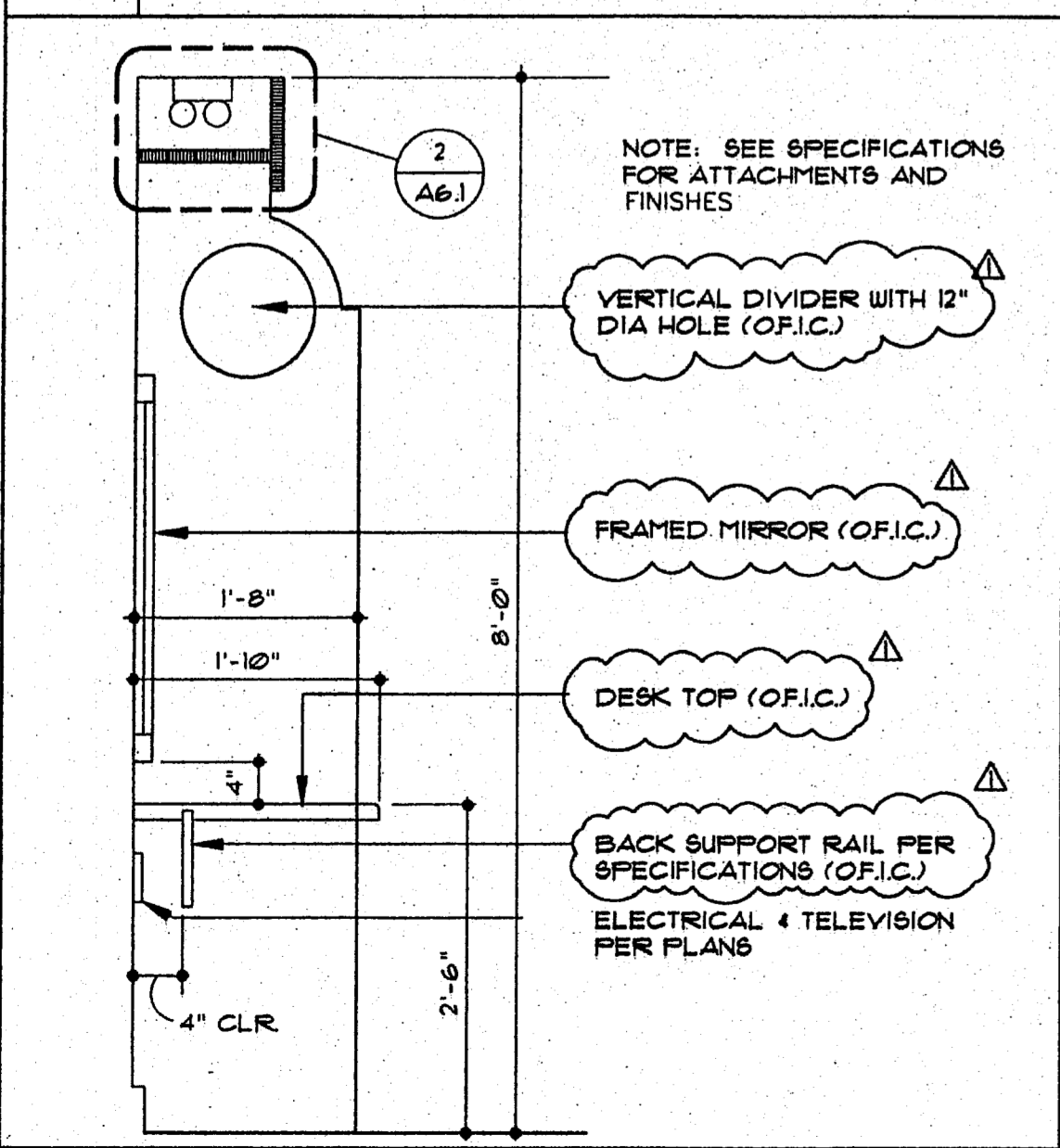
8 Section Detail Typical Guestroom Vanity SCALE: 1" = 1'-0"



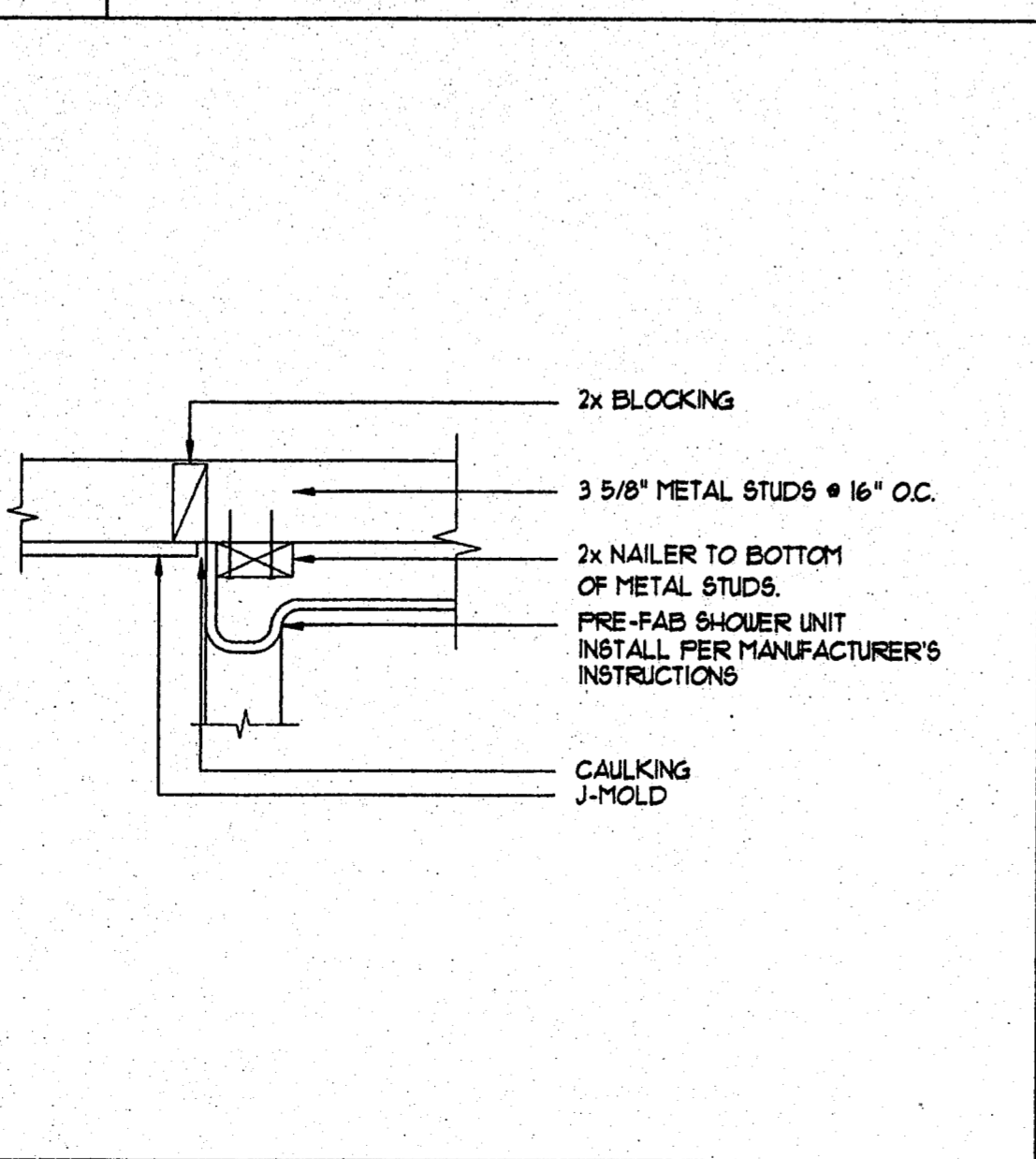
9 Section Detail Handicap Room Vanity SCALE: 1" = 1'-0"



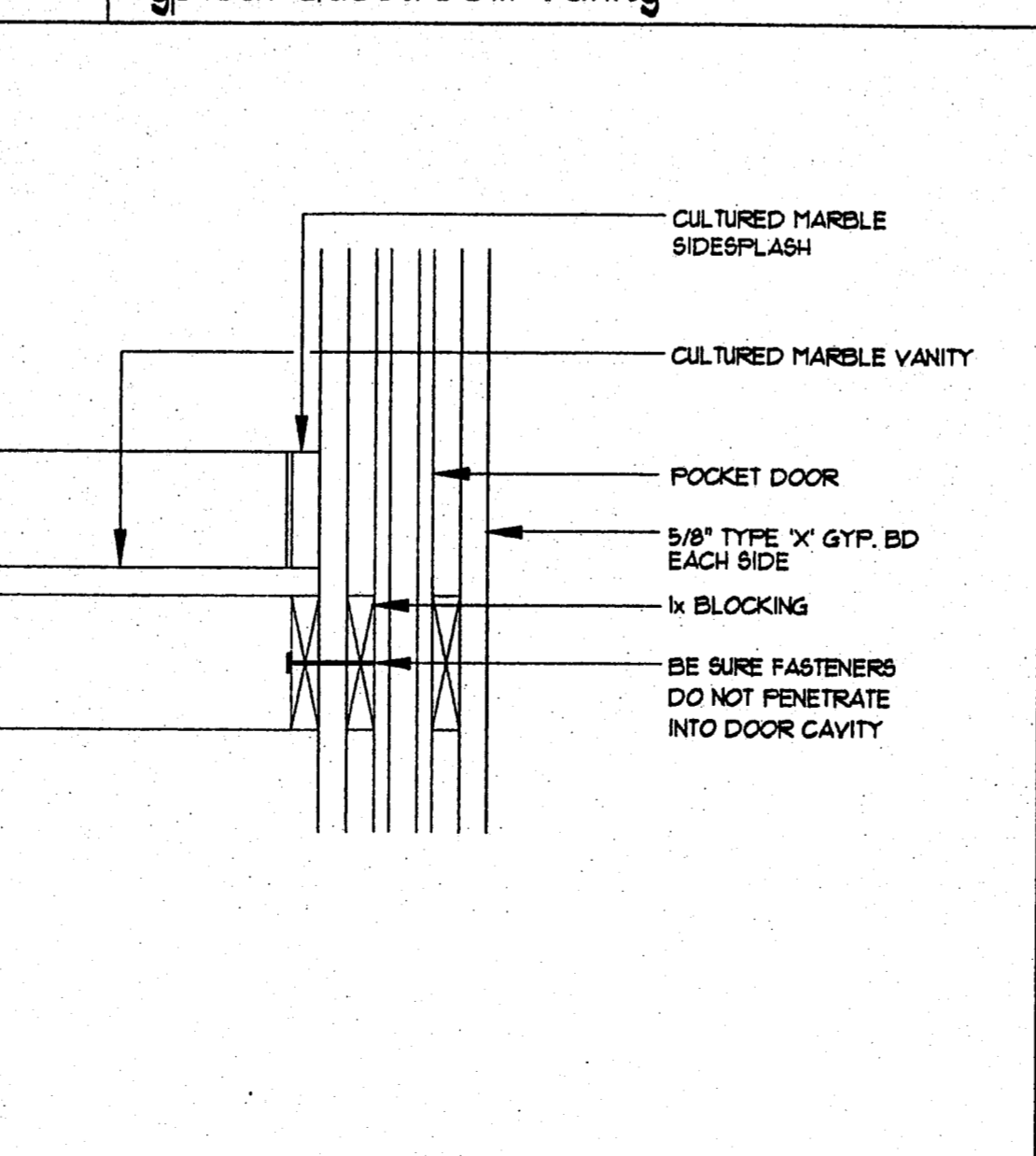
10 Section Detail Pocket Door Jamb @ Shower Wall SCALE: 1 1/2" = 1'-0"



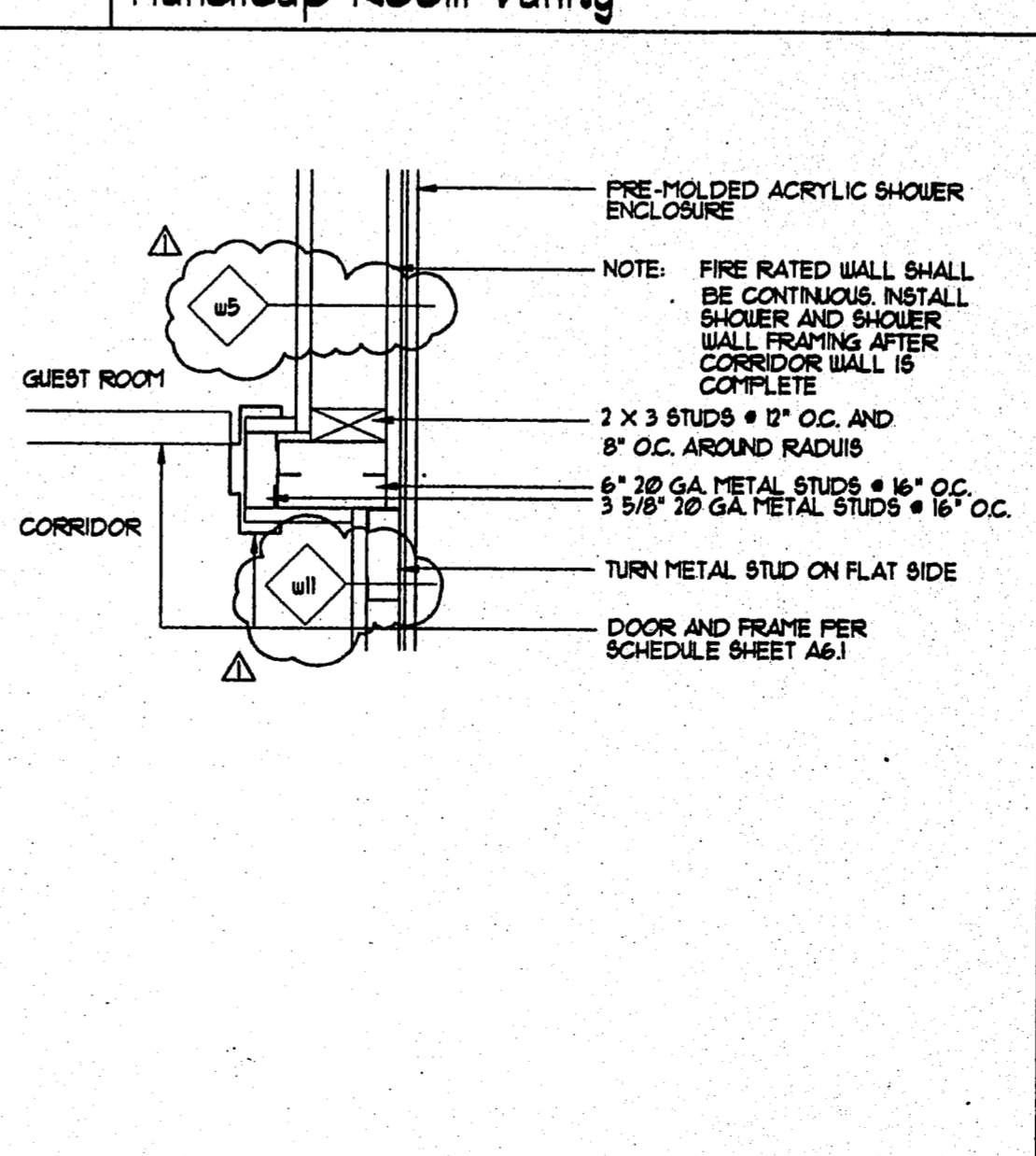
11 Section Detail Section @ Built-in Desk SCALE: 3/4" = 1'-0"



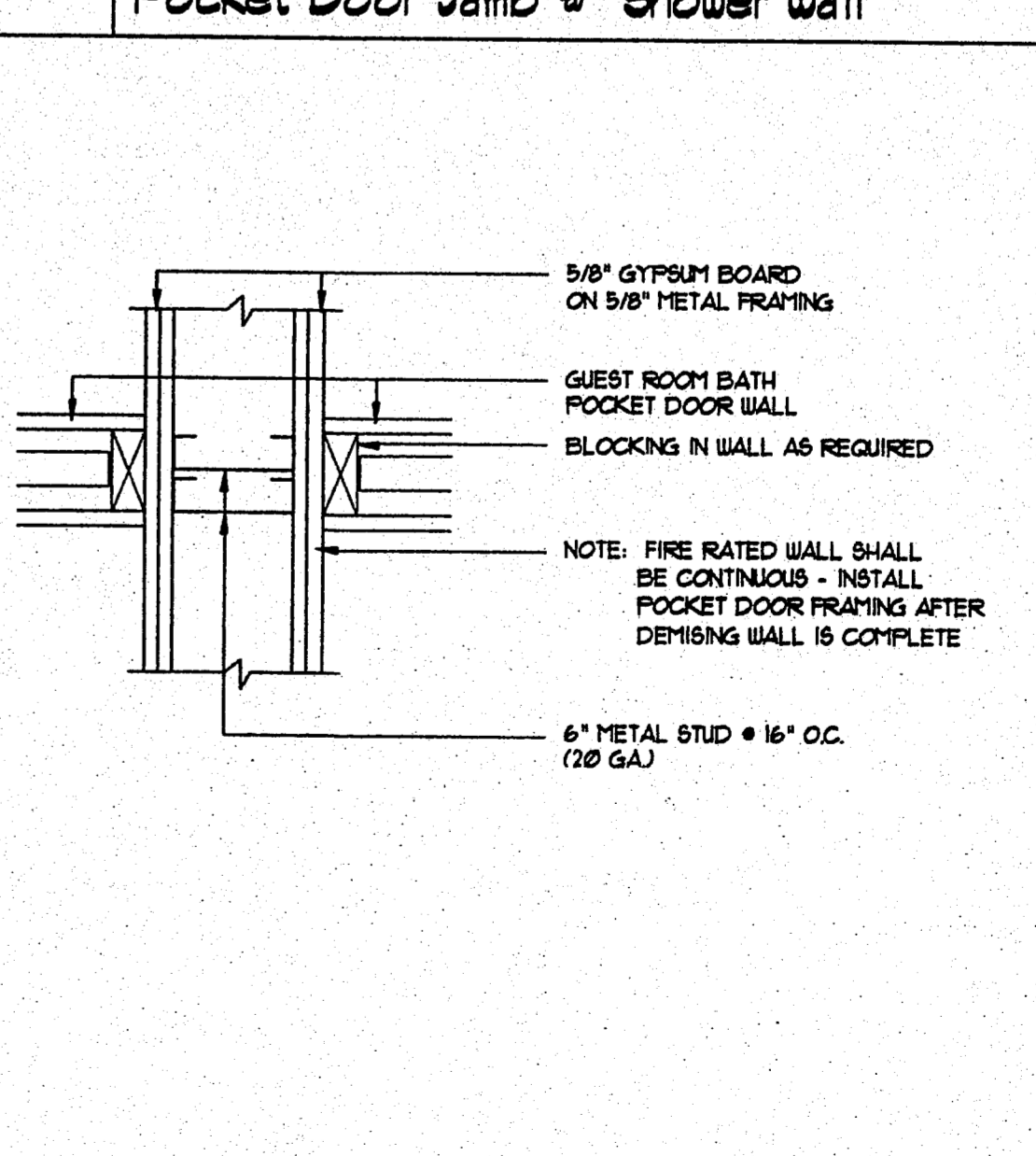
12 Section Detail Head @ Shower Entry SCALE: 1 1/2" = 1'-0"



13 Section Detail Vanity @ Pocket Door Wall SCALE: 3" = 1'-0"



14 Section Detail Guest Room Shower @ Entry Door Jamb SCALE: 1 1/2" = 1'-0"



15 Section Detail Pocket Door Wall @ Demising Wall SCALE: 1 1/2" = 1'-0"

LLW, Inc.
 803 SOUTH MT. MORIAH, SITE 100B
 MEMPHIS, TENNESSEE 3817-5343
 901-683-7757/FAX 901-683-2385
 LEONARD MESSINA, ARCHITECT

▲ revisions:
 ▲ REVIEW 10-14-91

▲ seal:

Sleep Inn
 Jackson, Mississippi

▲ title:
 INTERIOR DETAILS

▲ date: 4-29-91
 ▲ job: 1691
 ▲ file: 1691-A61
 ▲ scale: A5 NOTED

sheet
A6.1
 of 10