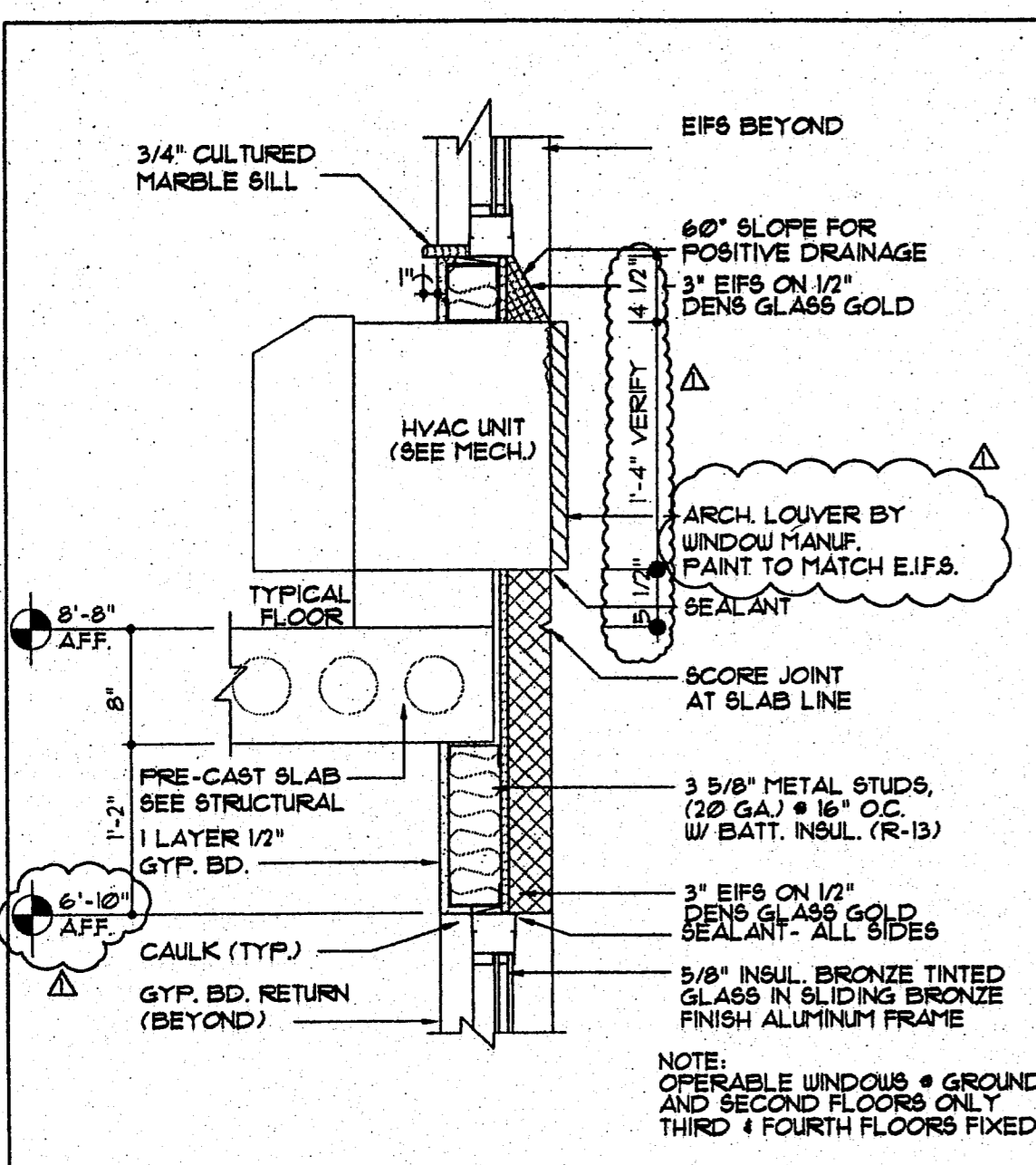


revisions:  
 REVIEW 10-14-91

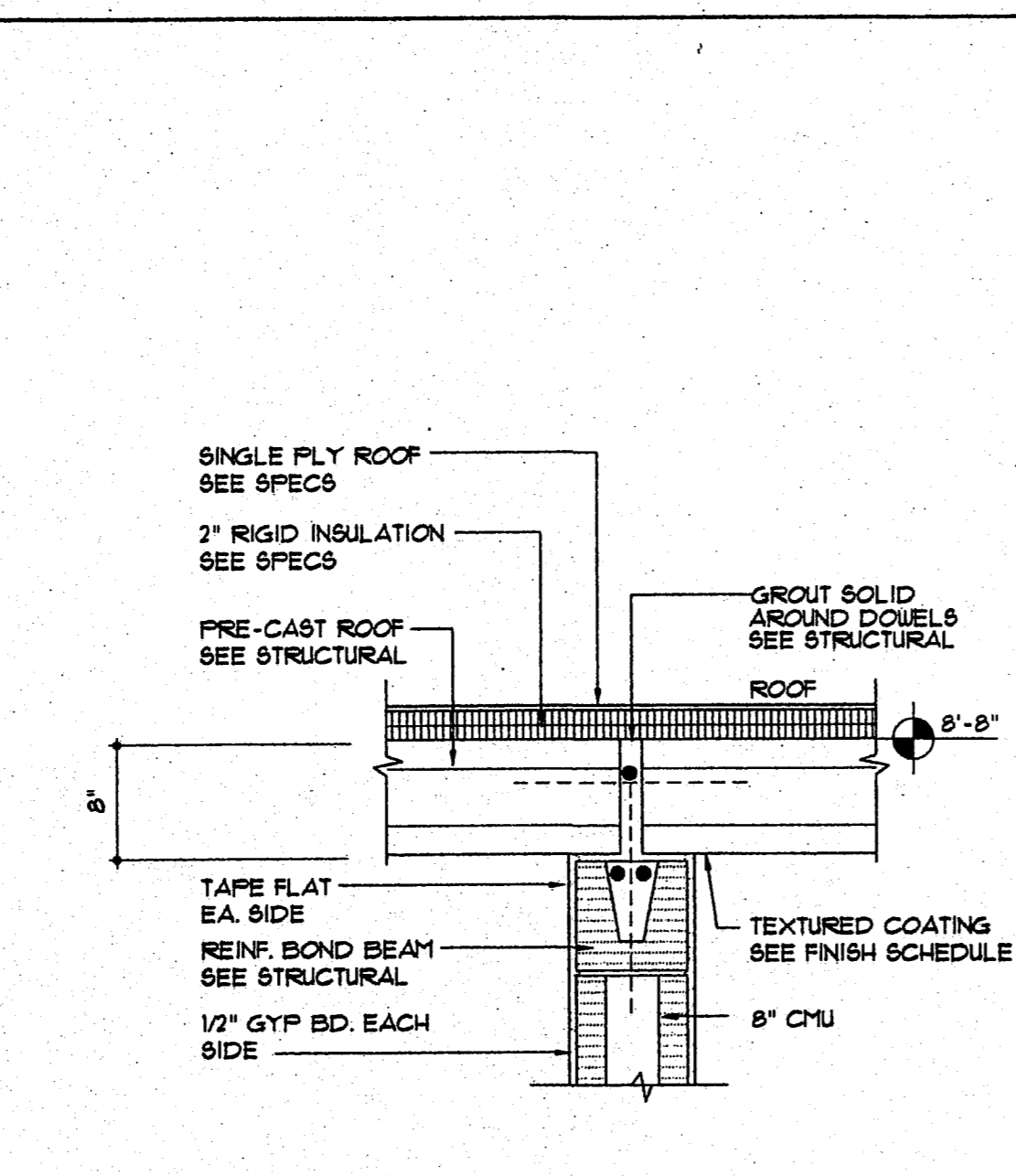
seal:

title:  
 WALL SECTIONS

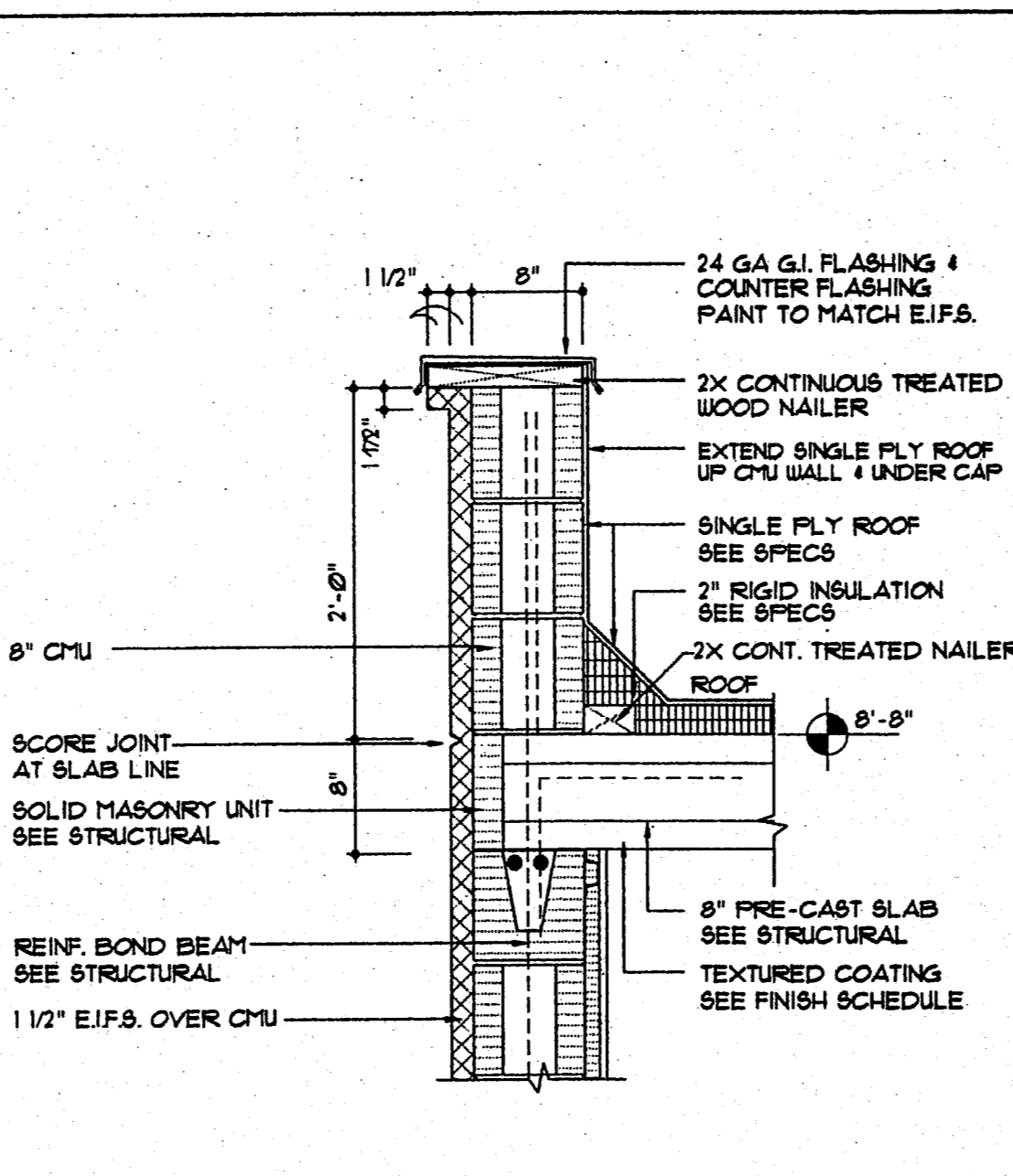
date: 10-14-91  
 job: 1691  
 file: 1691-A73  
 scale: AS NOTED



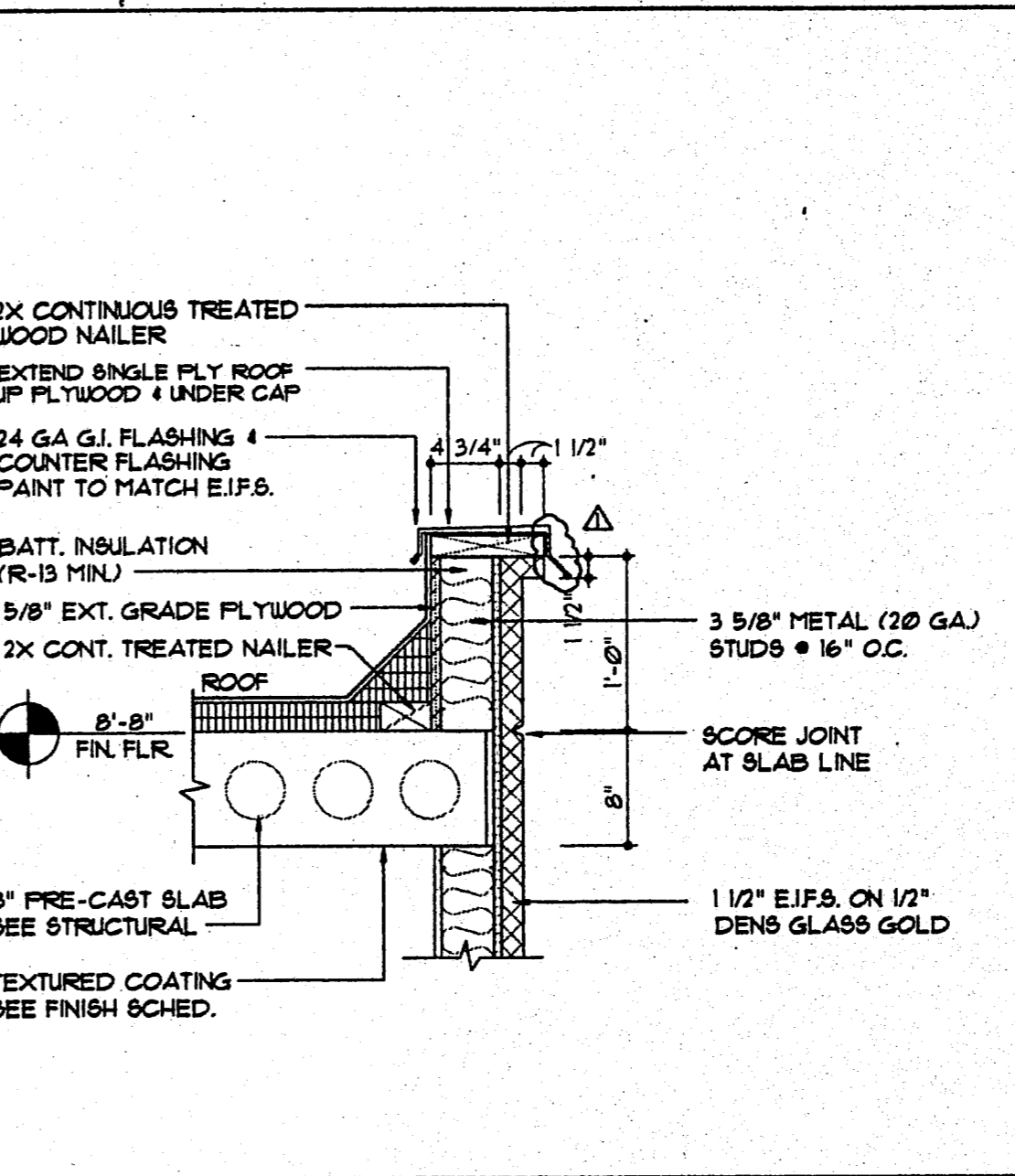
1 Section Detail Window Wall @ H.V.A/C @ Typical Floors SCALE: 1" = 1'-0"



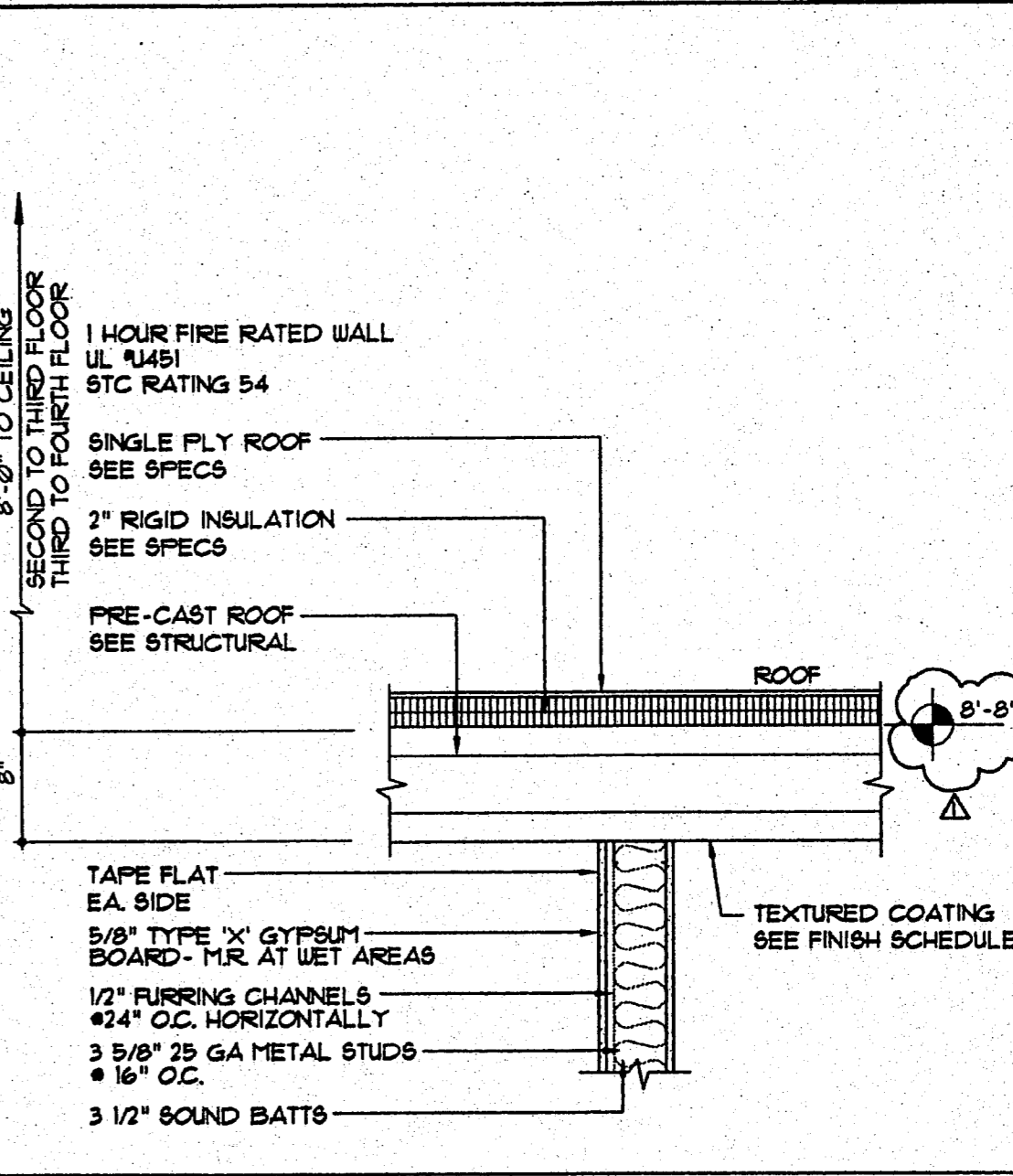
2 Section Detail Load Bearing Division Wall @ Fourth Floor SCALE: 1" = 1'-0"



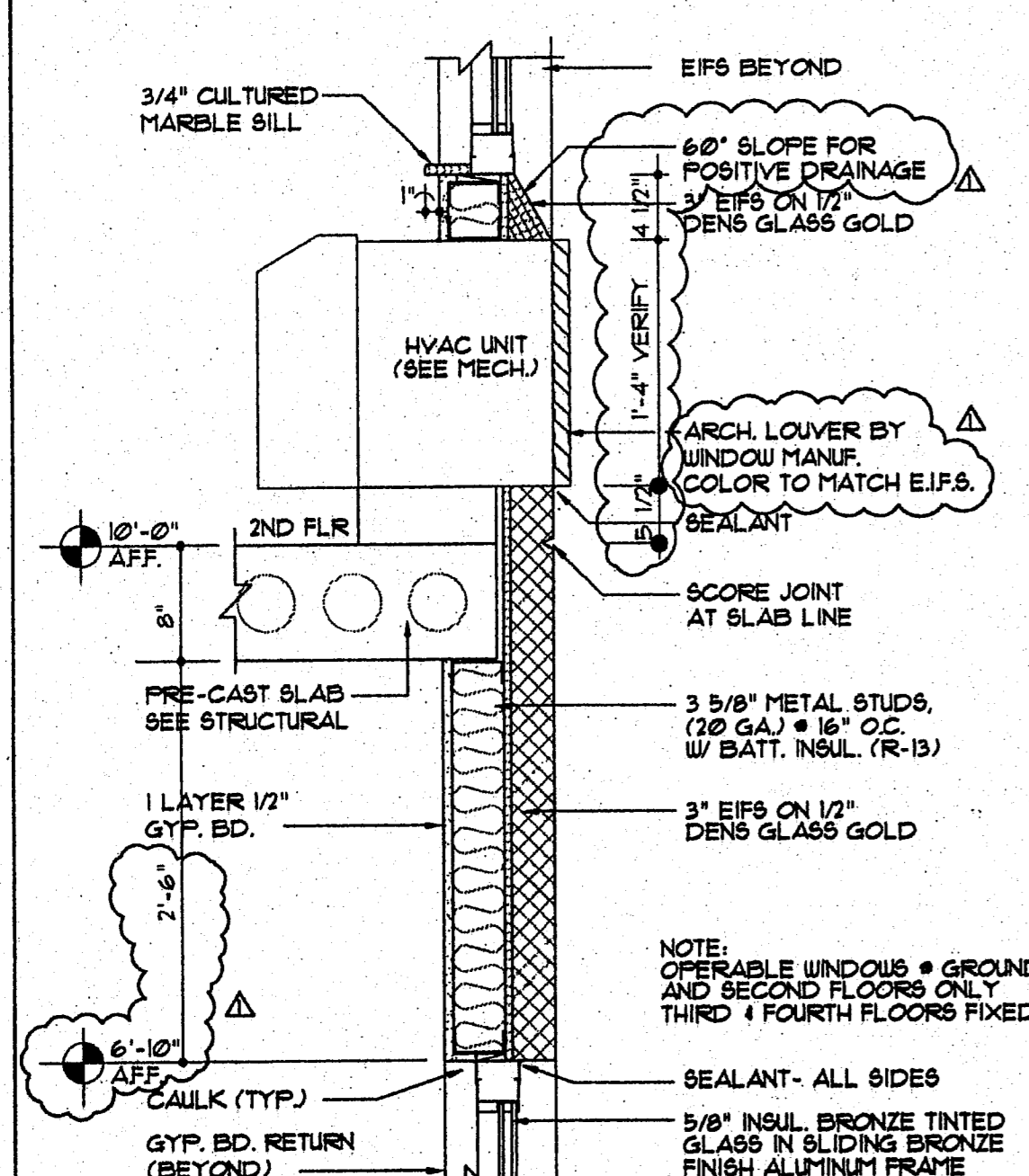
3 Section Detail End Wall @ Fourth Floor SCALE: 1" = 1'-0"



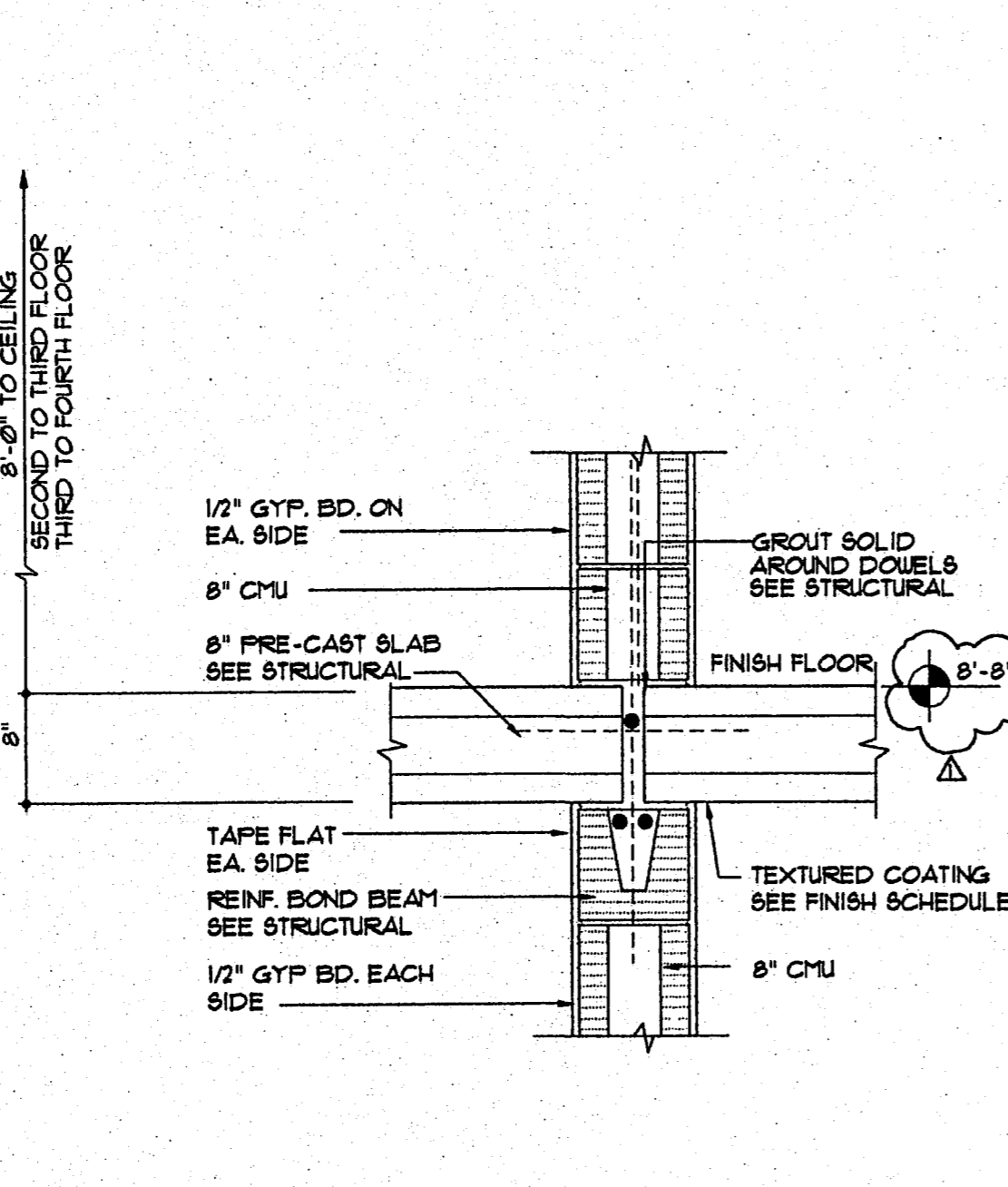
4 Section Detail Fourth Floor Stud Wall Section SCALE: 1" = 1'-0"



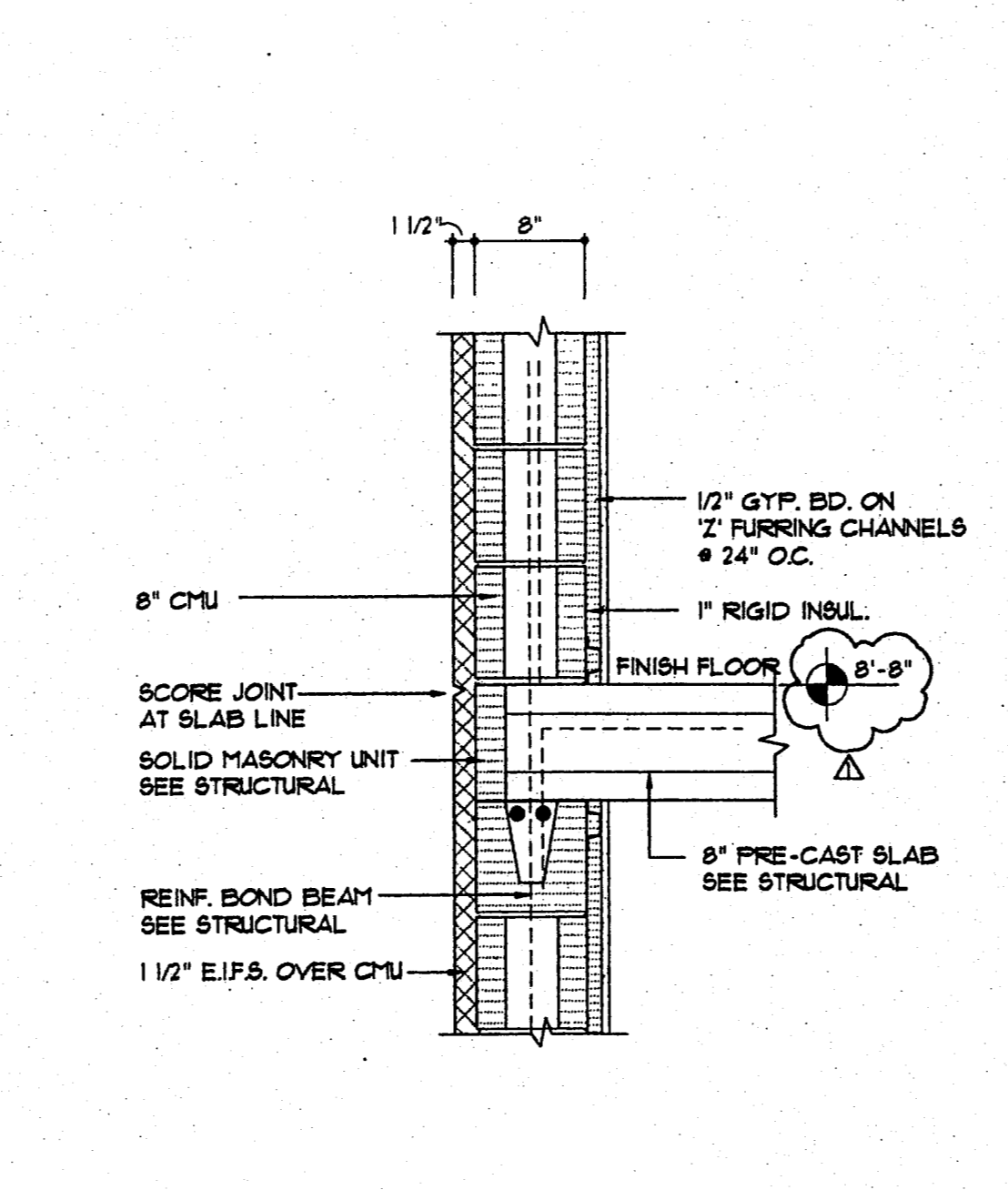
5 Section Detail Fourth Floor Stud Division Wall SCALE: 1" = 1'-0"



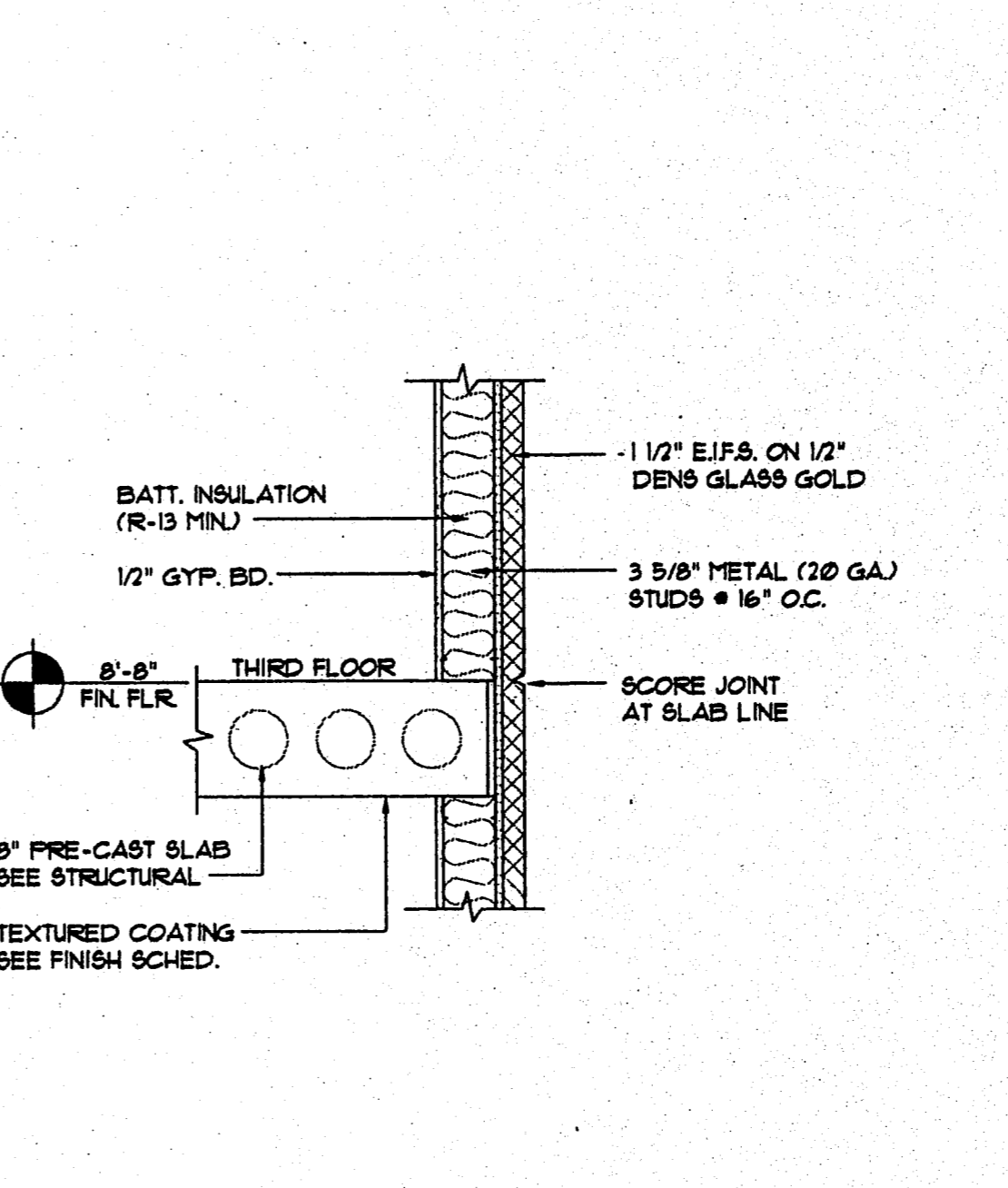
6 Section Detail Window Wall @ H.V.A/C @ Gnd to 2nd Floor SCALE: 1" = 1'-0"



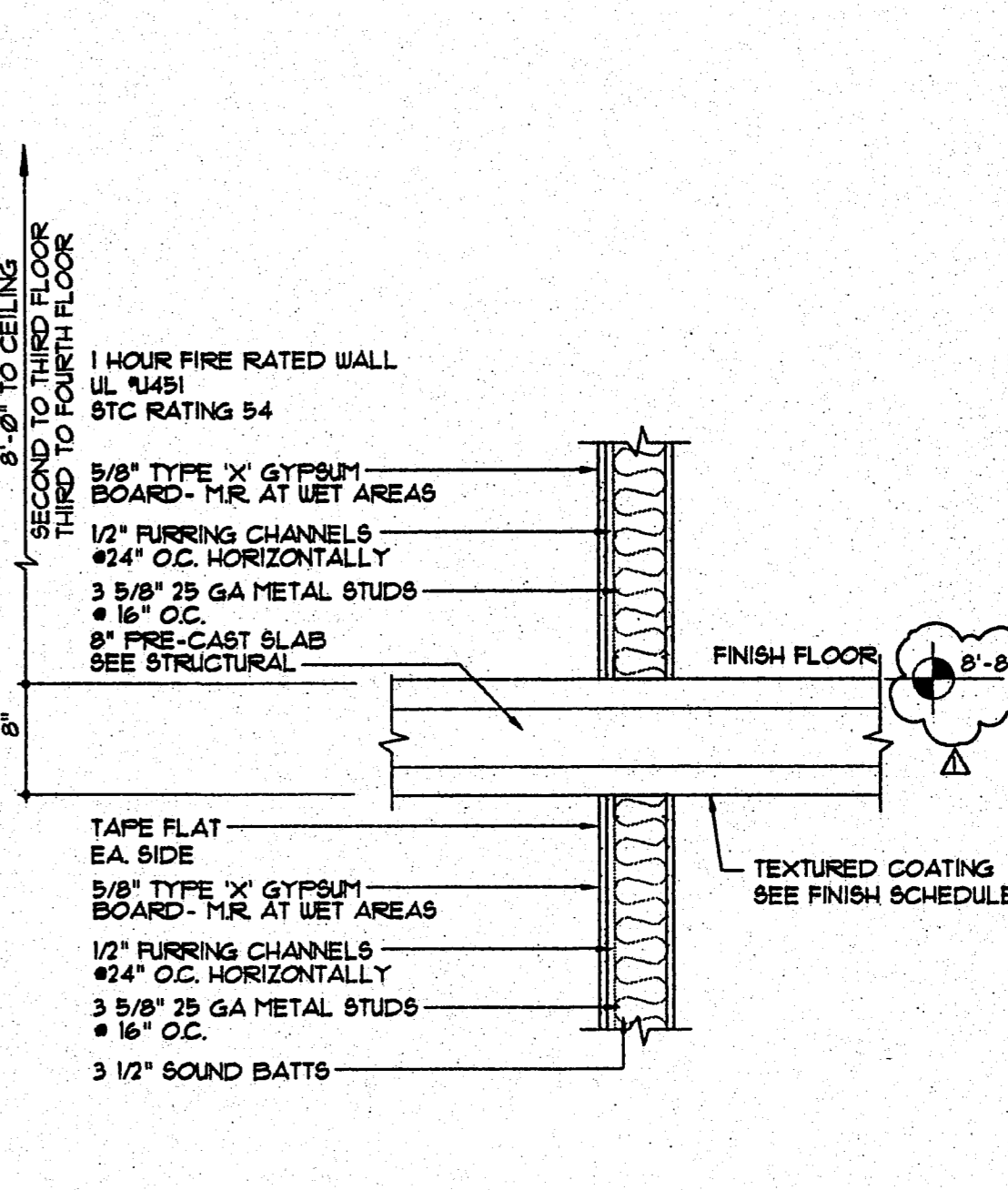
7 Section Detail Load Bearing Division Wall @ Typical Floor SCALE: 1" = 1'-0"



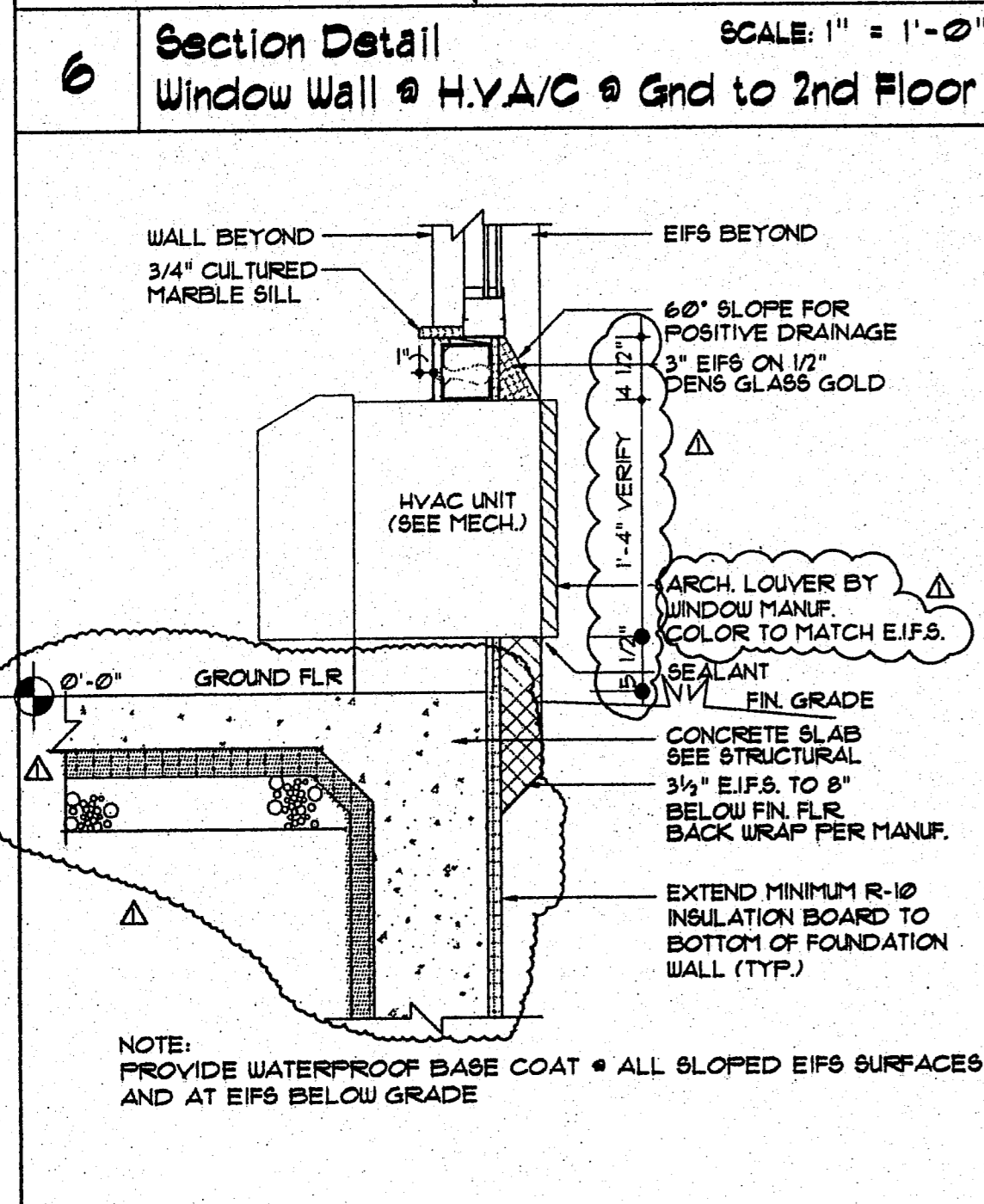
8 Section Detail End Wall @ Typical Floors SCALE: 1" = 1'-0"



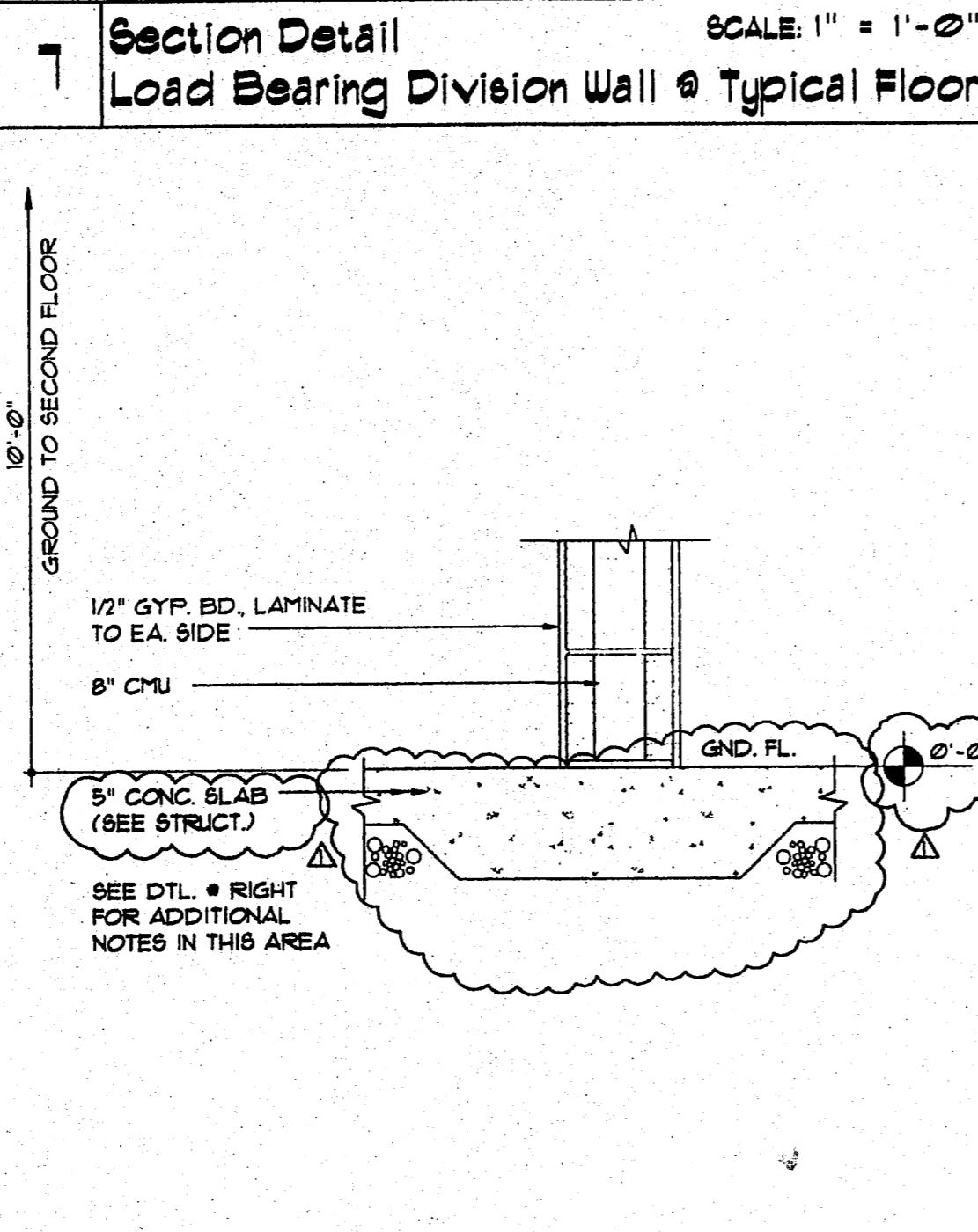
9 Section Detail Typical Floor Stud Wall Section SCALE: 1" = 1'-0"



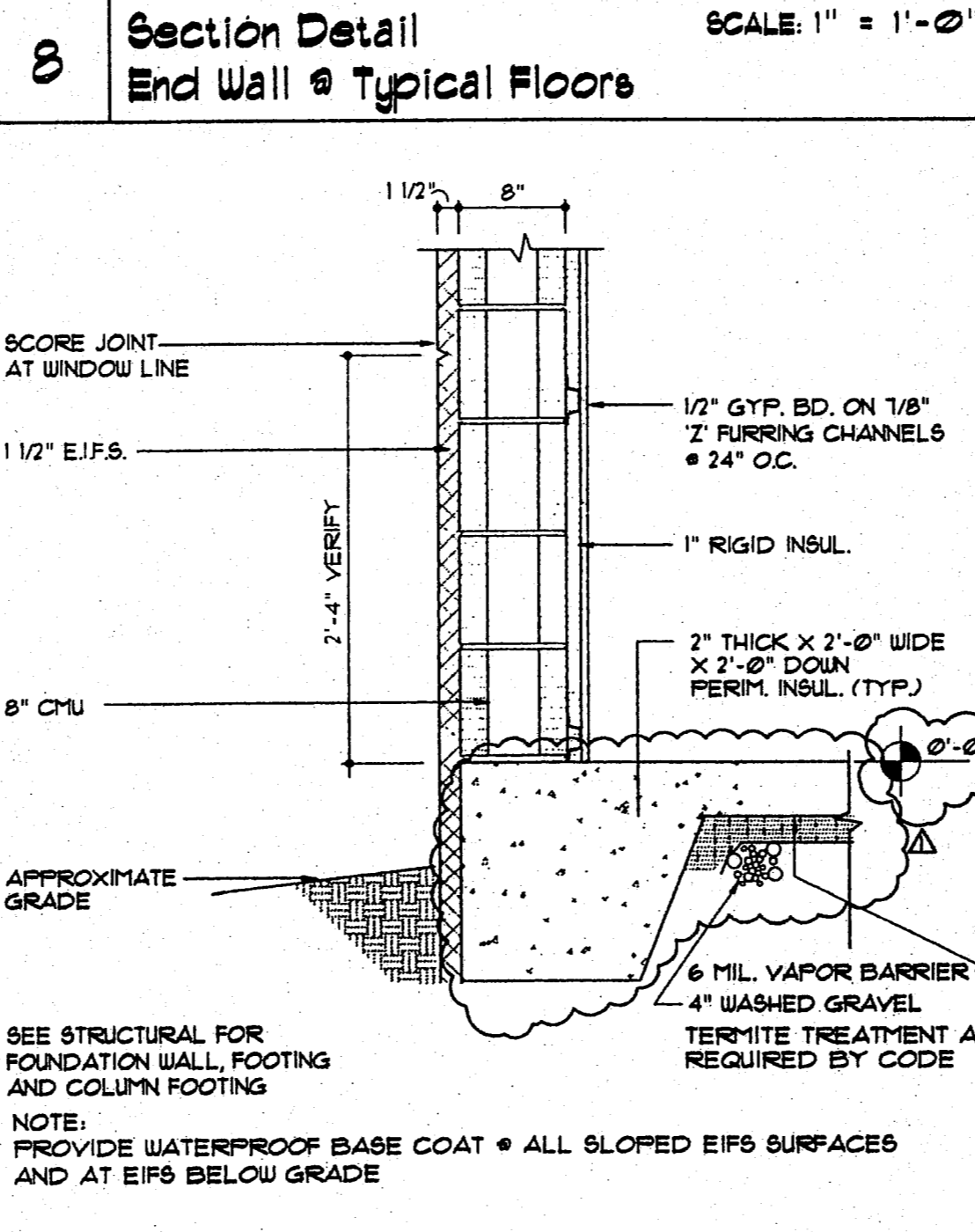
10 Section Detail Typical Floor Stud Division Wall SCALE: 1" = 1'-0"



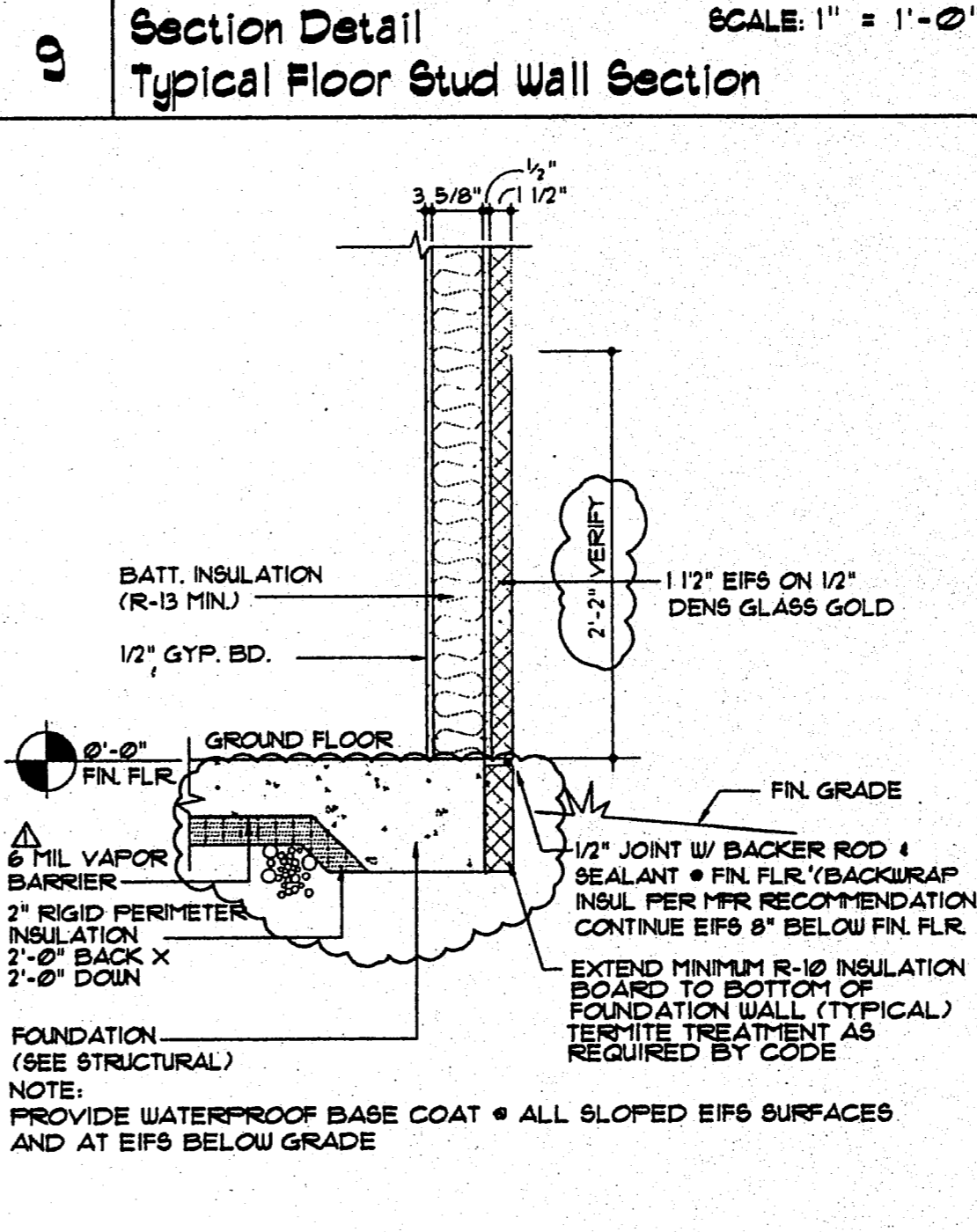
11 Section Detail Window Wall @ H.V.A/C @ Ground Floor SCALE: 1" = 1'-0"



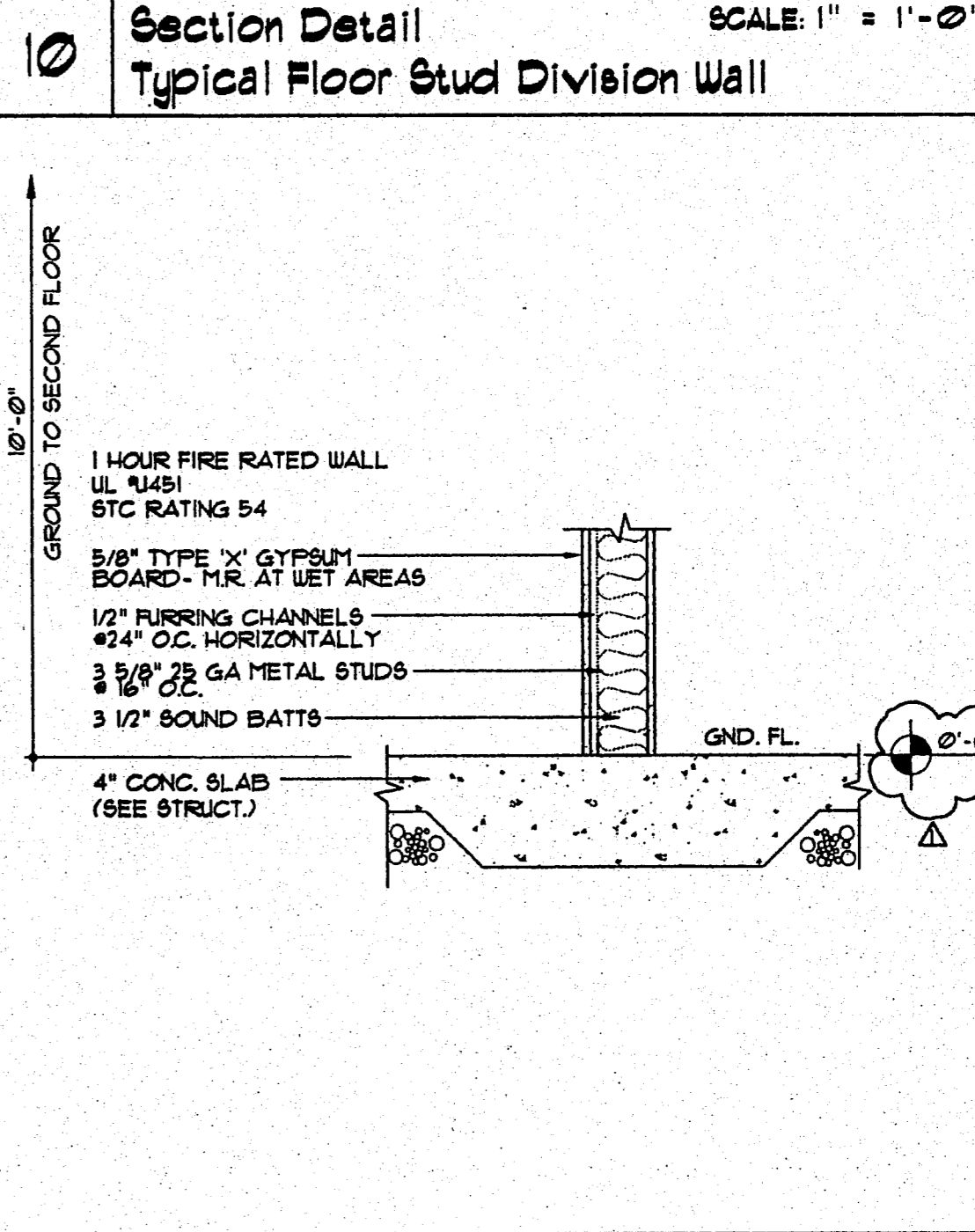
12 Section Detail Load Bearing Division Wall @ Ground Floor SCALE: 1" = 1'-0"



13 Section Detail End Wall @ Ground Floor SCALE: 1" = 1'-0"



14 Section Detail Typical Stud Wall Section SCALE: 1" = 1'-0"



15 Section Detail Ground Floor Stud Division Wall SCALE: 1" = 1'-0"