

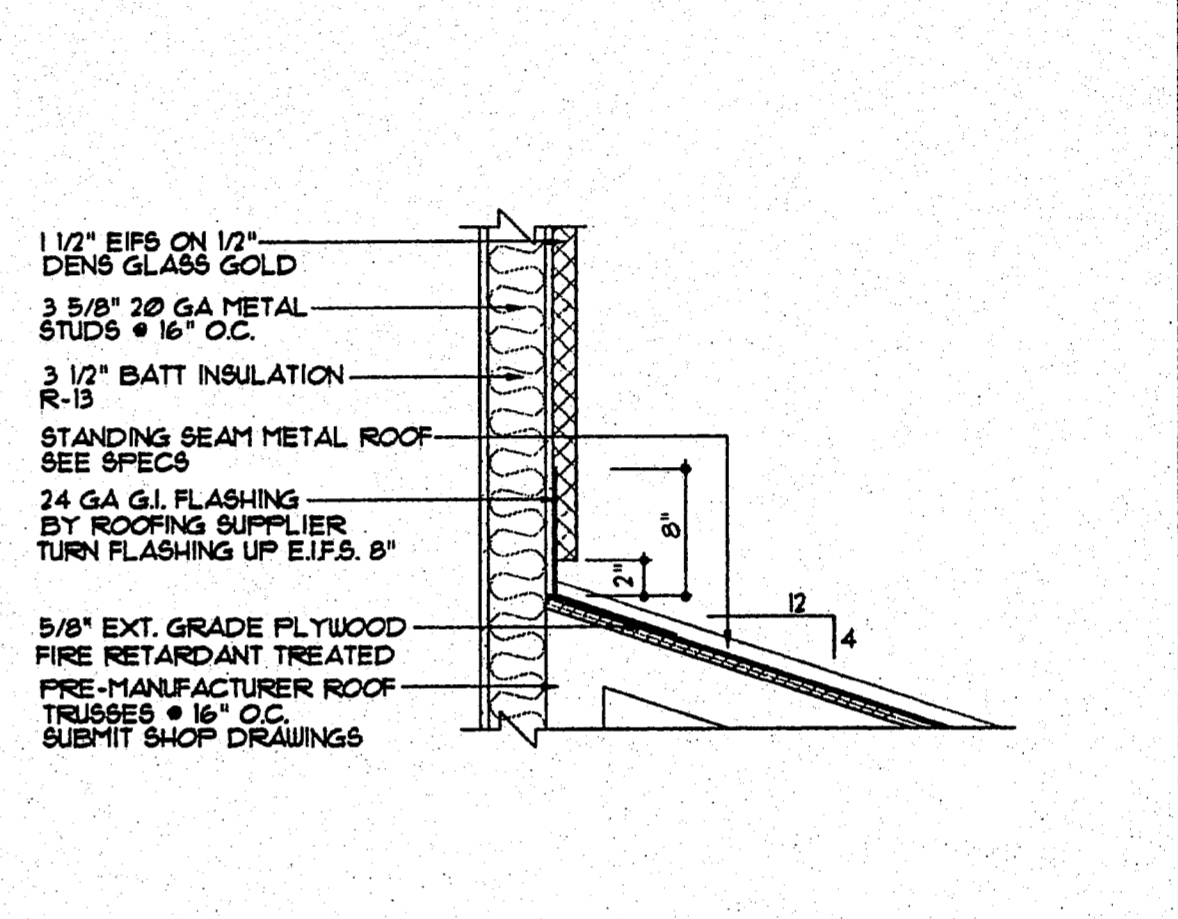
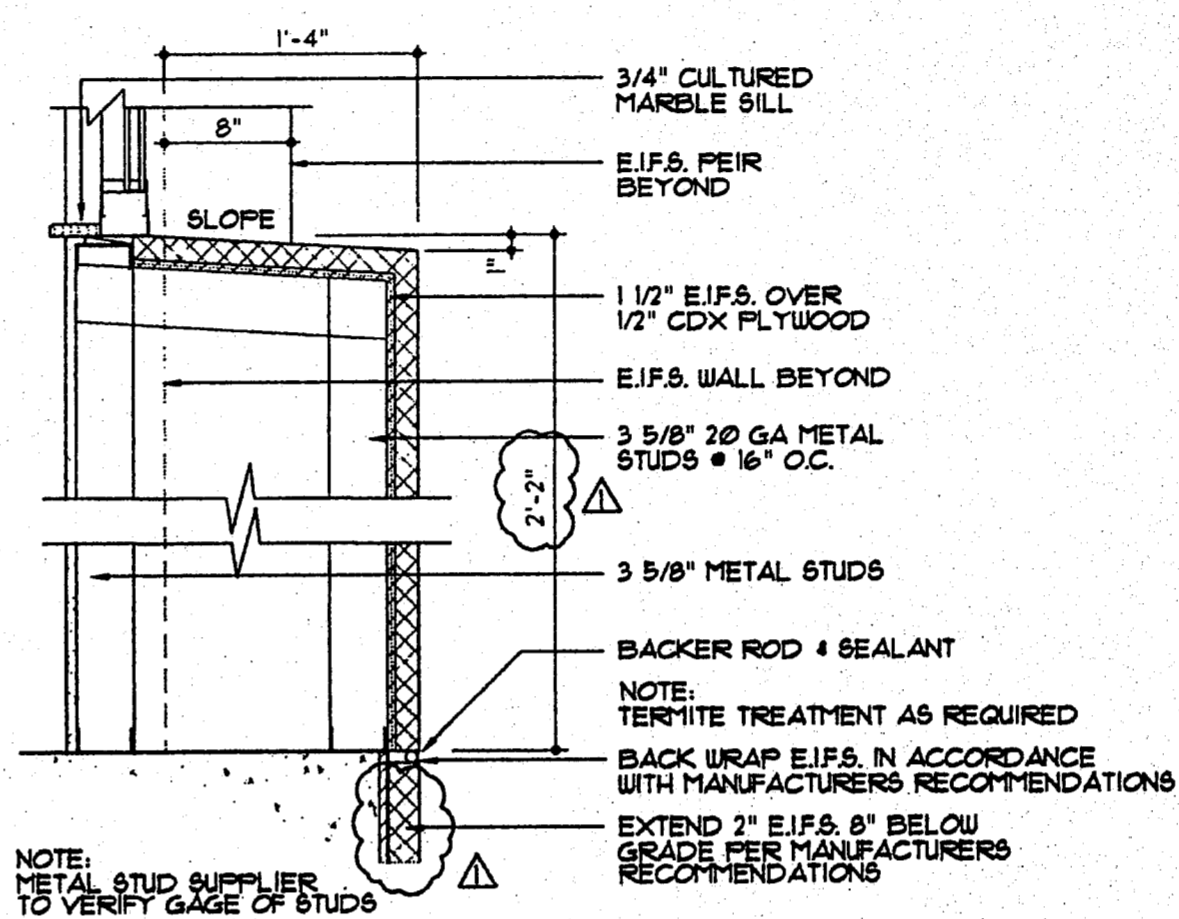
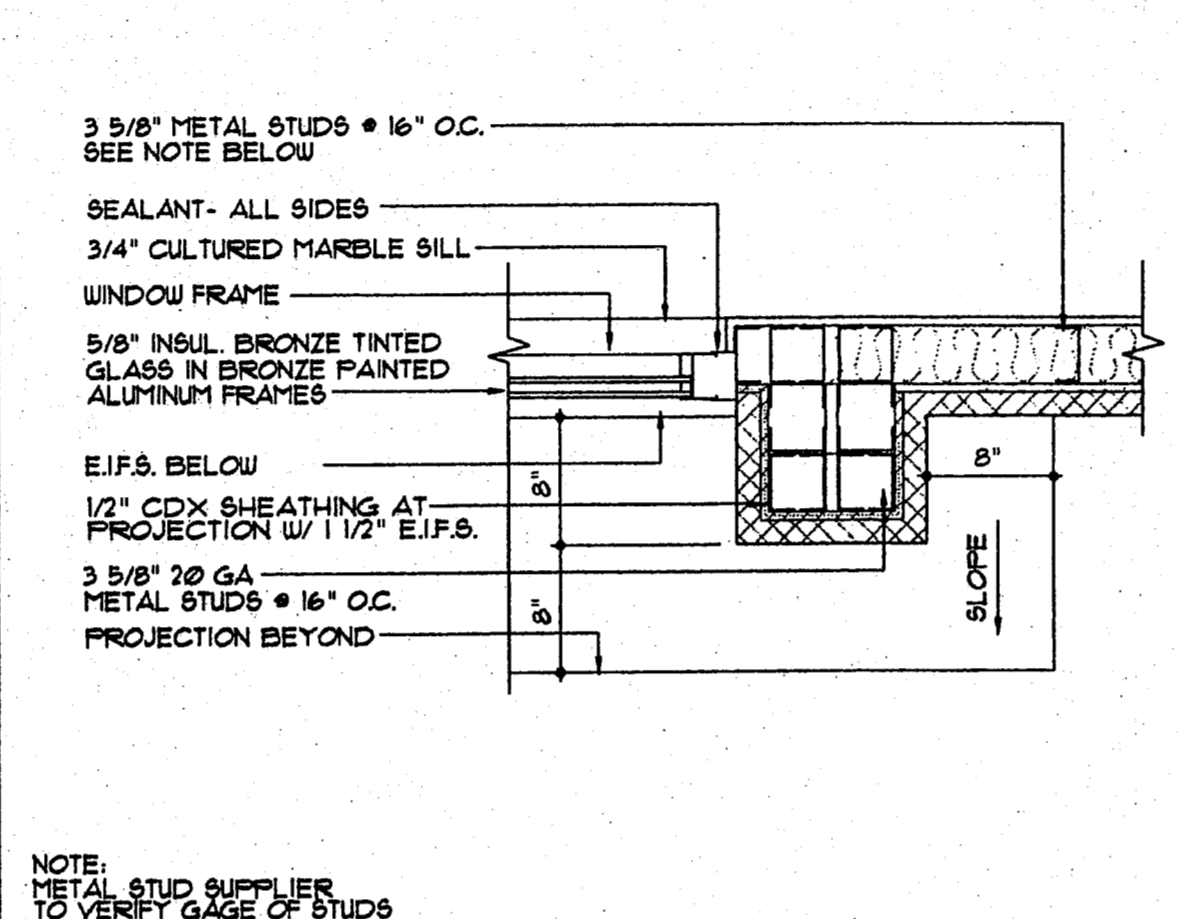
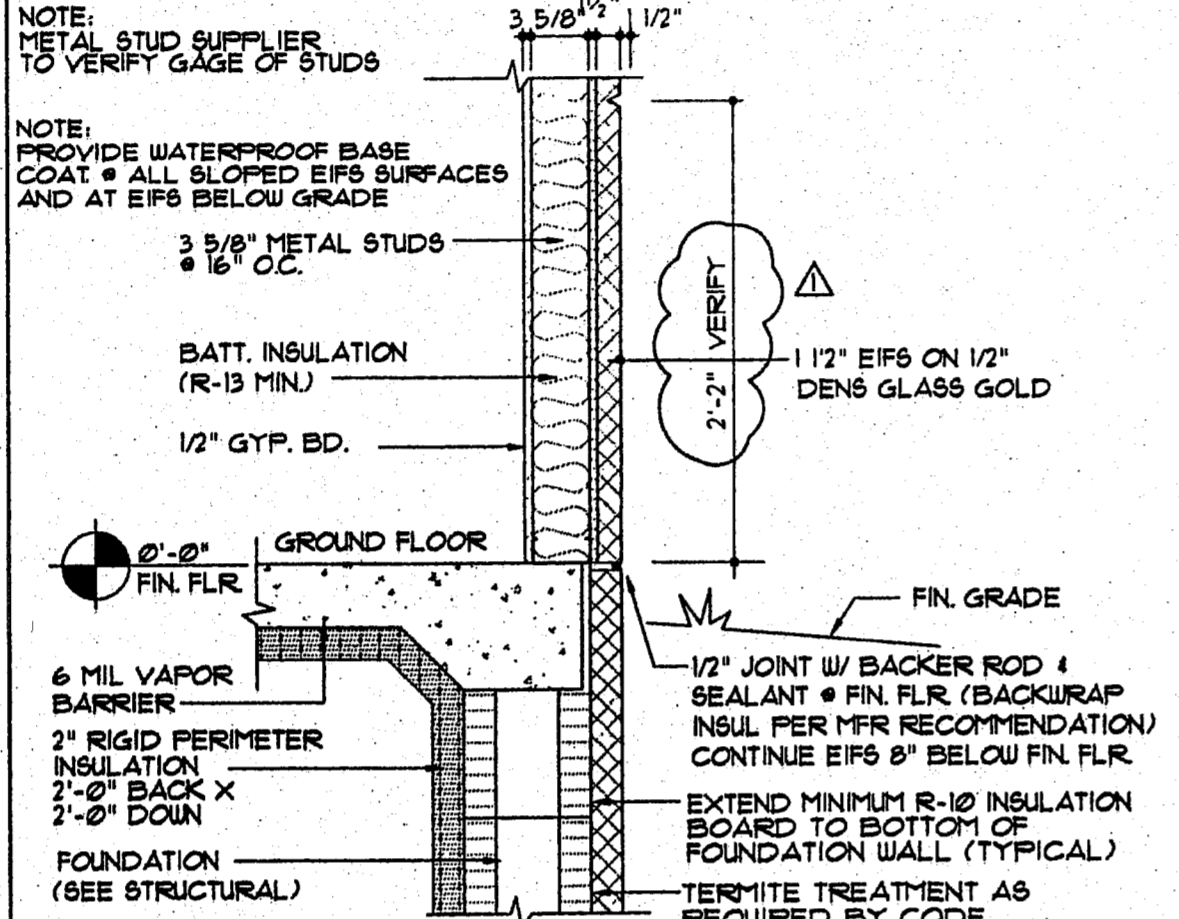
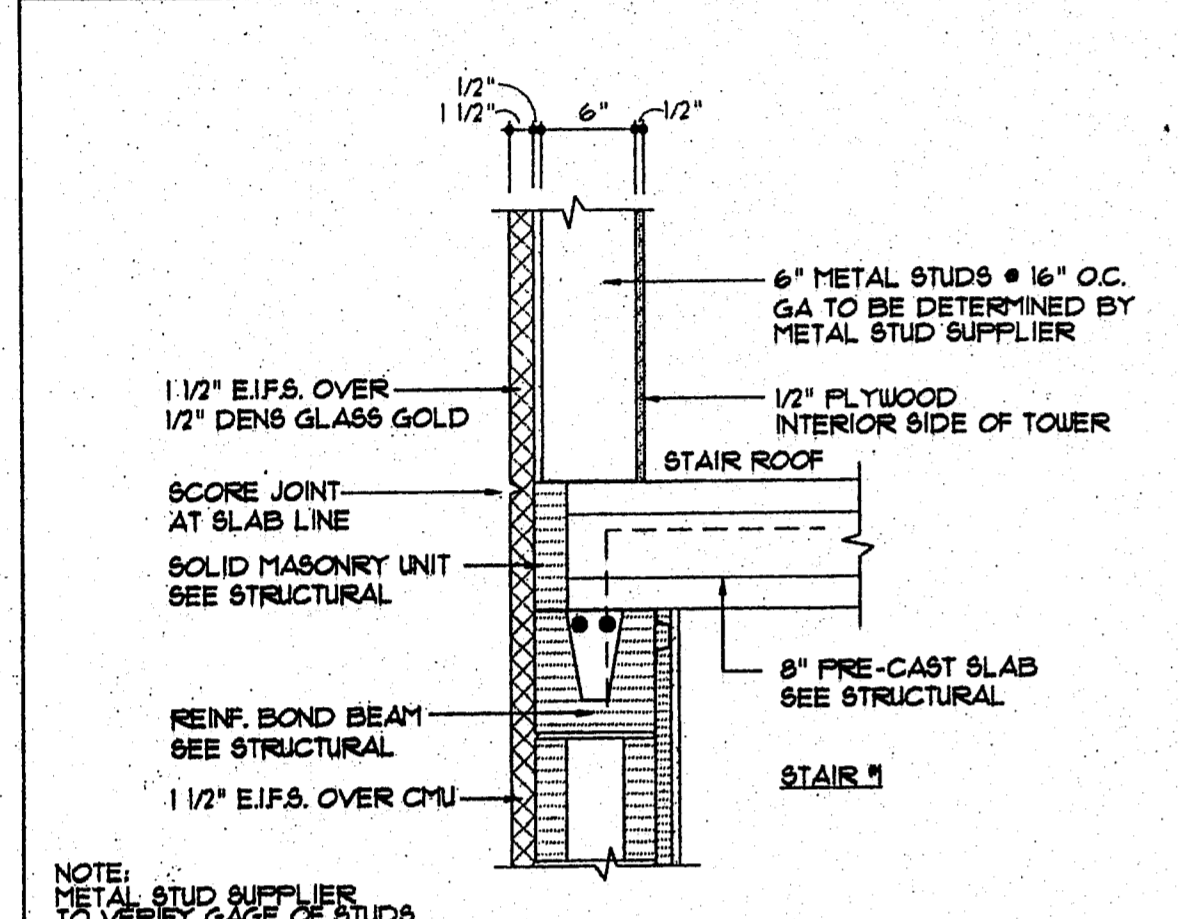
1 Section Detail Stair Tower Cornice SCALE: 1" = 1'-0"

2 Section Detail Commercial Area Roof Cornice SCALE: 1" = 1'-0"

3 Section Detail Roof @ Arched Window @ Commercial Area SCALE: 1" = 1'-0"

4 Section Detail Tower Louver SCALE: 1" = 1'-0"

5 Section Detail Flashing @ Commercial Area Roof SCALE: 1" = 1'-0"



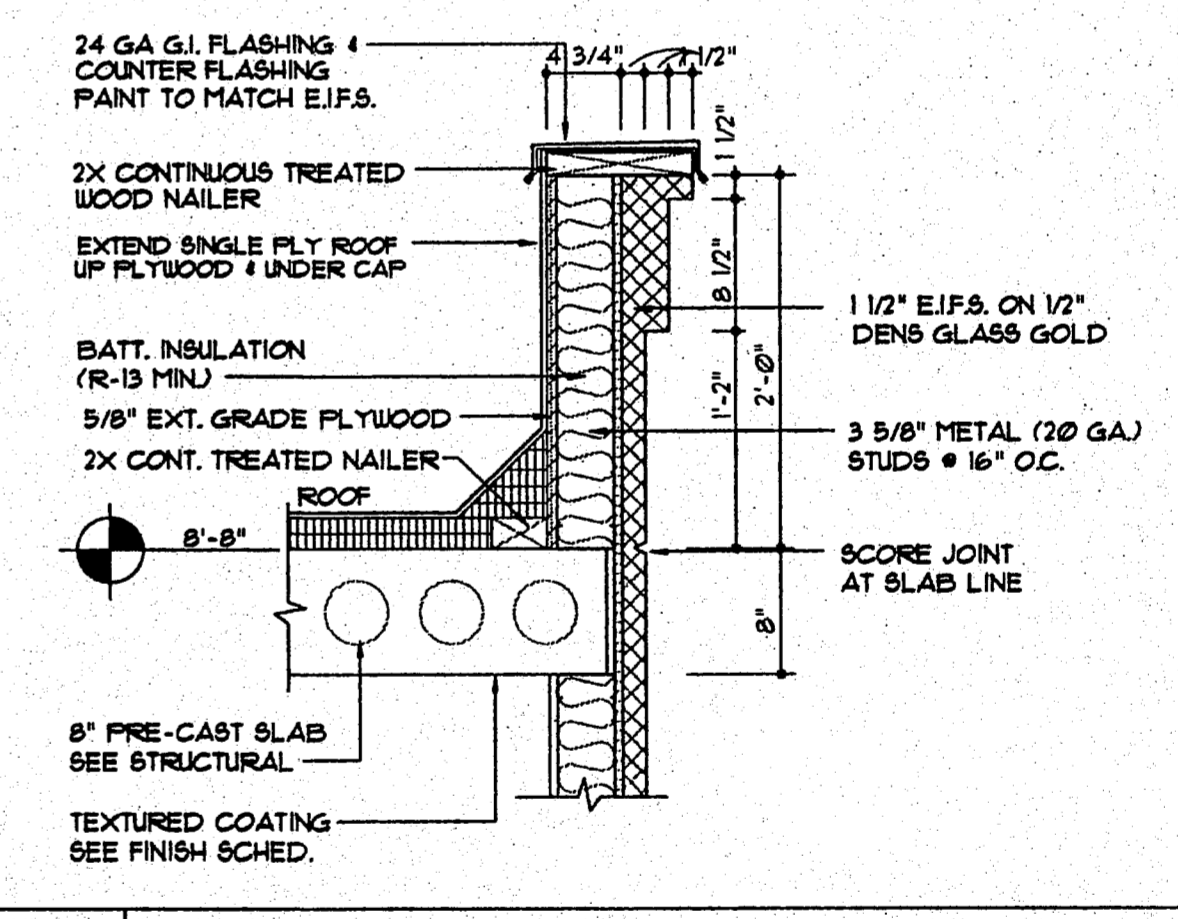
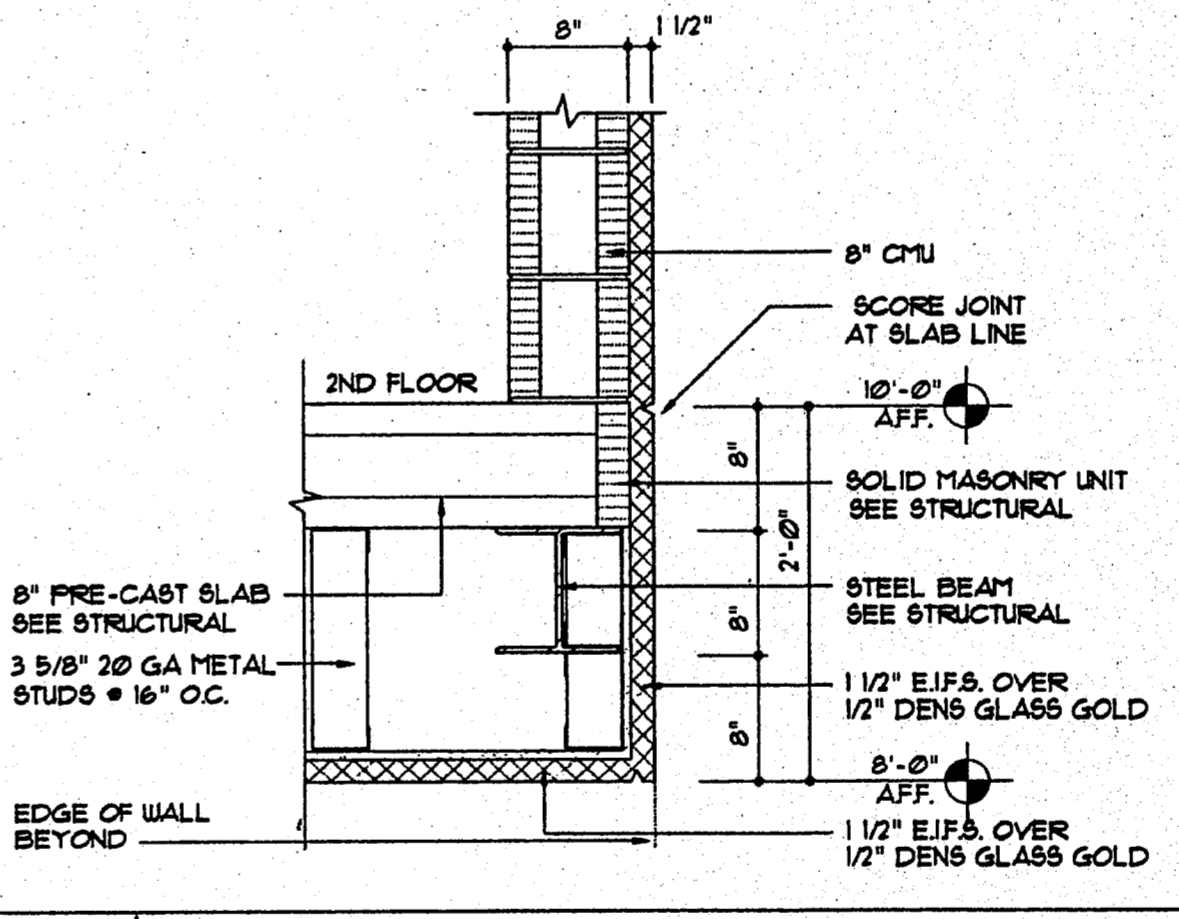
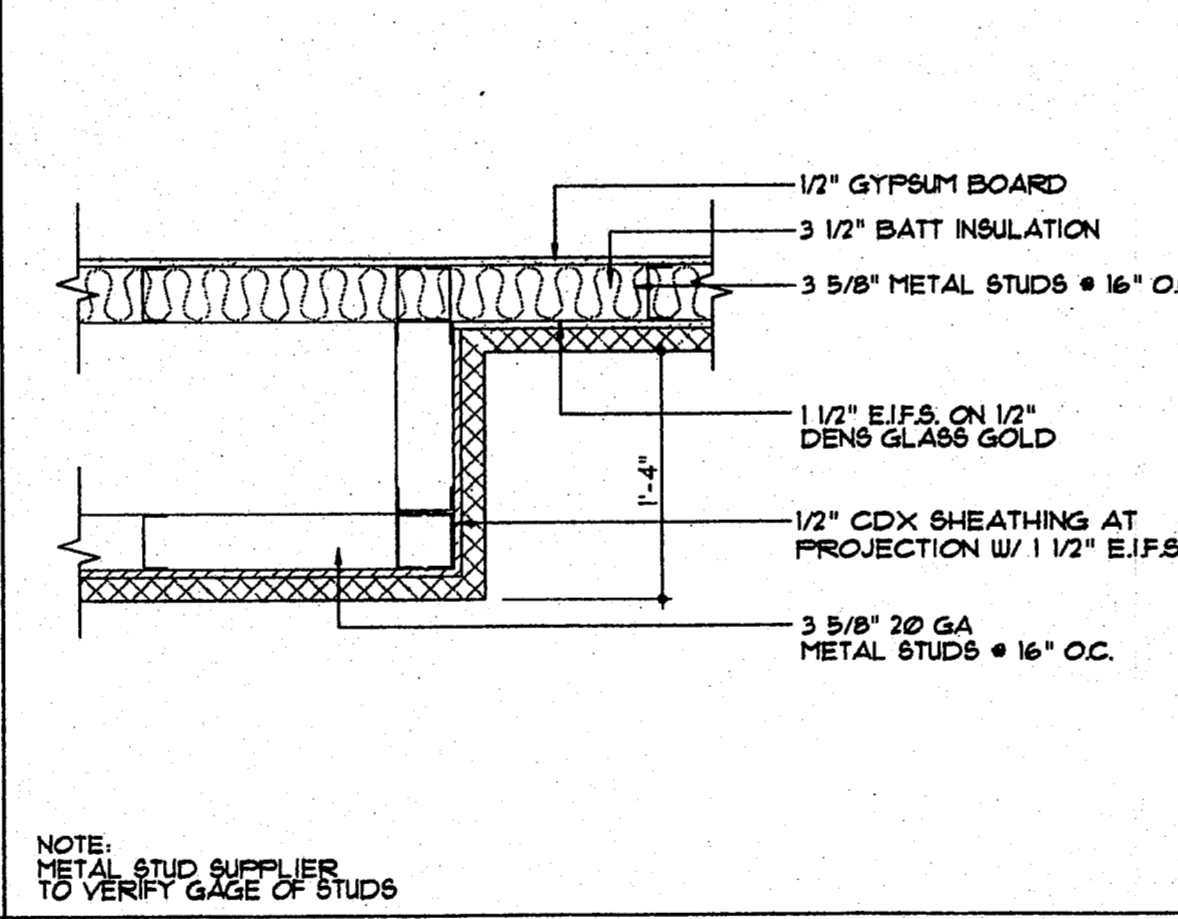
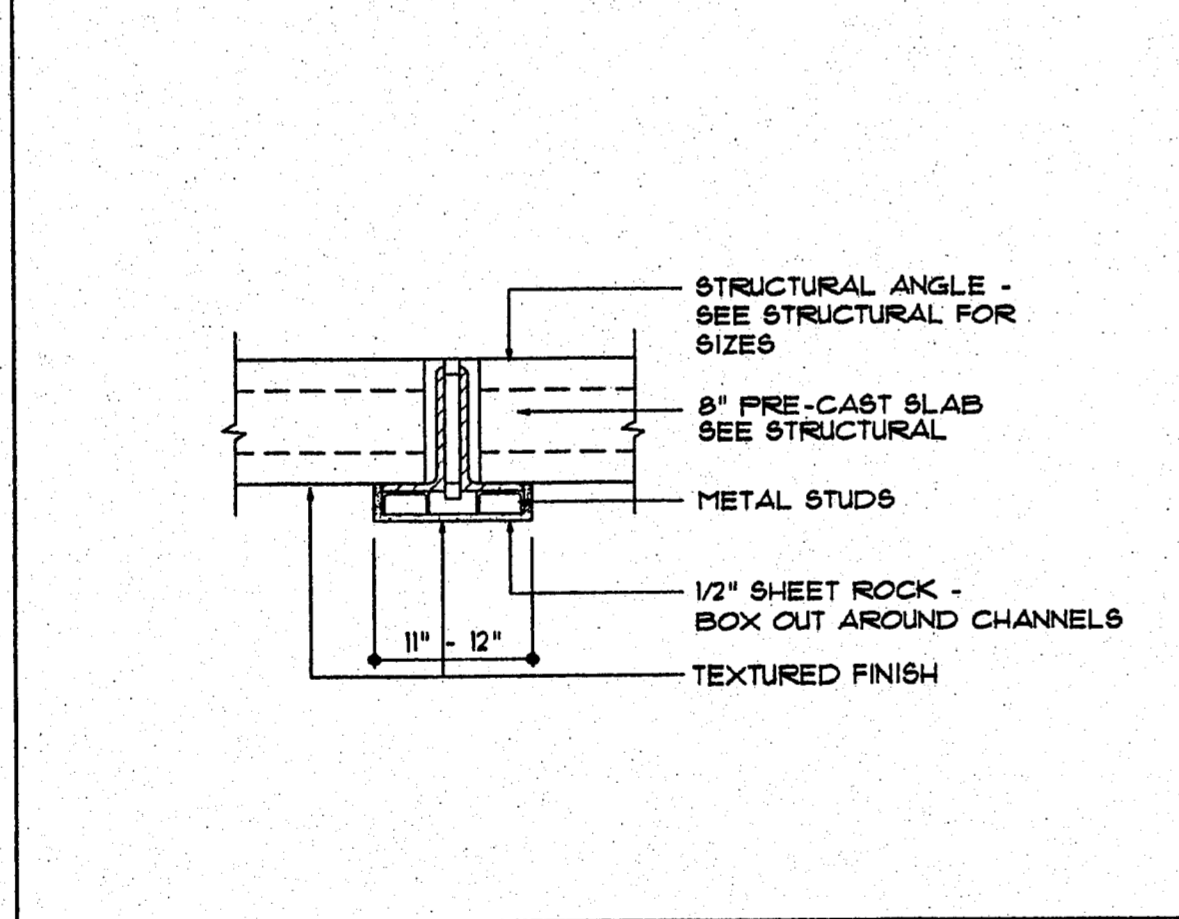
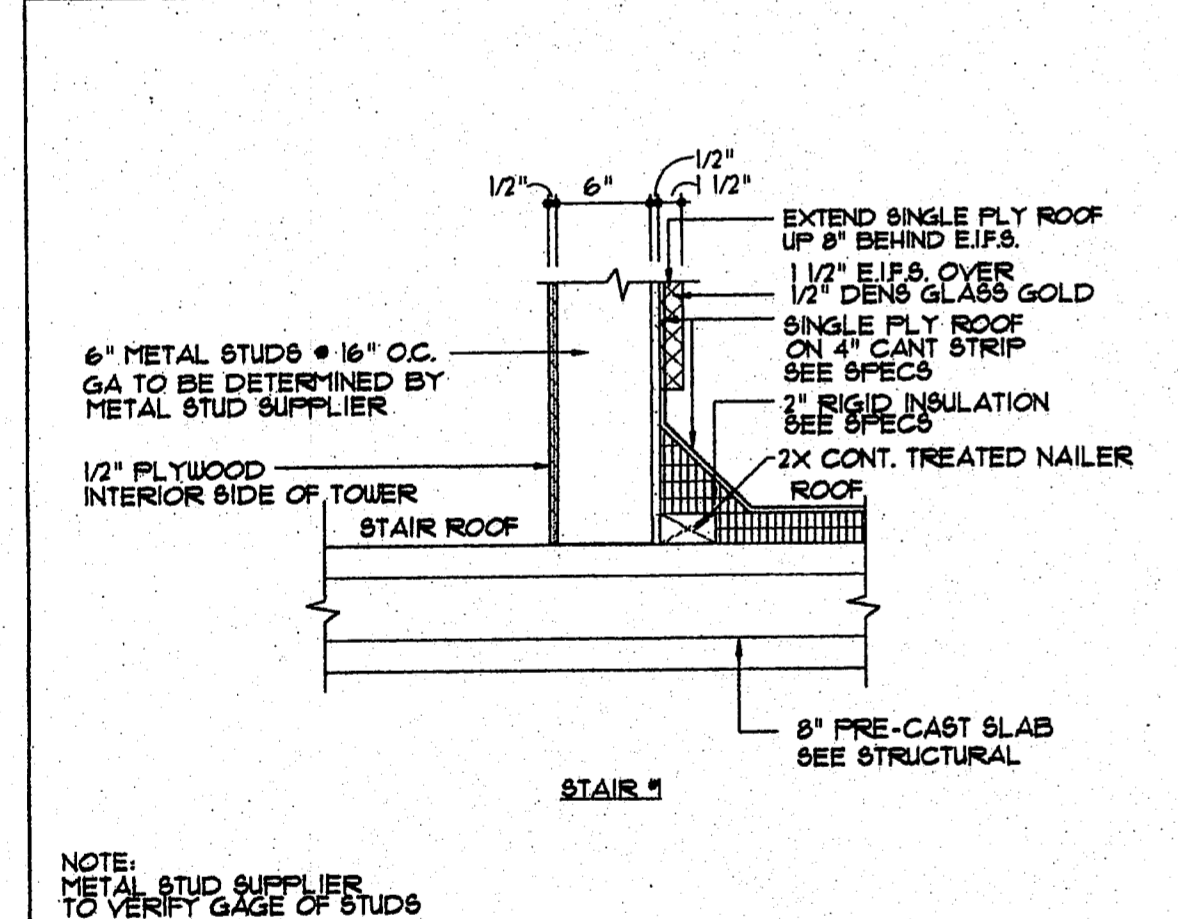
6 Section Detail Stair Tower @ Pre-cast Roof SCALE: 1" = 1'-0"

7 Section Detail Commercial Area Slab SCALE: 1" = 1'-0"

8 Plan Detail Peir @ Commercial Area Window SCALE: 1" = 1'-0"

9 Section Detail Projection Below Commercial Area Window SCALE: 1" = 1'-0"

10 Section Detail Flashing @ Commercial Area Roof SCALE: 1" = 1'-0"



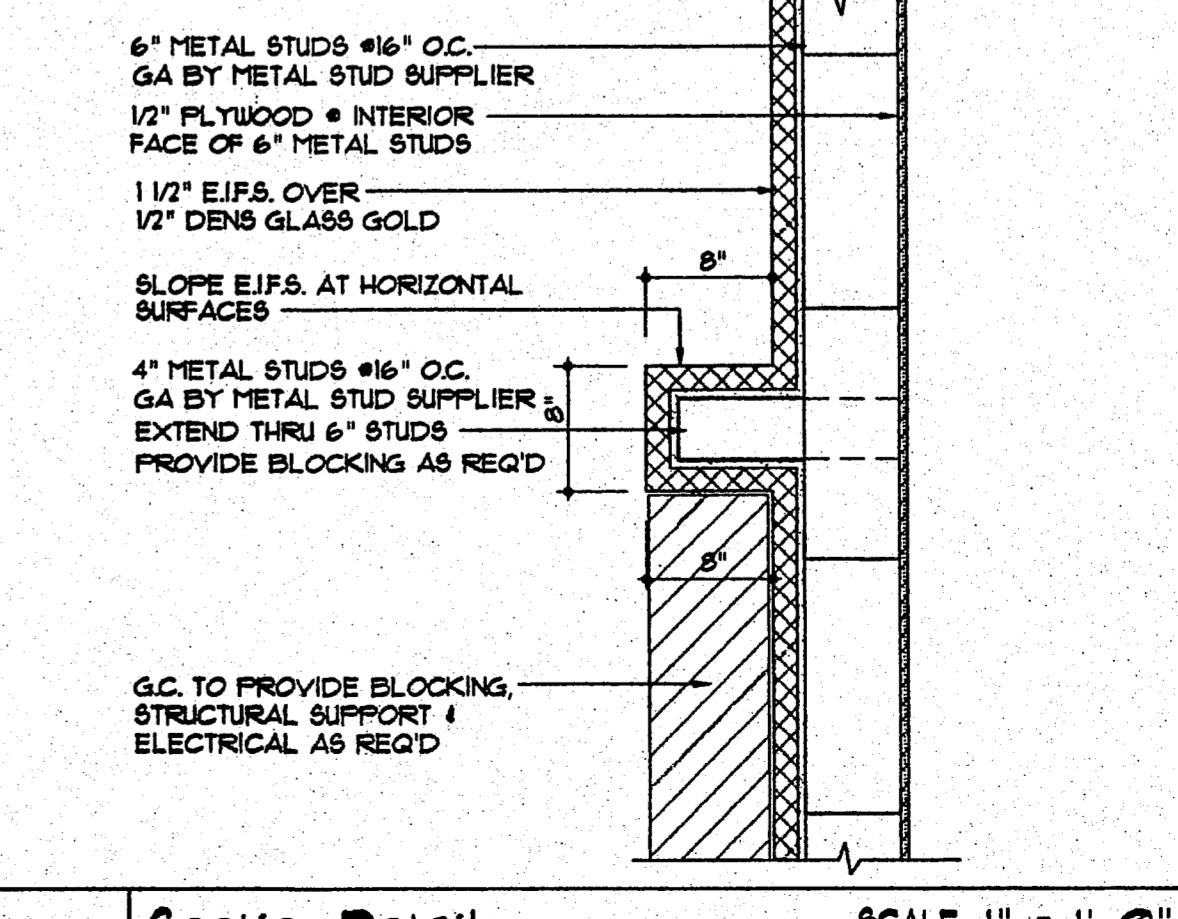
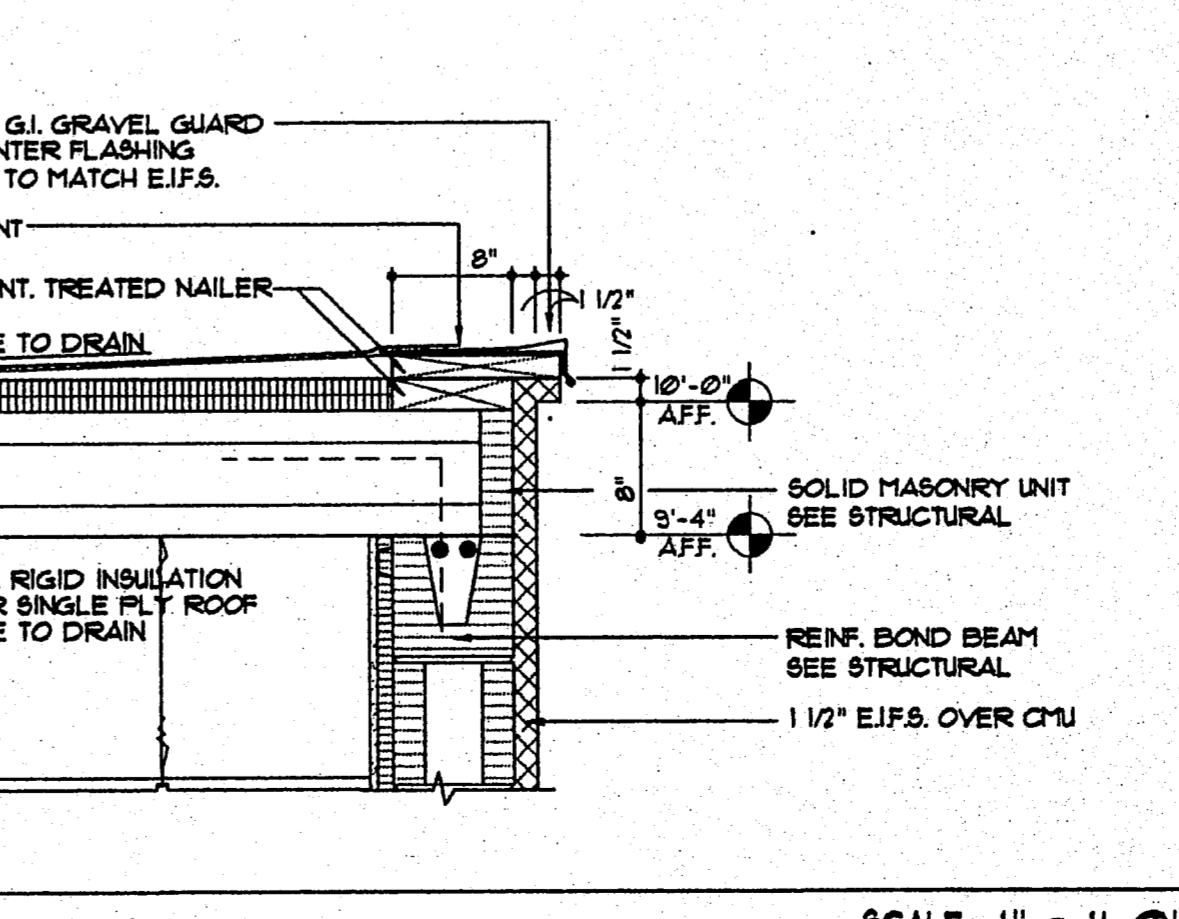
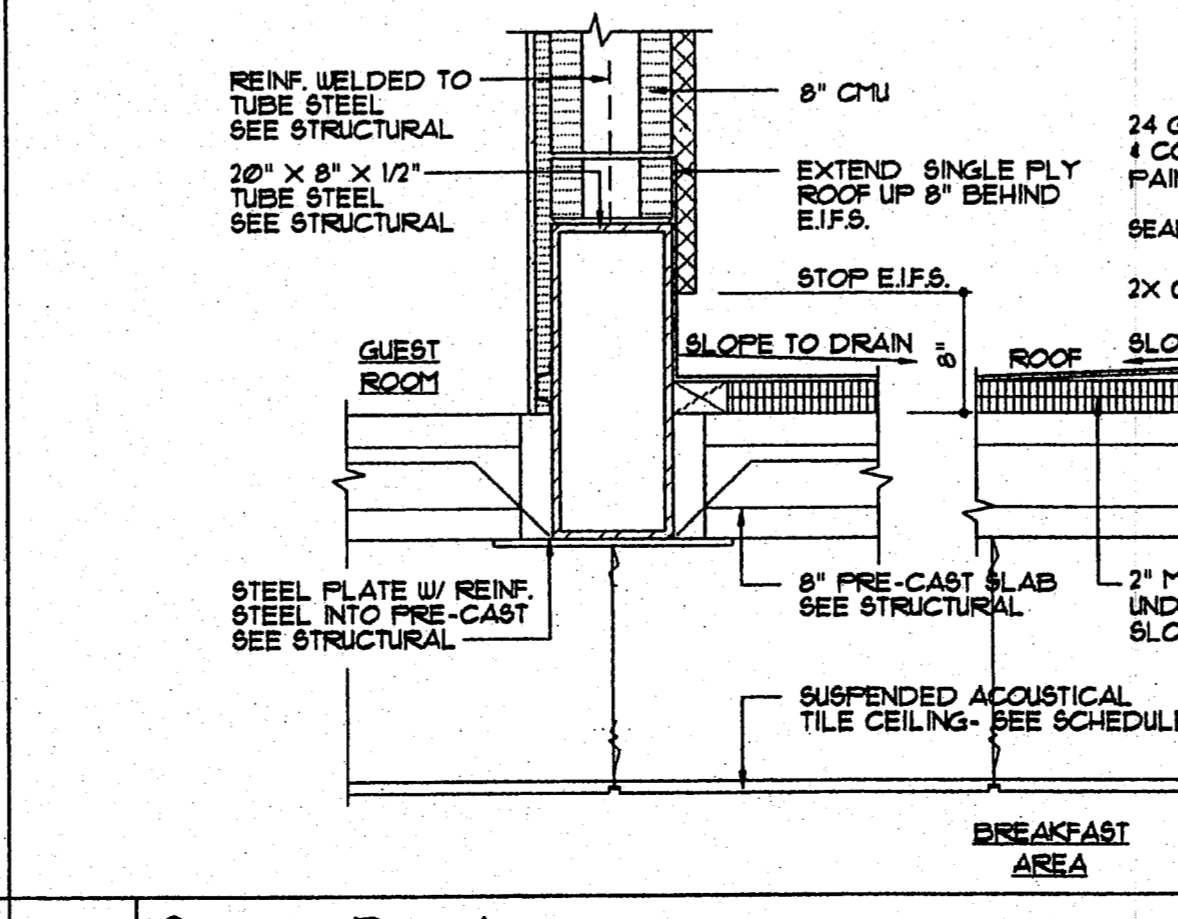
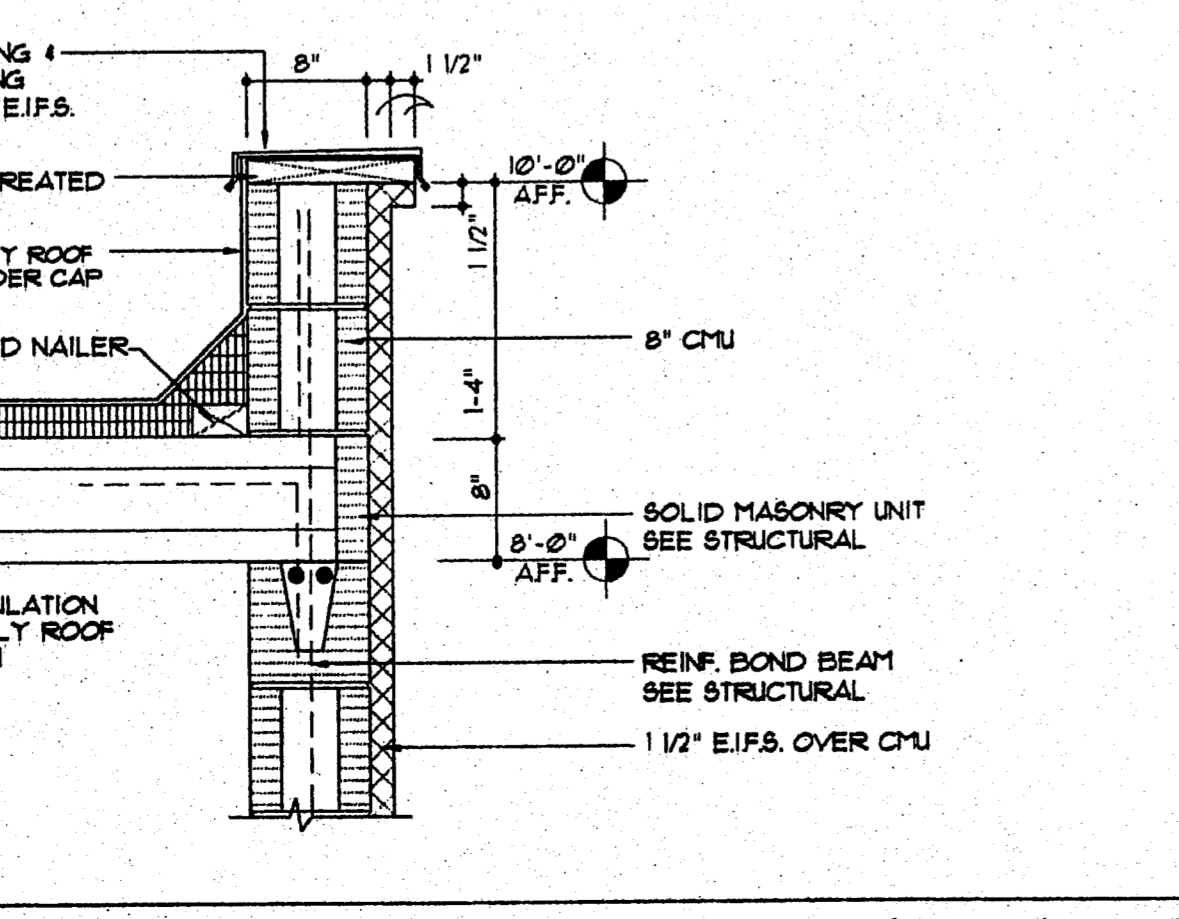
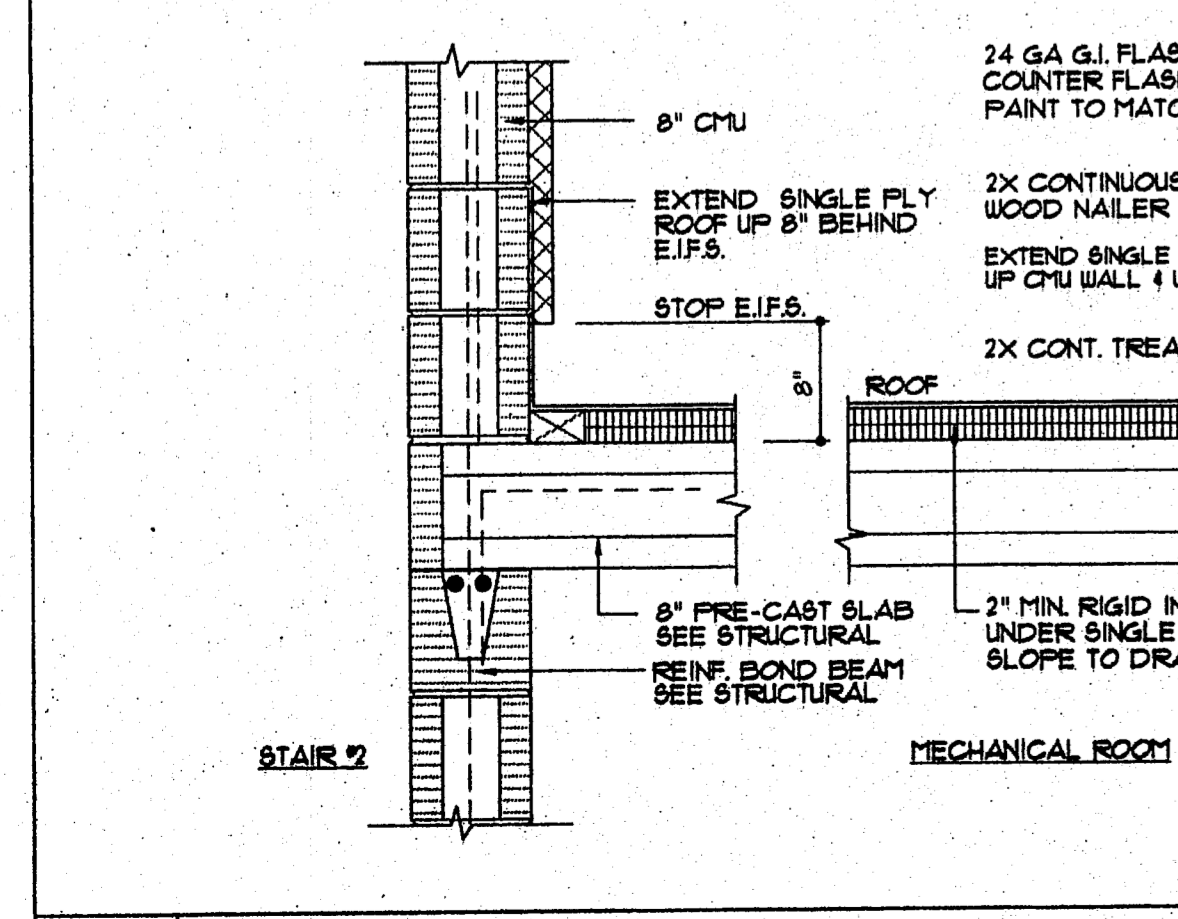
11 Section Detail Main Roof @ Tower Wall SCALE: 1" = 1'-0"

12 Section Detail Pre-cast Connection @ Corridors SCALE: 1" = 1'-0"

13 Plan Detail Projection Below Commercial Area Window SCALE: 1" = 1'-0"

14 Section Detail Soffit @ Stair #2 SCALE: 1" = 1'-0"

15 Section Detail Parapet Above Entry SCALE: 1" = 1'-0"



16 Section Detail 1 Story Roof @ Mechanical Room SCALE: 1" = 1'-0"

17 Section Detail 1 Story Roof @ Breakfast Area SCALE: 1" = 1'-0"

18 Section Detail 1 Story Roof @ Breakfast Area SCALE: 1" = 1'-0"

19 Section Detail 1 Story Roof @ Breakfast Area SCALE: 1" = 1'-0"

20 Section Detail Sign Frame SCALE: 1" = 1'-0"

▲ revisions:
 ▲ REVIEW 10-14-97

▲ seal:

Sleep Inn
 Jackson, Mississippi

▲ title:
 COMMERCIAL AREA WALL SECTIONS 4 DETAILS

▲ date: 10-14-97

▲ job: 1697

▲ file: 1697-A74

▲ scale: AS NOTED

sheet
 17.4
 of 34