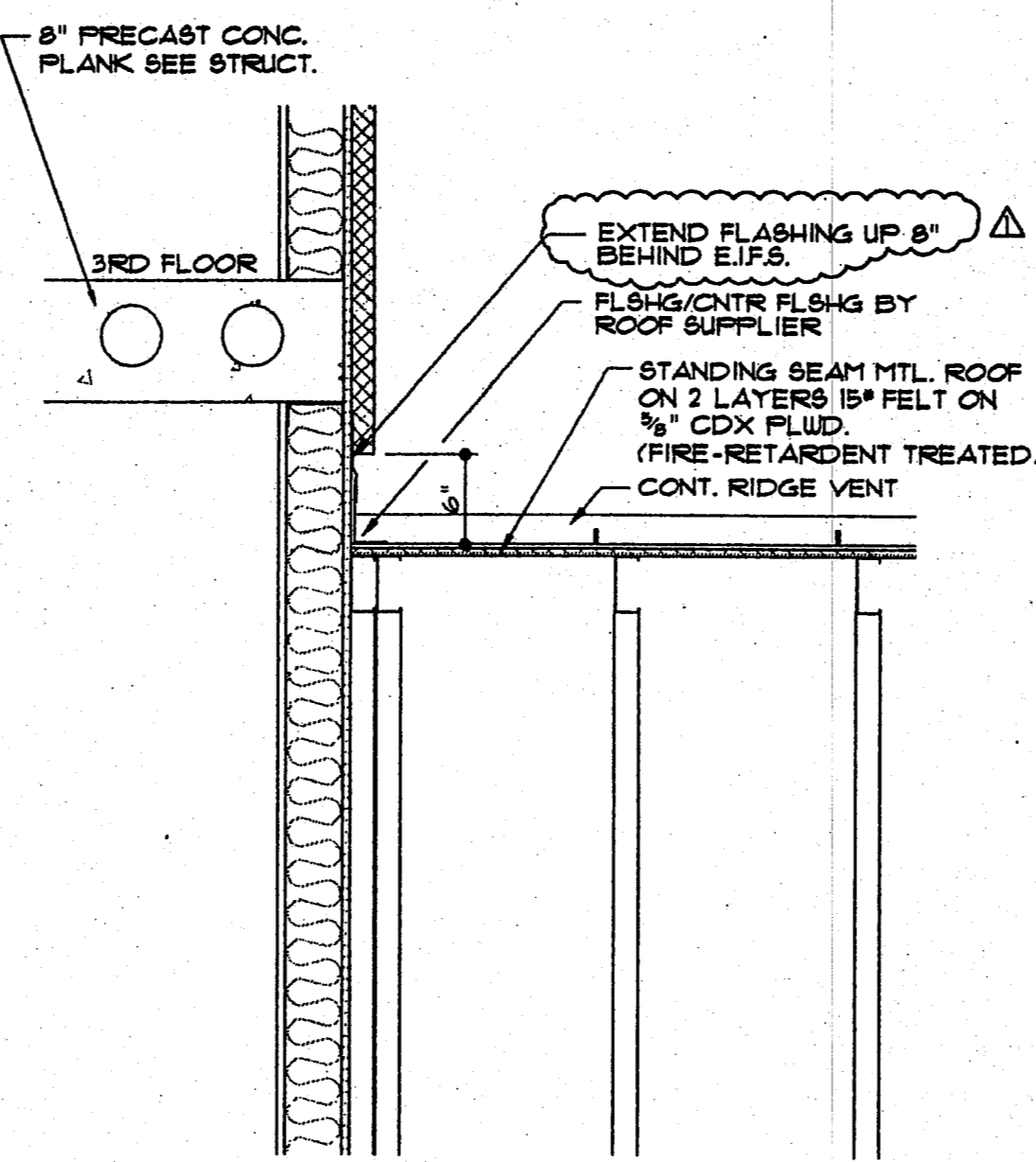


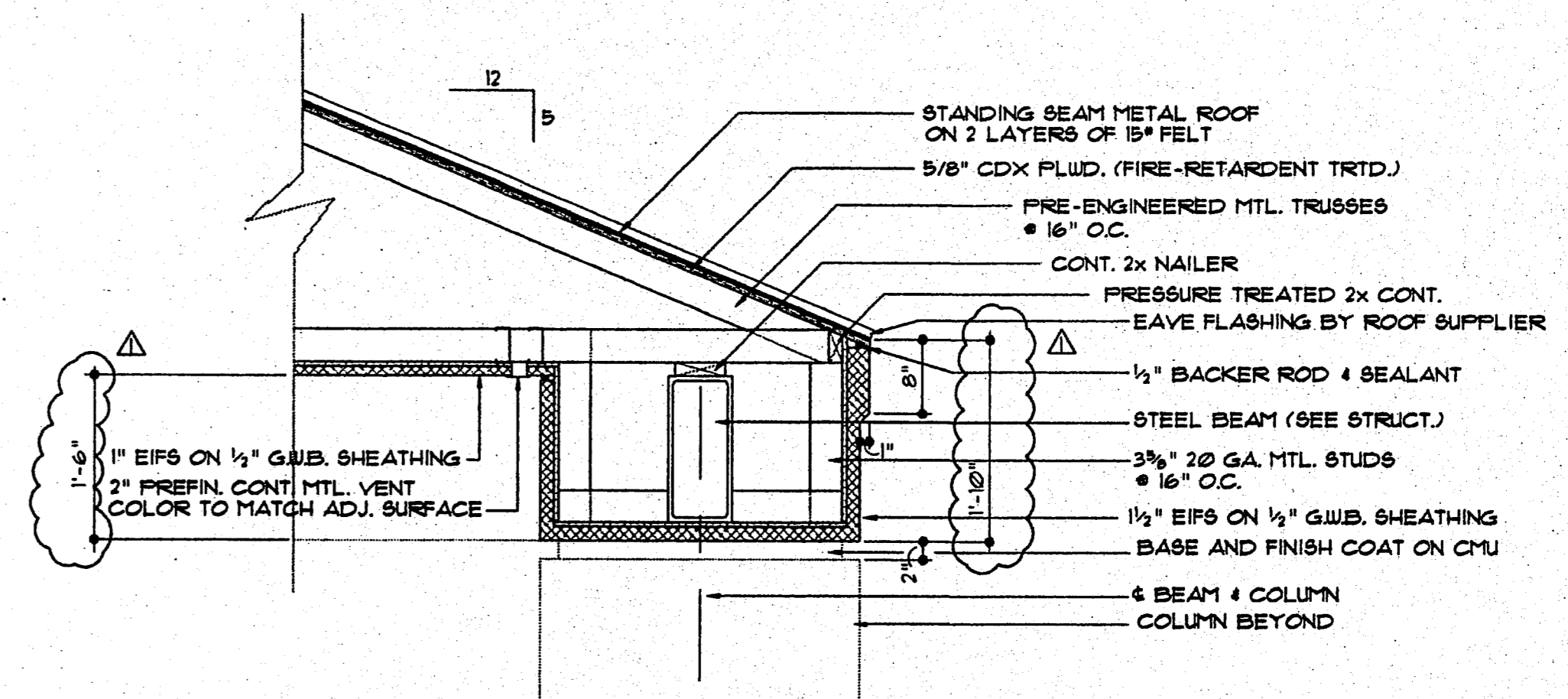
1 Section Detail  
Canopy Transverse

SCALE: 1/4" = 1'-0"



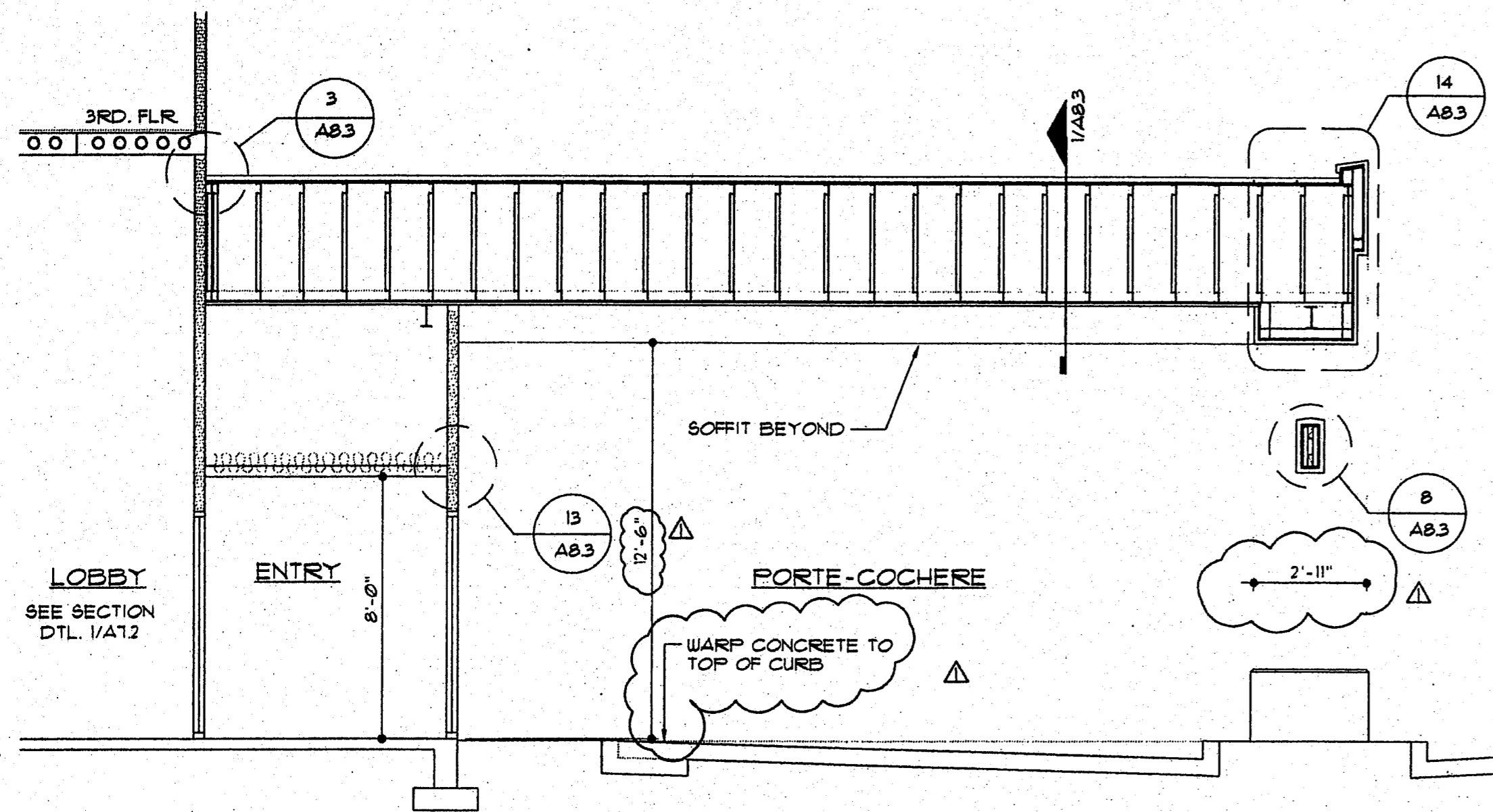
3 Section Detail  
Canopy at Hotel Wall

SCALE: 3/4" = 1'-0"



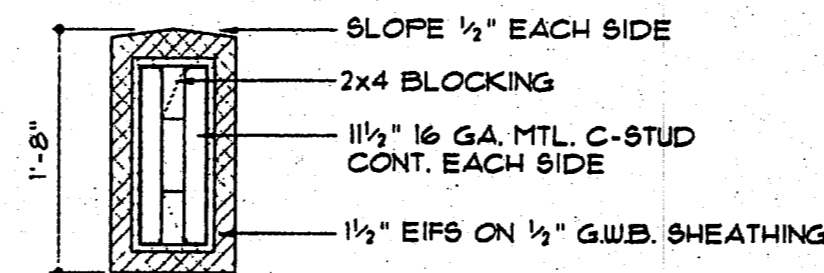
4 Section Detail  
Canopy

SCALE: 3/4" = 1'-0"



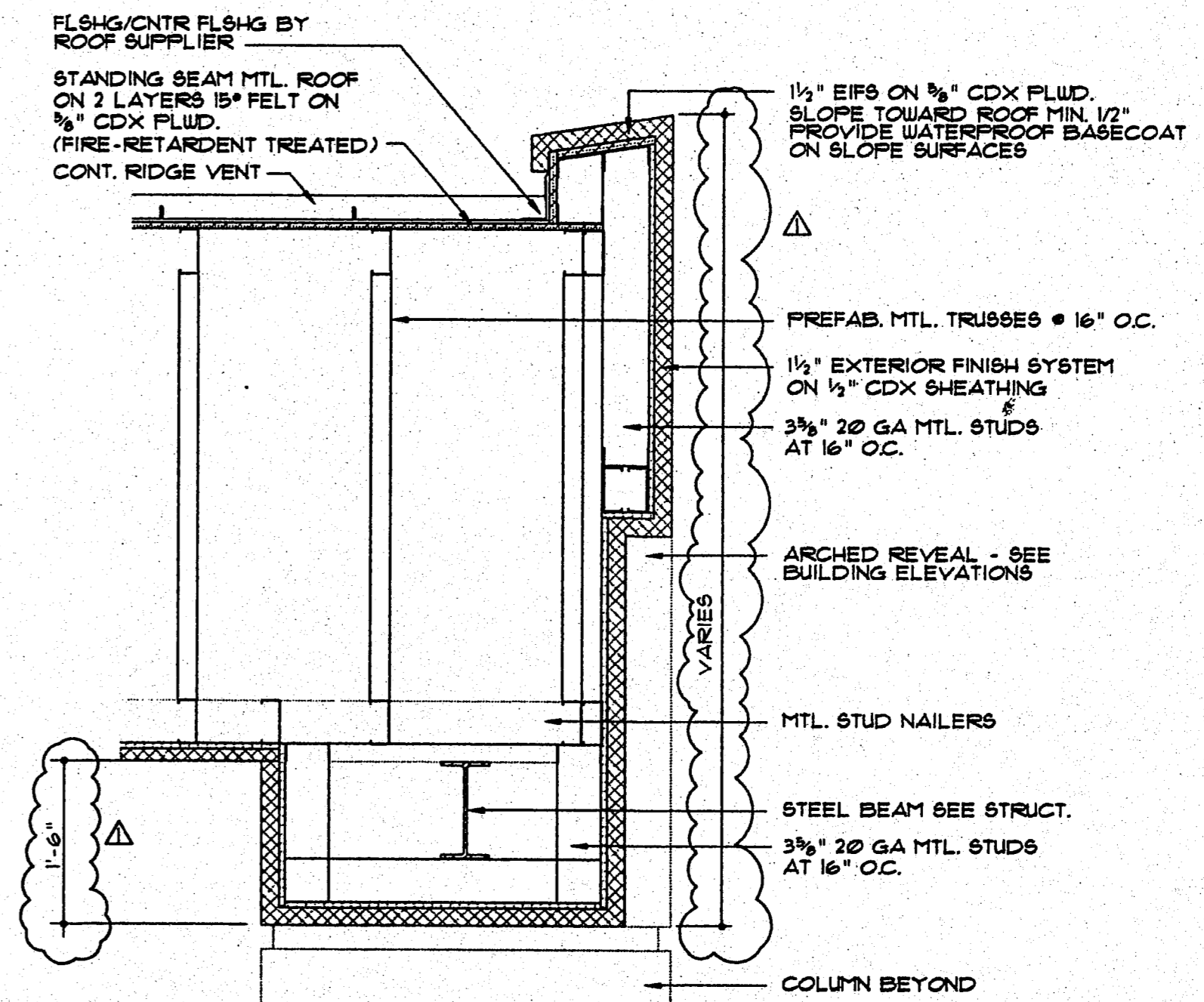
6 Section Detail  
Canopy Longitudinal

SCALE: 1/4" = 1'-0"



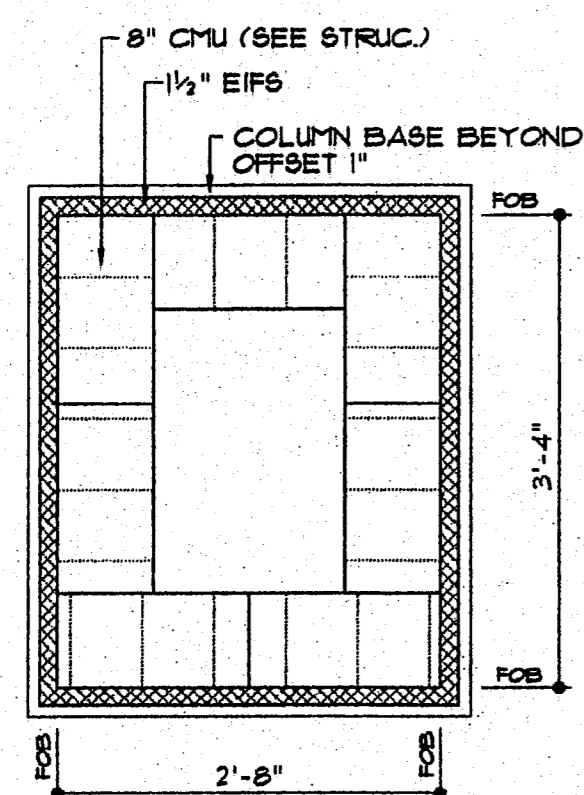
8 Section Detail  
Canopy False Beam

SCALE: 3/4" = 1'-0"



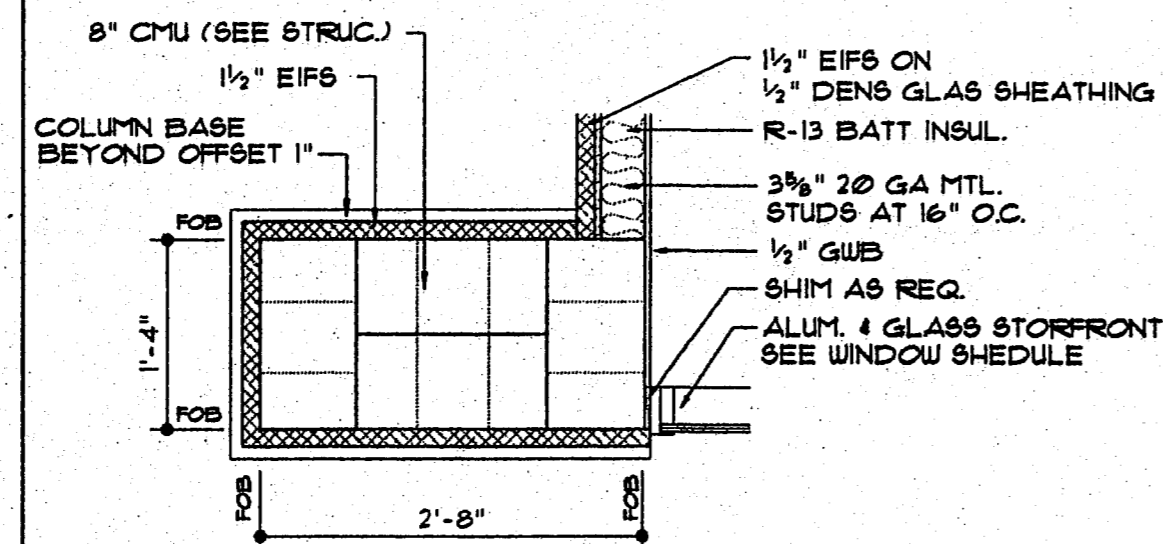
14 Section Detail  
Canopy Gable End

SCALE: 1" = 1'-0"



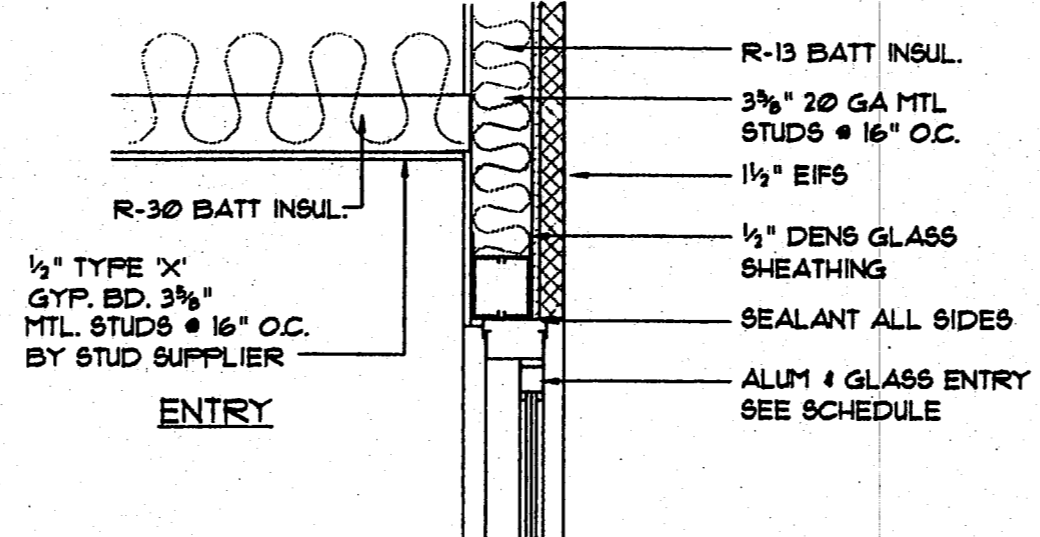
11 Section Detail  
Canopy Column

SCALE: 3/4" = 1'-0"



12 Section Detail  
Canopy Column

SCALE: 3/4" = 1'-0"



13 Section Detail  
Vestibule Ceiling

SCALE: 1" = 1'-0"

**LLW, Inc.**  
803 SOUTH MT. MORIAH, STE. 100B  
MEMPHIS, TENNESSEE 38117-5943  
901-683-7175/FAX 901-683-2385  
LEONARD MESSINA, ARCHITECT

▲ revisions:  
▲ REVIEW 10-14-91

▲ seal:

**Sleep Inn**  
Jackson, Mississippi

▲ title:  
CANOPY  
DETAILS

▲ date: 10-14-91  
▲ Job: 1691  
▲ file: 1691-A83  
▲ scale: AS NOTED

sheet  
**A8.3**  
of 34