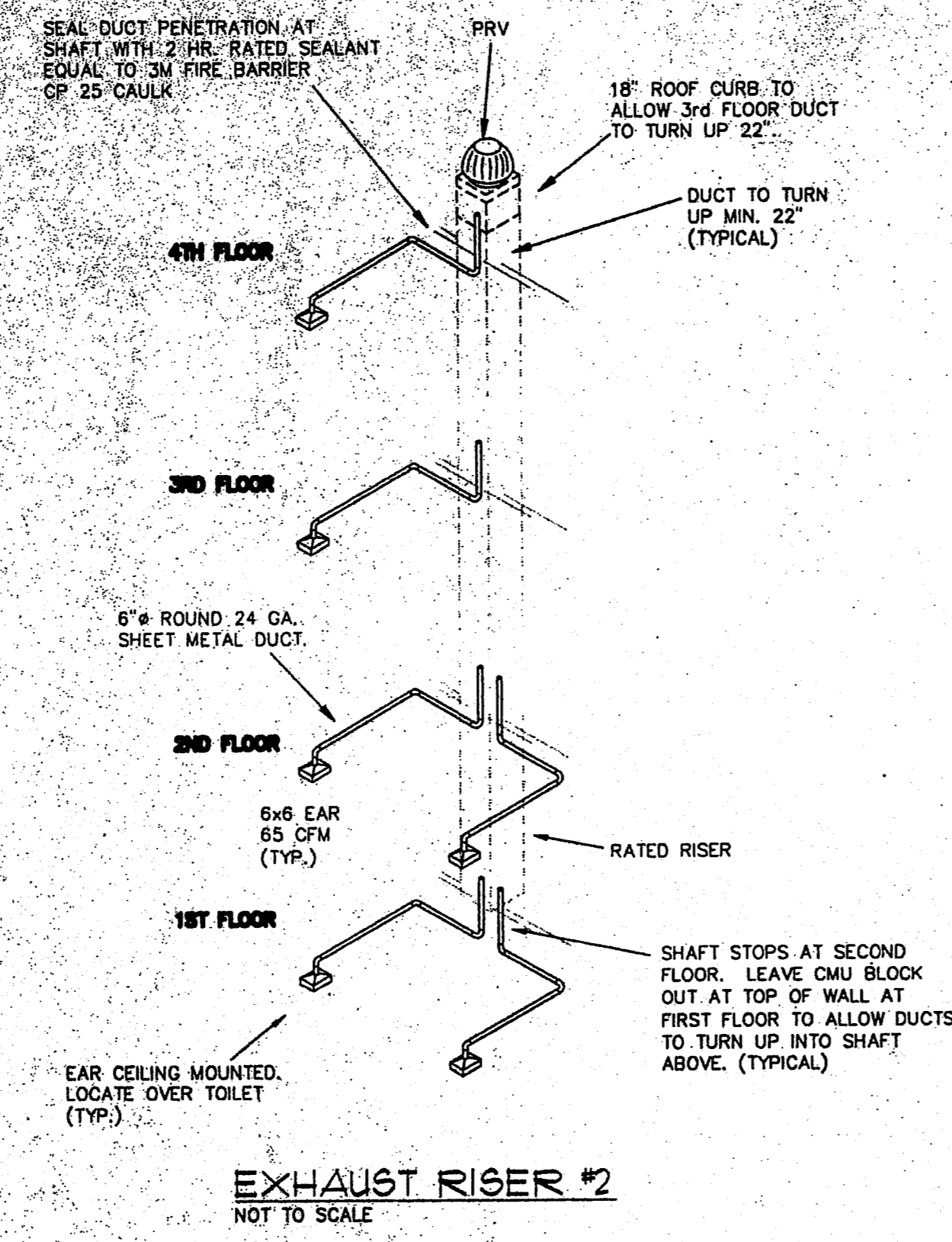
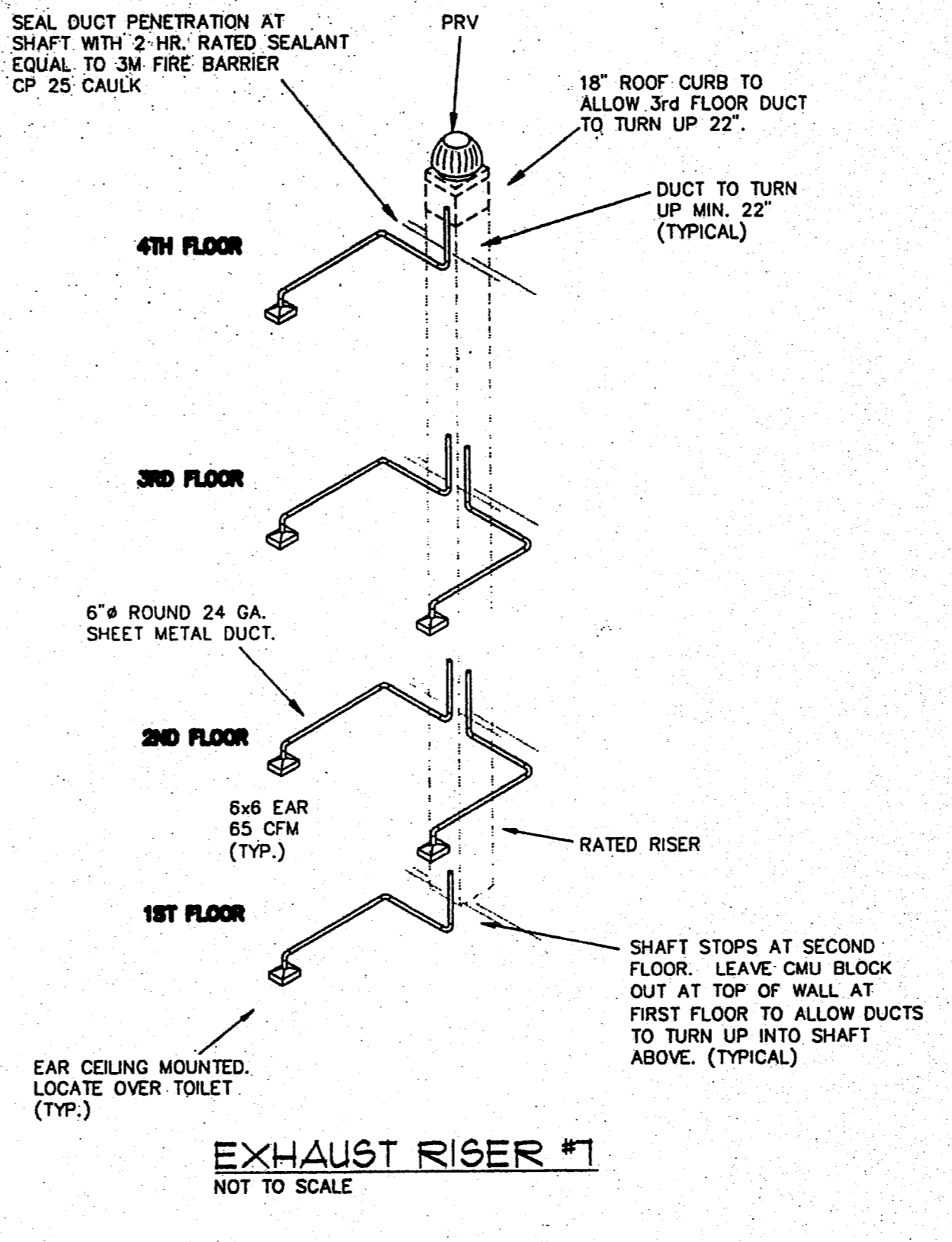


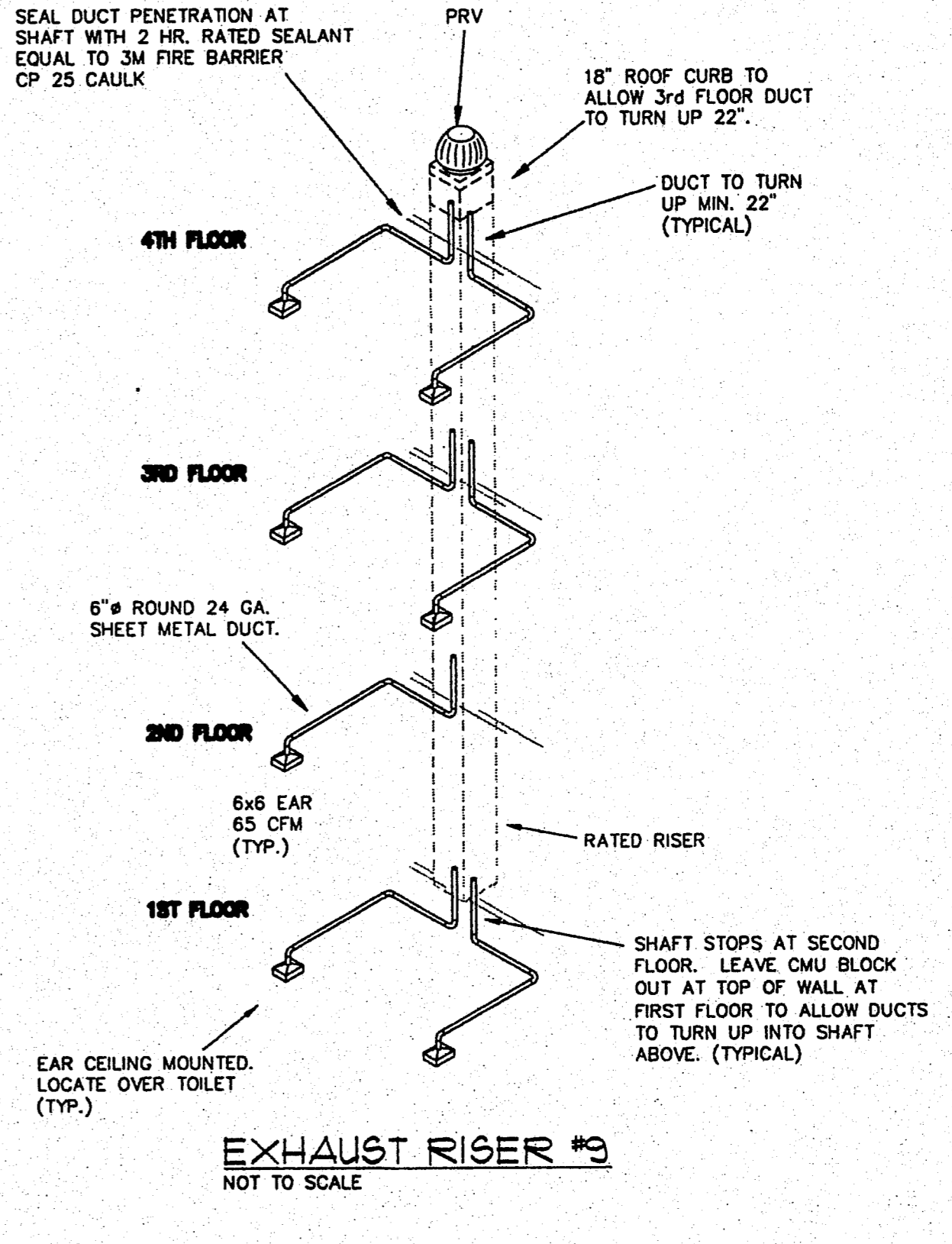
EXHAUST RISER #1
NOT TO SCALE



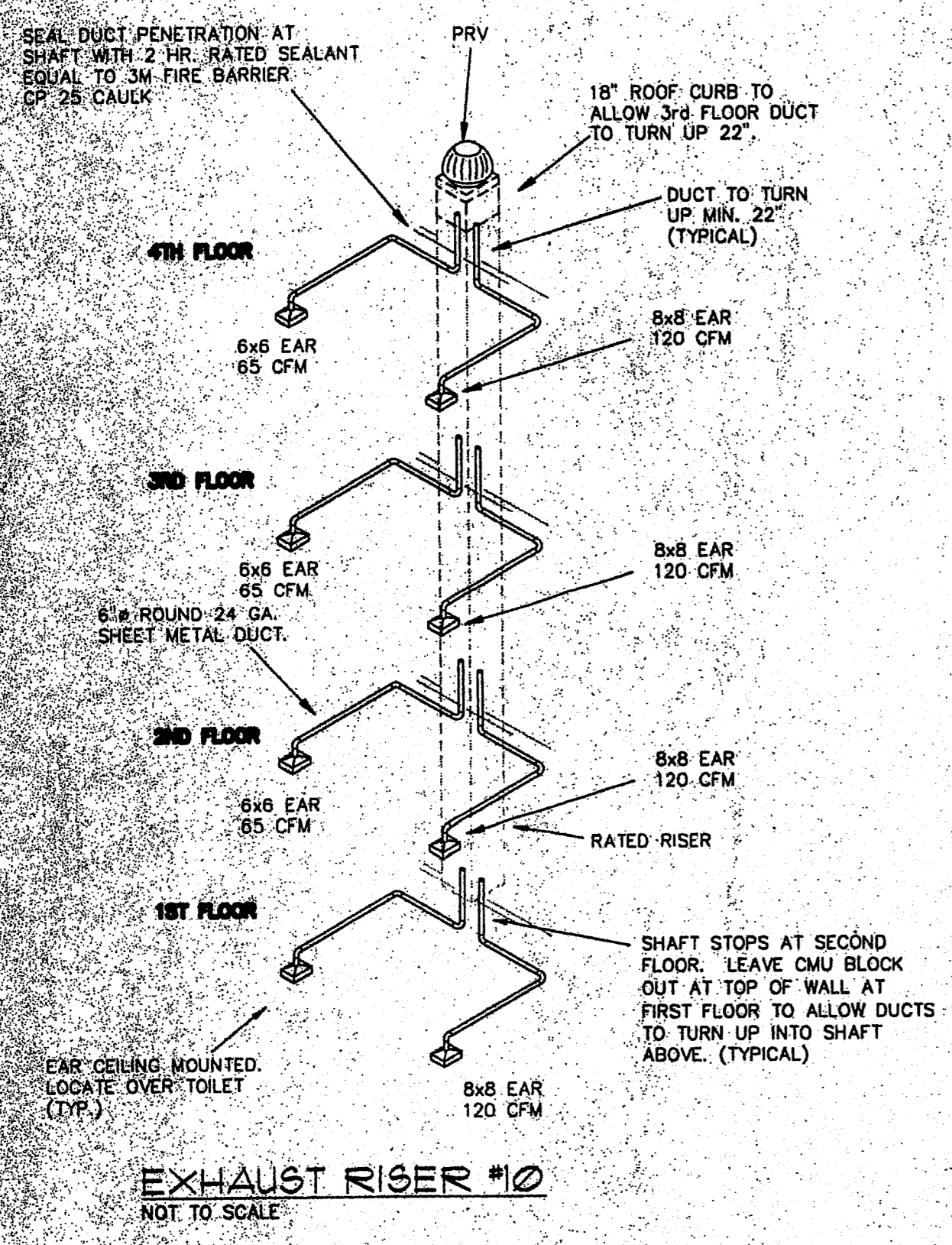
EXHAUST RISER #2
NOT TO SCALE



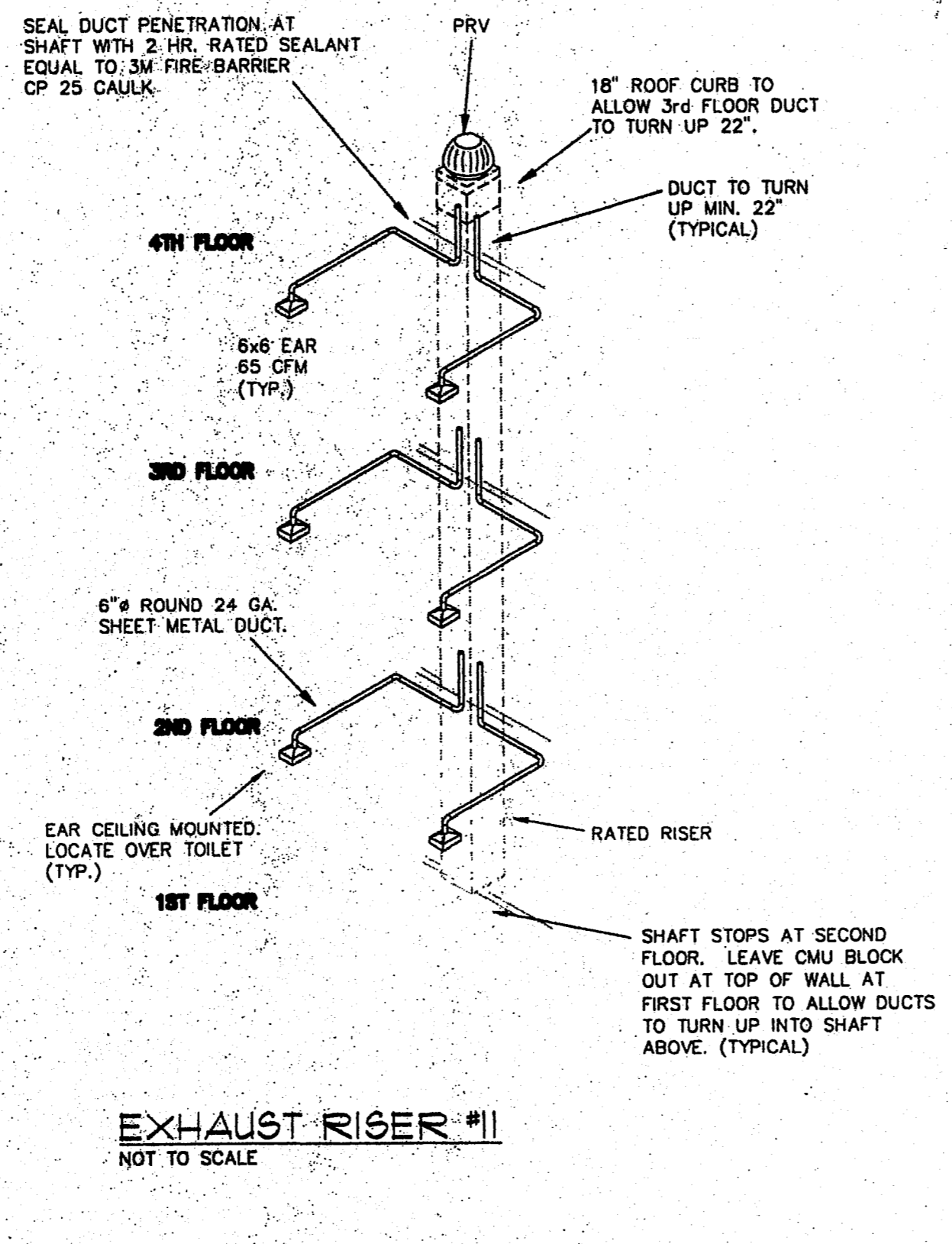
EXHAUST RISER #7
NOT TO SCALE



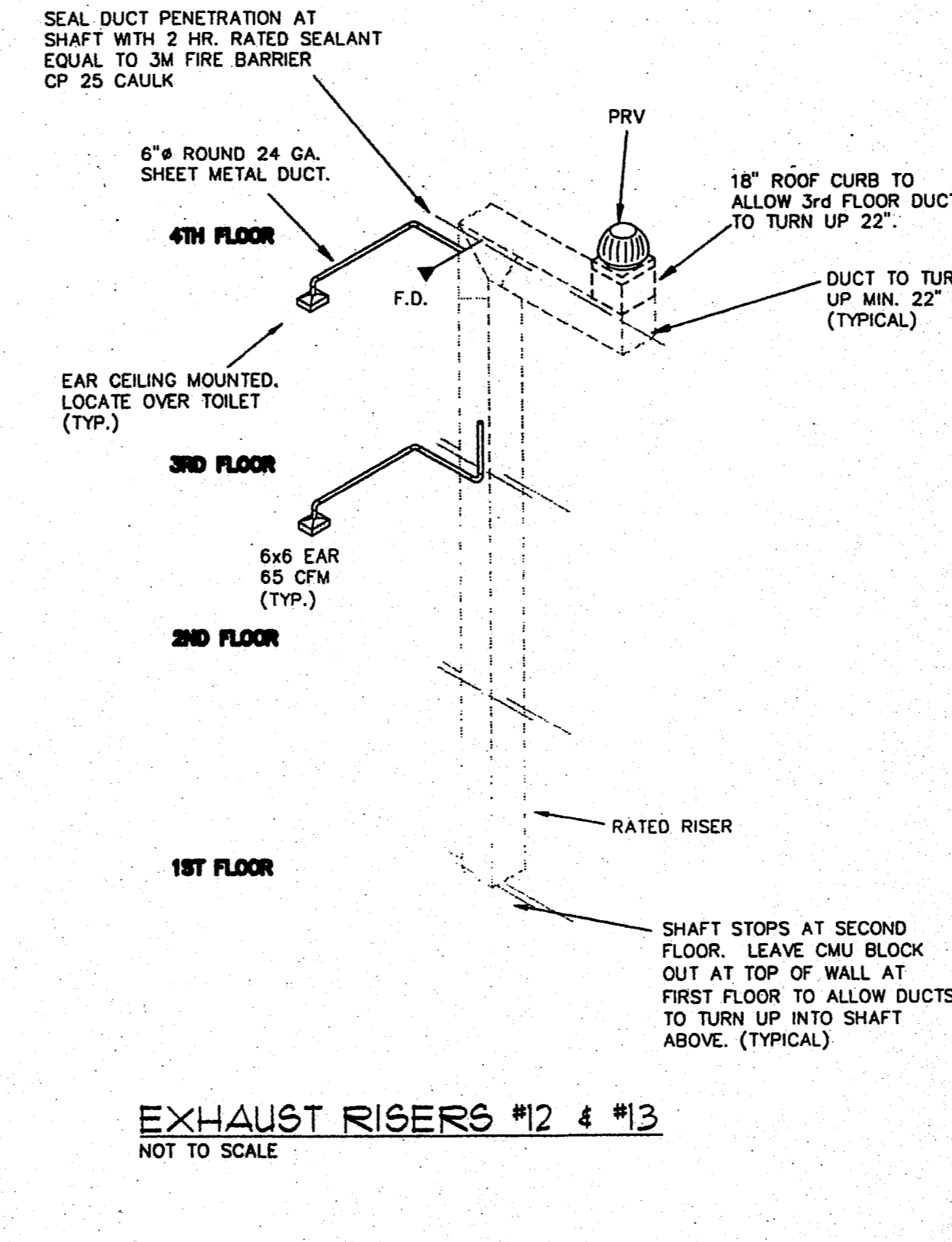
EXHAUST RISER #9
NOT TO SCALE



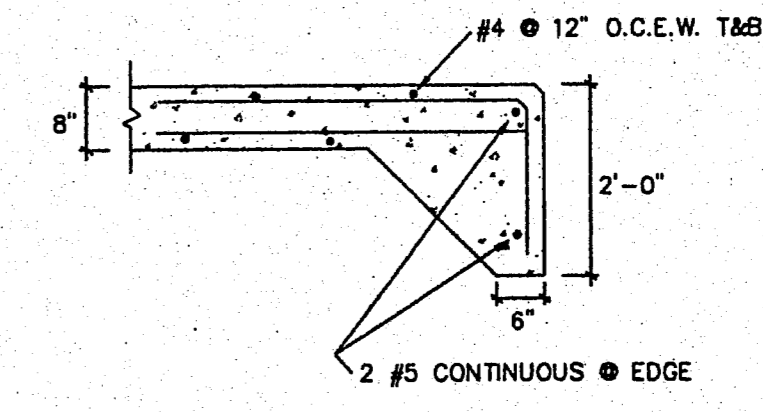
EXHAUST RISER #10
NOT TO SCALE



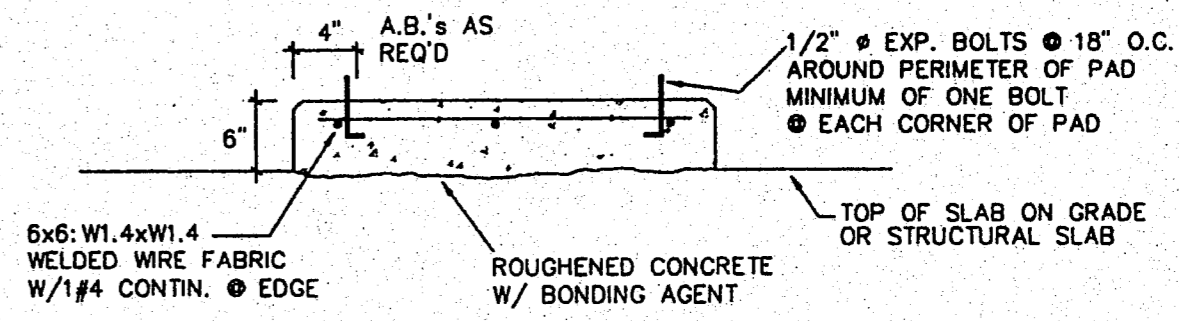
EXHAUST RISER #11
NOT TO SCALE



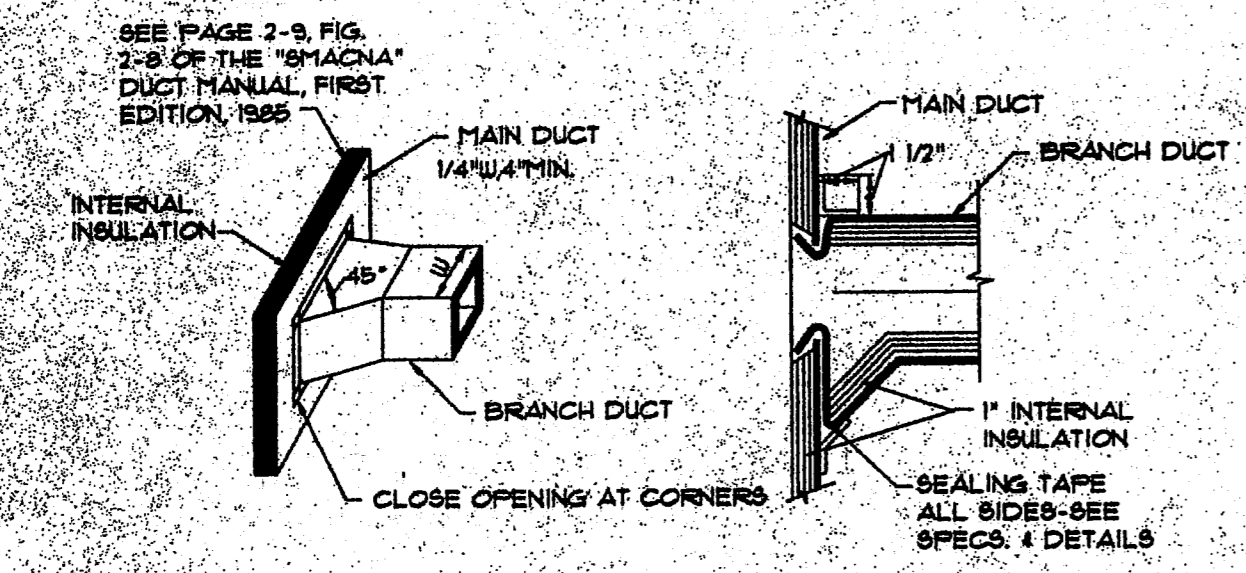
EXHAUST RISERS #12 & #13
NOT TO SCALE



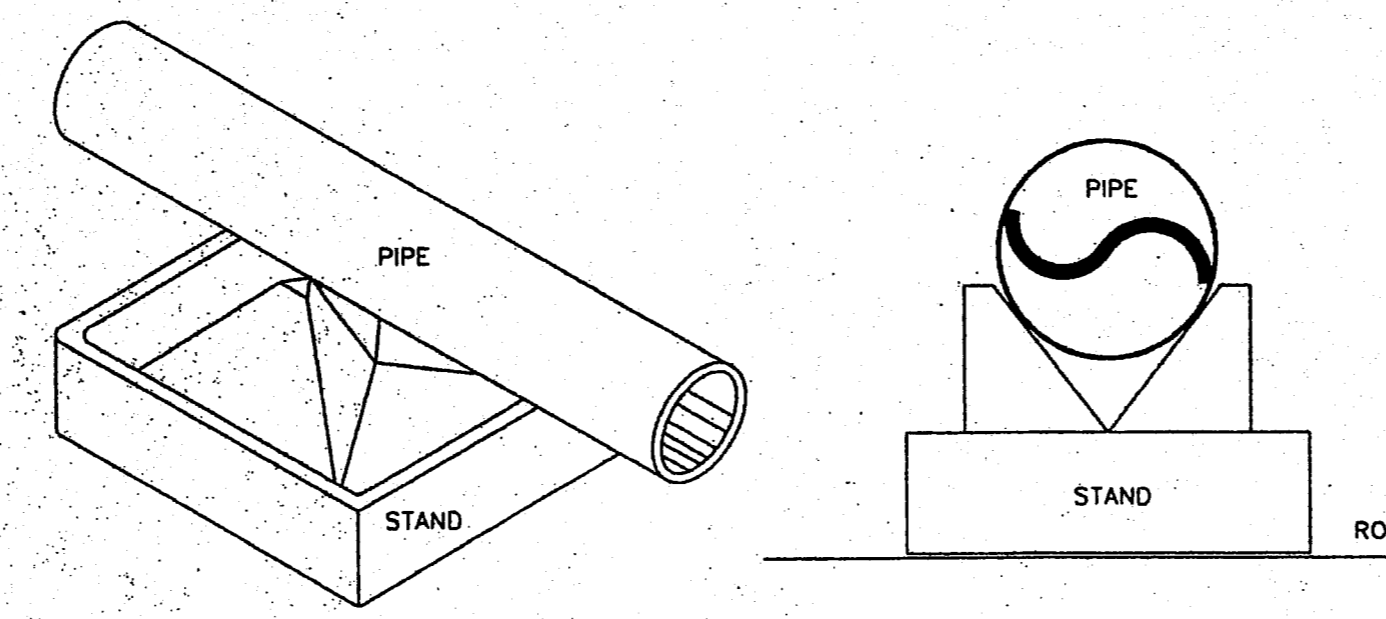
CONCRETE PAD AT WCM
NOT TO SCALE



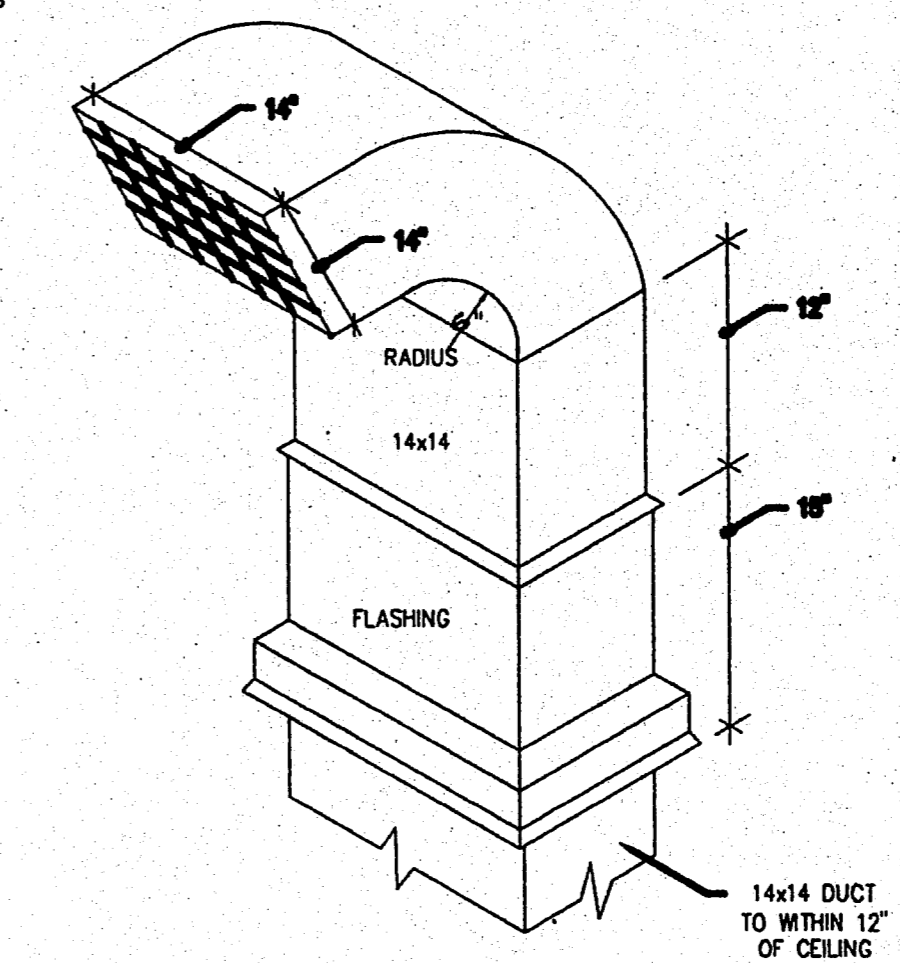
HOUSEKEEPING PAD
NOT TO SCALE



TYPICAL LOW PRESSURE BRANCH DUCT TAKE-OFF CONNECTION
NOT TO SCALE



PIPE STAND EQUAL TO MIRO INDUSTRIES MODEL 02 THRU 48R TO BE PLACED EVERY 12' AND AT EACH TURN.
COLEMAN PARTNERS
PHONE NUMBER - (901) 386-3106
PILLOW BLOCK PIPE STAND DETAIL
NOT TO SCALE



GOOSENECK COMB. AIR INTAKE
NOT TO SCALE

LLW, Inc.
803 SOUTH MT. MORIAH, SUITE 100B
MEMPHIS, TENNESSEE 3817-5343
901-683-7175/FAX 901-683-2885
LEONARD MESSINA, ARCHITECT

revisions:
OWNER REVIEW 8-21-91
CHG TO PRECAST 8-8-91

seal:

Sleep Inn
Jackson, Mississippi

title:
DETAILS

date: 10-14-91
job: 1697
file: 1697-A2.3
scale: 1/8" = 1'-0"

CONSULTANT
GE
Gata Engineering Inc.
7975 STAGE HILLS BLVD.
SUITE 5
MEMPHIS, TN. 38133
TEL. (901) 384-8400
FAX (901) 373-2255

sheet
M-6