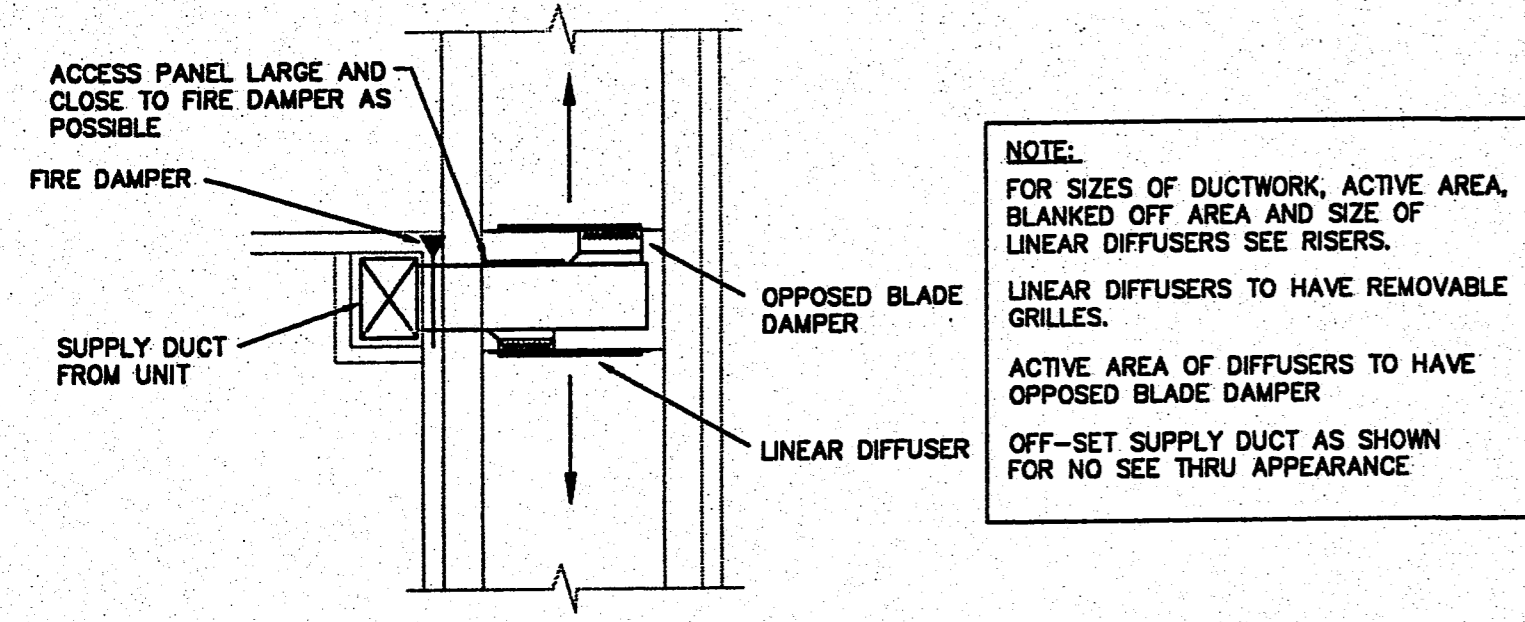
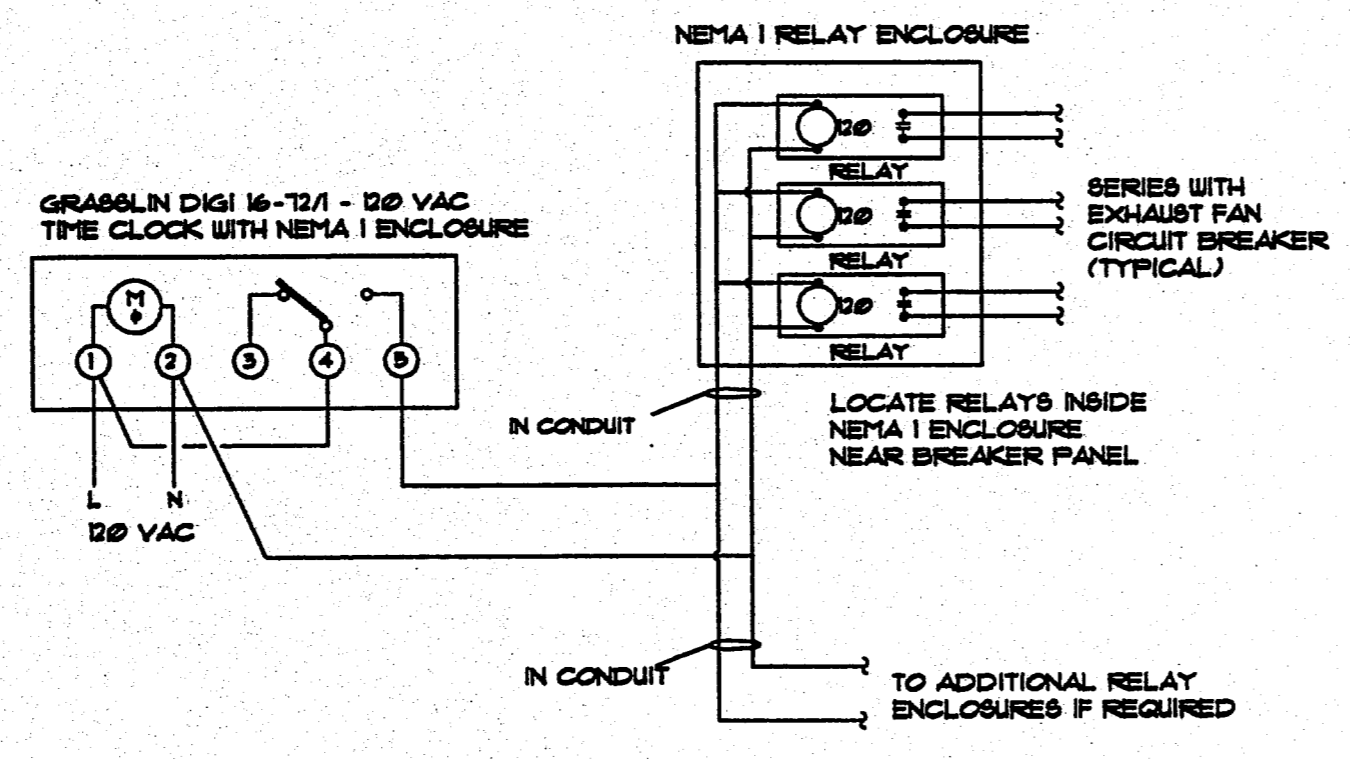


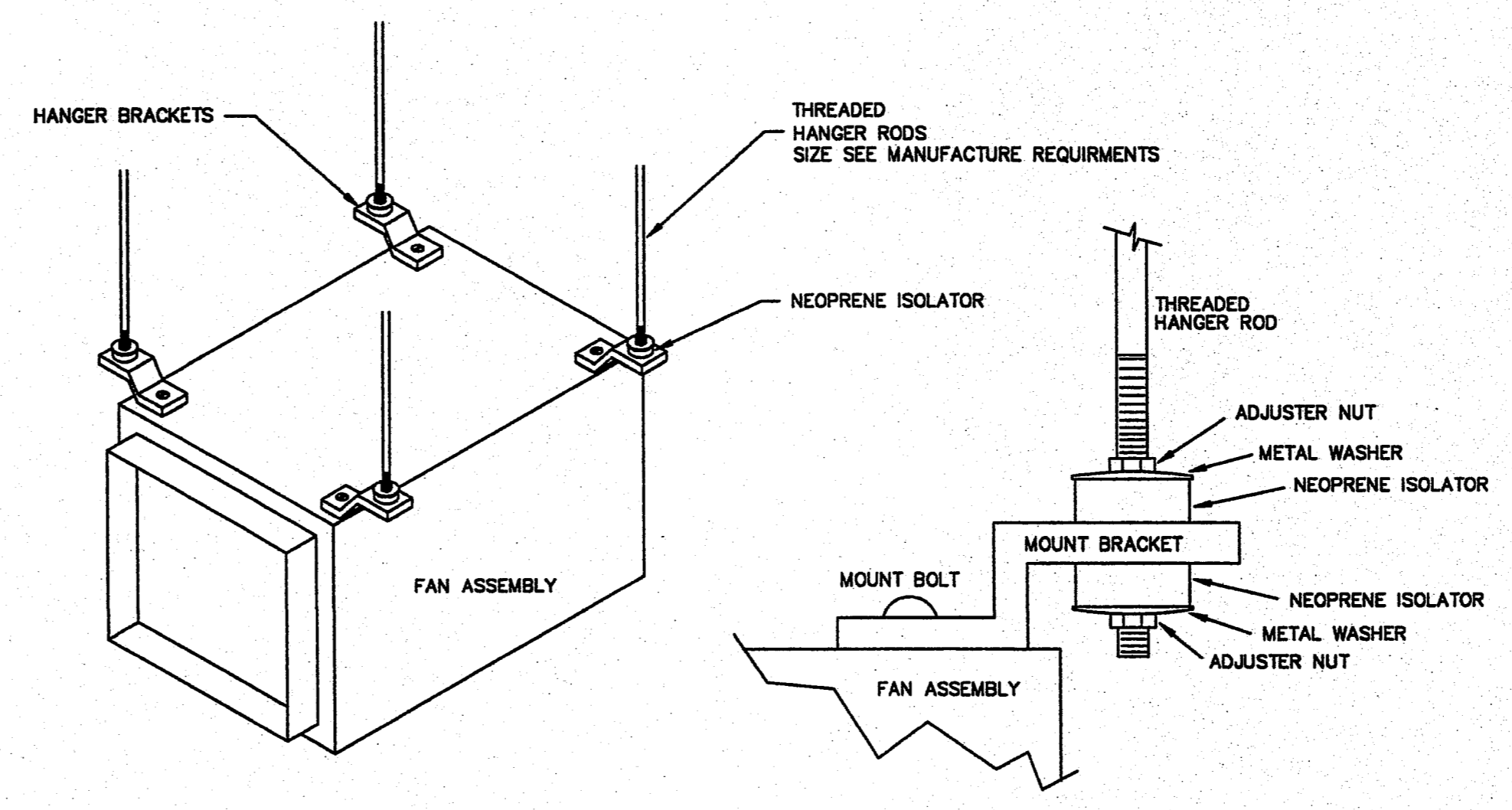
DIFFUSER CONNECTION DETAIL
 NOT TO SCALE



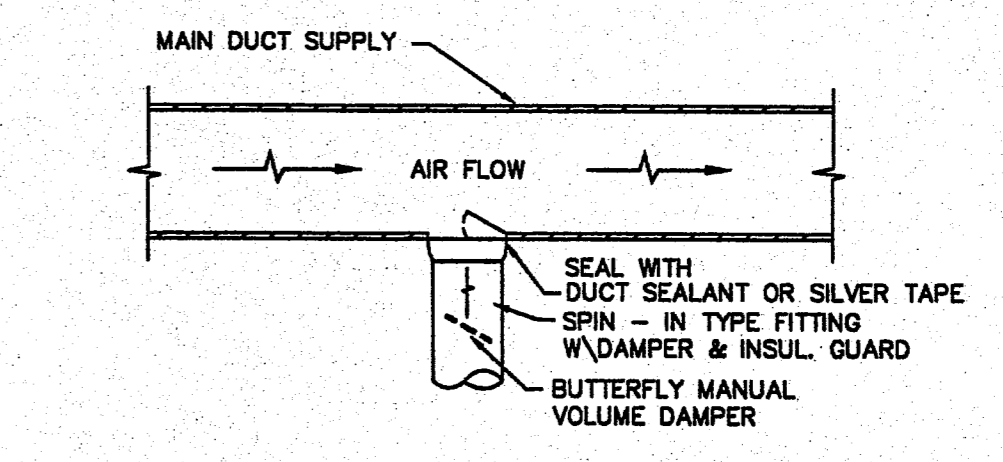
TYPICAL CORRIDOR SUPPLY DETAIL
 NOT TO SCALE



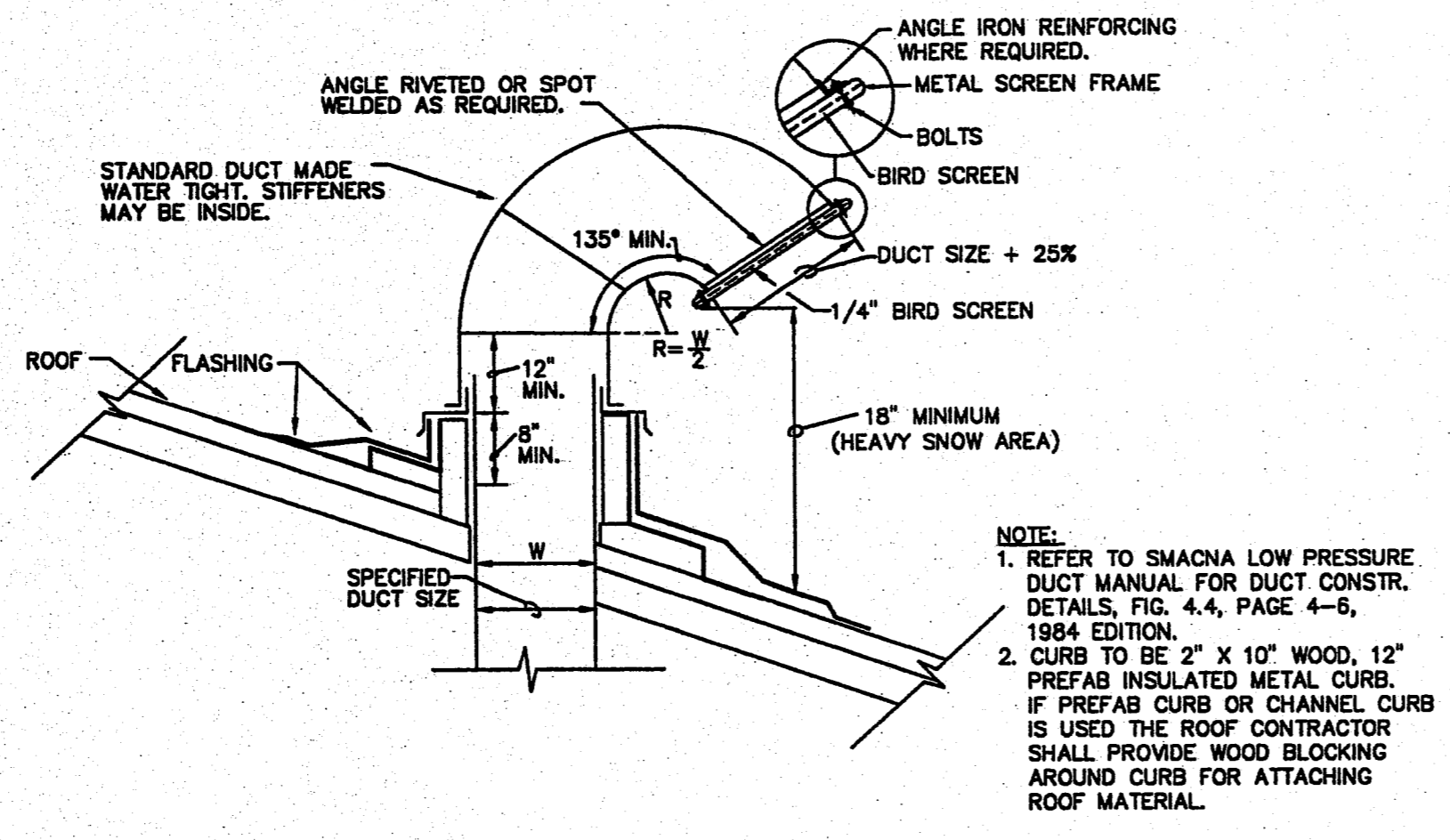
EXHAUST FAN TIMER WIRING DETAIL
 NOT TO SCALE



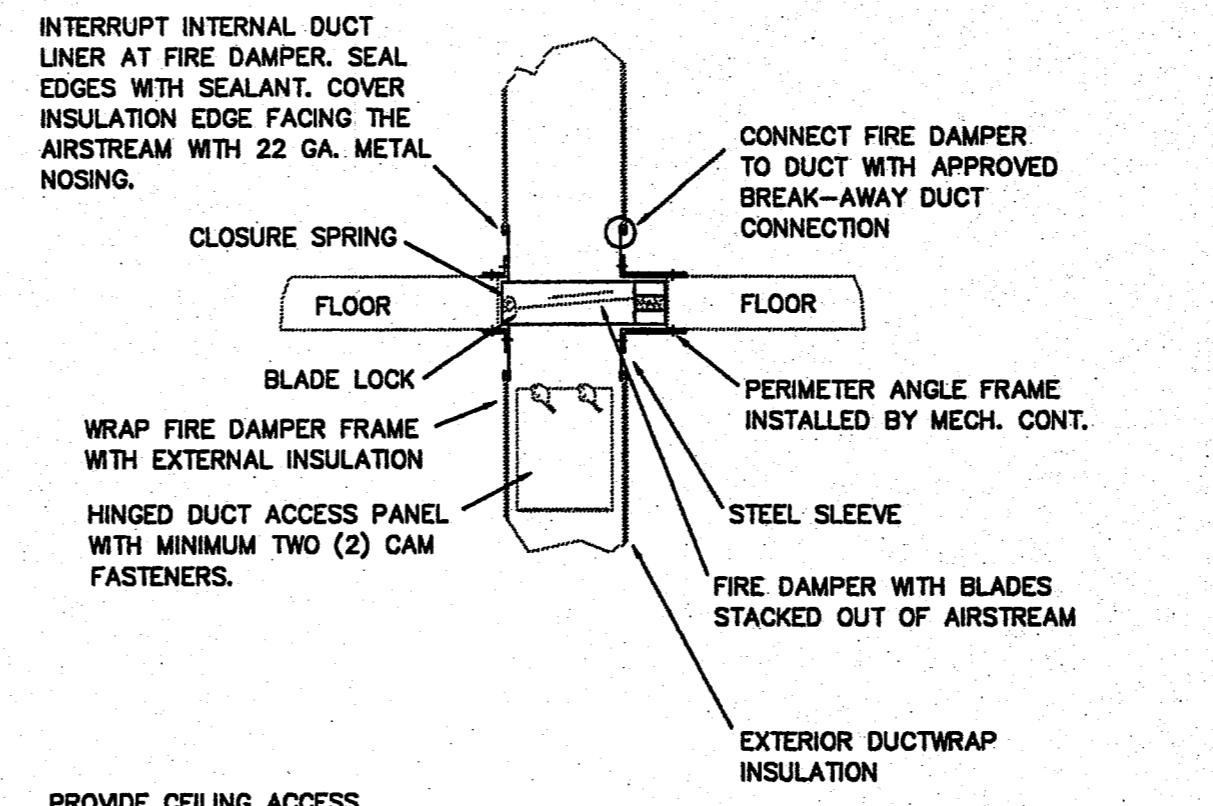
NEOPRENE HANGING ISOLATOR
 NOT TO SCALE



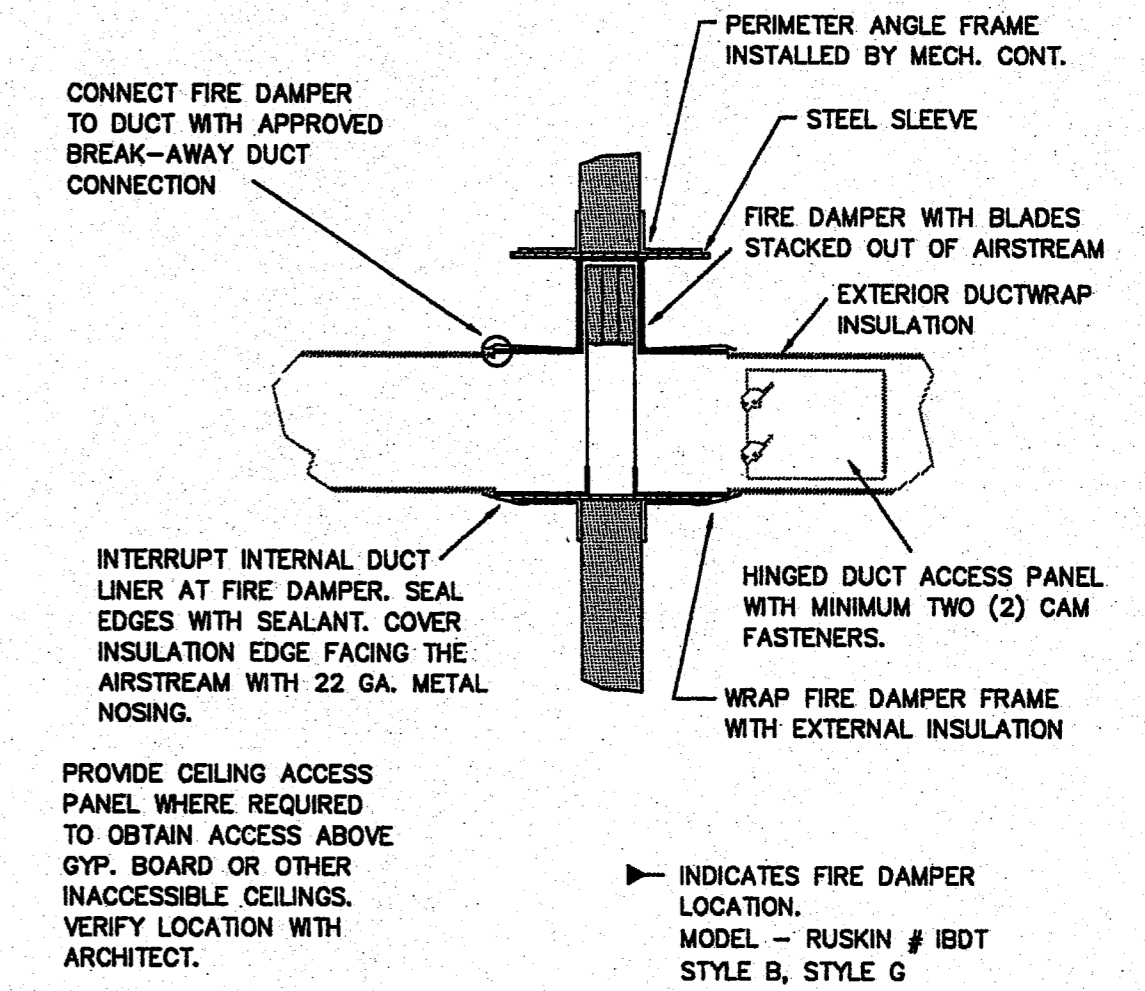
RECTANGULAR TO ROUND DUCT TAKE-OFF DETAIL (TYP.)
 NOT TO SCALE



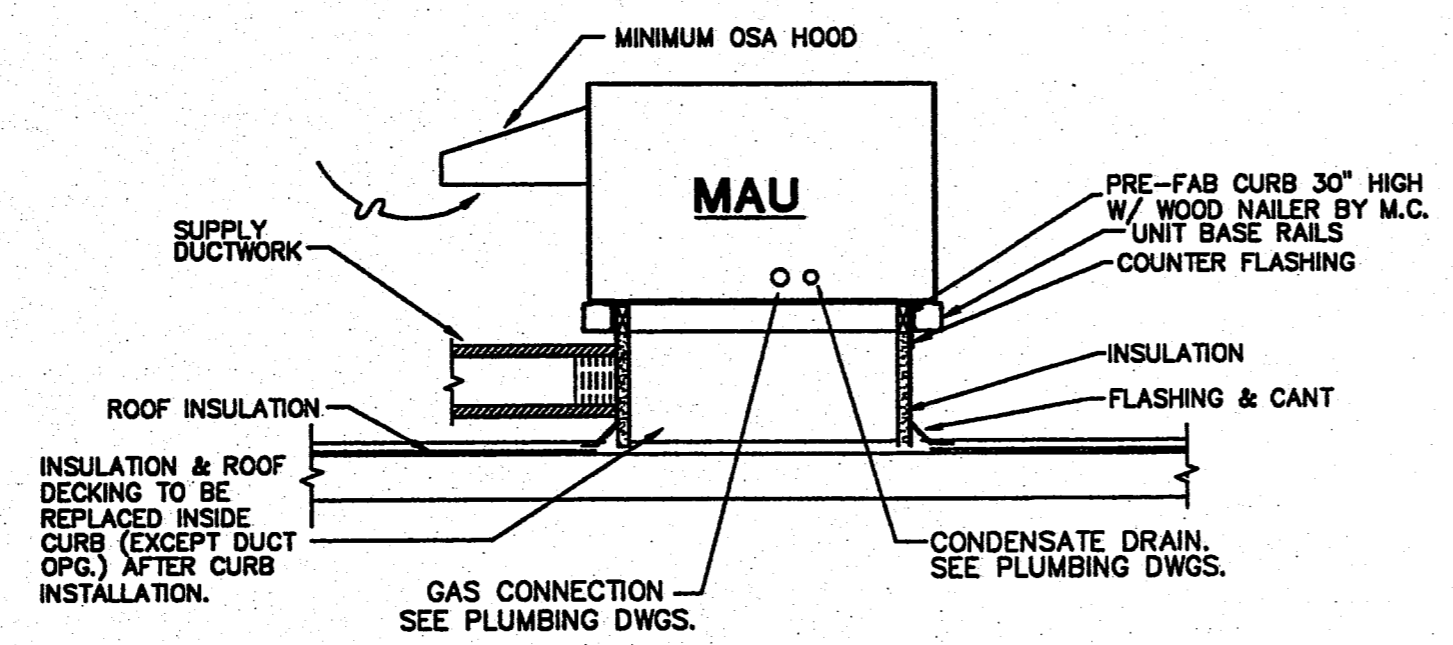
GOOSENECK DETAIL
 NOT TO SCALE



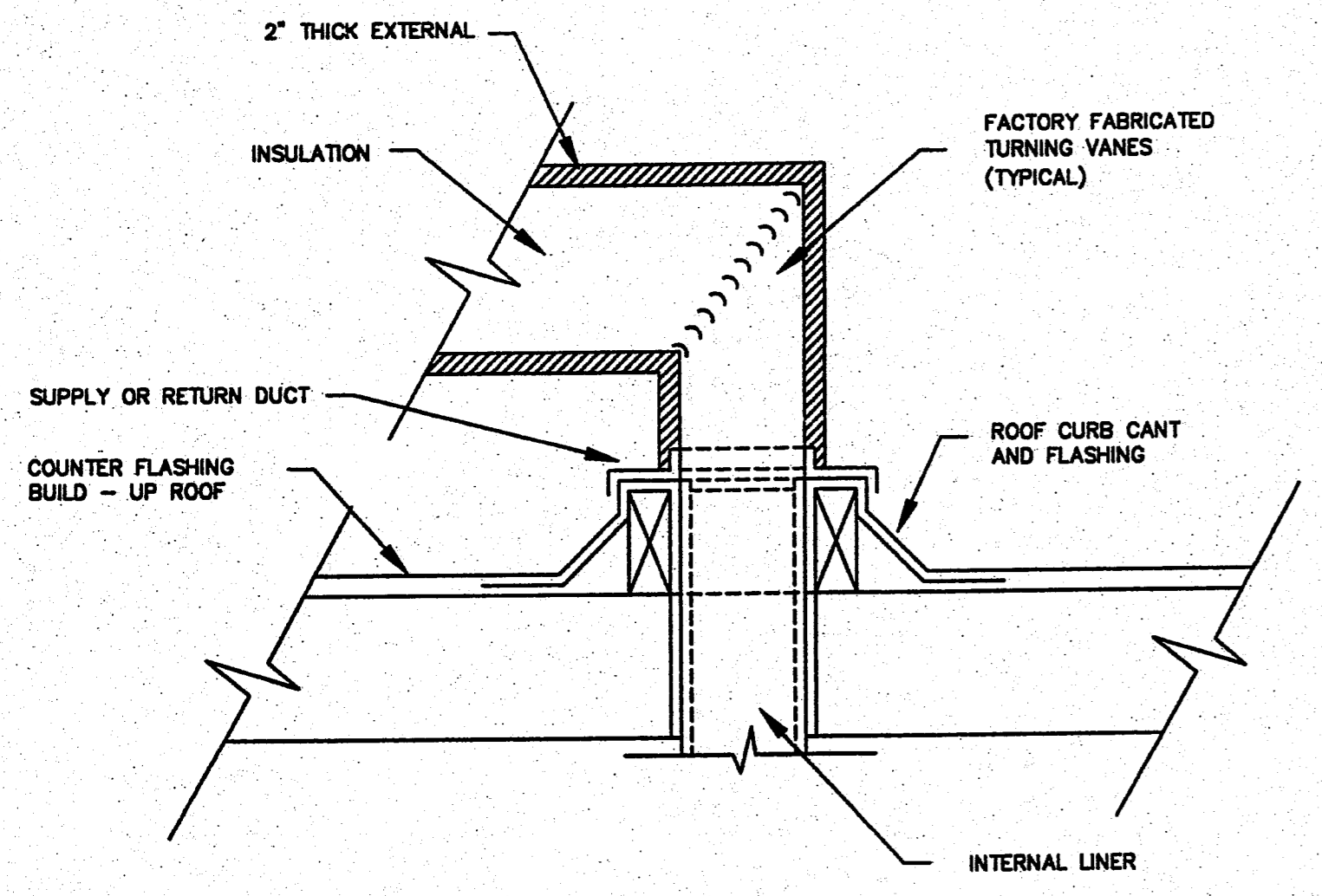
FLOOR MOUNTED FIRE DAMPER DETAIL
 NOT TO SCALE



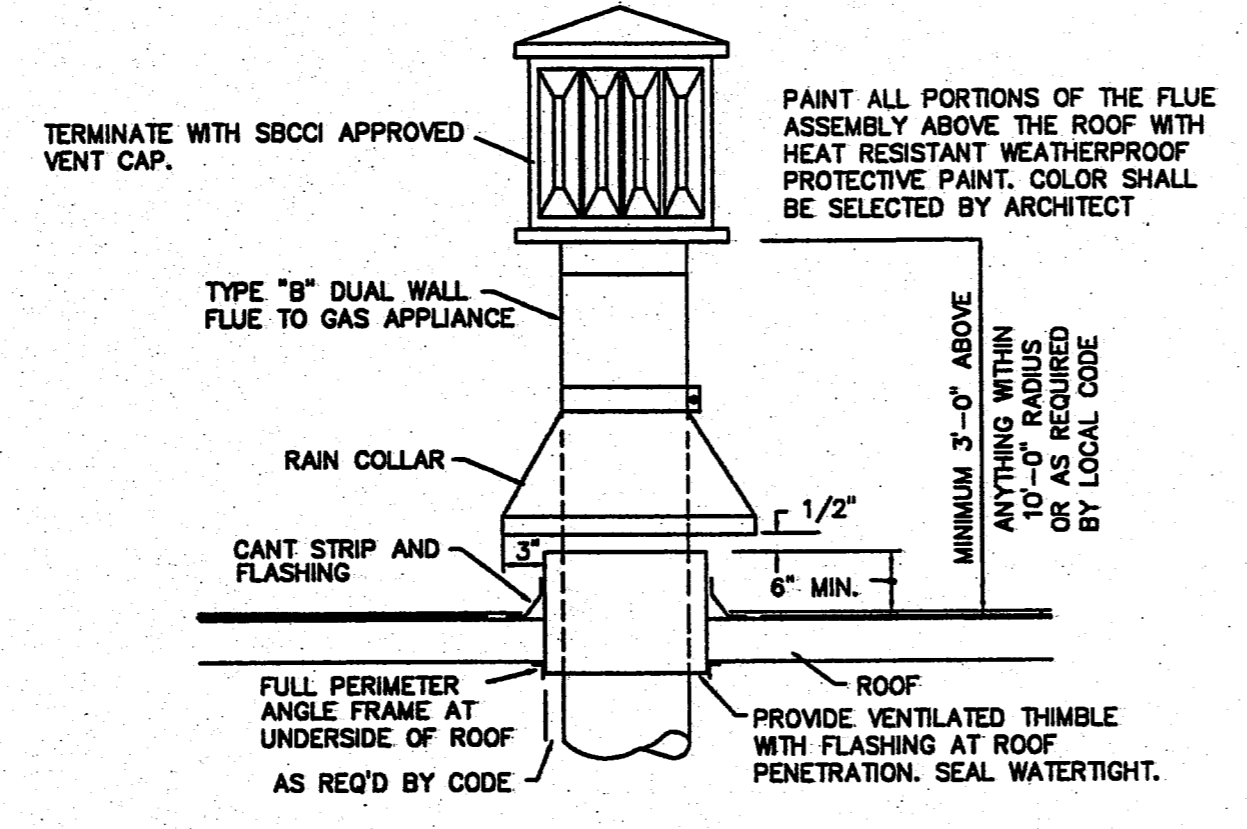
FIRE DAMPER DETAIL
 NOT TO SCALE



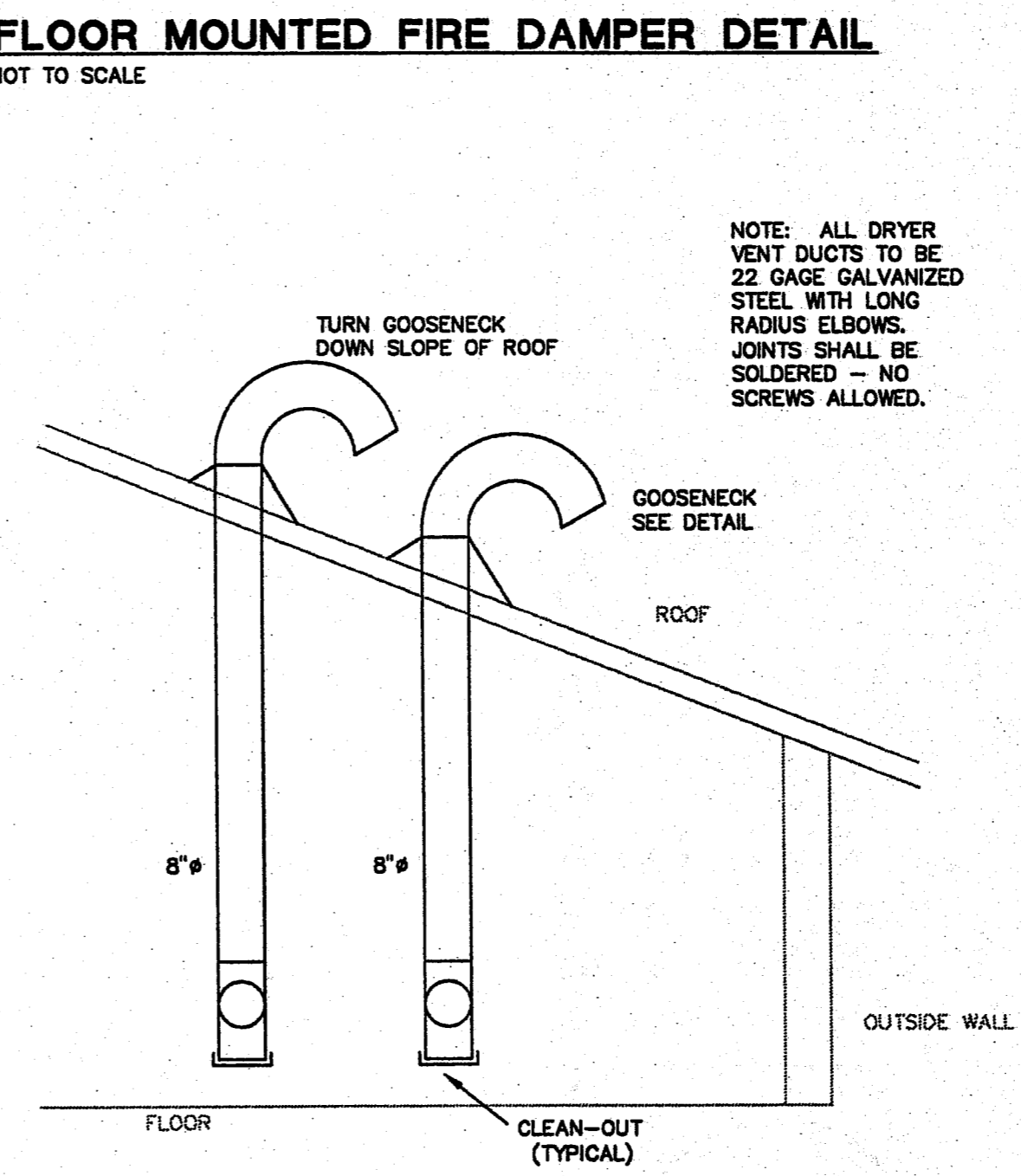
MAU MOUNTING DETAIL (TYP.)
 NOT TO SCALE



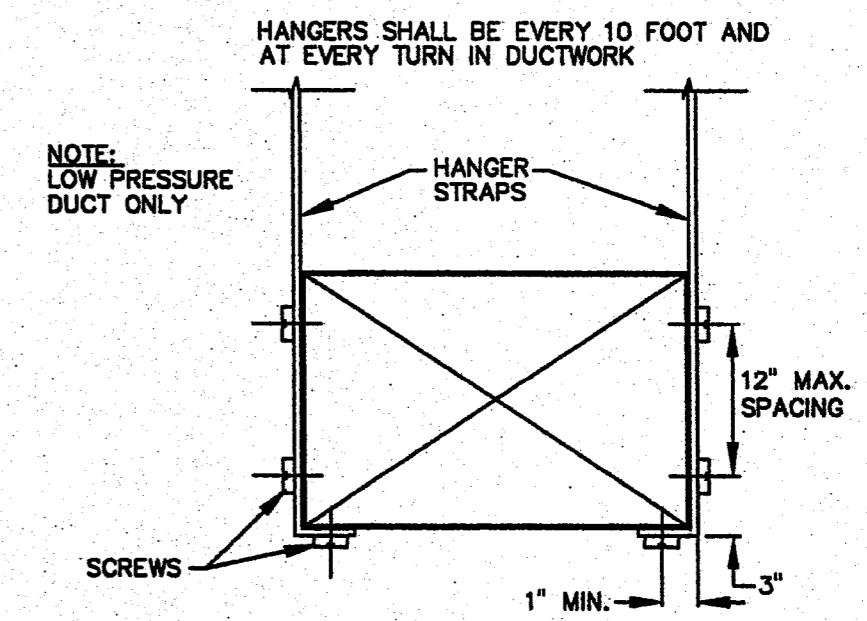
DUCT PENETRATION DETAIL AT ROOF
 NOT TO SCALE



FLUE DETAIL
 NOT TO SCALE



DRYER VENT DETAIL
 NOT TO SCALE



(TYPICAL) DUCT HANGER STRAP DETAIL
 NOT TO SCALE

CONSULTANT
GE
Gala Engineering Inc.
 7975 STAGE HILLS BLVD.
 SUITE 5
 MEMPHIS, TN. 38133
 TEL. (901) 384-8400
 FAX (901) 373-2255