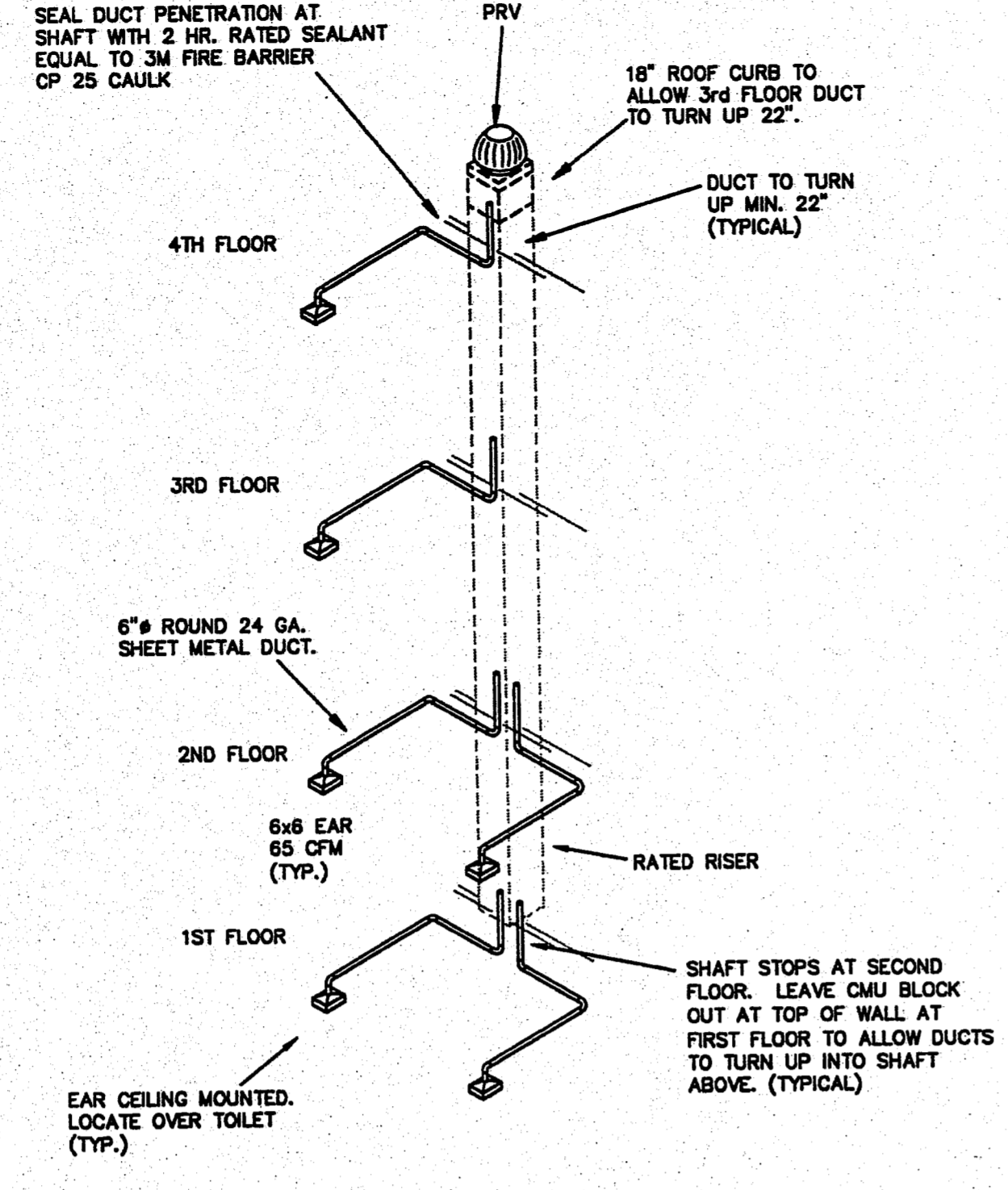
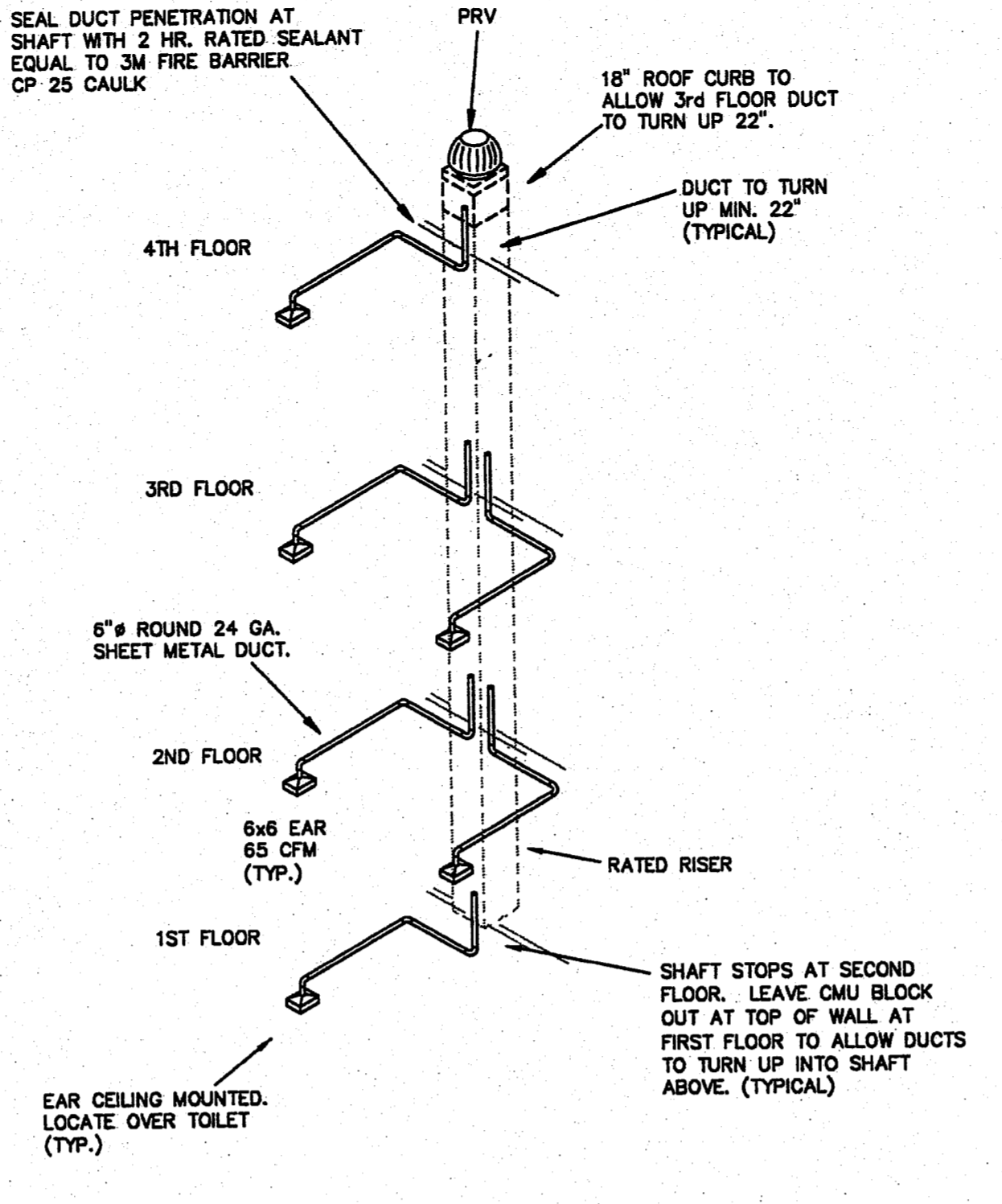


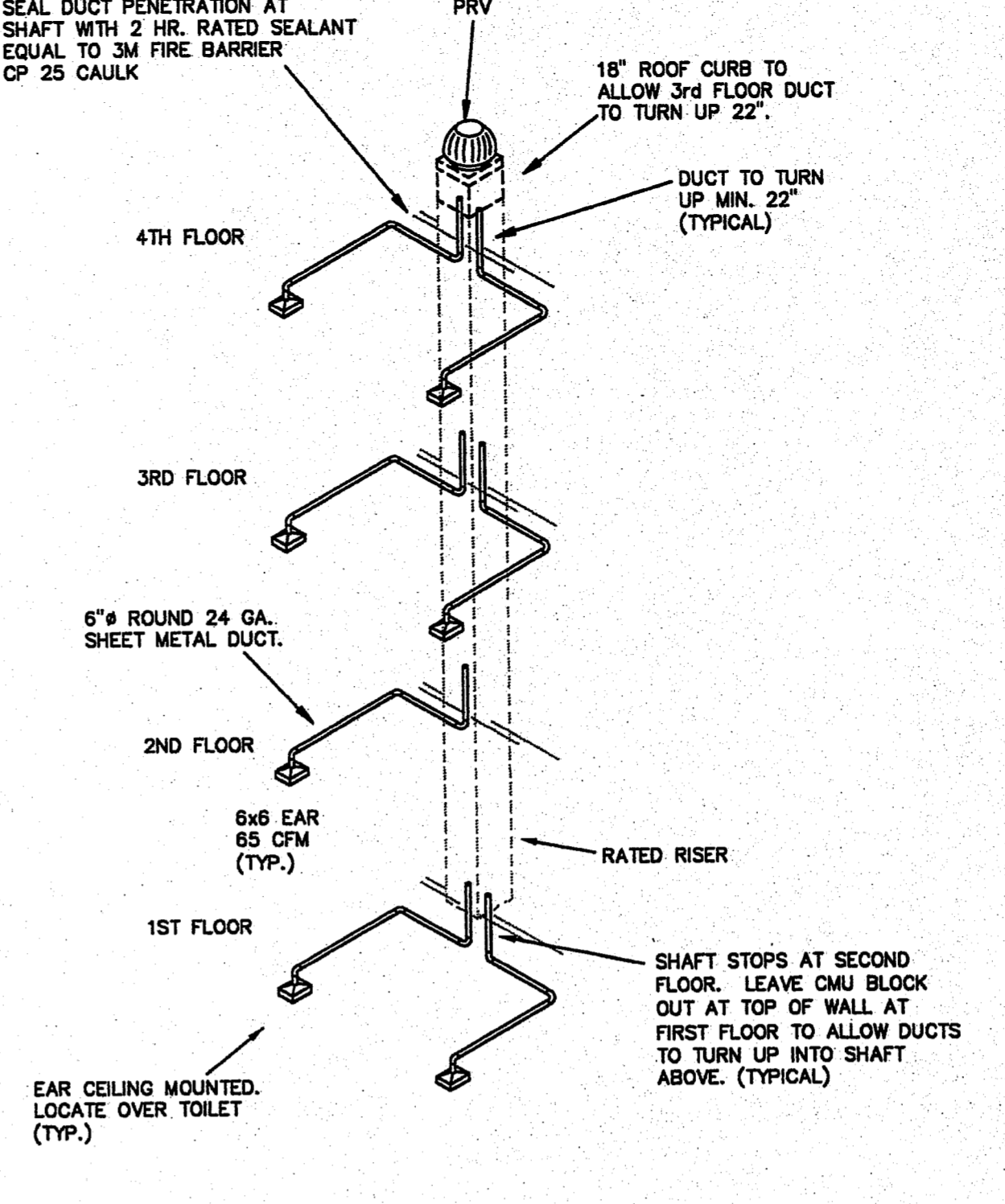
EXHAUST RISER #1
NOT TO SCALE



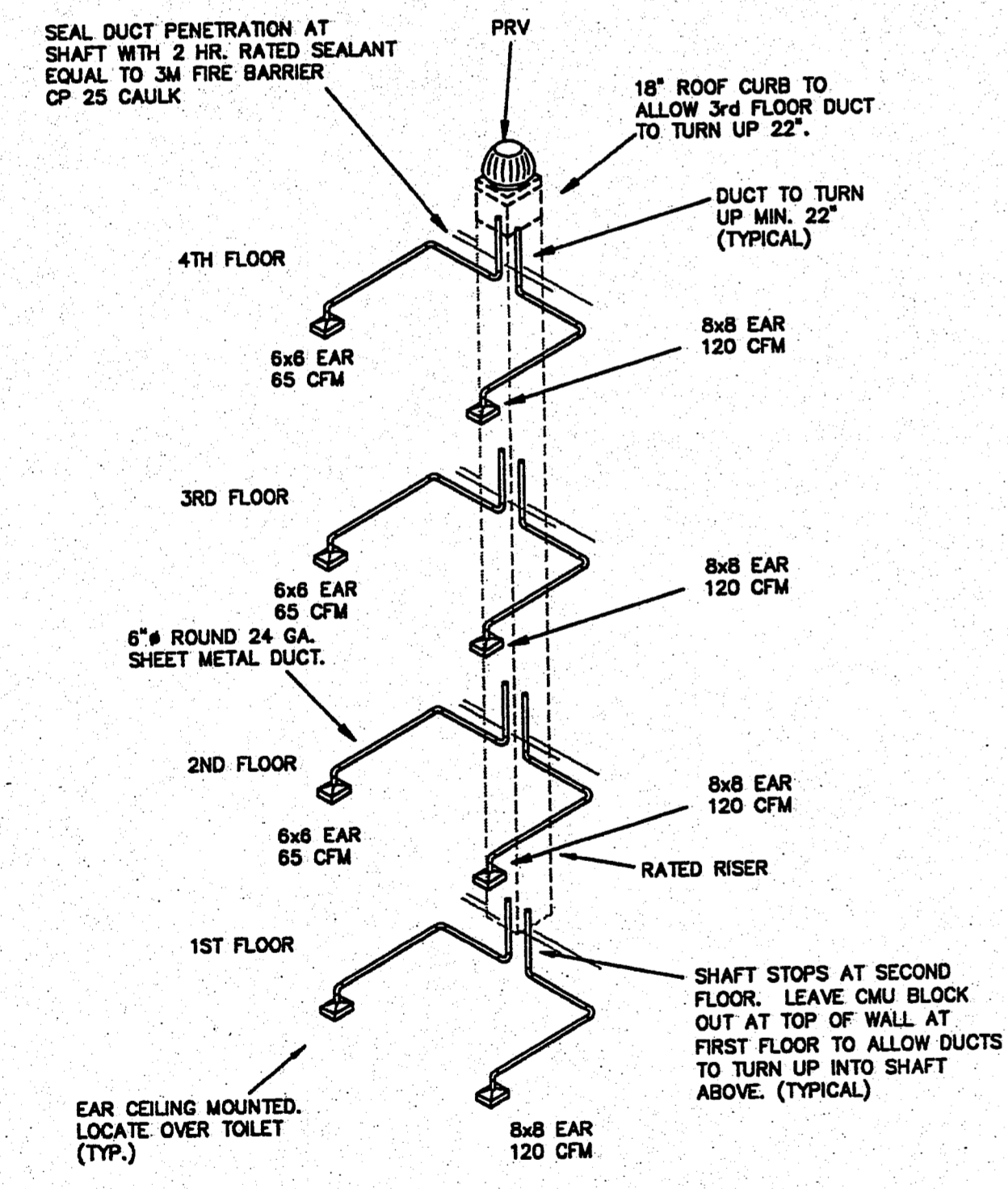
EXHAUST RISER #2
NOT TO SCALE



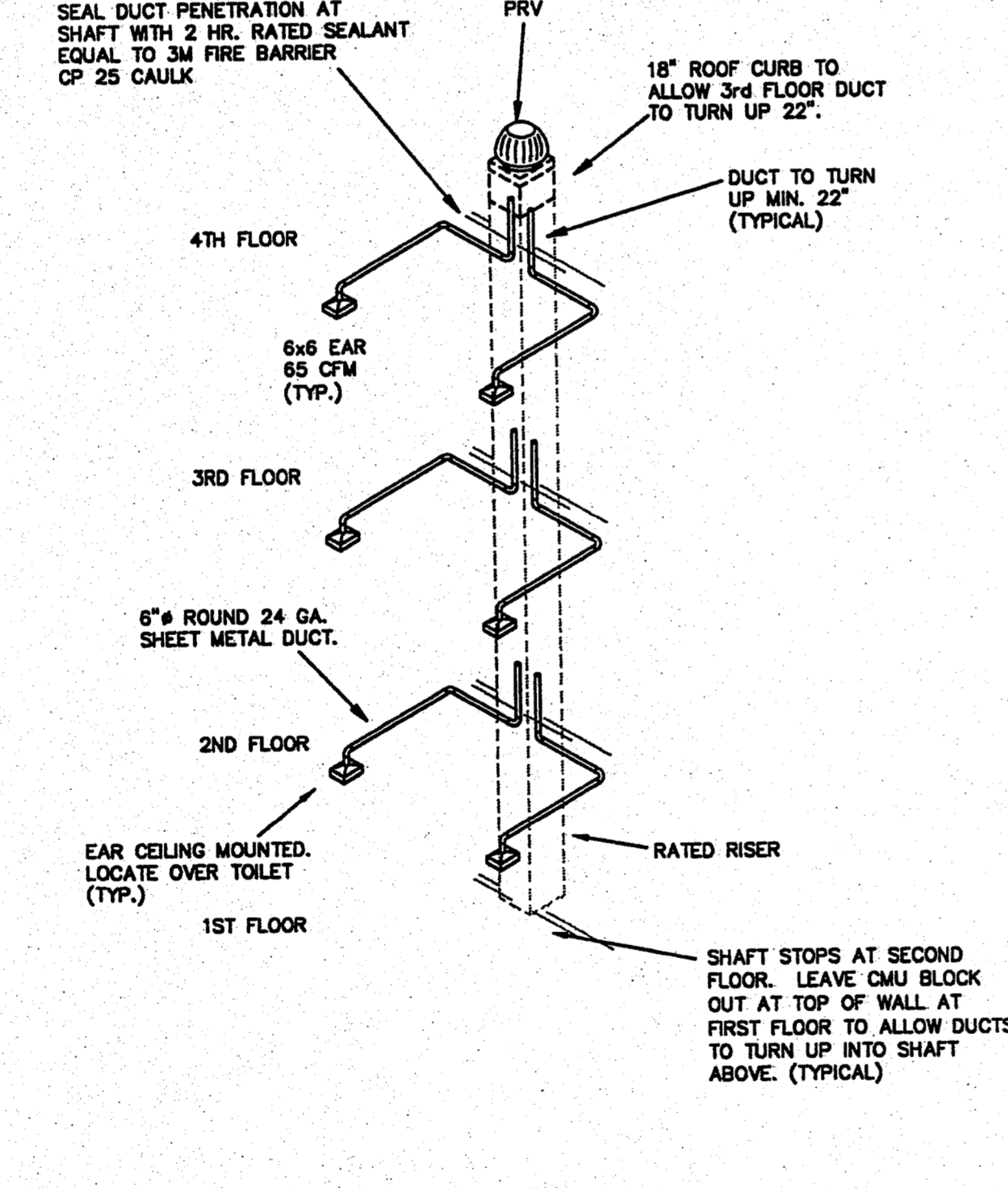
EXHAUST RISER #3
NOT TO SCALE



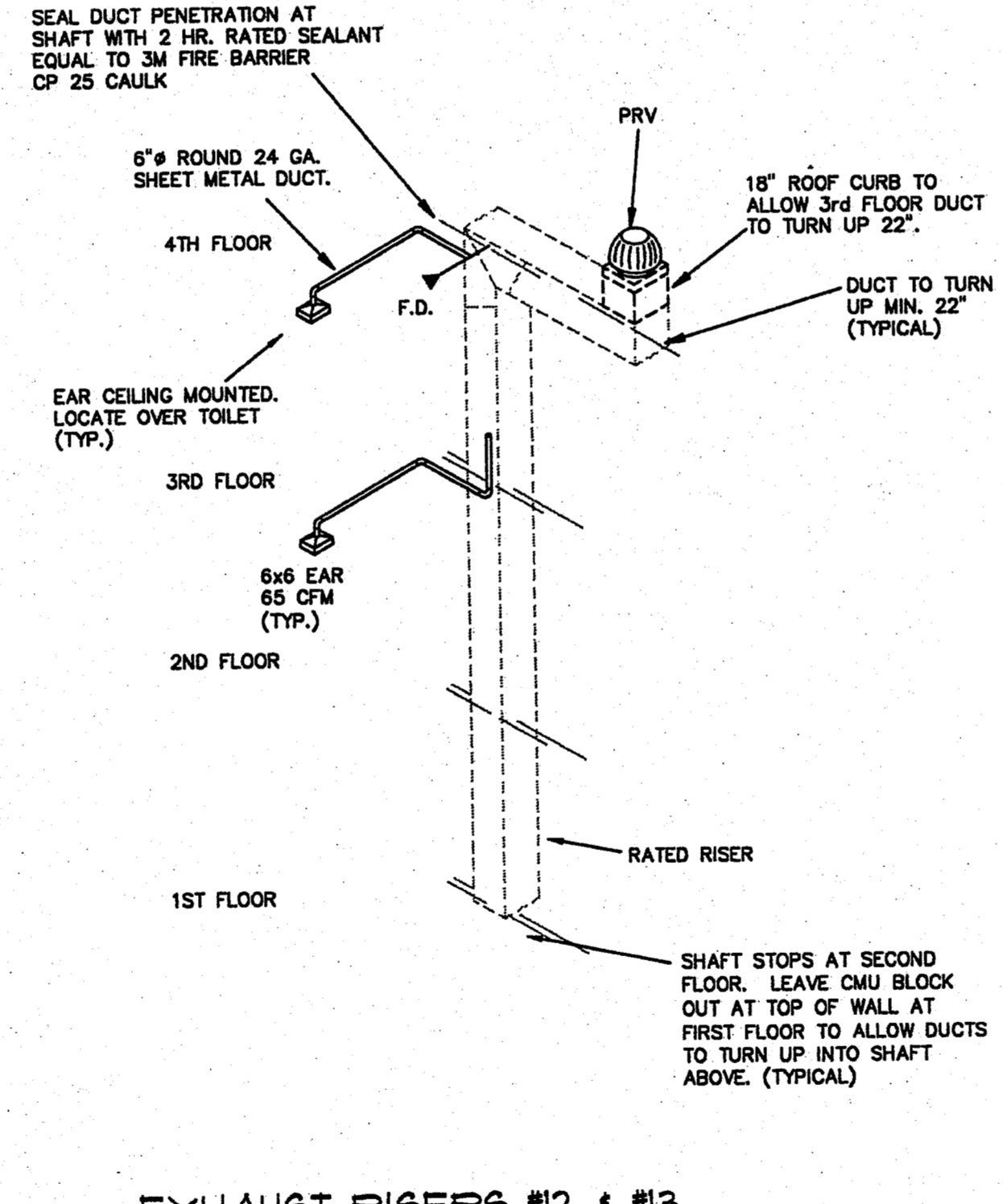
EXHAUST RISER #4
NOT TO SCALE



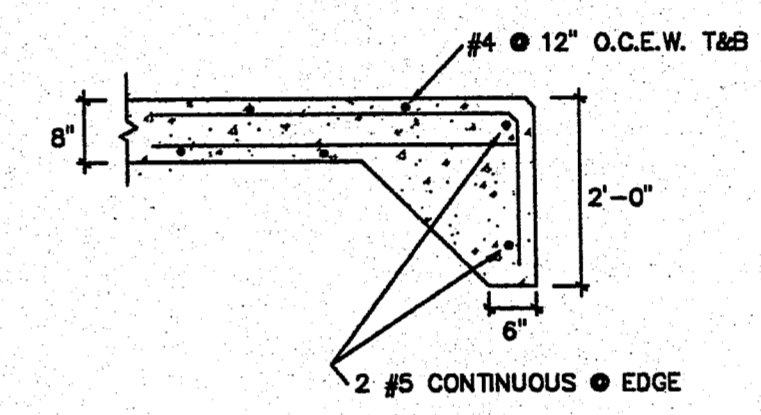
EXHAUST RISER #10
NOT TO SCALE



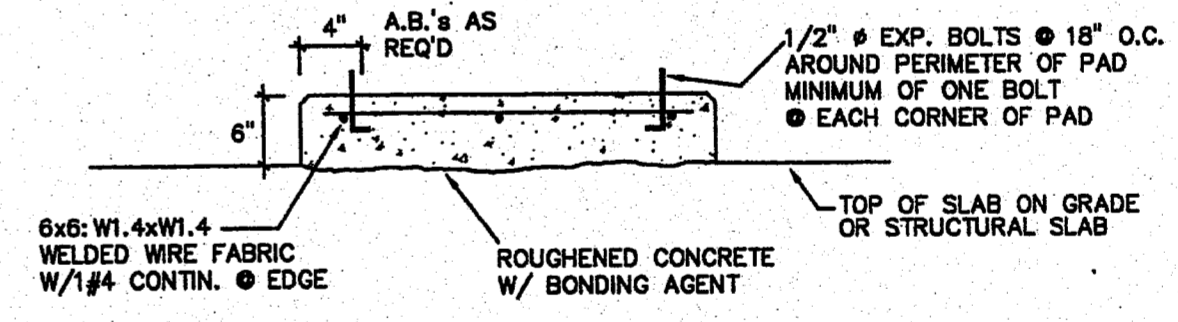
EXHAUST RISER #11
NOT TO SCALE



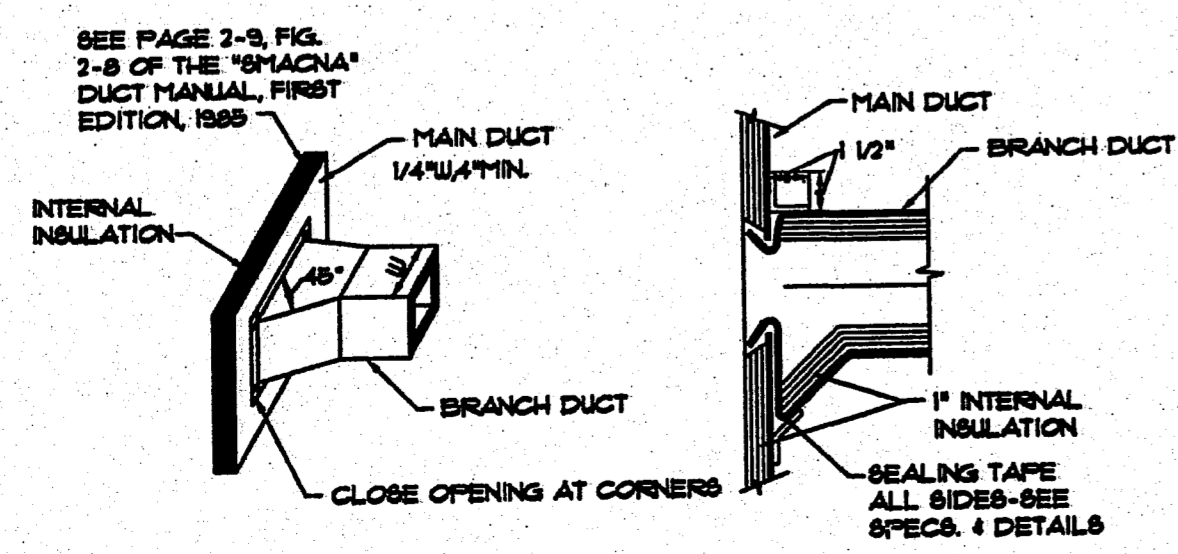
EXHAUST RISERS #12 & #13
NOT TO SCALE



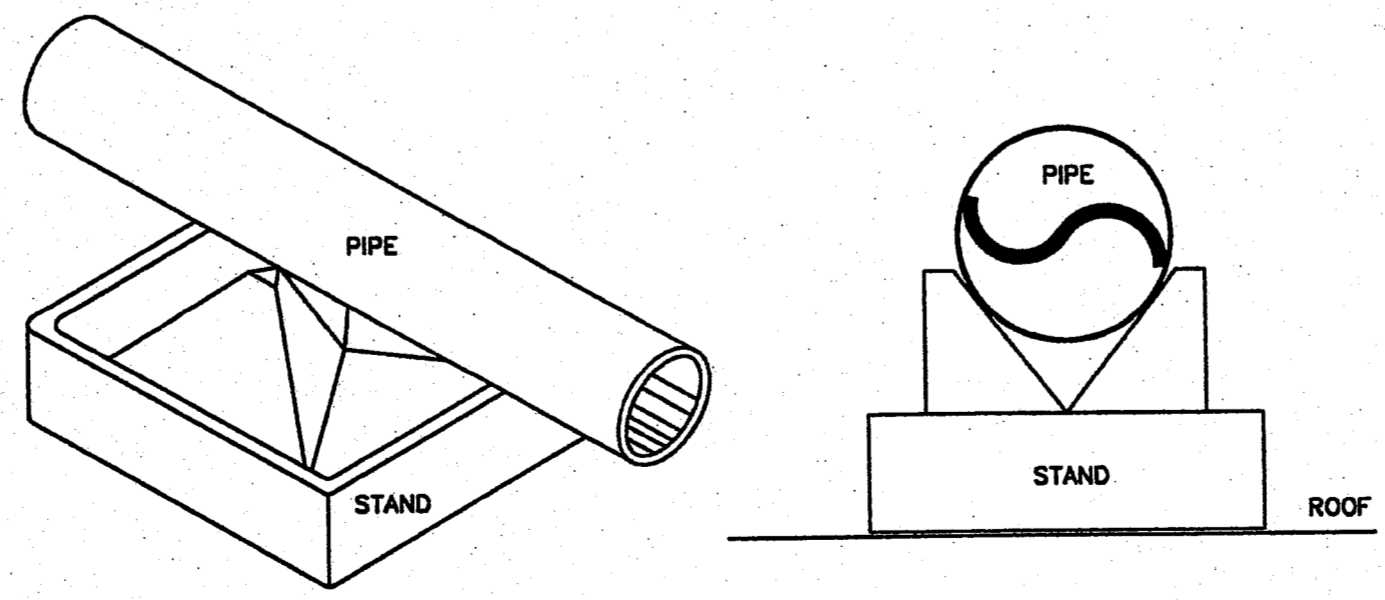
CONCRETE PAD AT WCM
NOT TO SCALE



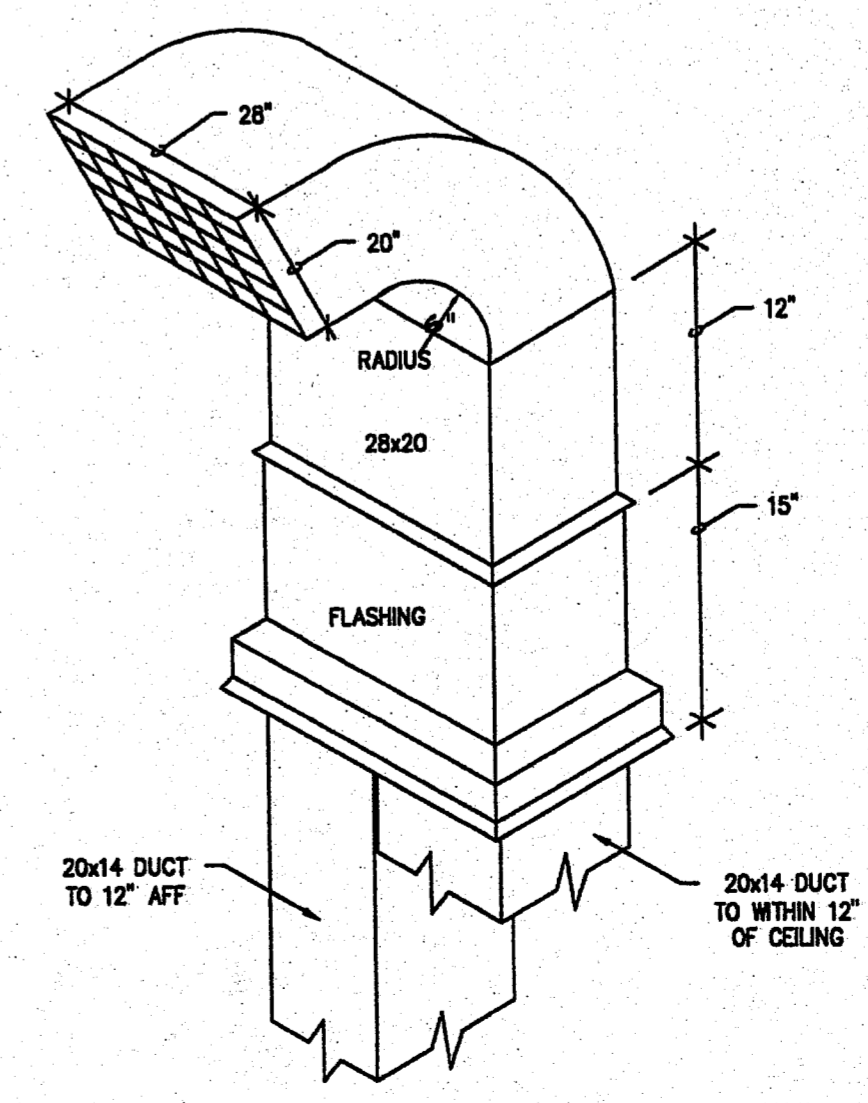
HOUSEKEEPING PAD
NOT TO SCALE



TYPICAL LOW PRESSURE BRANCH DUCT TAKE-OFF CONNECTION
NOT TO SCALE



PILLOW BLOCK PIPE STAND DETAIL
NOT TO SCALE



GOOSENECK COMB. AIR INTAKE
NOT TO SCALE

LLW, Inc.
803 SOUTH MT. MORIAH, STE 100B
MEMPHIS, TENNESSEE 38117-5343
901-683-7175/FAX 901-683-2385
LEONARD MESSINA, ARCHITECT

revisions:
OWNER REVIEW 5-21-91
CHG TO PRECAST 8-8-91

seal:

Sleep Inn
Jackson, Mississippi

title:
DETAILS

date: 8-22-91
job: 1697
file: 1697-A23
scale: 1/8" = 1'-0"

CONSULTANT
GE
Gala Engineering Inc.
7975 STAGE HILLS BLVD.
SUITE 5
MEMPHIS, TN. 38133
TEL. (901) 384-8400
FAX (901) 373-2255

sheet
M-6