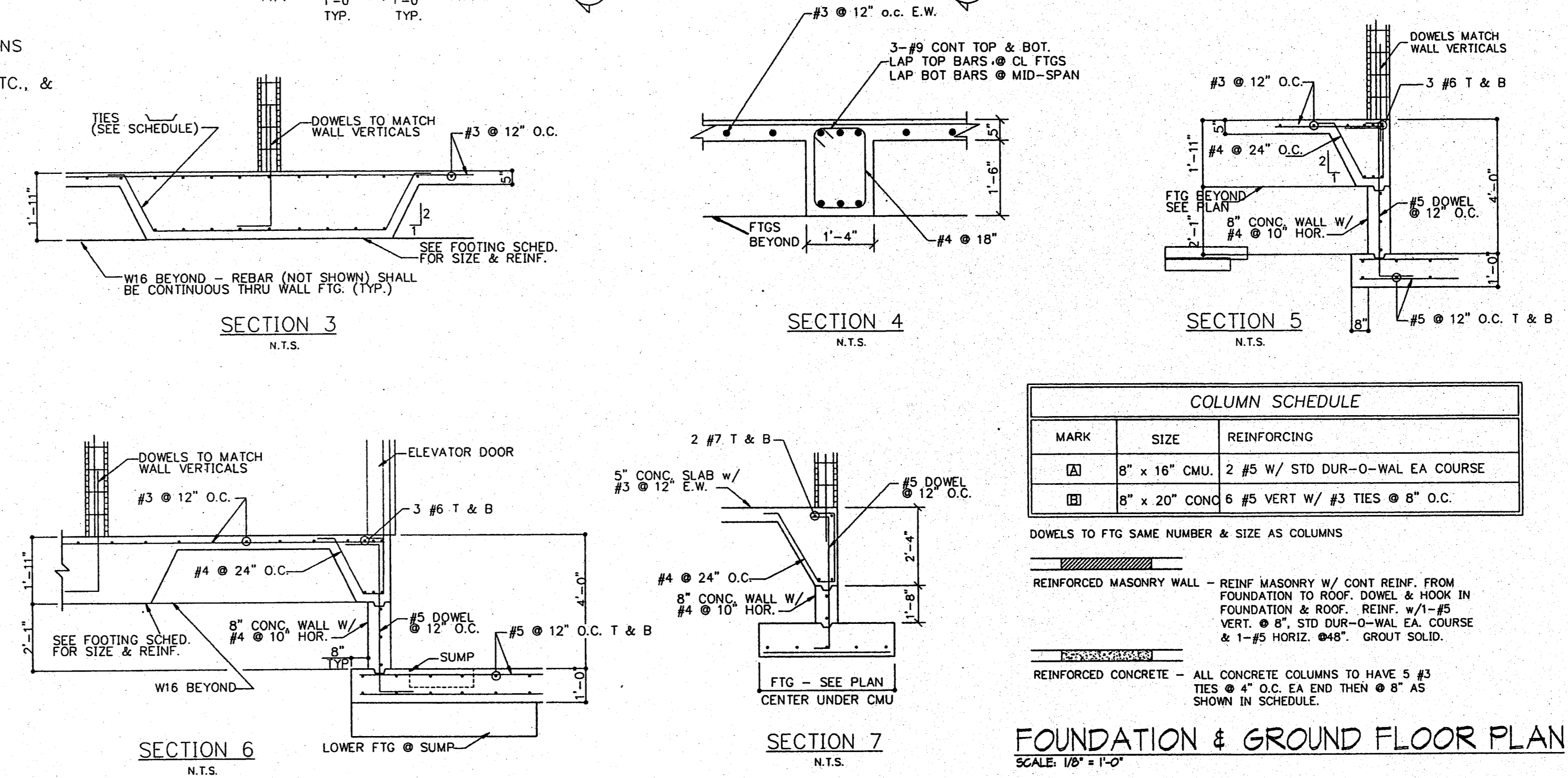


FOOTING SCHEDULE

MARK	SIZE L x W x D	REINFORCING
W12	1'-0" x CONT x 2'-4"	3 #6 x CONT T & B W #4 TIES @ 18" O.C.
W16	1'-4" x CONT x 23"	3 #9 x CONT T & B W #4 TIES @ 18" O.C.
W24	2'-0" x CONT x 2'-4"/1'-0"	3 #6 x CONT T & B W #4 TIES @ 18" O.C.
W24A	2'-0" x CONT x 12"	3 #6 x CONT T & B W #4 TIES @ 18" O.C.
W24B	1'-0"/2'-0" x CONT x 2'-4"	3 #9 x CONT T & B W #4 TIES @ 18" O.C.
W27	2'-3" x CONT x 2'-4"/1'-0"	3 #6 x CONT T & B W #4 TIES @ 18" O.C.
W28	2'-4" x CONT x 12"	3 #6 x CONT T & B W #4 TIES @ 18" O.C.
W32	2'-4" x CONT x 2'-4"/1'-0"	4 #6 x CONT T & B W #4 TIES @ 18" O.C.
W38	4'-0" x CONT x 2'-4"/1'-0"	5 #7 x CONT T & B W #4 TIES @ 18" O.C.
W48A	4'-0" x CONT x 12"	5 #5 x CONT T & B W #4 TIES @ 12" O.C.
W57	4'-9" x CONT x 23"	5 #7 x CONT T & B W #4 TIES @ 12" O.C.
W60	5'-0" x CONT x 23"	6 #7 x CONT T & B W #5 TIES @ 12" O.C.
W69	5'-9" x CONT x 23"	6 #5 x CONT T & B W #5 TIES @ 12" O.C.
W72	6'-0" x CONT x 15"	7 #7 x CONT T & B W #5 TIES @ 12" O.C.
W75	6'-3" x CONT x 23"	7 #5 x CONT T & B W #5 TIES @ 12" O.C.
W78	6'-6" x CONT x 23"	7 #7 x CONT T & B W #5 TIES @ 12" O.C.
F36	3'-0"x3'-0"x2'-4"/1'-0"	3 #5 x 2'-6" EA WAY T & B
F54	4'-6" x 4'-6" x 12"	6 #6 x 4'-0" EA WAY T & B
F72	6'-0" x 6'-0" x 23"	7 #6 x 5'-6" EA WAY T & B
F81	6'-9" x 6'-9" x 23"	7 #6 x 6'-3" EA WAY T & B
F14472	12'-0" x 6'-0" x 15"	7 #6 x 11'-6" T & B 13 #6 x 9'-6" T & B



COLUMN SCHEDULE

MARK	SIZE	REINFORCING
(A)	8" x 16" CMU.	2 #5 W/ STD DUR-O-WAL EA COURSE
(B)	8" x 20" CONC	6 #5 VERT W/ #3 TIES @ 8" O.C.

DOWELS TO FTG SAME NUMBER & SIZE AS COLUMNS

REINFORCED MASONRY WALL - REINF MASONRY W/ CONT REINF. FROM FOUNDATION TO ROOF. DOWEL & HOOK IN FOUNDATION & ROOF. REINF. W/ #5 VERT. @ 8" STD DUR-O-WAL EA. COURSE & 1-#5 HORIZ. @ 48". GROUT SOLID.

REINFORCED CONCRETE - ALL CONCRETE COLUMNS TO HAVE 5 #3 TIES @ 4" O.C. EA END THEN @ 8" AS SHOWN IN SCHEDULE.

FOUNDATION & GROUND FLOOR PLAN
 SCALE: 1/8" = 1'-0"

5" CONCRETE SLAB
 REINF: #3 @ 12" EA WAY
 FIN SLAB ELEV. - 0.00
 TOP OF ALL FOOTINGS @ GROUND FLOOR SLAB LEVEL TYP
 UNLESS OTHERWISE NOTED

revisions:

seal:

Steep Inn
 Jackson, Mississippi

title:
 FOUNDATION & GROUND FLOOR PLAN

date: 8-22-97
 job: 1697
 file: 97558-SI
 scale: 1/8"=1'-0"

sheet
 S-1